

US00D545219S

(12) **United States Design Patent**
Troost et al.

(10) **Patent No.:** **US D545,219 S**
(45) **Date of Patent:** **** Jun. 26, 2007**

(54) **DUAL COMPARTMENTED CONTAINER**

(75) Inventors: **Erik Herman Troost**, Amsterdam (NL); **Joseph Brain**, Bussum (NL); **Lewis Michael Popplewell**, Morganville, NJ (US); **Kaiping Lee**, Morganville, NJ (US)

(73) Assignee: **International Flavors & Fragrances Inc.**, New York, NY (US)

(**) Term: **14 Years**

(21) Appl. No.: **29/217,412**

(22) Filed: **Nov. 17, 2004**

(51) **LOC (8) Cl.** **09-01**

(52) **U.S. Cl.** **D9/738; D9/560**

(58) **Field of Classification Search** D9/737-747, D9/516-517, 523, 528-532, 541-543, 544, D9/546-547, 560, 569, 572-575; 215/6, 215/10, 2.1-12.2, 13.1, 381-384

See application file for complete search history.

(56) **References Cited**

U.S. PATENT DOCUMENTS

2,661,870	A *	12/1953	Huenergardt	215/6 X
2,941,696	A *	6/1960	Homm	222/136
3,889,834	A *	6/1975	Harris, Jr.	215/10
D237,587	S *	11/1975	Yukimitsu	D9/572
D241,516	S *	9/1976	Harris, Jr.	D9/531
D244,992	S *	7/1977	Van der Veken	D9/741 X
D245,149	S *	7/1977	Hartung	D9/524
4,296,838	A *	10/1981	Cohen	215/6 X

D264,432	S *	5/1982	Hestehave et al.	D9/527
D286,024	S *	10/1986	Murukurthy	D9/560 X
D294,803	S *	3/1988	Richter et al.	D9/524
D311,862	S *	11/1990	Cullis	D7/300
5,158,209	A *	10/1992	Reil et al.	215/6 X
5,259,536	A *	11/1993	Reyman	222/207
5,398,846	A *	3/1995	Corba et al.	222/1
5,767,055	A *	6/1998	Choy et al.	510/406
D407,020	S *	3/1999	Doty	D9/745 X
D422,494	S *	4/2000	Killinger et al.	D9/743
D430,798	S *	9/2000	Stevens et al.	D9/741
6,213,358	B1 *	4/2001	Libit et al.	222/633
D451,812	S *	12/2001	Colonna de Giovellina	.	D9/560

* cited by examiner

Primary Examiner—Carol Rademaker

(74) *Attorney, Agent, or Firm*—Elizabeth Quirk; Joseph F. Leightner

(57) **CLAIM**

The ornamental design for a dual compartmented container, as shown herein.

DESCRIPTION

FIG. 1 is a top, front, and right side perspective view of the dual compartmented container of our invention;

FIG. 2 is a front elevational view thereof;

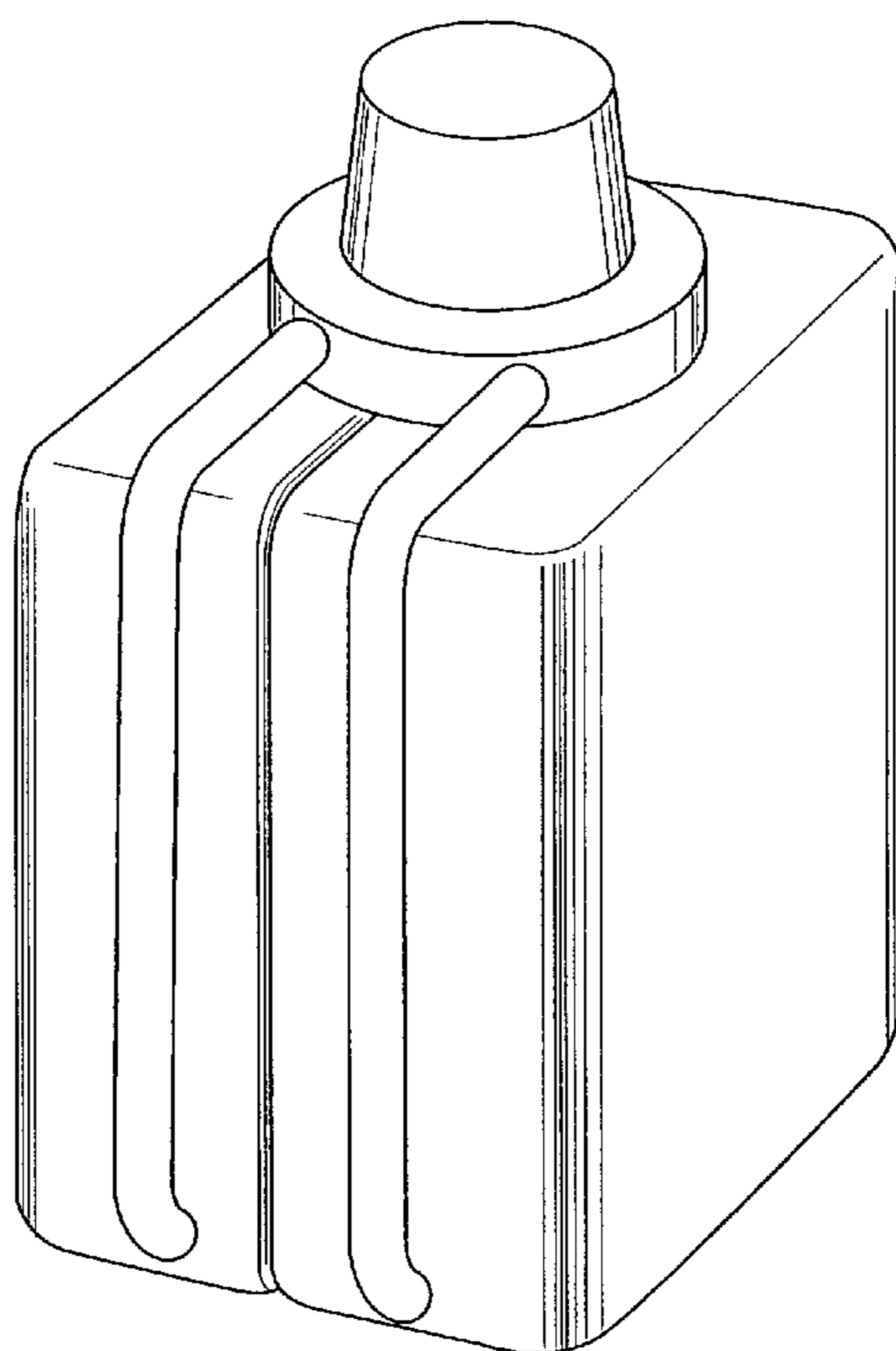
FIG. 3 is a rear elevational view thereof;

FIG. 4 is a top plan view thereof;

FIG. 5 is a bottom plan view thereof; and,

FIG. 6 is a left side view thereof.

1 Claim, 2 Drawing Sheets



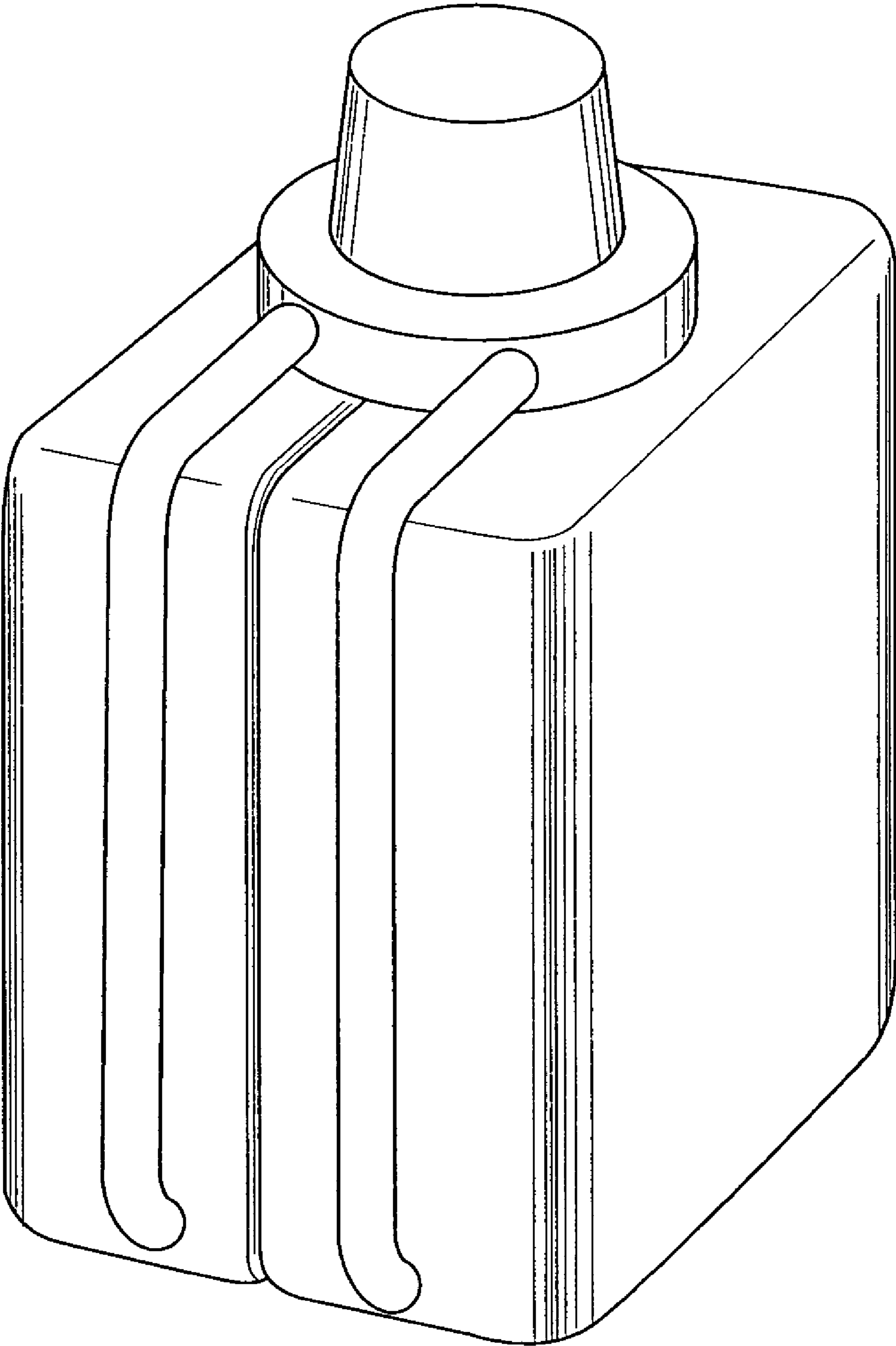


FIG. 1

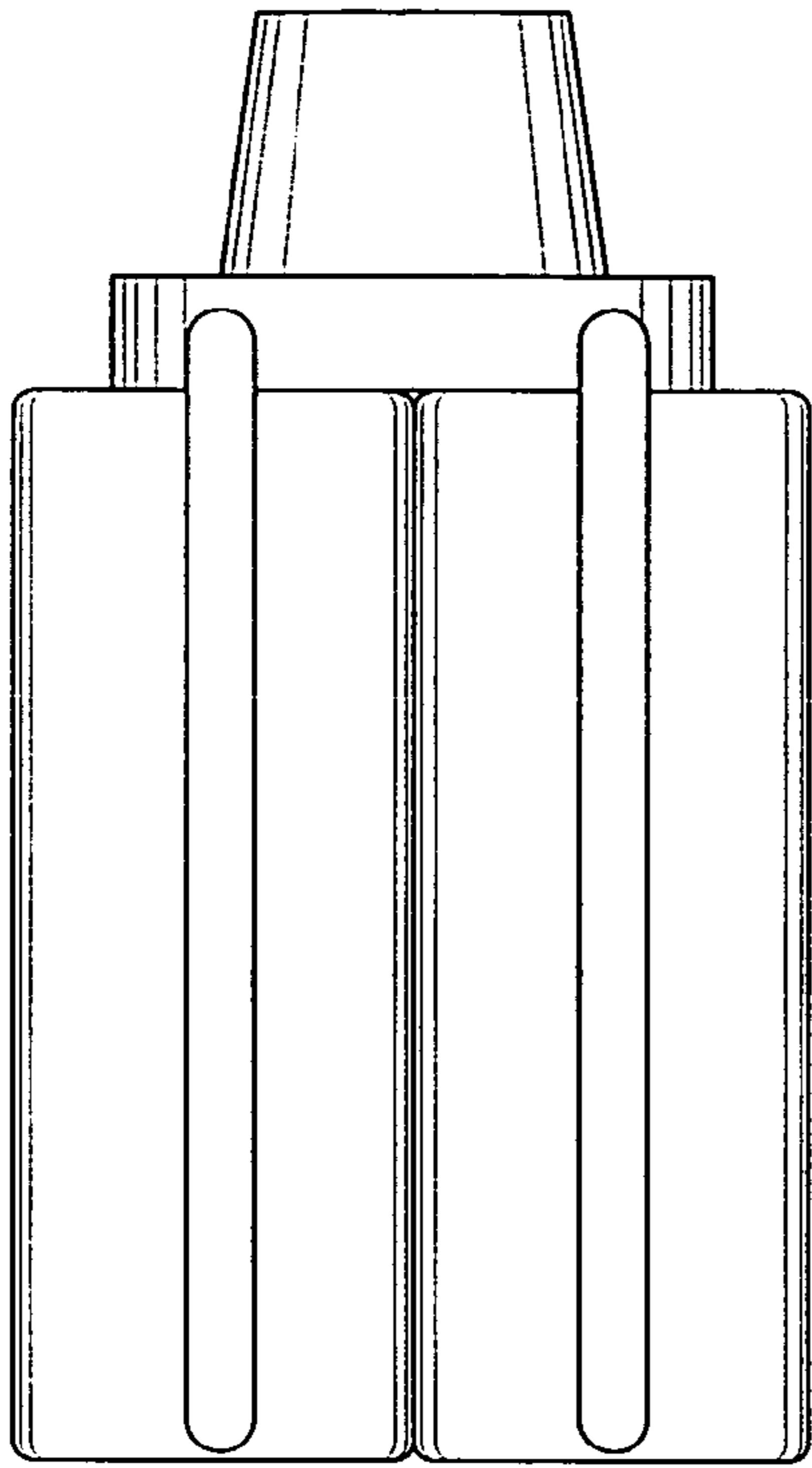


FIG. 2

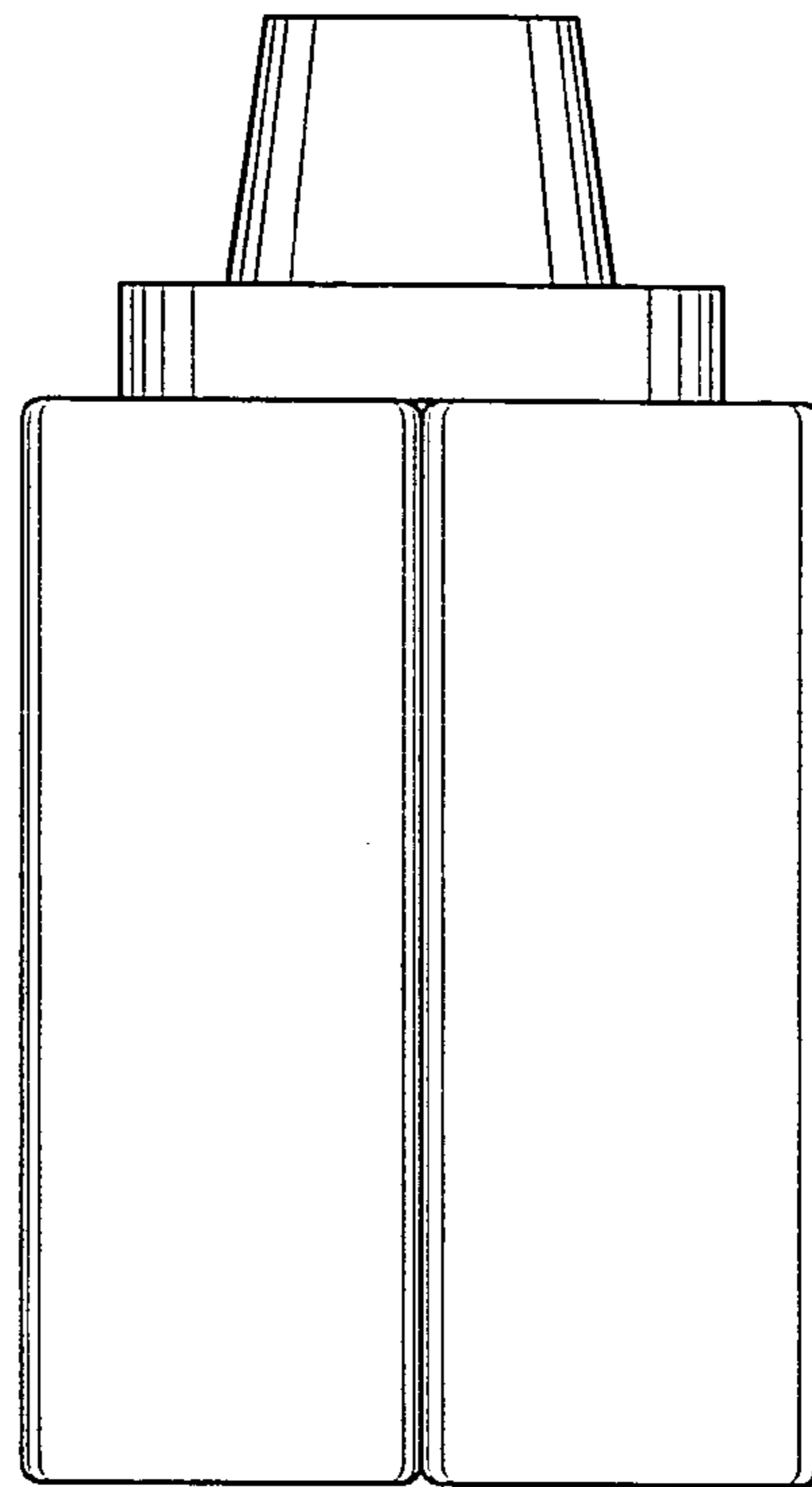


FIG. 3

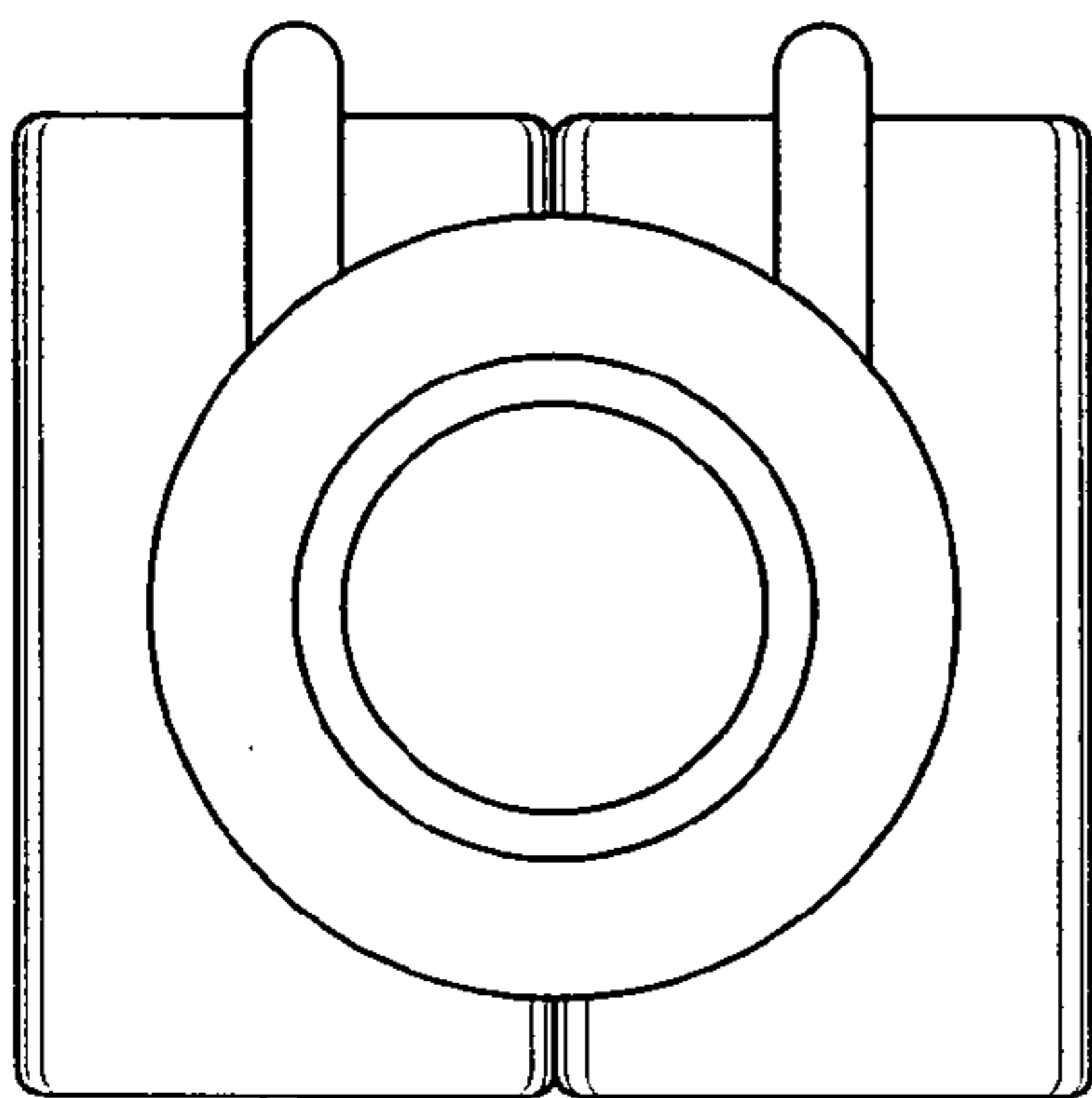


FIG. 4

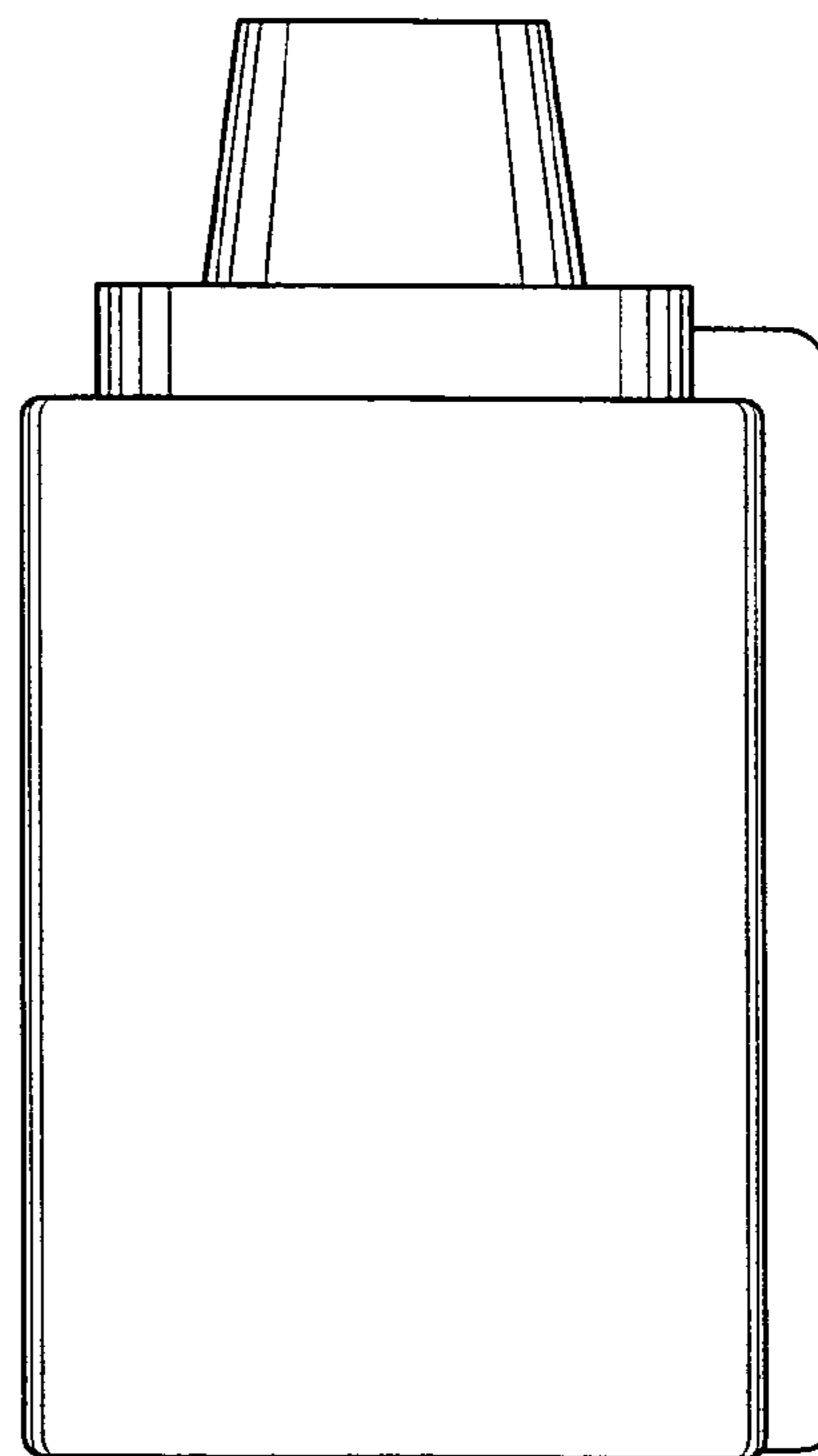


FIG. 6

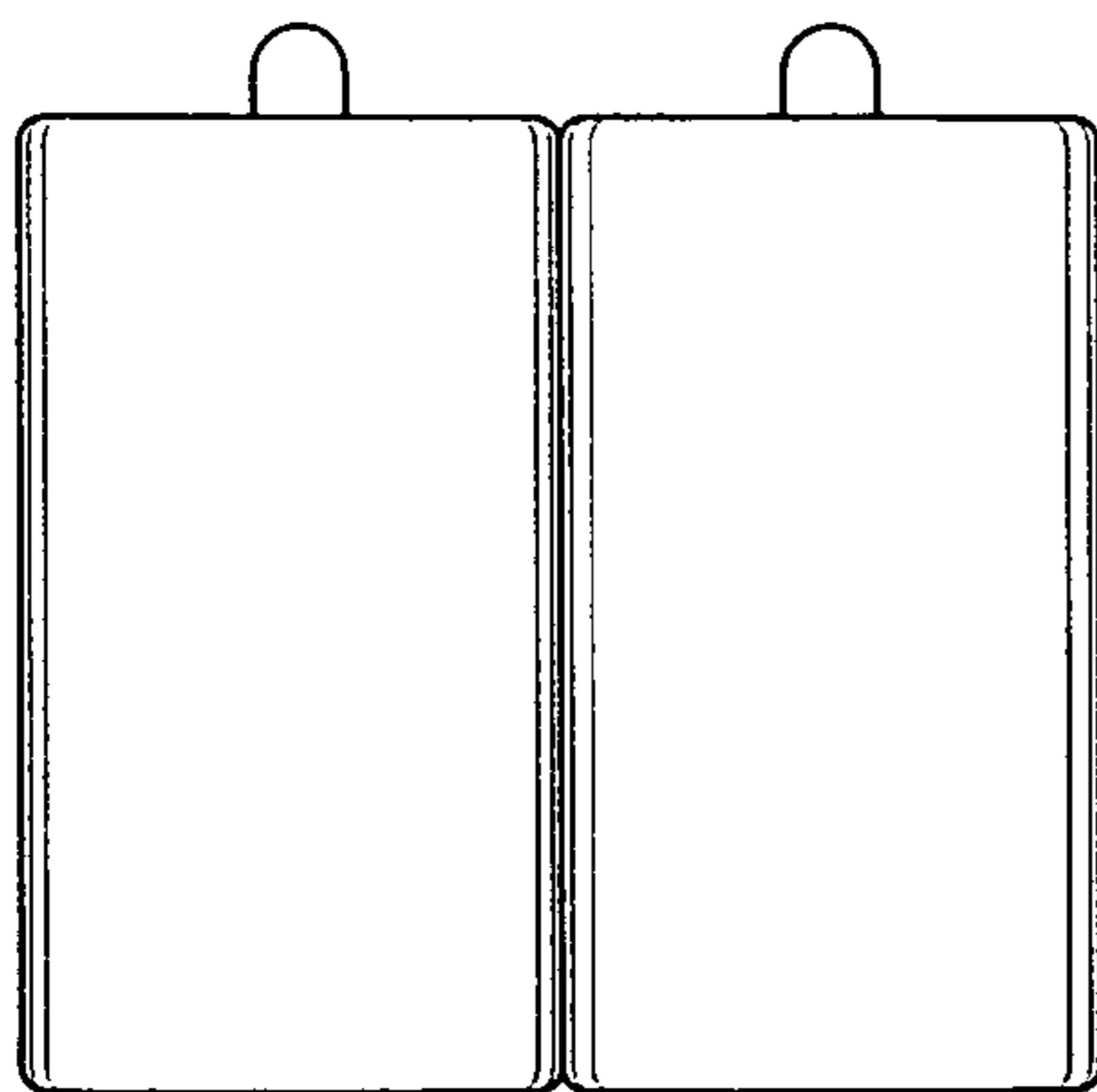


FIG. 5