



US00D545196S

(12) **United States Design Patent**  
**Costello et al.**

(10) **Patent No.:** **US D545,196 S**  
(45) **Date of Patent:** **\*\* Jun. 26, 2007**

(54) **BOTTLE**

D522,876 S \* 6/2006 Braaten et al. .... D9/691  
D525,872 S \* 8/2006 Haubert et al. .... D9/529

(75) Inventors: **John C. Costello**, Wellesley, MA (US);  
**Alexandre Hennen**, Cambridge, MA  
(US)

(73) Assignee: **McNeil-PPC, Inc.**, Skillman, NJ (US)

(\*\*) Term: **14 Years**

(21) Appl. No.: **29/211,222**

(22) Filed: **Aug. 12, 2004**

(51) **LOC (8) Cl.** ..... **09-01**

(52) **U.S. Cl.** ..... **D9/516; D9/558; D9/574**

(58) **Field of Classification Search** ..... D9/682-694,  
D9/715, 718-719, 723-729, 434, 516, 541-544,  
D9/549, 551-552, 558, 567-568, 570, 572-575,  
D9/905; 215/12.1-12.2, 13.1, 382-384,  
215/396, 398

See application file for complete search history.

(56) **References Cited**

**U.S. PATENT DOCUMENTS**

D38,385 S \* 12/1906 Kohn ..... D9/542  
D46,285 S \* 8/1914 Mackenzie ..... D9/520  
D48,140 S \* 11/1915 Wolfson ..... D9/542  
D91,080 S \* 11/1933 Nitardy ..... D9/542  
D95,965 S \* 6/1935 Kihn ..... D9/541  
D108,727 S \* 3/1938 Dunnock ..... D9/542  
D127,711 S \* 6/1941 Foley ..... D9/505  
D414,117 S \* 9/1999 Mikla ..... D9/542  
D416,199 S \* 11/1999 Alguire et al. .... D9/542  
D428,342 S \* 7/2000 Stoller ..... D9/542  
D441,296 S \* 5/2001 Majerowski ..... D9/542  
D486,742 S \* 2/2004 Houghton ..... D9/542  
D505,079 S \* 5/2005 Mulder et al. .... D9/542  
D506,140 S \* 6/2005 Maus ..... D9/542  
D511,970 S \* 11/2005 Cleary ..... D9/542

**OTHER PUBLICATIONS**

U.S. Appl. No. 29/211,226, Tooth-Shaped Bottle Cap, filed Aug. 12, 2004.

U.S. Appl. No. 29/211,206, A Bottle, filed Aug. 12, 2004.

U.S. Appl. No. 29/211,223, Tooth-Shaped Bottle Cap, filed Aug. 12, 2004.

U.S. Appl. No. 29/211,227, Tooth-Shaped Bottle Cap, filed Aug. 12, 2004.

U.S. Appl. No. 29/211,205, A Bottle, filed Aug. 12, 2004.

\* cited by examiner

*Primary Examiner*—Carol Rademaker

(74) *Attorney, Agent, or Firm*—Karen G. Horowitz; Evan J. Federman

(57) **CLAIM**

The ornamental design for a bottle, as shown and described.

**DESCRIPTION**

FIG. 1 is a top, front, right side perspective view of the bottle;

FIG. 2 is a top plan view thereof;

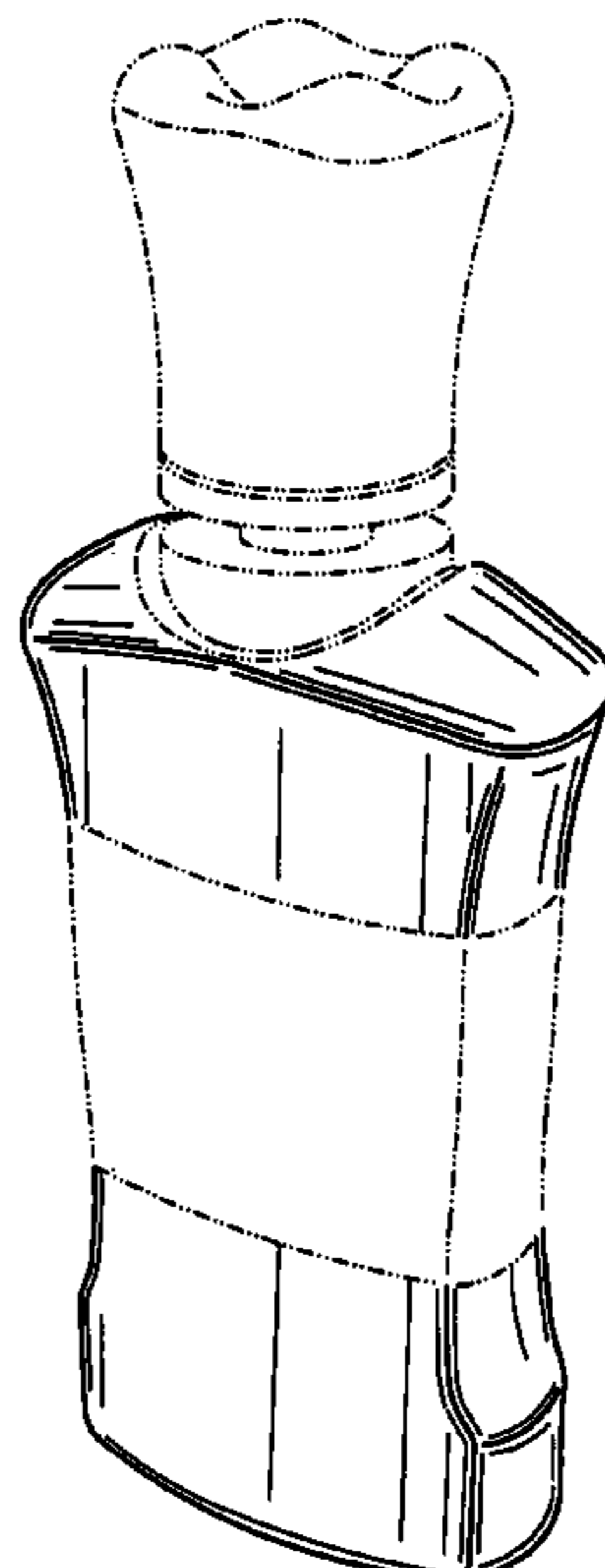
FIG. 3 is a front elevational view thereof, the rear elevational view being a mirror image;

FIG. 4 is a right side elevational view thereof, the left side elevational view being a mirror image; and,

FIG. 5 is a bottom plan view thereof.

The ornamental design which is claimed is shown in solid lines in the drawings. The broken lines in the drawings are for illustrative purposes only and form no part of the claimed design.

**1 Claim, 5 Drawing Sheets**



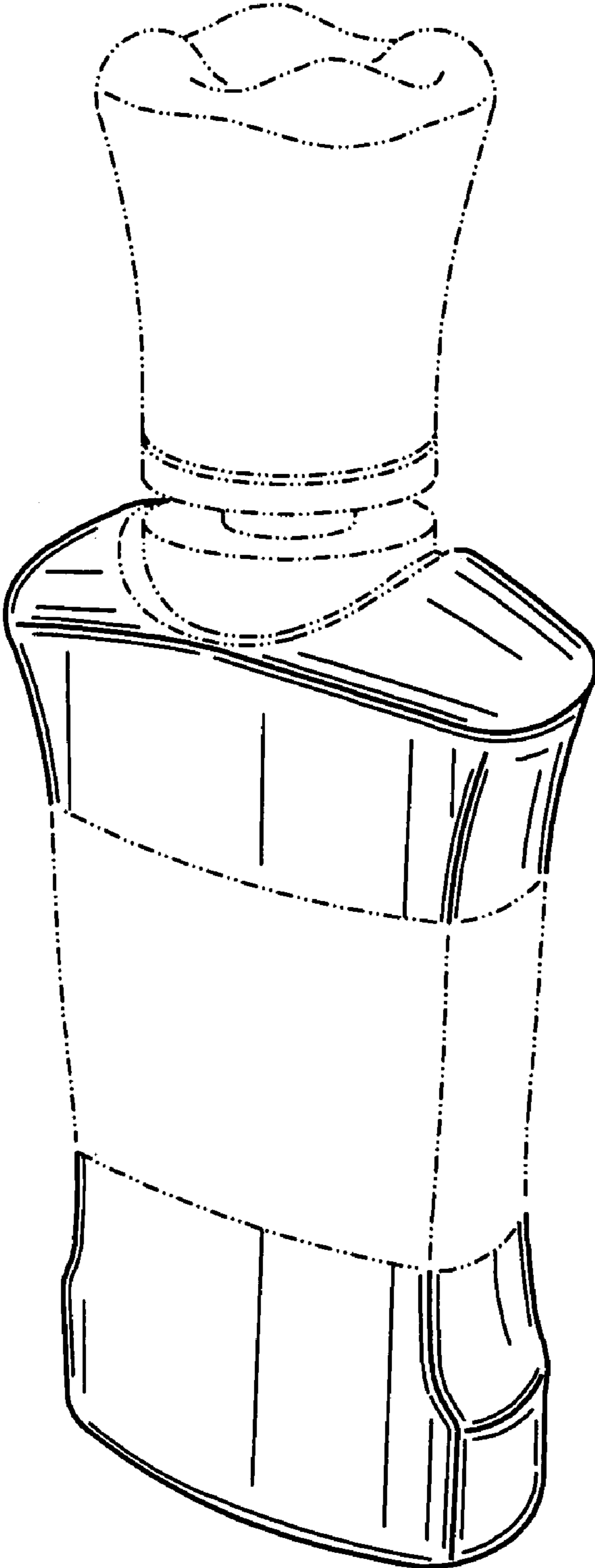


FIG. 1

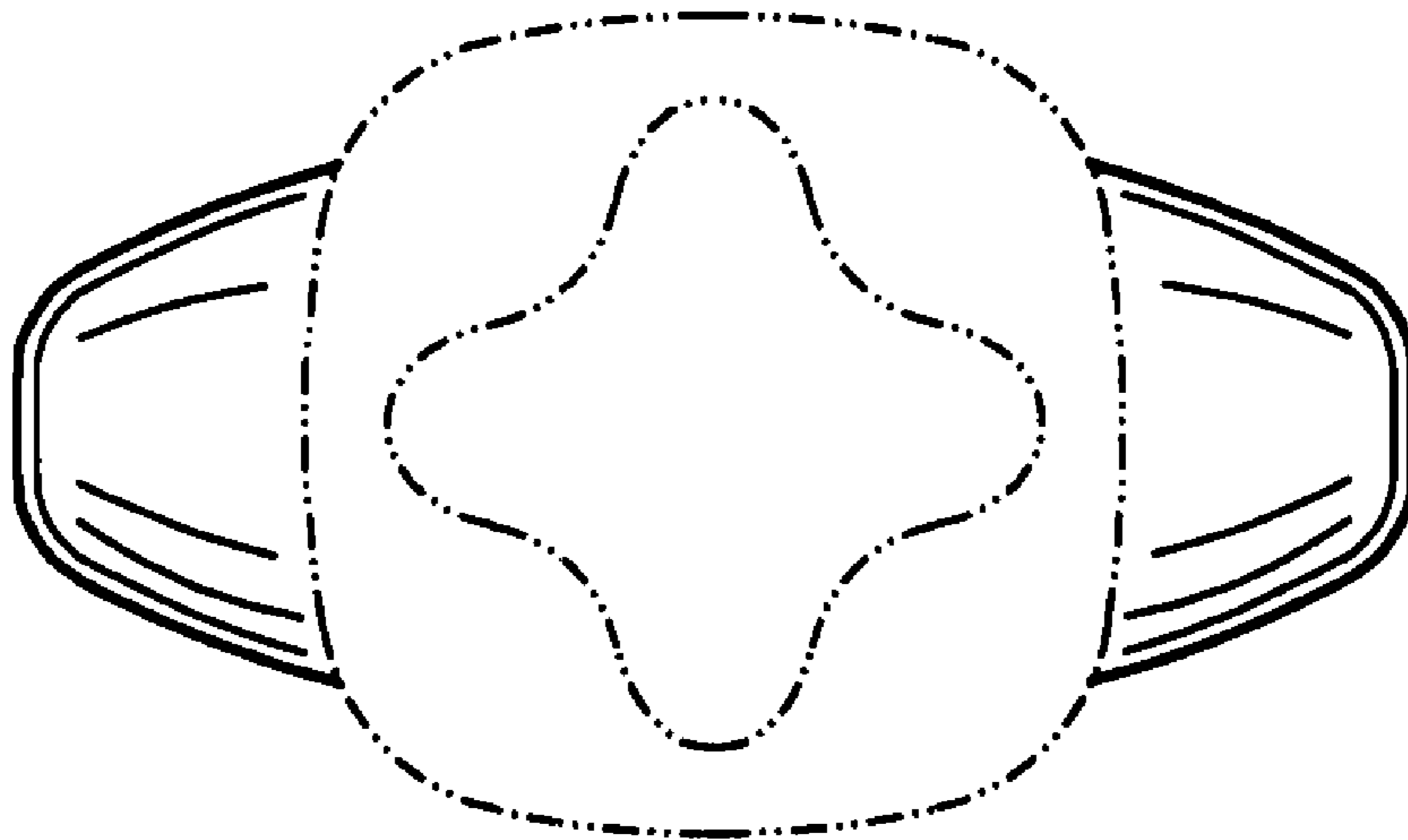


FIG. 2

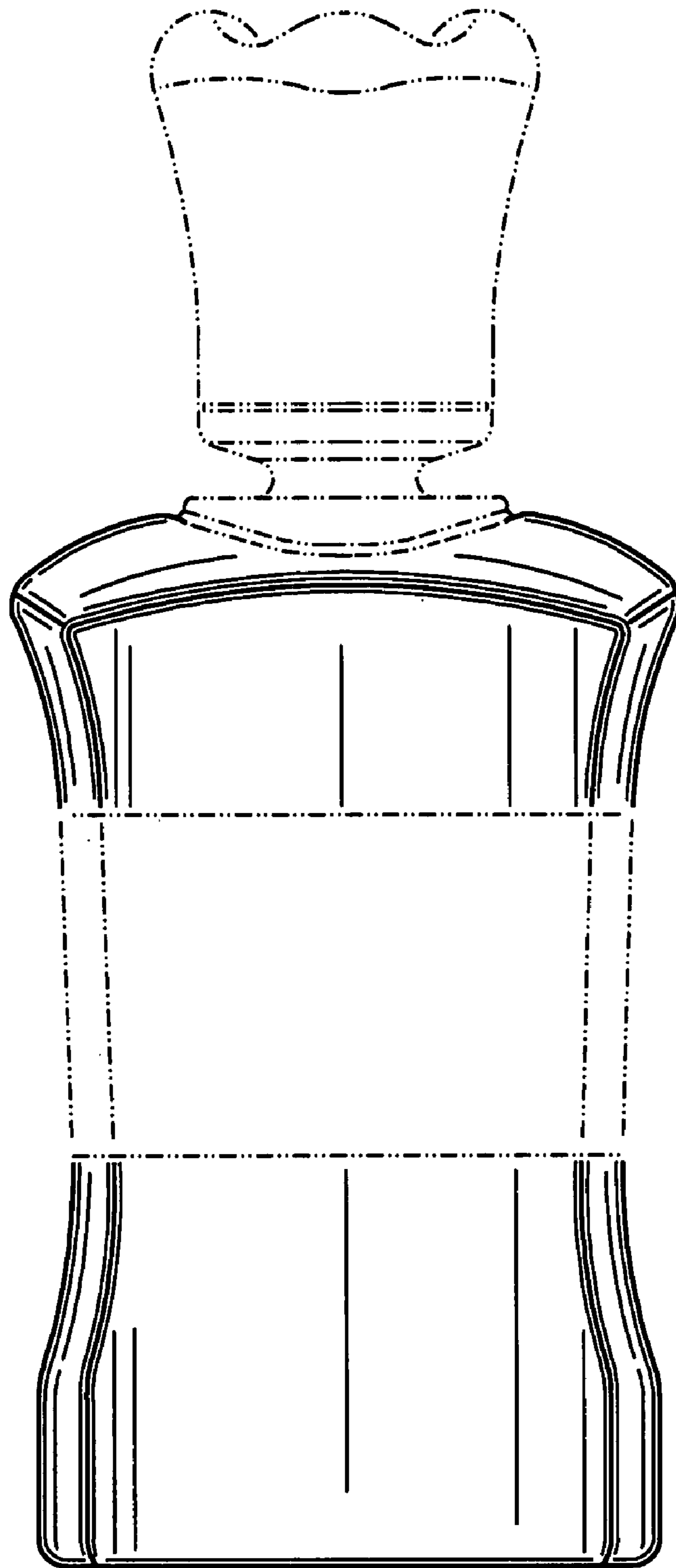


FIG. 3

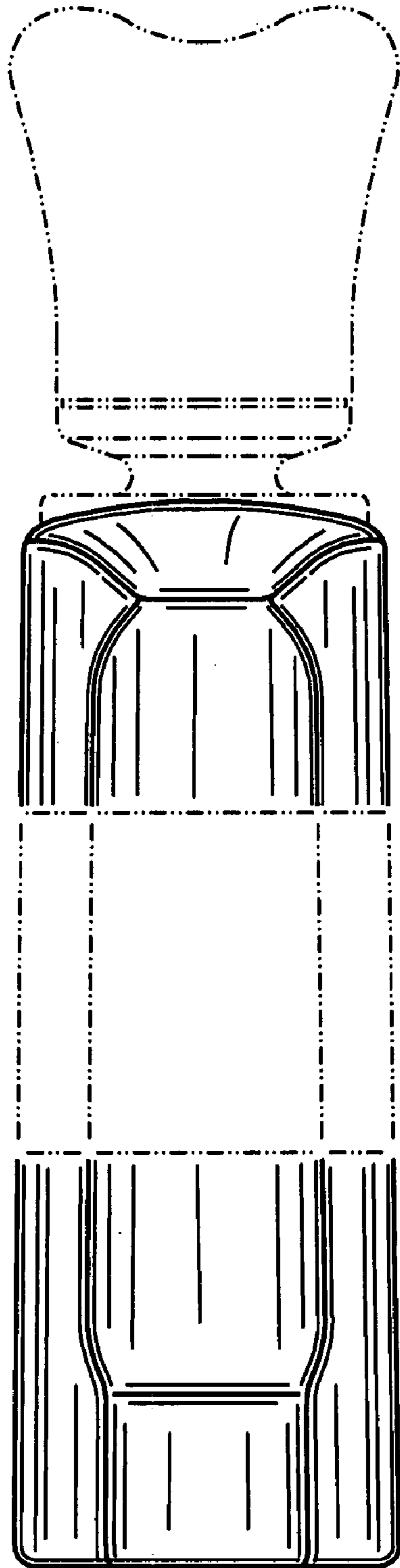


FIG. 4

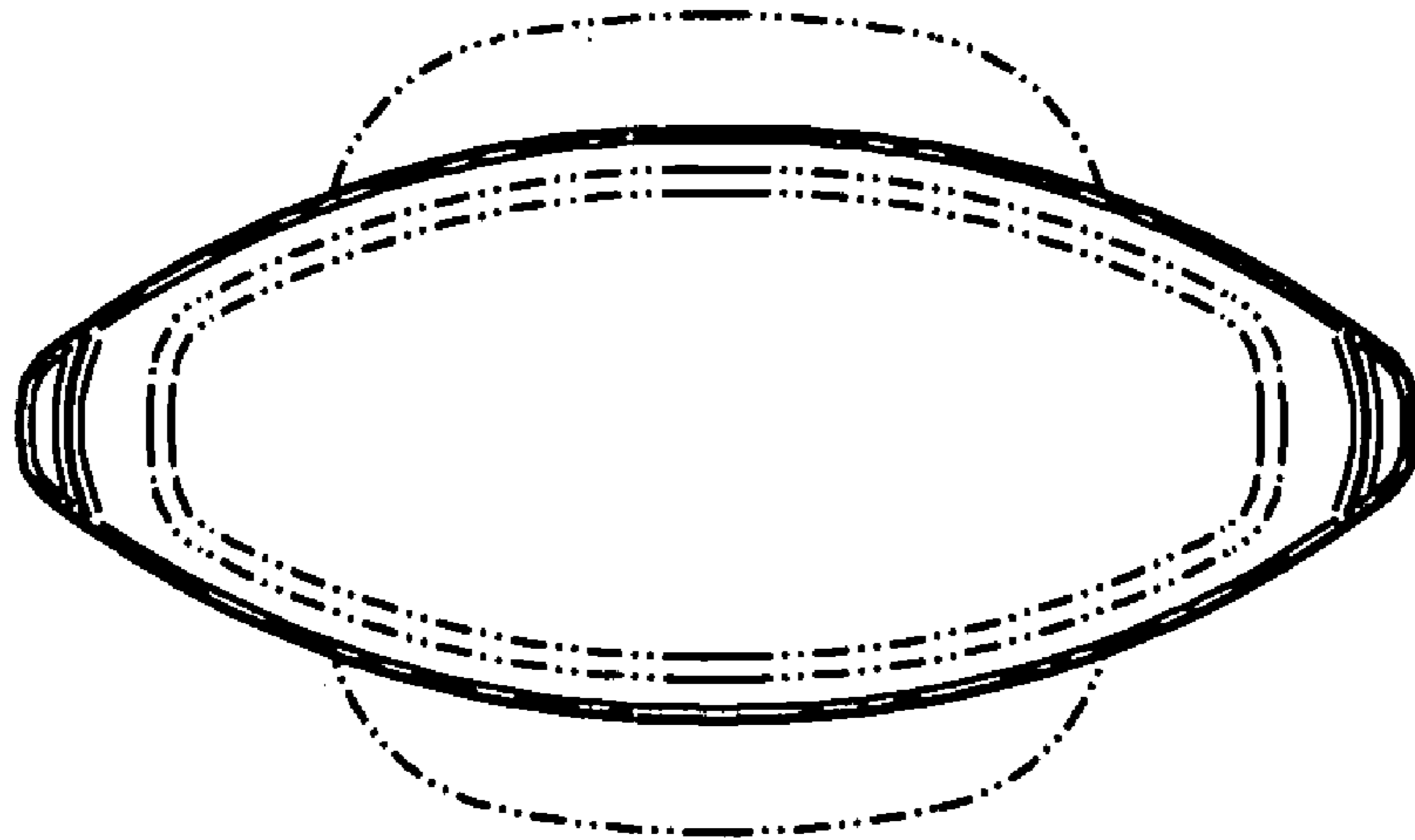


FIG. 5