



US00D545188S

(12) **United States Design Patent**
Billig et al.

(10) **Patent No.:** **US D545,188 S**
(45) **Date of Patent:** **** Jun. 26, 2007**

(54) **COMESTIBLE PRODUCT DISPENSER**

(75) Inventors: **Jason Billig**, Mount Vernon, NY (US);
Charles Curtiss, Norwalk, CT (US);
Stuart Leslie, Larchmont, NY (US);
Heather Fluegel, Chicago, IL (US)

(73) Assignee: **Wm. Wrigley, Jr. Company**, Chicago, IL (US)

(**) Term: **14 Years**

(21) Appl. No.: **29/225,097**

(22) Filed: **Mar. 9, 2005**

(51) **LOC (8) Cl.** **09-03**

(52) **U.S. Cl.** **D9/432**

(58) **Field of Classification Search** D9/430-433,
D9/414, 422, 423, 499, 455, 456, 643, 761,
D9/420, 762; 206/457, 458, 432, 582, 830,
206/459.5, 497, 521.1; 229/110-116, 100,
229/104, 8, 132, 124, 153, 800, 117.6; 220/DIG. 34
See application file for complete search history.

3,166,216 A	1/1965	Guarr	
3,301,437 A	1/1967	Faber	
3,344,951 A	10/1967	Gervais	
3,365,099 A	1/1968	McTaggart	
3,410,455 A	11/1968	Haas	
3,565,284 A	2/1971	Hinterreiter	
3,591,043 A	7/1971	Murphy	
3,612,348 A	10/1971	Thomas	
3,612,349 A	10/1971	Thomas	
3,777,961 A	12/1973	Blasheck	
3,807,601 A	4/1974	Frankenberg	
3,845,882 A	11/1974	Hass	
D250,171 S	11/1978	Yoshimoto	
D250,748 S	* 1/1979	Leger D9/420
4,168,786 A	9/1979	Veiniere	
4,171,753 A	10/1979	Vreede	
4,230,237 A	10/1980	de Wit	
4,282,990 A	8/1981	Miyashita	
4,354,619 A	10/1982	Wippermann et al.	
D270,028 S	8/1983	Vernin	

(Continued)

Primary Examiner—Stella Reid
Assistant Examiner—Mark Goodwin
(74) *Attorney, Agent, or Firm*—Bell, Boyd & Lloyd LLC

(56) **References Cited**

U.S. PATENT DOCUMENTS

939,252 A	11/1909	Hanna	
1,188,199 A	6/1916	Paquette	
1,247,225 A	11/1917	Cloovas	
1,485,716 A	3/1924	Rogers	
D83,042 S	* 1/1931	Goldberg D9/422
1,855,382 A	4/1932	Burroughs	
2,035,246 A	3/1936	Rea	
2,048,617 A	7/1936	O'Brien	
2,063,556 A	12/1936	O'Brien	
2,149,445 A	3/1939	Kreiten	
2,255,450 A	9/1941	Mutchler	
2,282,036 A	5/1942	Cobbs et al.	
2,619,226 A	* 11/1952	Adams 221/63
2,669,349 A	2/1954	Silver	
2,877,927 A	3/1959	King, Jr.	
2,899,047 A	8/1959	Butner et al.	
3,040,929 A	6/1962	Tapper	
3,059,762 A	10/1962	Yoshimoto	
3,159,308 A	12/1964	Passavanti	

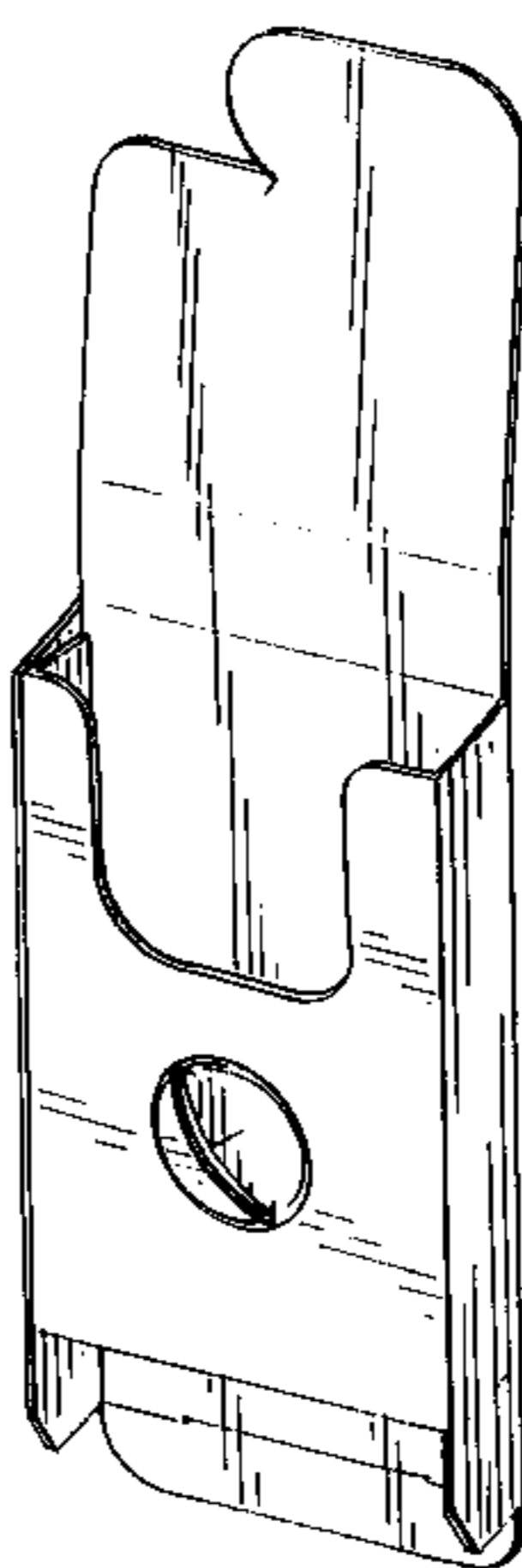
(57) **CLAIM**

We claim the ornamental design for a comestible product dispenser, as shown and described herein.

DESCRIPTION

FIG. 1 is a front perspective view of a dispenser showing our new design
FIG. 2 is a plan view thereof;
FIG. 3 is a right elevation view thereof;
FIG. 4 is a front elevation view thereof;
FIG. 5 is a left elevation view thereof;
FIG. 6 is a rear elevation view thereof;
FIG. 7 is a bottom view thereof;
FIG. 8 is a front perspective view of the dispenser in an open position; and,
FIG. 9 is a front perspective view of the dispenser in an open position.

1 Claim, 2 Drawing Sheets



US D545,188 S

Page 2

U.S. PATENT DOCUMENTS							
4,418,838	A	12/1983	Gallina	6,220,480	B1	4/2001	Stankus et al.
4,492,316	A	1/1985	Emms	6,230,931	B1	5/2001	Mandle et al.
4,530,445	A	7/1985	Decker	6,273,294	B1	8/2001	Petzold et al.
4,589,573	A	5/1986	Tada	D454,303	S	* 3/2002	Sipinen D9/422
4,724,984	A	2/1988	Wilken et al.	6,401,970	B1	6/2002	Harris et al.
5,048,720	A	9/1991	Hoke	6,425,495	B1	7/2002	Senda et al.
5,071,033	A	12/1991	Siwek	D463,975	S	* 10/2002	Sipinen D9/733
5,080,258	A	1/1992	Hinterreiter	6,543,639	B1	4/2003	Kovens
5,275,291	A	1/1994	Sledge	D475,917	S	6/2003	Grant
5,351,858	A	10/1994	Bar-Yona et al.	D479,464	S	* 9/2003	Kopecky D9/432
5,405,047	A	4/1995	Hansen	D484,046	S	* 12/2003	Kopecky D9/432
5,460,295	A	10/1995	Law	D485,490	S	1/2004	Grant
5,785,206	A	7/1998	Chan	D485,750	S	1/2004	Grant
5,816,441	A	10/1998	Farside	D485,751	S	1/2004	Grant
5,931,302	A	8/1999	Isaacs et al.	2002/0175180	A1	11/2002	Evans et al.
5,954,228	A	9/1999	Minnette	2003/0234260	A1	12/2003	Giraud
6,068,126	A	5/2000	DeJonge	2004/0004083	A1	1/2004	Grant
D434,652	S	* 12/2000	Mori D9/423				* cited by examiner

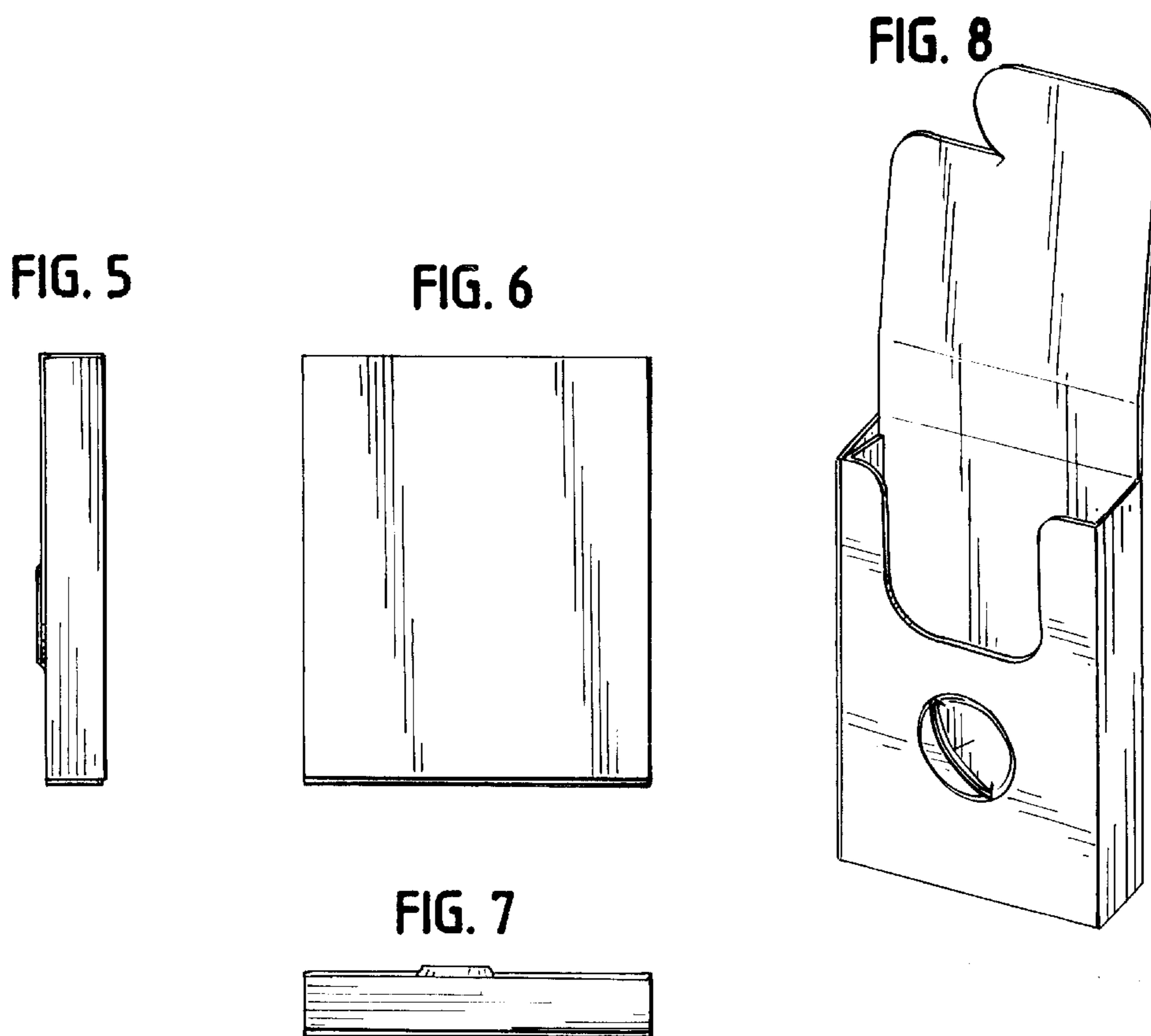
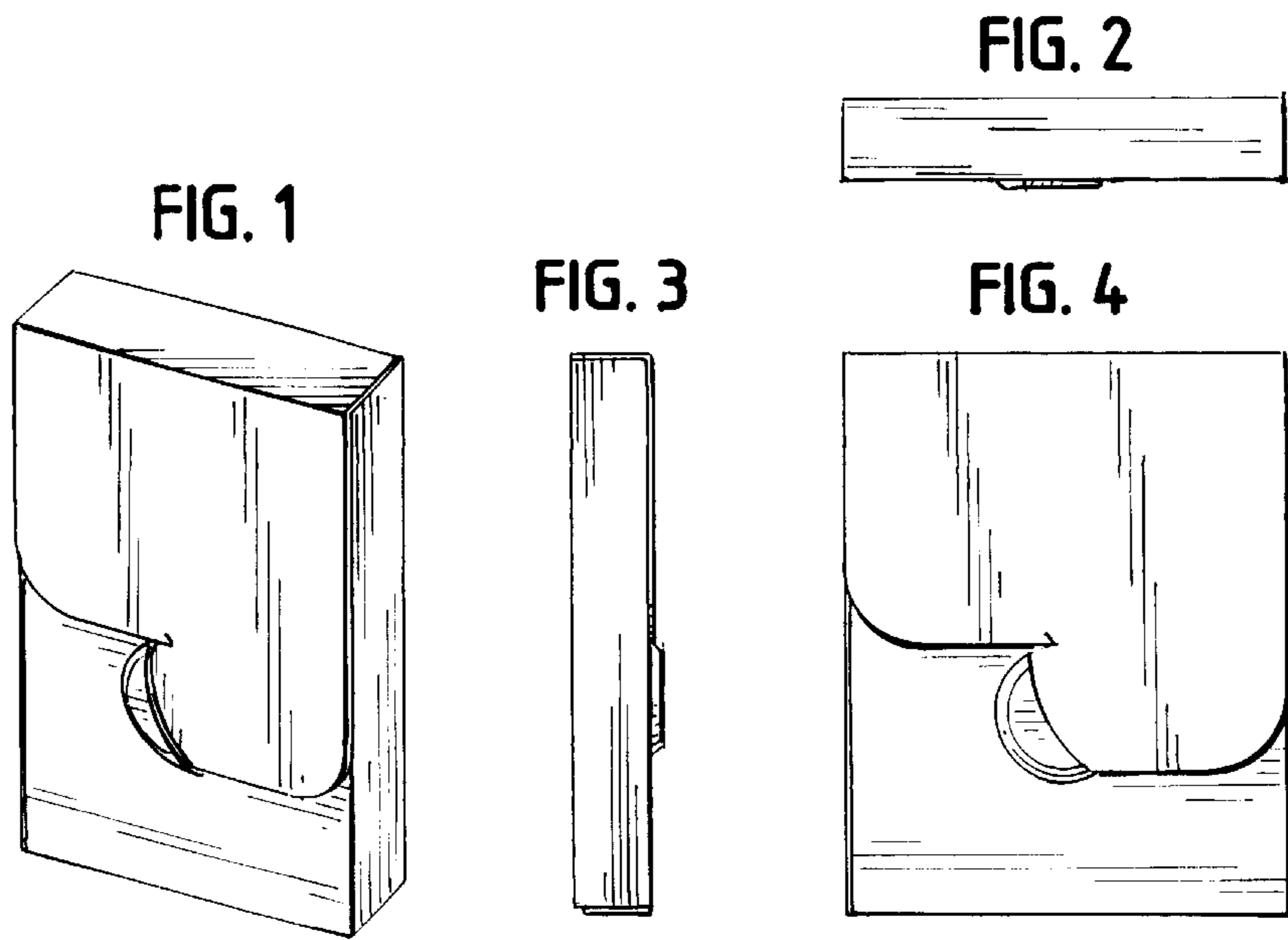


FIG. 9

