



US00D545187S

(12) **United States Design Patent**
Kutsch et al.

(10) **Patent No.:** **US D545,187 S**
(45) **Date of Patent:** **** Jun. 26, 2007**

(54) **CONTAINER**

(75) Inventors: **John H. Kutsch**, Crystal Lake, IL
(US); **Rutger Thiellier**, Chicago, IL
(US); **Andrew Vest**, Midlothian, VA
(US)

(73) Assignee: **Philip Morris USA, Inc.**, Richmond,
VA (US)

(**) Term: **14 Years**

(21) Appl. No.: **29/231,142**

(22) Filed: **Jun. 2, 2005**

(51) **LOC (8) Cl.** **09-03**

(52) **U.S. Cl.** **D9/422**

(58) **Field of Classification Search** D9/414,
D9/417, 420-435, 440, 447, 499, 760-770,
D9/756; 206/37, 494, 527, 499-502, 457;
220/620, 656, 659, 669, 765, 890; 229/400-404,
229/939, 915, 116.5, 201, 100, 123-126,
229/188

See application file for complete search history.

(56) **References Cited**

U.S. PATENT DOCUMENTS

1,163,773	A *	12/1915	Ross	206/1.5
1,163,775	A *	12/1915	Rouse	206/1.5
3,833,143	A *	9/1974	Starkermann et al.	220/351
3,987,891	A *	10/1976	Horvath	206/1.5
4,076,117	A	2/1978	Wisdom et al.		
4,113,098	A	9/1978	Howard		
4,126,244	A	11/1978	Elser		
4,174,034	A	11/1979	Hoo		
D261,110	S *	10/1981	Yoshimoto	D9/432
4,364,488	A	12/1982	Anjou		
4,485,915	A	12/1984	Berghahn		
4,561,544	A	12/1985	Reeve		
4,691,456	A *	9/1987	Ackeret	40/721
4,844,284	A	7/1989	Drozdz et al.		

5,080,222	A	1/1992	McNary		
5,082,137	A	1/1992	Weinstein		
5,275,291	A	1/1994	Sledge		
D352,895	S	11/1994	van Loo		
D407,972	S	4/1999	Hilton		
D442,744	S *	5/2001	Goswell	D28/82
D446,718	S	8/2001	Anderson		
D451,799	S	12/2001	Berger et al.		
6,341,693	B2	1/2002	Konno et al.		
6,341,710	B1	1/2002	Danielson et al.		
D460,352	S	7/2002	Bried		
D465,729	S	11/2002	Nishimura		

(Continued)

Primary Examiner—Stella Reid
Assistant Examiner—Thomas Johannes
(74) *Attorney, Agent, or Firm*—Buchanan Ingersoll &
Rooney PC

(57) **CLAIM**

The ornamental design for a container, as shown and described.

DESCRIPTION

FIG. 1 is a front, top perspective view of a container showing my new design.

FIG. 2 is a top plan view thereof.

FIG. 3 is a bottom plan view thereof.

FIG. 4 is a front elevational view thereof.

FIG. 5 is a rear elevational view thereof.

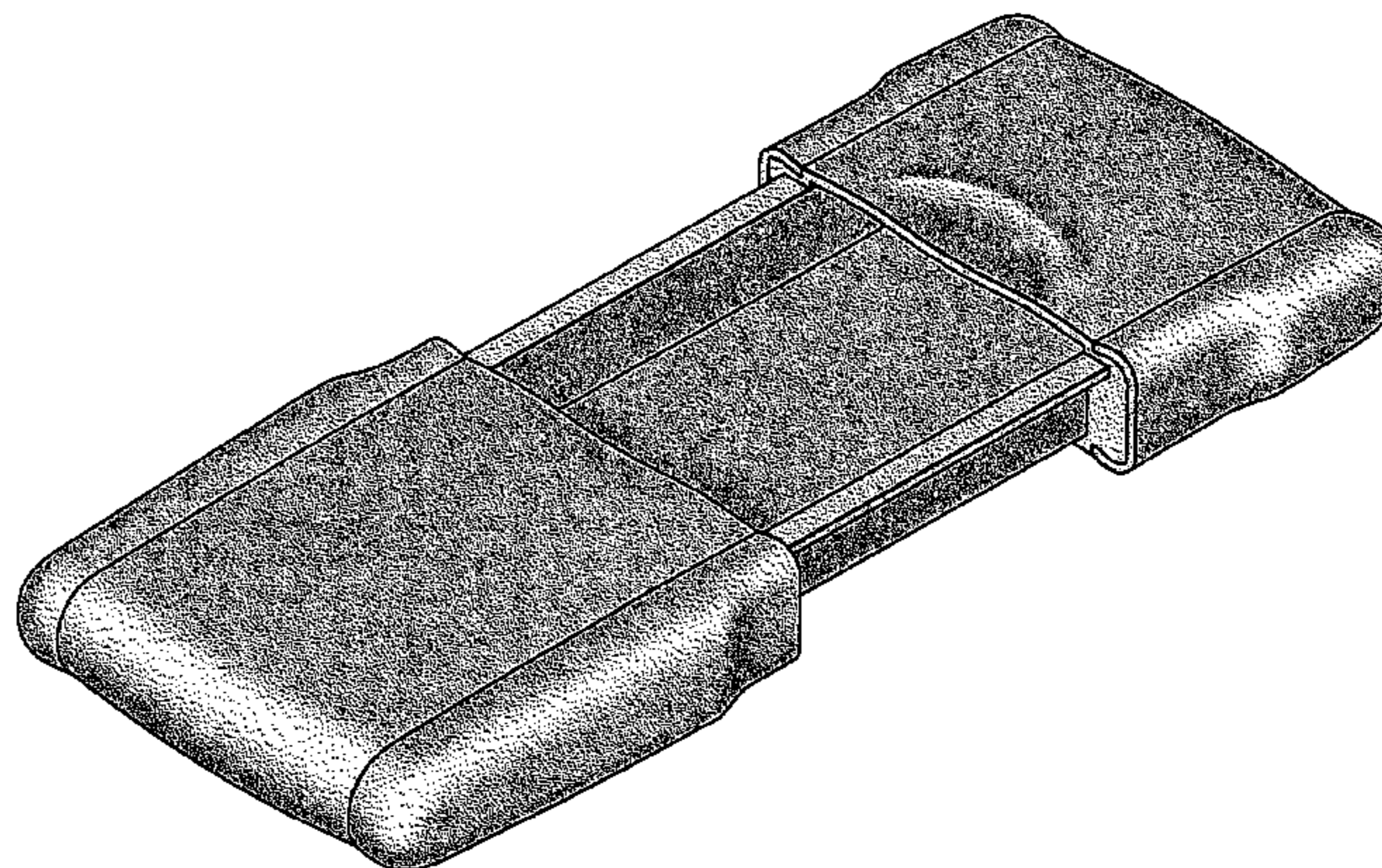
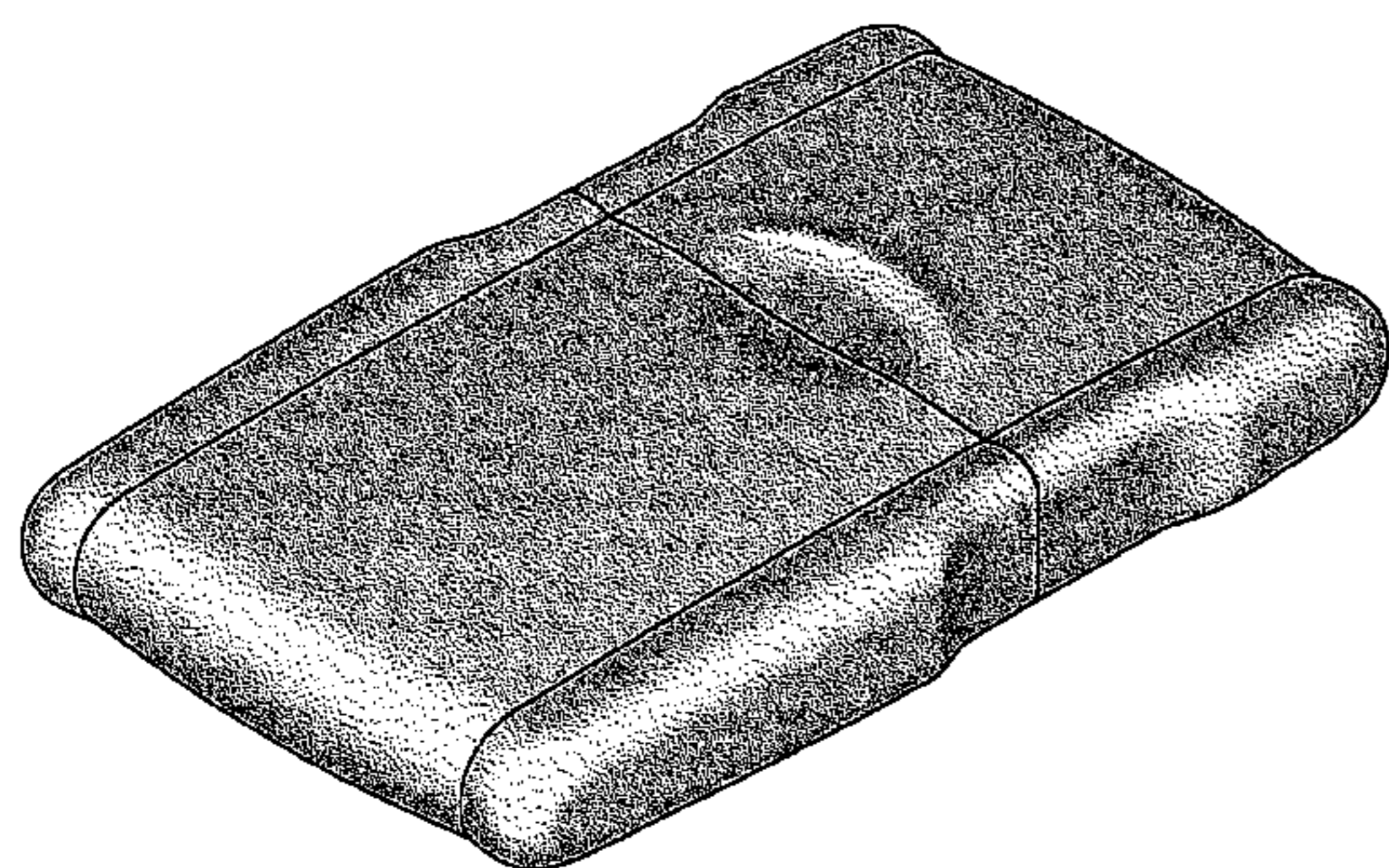
FIG. 6 is a right side elevational view thereof.

FIG. 7 is a left side elevational view thereof.

FIG. 8 is a front, top perspective view of the container shown in FIG. 1, in an open configuration; and,

FIG. 9 is a rear, bottom perspective view of the container shown in FIG. 1, in an open configuration.

1 Claim, 7 Drawing Sheets



US D545,187 S

Page 2

U.S. PATENT DOCUMENTS			
6,672,471	B2 *	1/2004	Cross 220/345.4
D494,466	S	8/2004	Devine
D497,246	S	10/2004	Darst
D497,803	S	11/2004	Nichols et al.
D498,139	S *	11/2004	Haggerty et al. D9/417
6,981,591	B2 *	1/2006	Logan 206/451
D522,356	S *	6/2006	Liebe D9/426
D522,855	S *	6/2006	Liebe et al. D9/426
D531,023	S *	10/2006	Tanner D9/423
2004/0173613	A1	9/2004	Schroeder et al.

* cited by examiner

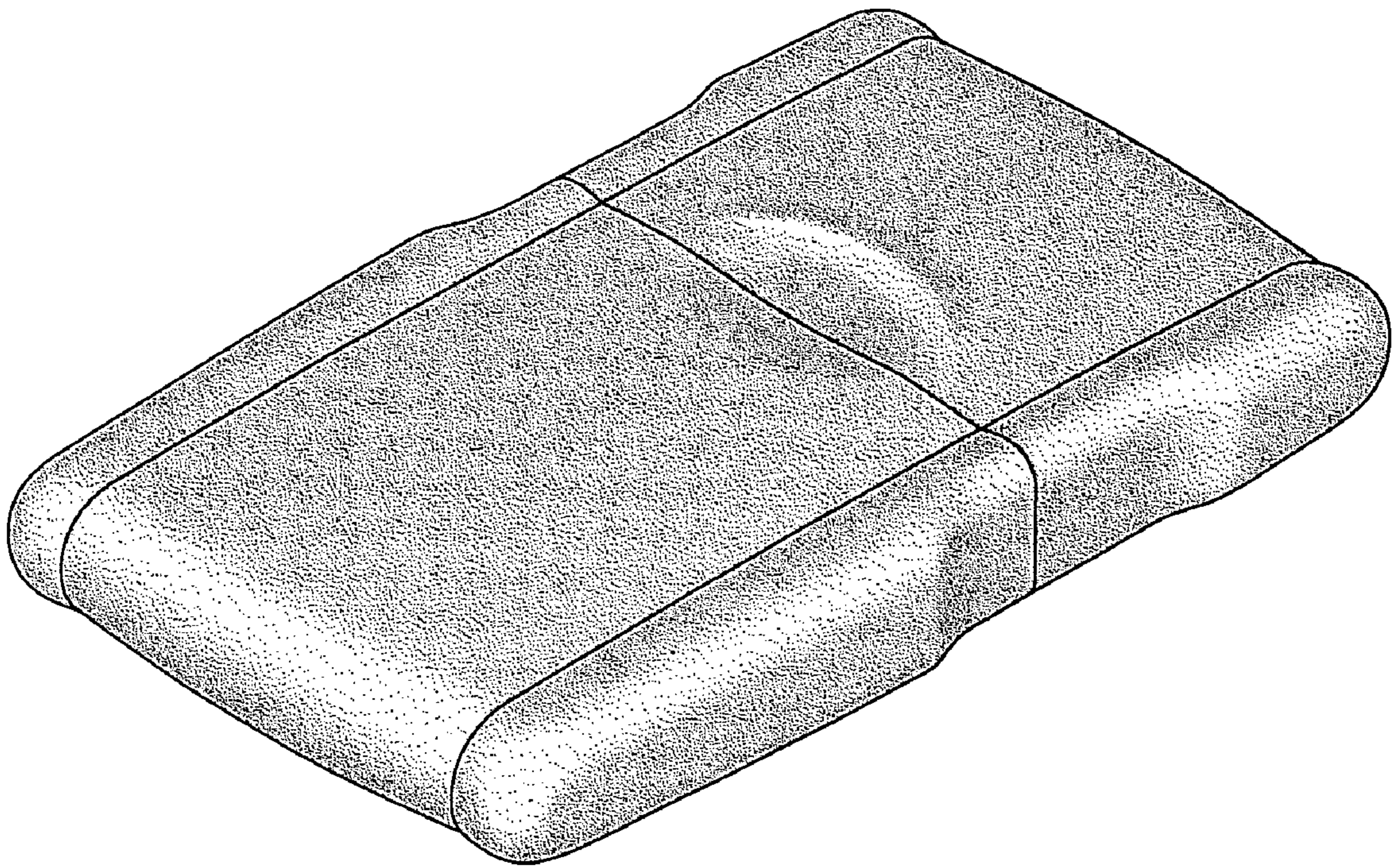


FIG. 1

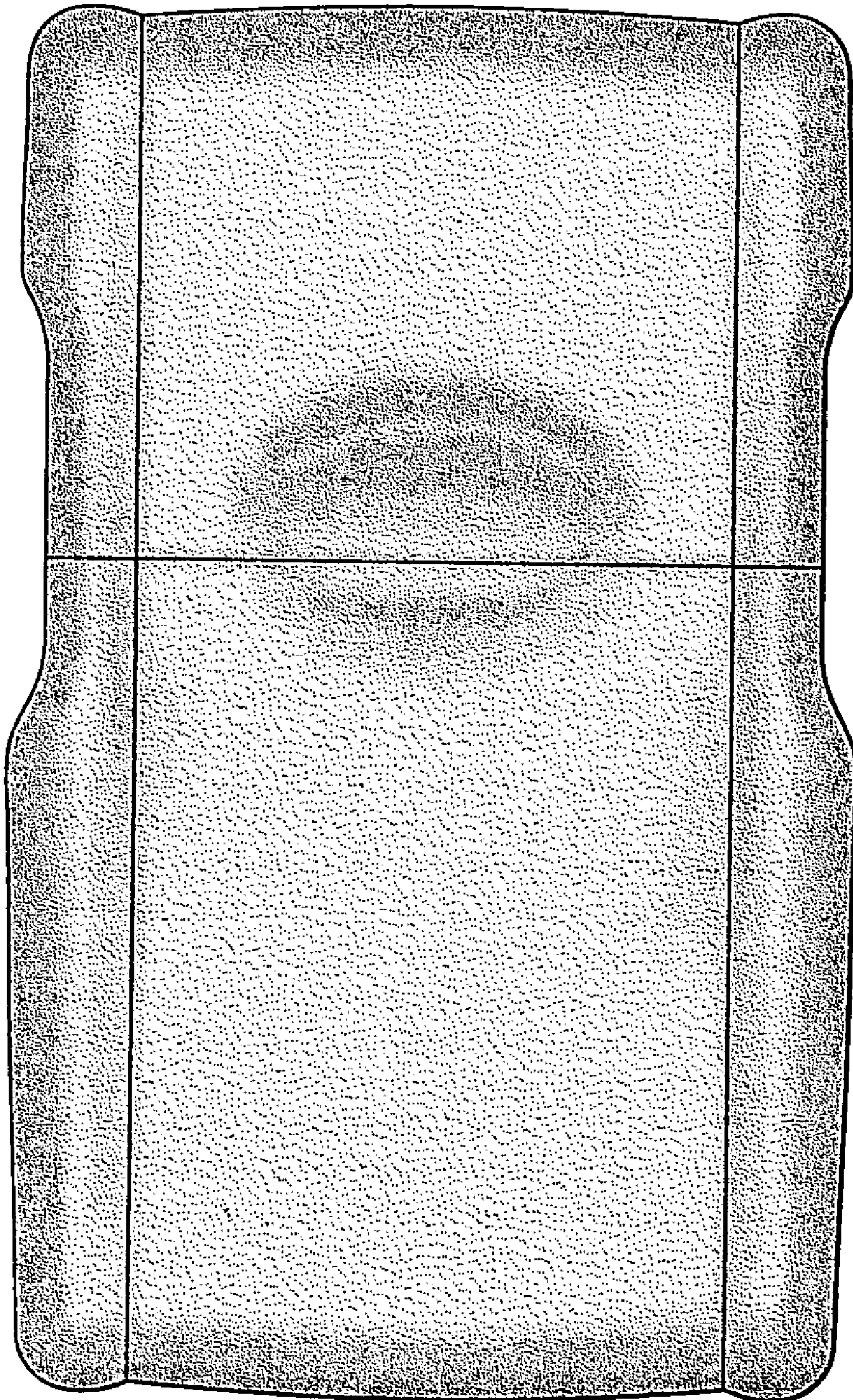


FIG. 2

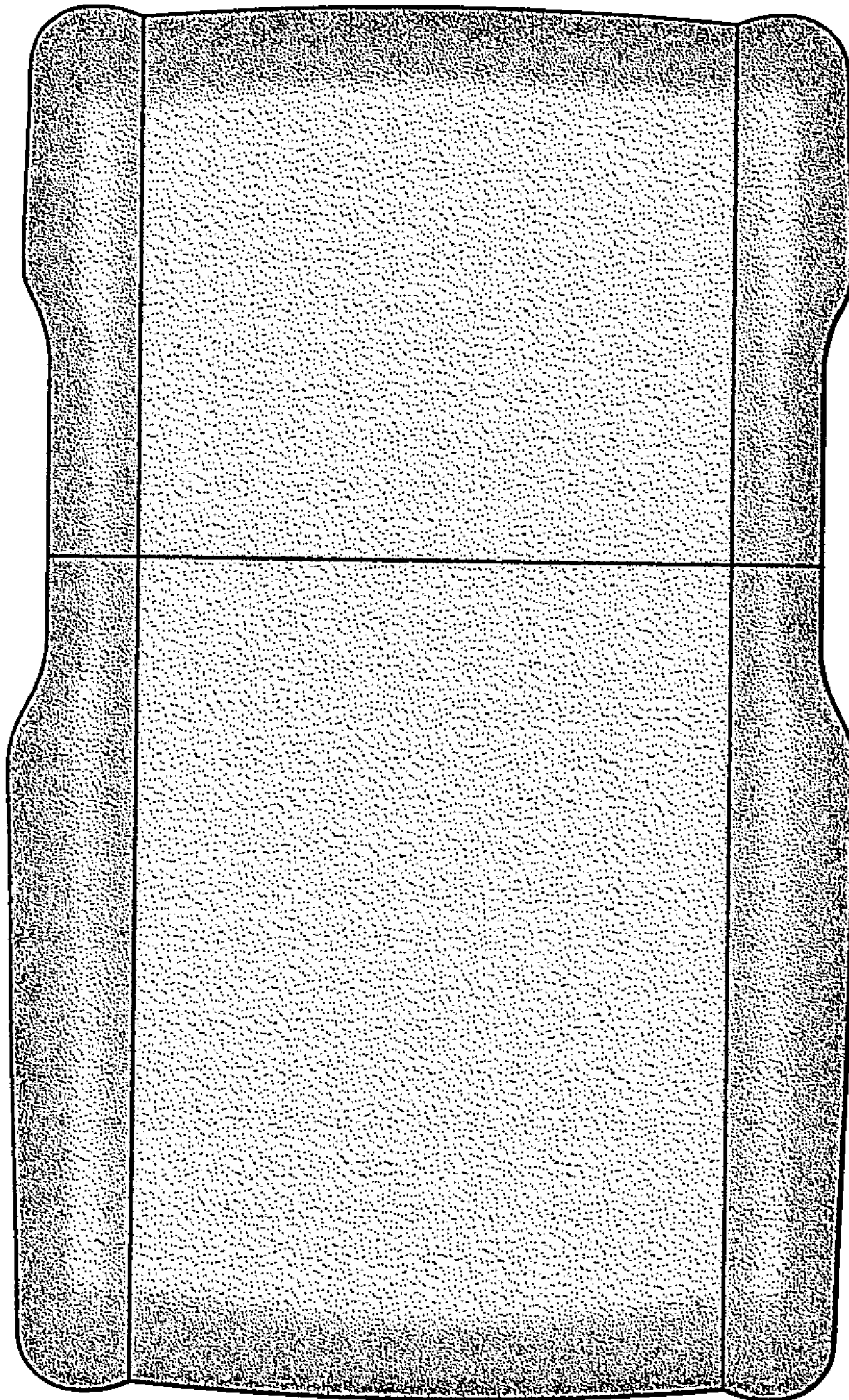


FIG. 3

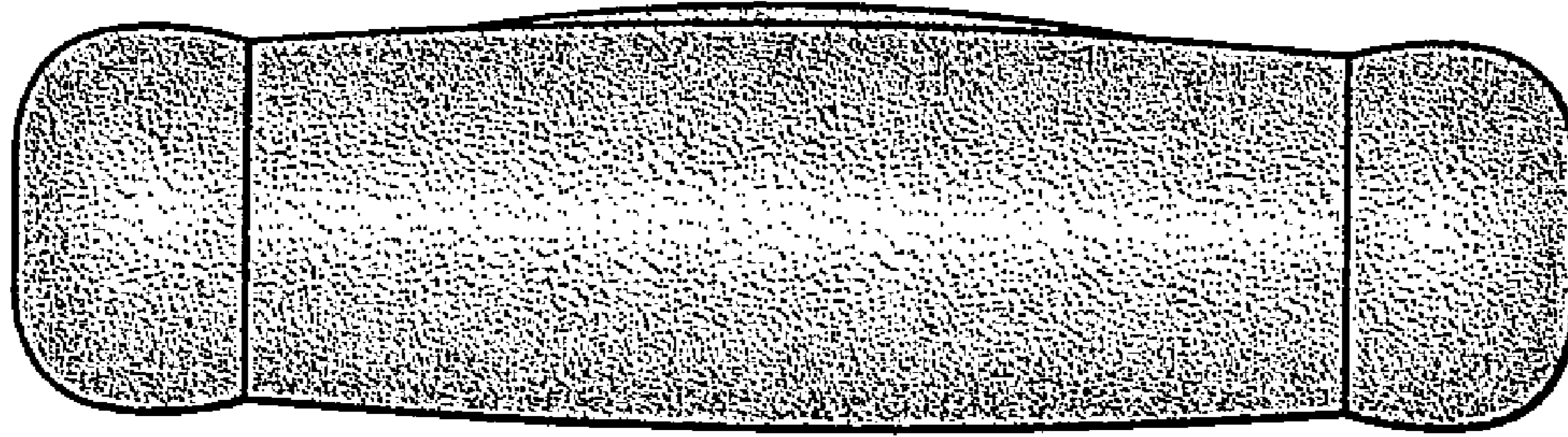


FIG. 4

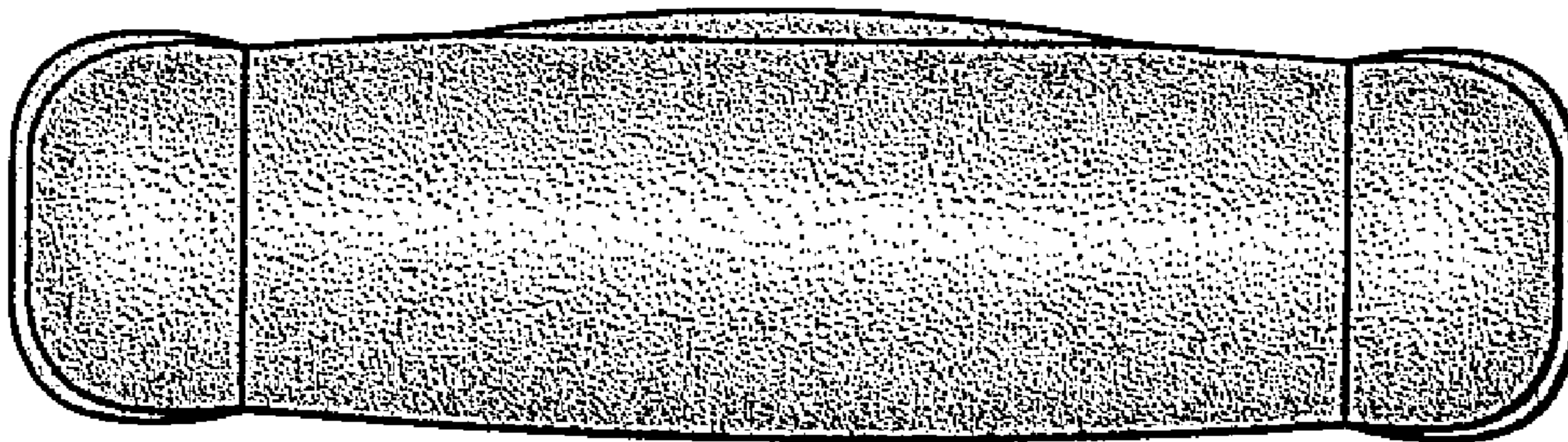


FIG. 5

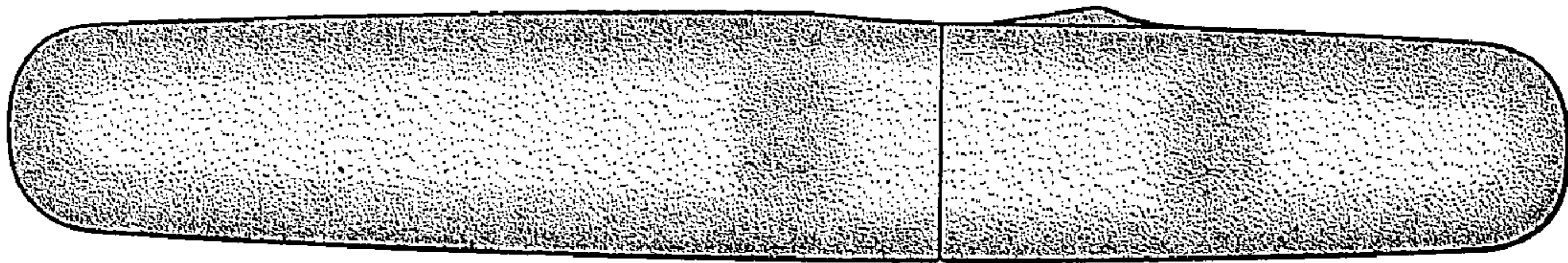


FIG. 6

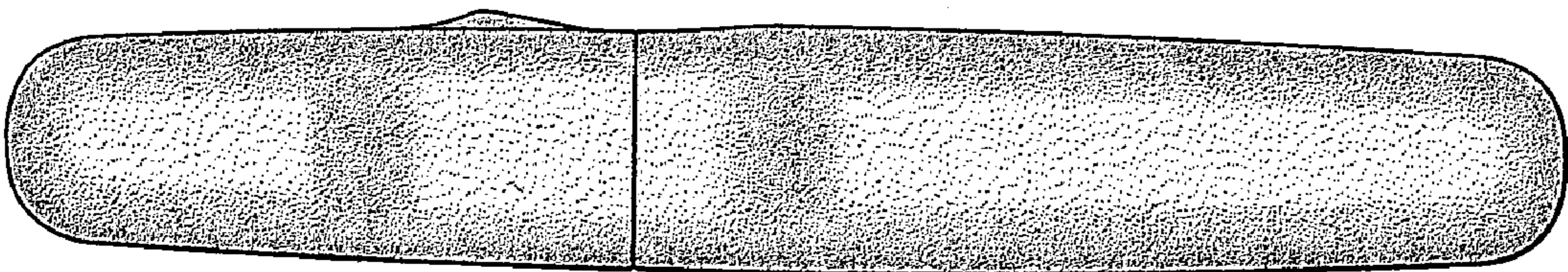


FIG. 7

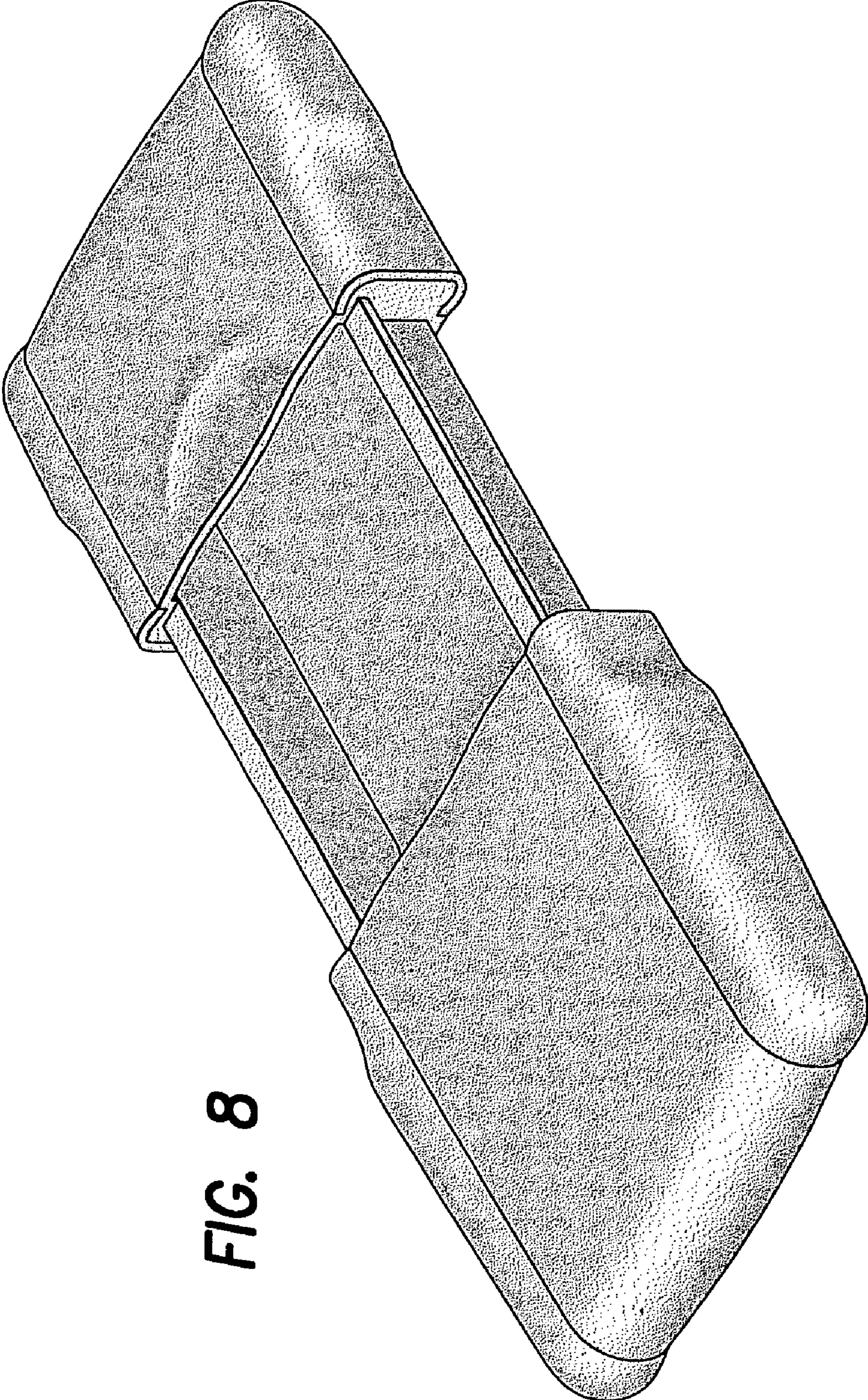


FIG. 8

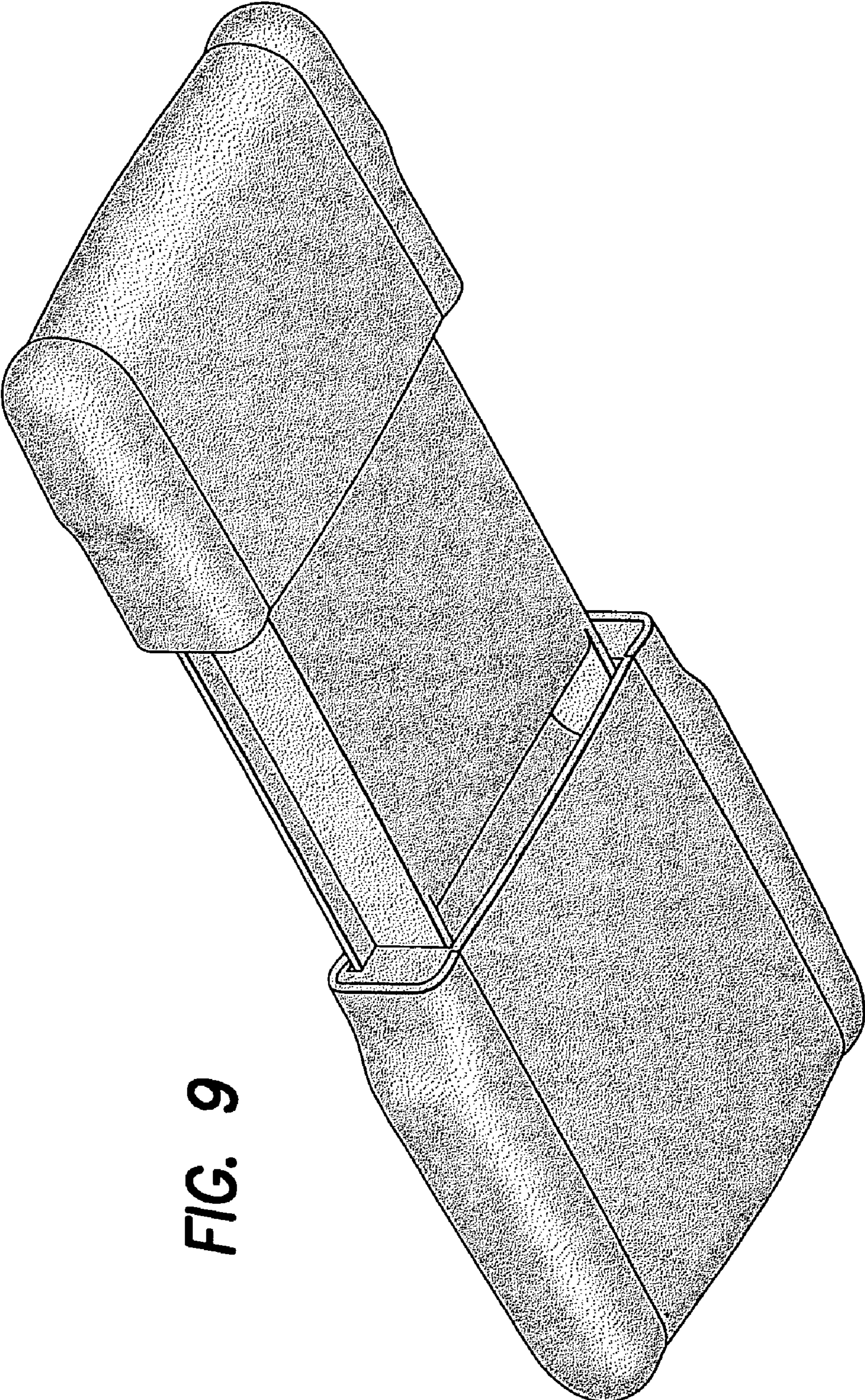


FIG. 9