

US00D545185S

(12) **United States Design Patent**
Kutsch et al.

(10) **Patent No.:** **US D545,185 S**
(45) **Date of Patent:** **** Jun. 26, 2007**

(54) **CONTAINER**

(75) Inventors: **John H. Kutsch**, Crystal Lake, IL
(US); **Rutger Thiellier**, Chicago, IL
(US); **Andrew Vest**, Midlothian, VA
(US)

(73) Assignee: **Philip Morris USA Inc.**, Richmond,
VA (US)

(**) Term: **14 Years**

(21) Appl. No.: **29/234,325**

(22) Filed: **Jul. 18, 2005**

(51) **LOC (8) Cl.** **09-03**

(52) **U.S. Cl.** **D9/420**

(58) **Field of Classification Search** D9/414,
D9/417, 420–435, 440, 447, 499, 760–770,
D9/756; 206/37, 494, 527, 499–502, 457;
220/620, 656, 659, 669, 765, 890; 229/400–404,
229/939, 915, 116.5, 201, 100, 123–126,
229/188

See application file for complete search history.

(56) **References Cited**

U.S. PATENT DOCUMENTS

1,354,211 A * 9/1920 Reed 206/38
1,985,335 A * 12/1934 Bloss 362/99
4,076,117 A 2/1978 Wisdom et al.
4,113,098 A 9/1978 Howard
4,126,244 A 11/1978 Elser
4,174,034 A 11/1979 Hoo
4,364,488 A 12/1982 Anjou
4,485,915 A 12/1984 Berghahn
4,561,544 A 12/1985 Reeve
4,844,284 A 7/1989 Drozd et al.
4,932,547 A * 6/1990 Rodriguez 220/8
5,080,222 A 1/1992 McNary
5,082,137 A 1/1992 Weinstein
5,275,291 A 1/1994 Sledge
D352,895 S 11/1994 van Loo
D371,723 S * 7/1996 Hirao D7/602

D407,972 S 4/1999 Hilton
D446,718 S 8/2001 Anderson
D448,668 S * 10/2001 Baerenwald et al. D9/449
D451,799 S 12/2001 Berger et al.
6,341,693 B2 1/2002 Konno et al.
6,341,710 B1 * 1/2002 Danielson et al. 220/281
D460,352 S 7/2002 Bried
D464,567 S * 10/2002 Baerenwald et al. D9/432
D465,729 S * 11/2002 Nishimura D9/422
D467,801 S * 12/2002 Baerenwald et al. D9/432
D474,402 S * 5/2003 Baerenwald D9/420
D478,280 S * 8/2003 Miller et al. D9/420
D494,466 S 8/2004 Devine
D497,246 S 10/2004 Darst
D497,803 S 11/2004 Nichols et al.
6,981,591 B2 * 1/2006 Logan 206/451
D531,023 S * 10/2006 Tanner D9/423
2004/0173610 A1 9/2004 Schroeder et al.

OTHER PUBLICATIONS

“How to Revel,” <http://www.revel.com/How.aspx>, copyright dated 2005.

* cited by examiner

Primary Examiner—Stella Reid

Assistant Examiner—Thomas Johannes

(74) *Attorney, Agent, or Firm*—Buchanan Ingersoll & Rooney PC

(57) **CLAIM**

The ornamental design for a container, as shown and described.

DESCRIPTION

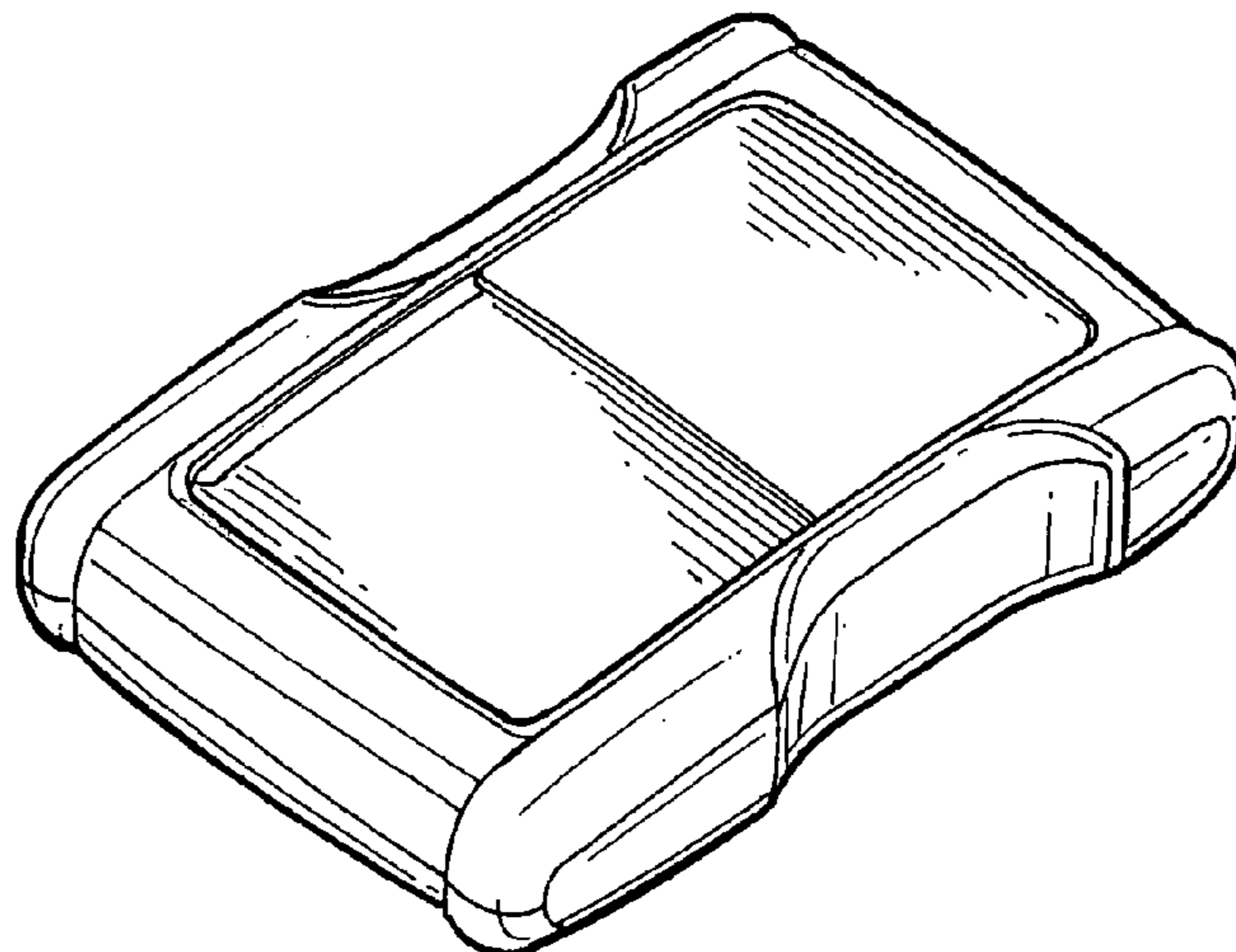
FIG. 1 is a rear, left side and top perspective view of a container showing my new design in a closed position, the other side being a mirror image thereof.

FIG. 2 is a rear, left side and top perspective view thereof in an open position, the other side being a mirror image thereof.

FIG. 3 is a top plan view thereof; and,

FIG. 4 is a bottom plan view thereof.

1 Claim, 2 Drawing Sheets



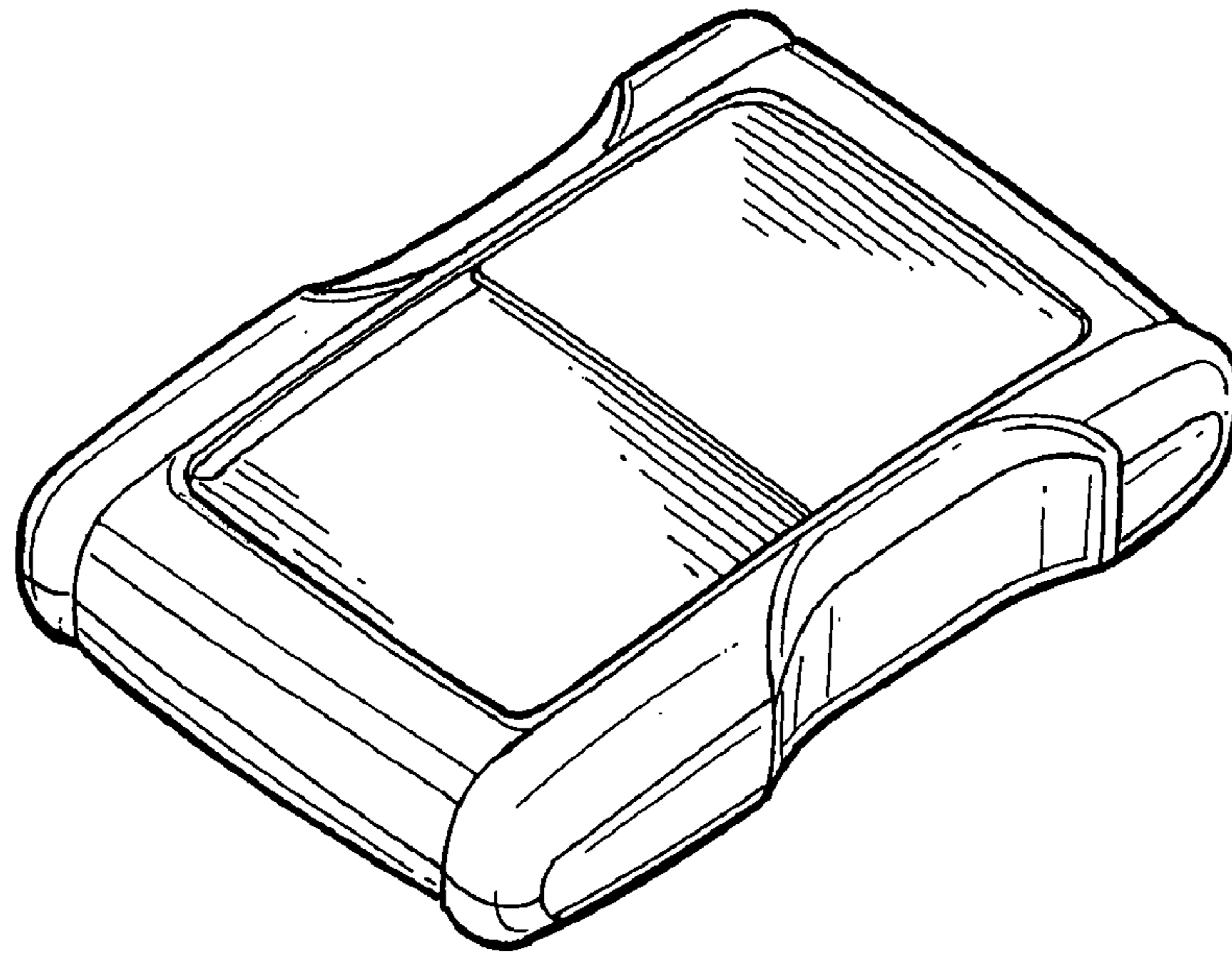


FIG.1

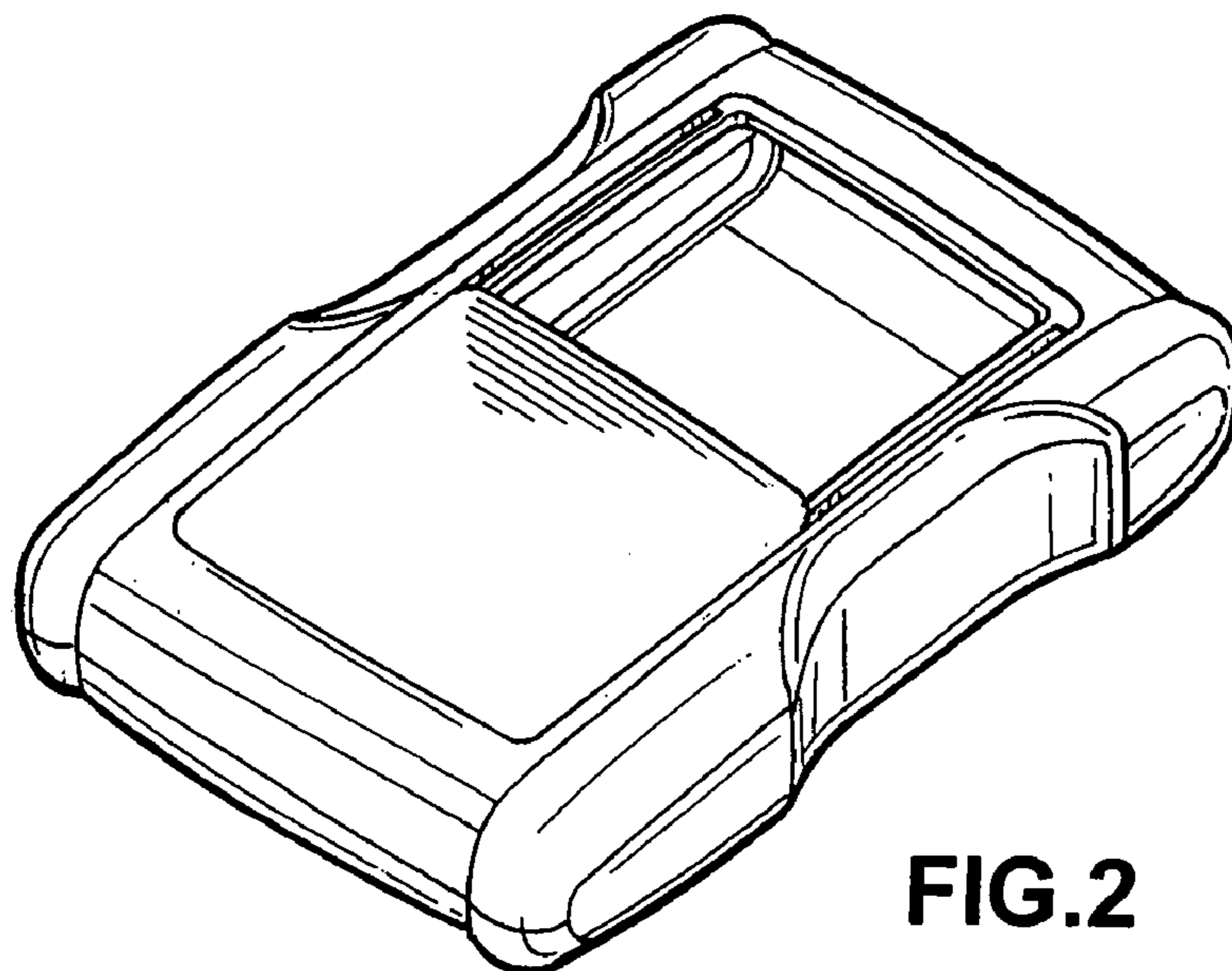


FIG.2

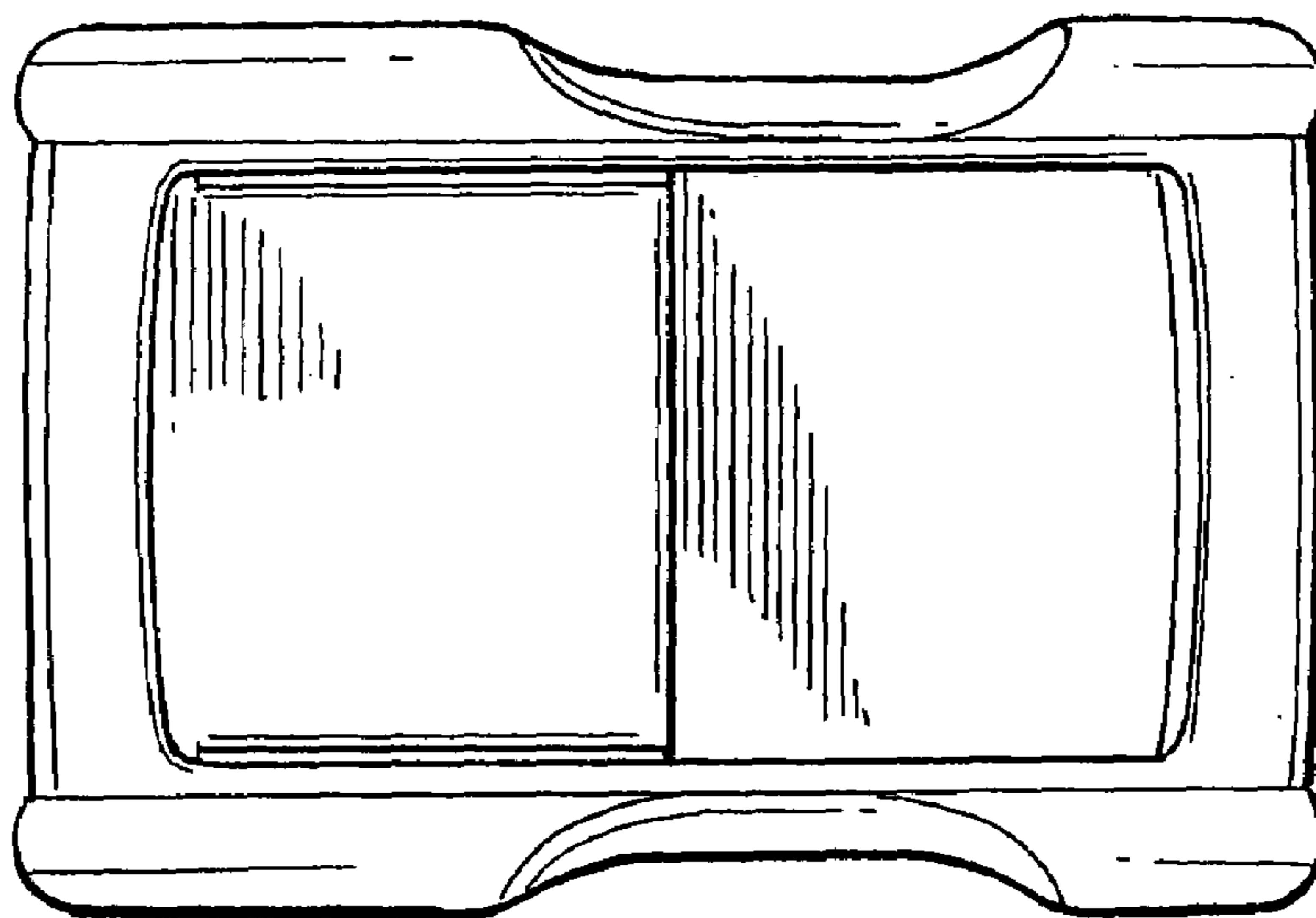


FIG.3

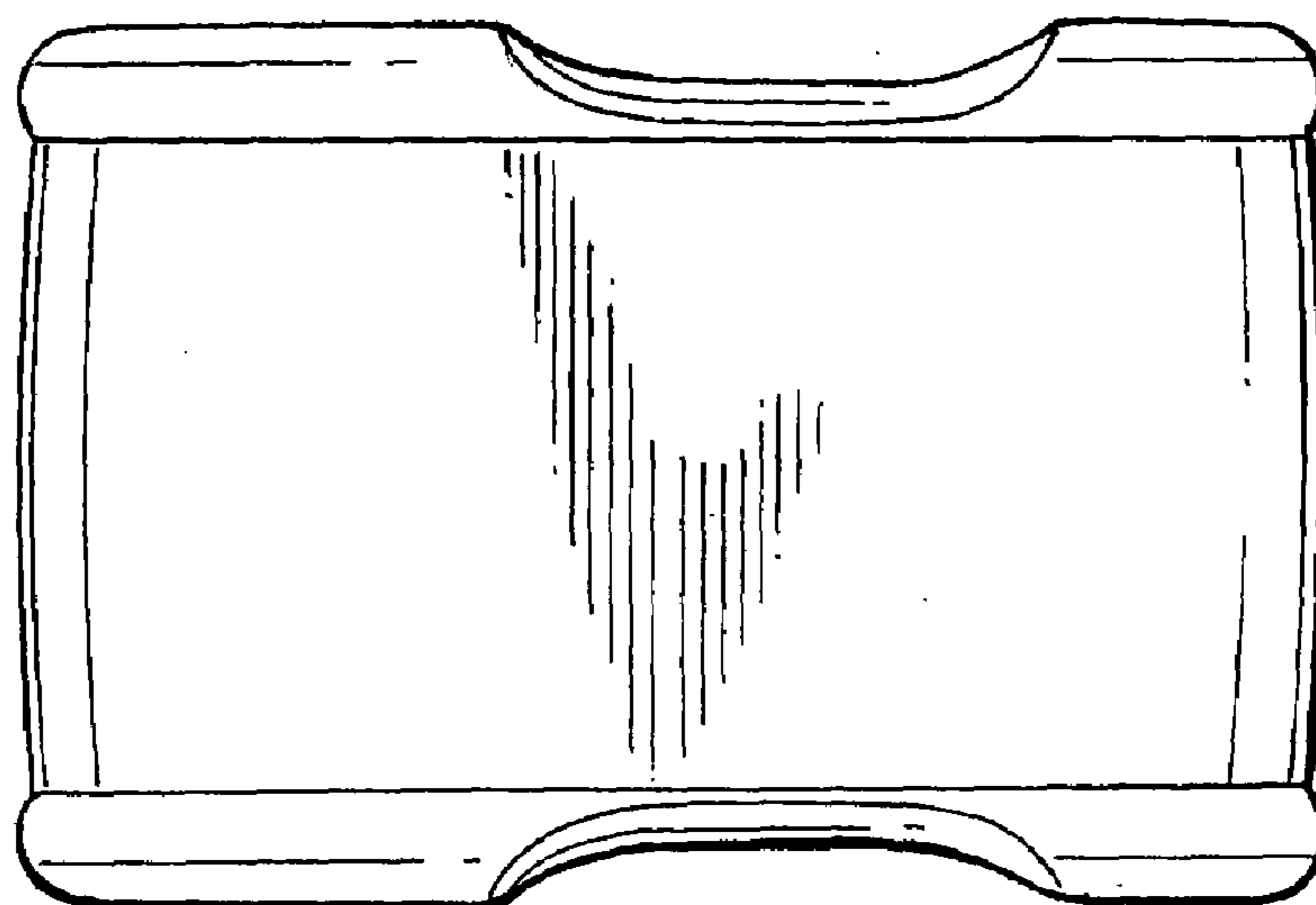


FIG.4