

US00D545184S

(12) **United States Design Patent**
Hanamura

(10) **Patent No.:** **US D545,184 S**

(45) **Date of Patent:** **** Jun. 26, 2007**

(54) **QUICK RELEASE NUT FOR A BICYCLE HUB**

(75) Inventor: **Junichi Hanamura**, Osaka (JP)

(73) Assignee: **Shimano Inc.**, Osaka (JP)

(**) Term: **14 Years**

(21) Appl. No.: **29/260,105**

(22) Filed: **May 19, 2006**

(30) **Foreign Application Priority Data**

Dec. 16, 2005 (EM) 000450424-0001/0008

(51) **LOC (8) Cl.** **08-08**

(52) **U.S. Cl.** **D8/397**

(58) **Field of Classification Search** D8/382,
D8/387, 397, 398, 399; 411/81, 88, 90-93,
411/96-98, 103, 114, 106-108, 132-165,
411/172-189, 197, 204, 248, 337, 338, 366.1,
411/366.2, 366.3, 368-369, 371.2, 371.5,
411/418, 427, 429-432, 436, 437, 526, 531-538,
411/542, 544; 70/229; 301/35.623, 111.01
See application file for complete search history.

(56) **References Cited**

U.S. PATENT DOCUMENTS

1,904,263	A *	4/1933	Berge	411/135
2,630,020	A *	3/1953	Lucien	301/110.5
3,781,036	A *	12/1973	Brilando	280/828
3,807,761	A *	4/1974	Brilando et al.	280/279
3,922,018	A *	11/1975	Shook	301/110.5
4,028,915	A *	6/1977	Stahl	70/233
4,103,922	A *	8/1978	Brilando	280/279
4,179,977	A *	12/1979	van Buren, Jr.	411/182
D264,217	S *	5/1982	Prause et al.	D15/138
4,674,617	A *	6/1987	Nagano	192/113.32
4,711,459	A *	12/1987	Liu	280/279

4,805,941	A *	2/1989	Downing et al.	280/279
4,818,578	A *	4/1989	Moghe	428/57
4,990,043	A *	2/1991	Hafeli et al.	411/280
5,082,409	A *	1/1992	Bias	411/431
5,118,125	A *	6/1992	Plunkett	280/279
5,120,174	A *	6/1992	Patti	411/431
5,121,973	A *	6/1992	Phillips	301/110.5
5,163,797	A *	11/1992	Patti	411/431
5,165,762	A *	11/1992	Phillips	301/110.5
5,339,660	A *	8/1994	Fell	70/233

(Continued)

Primary Examiner—T. Chase Nelson

Assistant Examiner—Karen Acker

(74) *Attorney, Agent, or Firm*—Global IP Counselors, LLP

(57) **CLAIM**

The ornamental design for a quick release nut for a bicycle hub, as shown and described.

DESCRIPTION

FIG. 1 is a perspective view of a quick release nut for a bicycle hub in accordance with my new design;

FIG. 2 is a first side elevational view of the quick release nut in accordance with my new design;

FIG. 3 is a second side elevational view of the quick release nut in accordance with my new design;

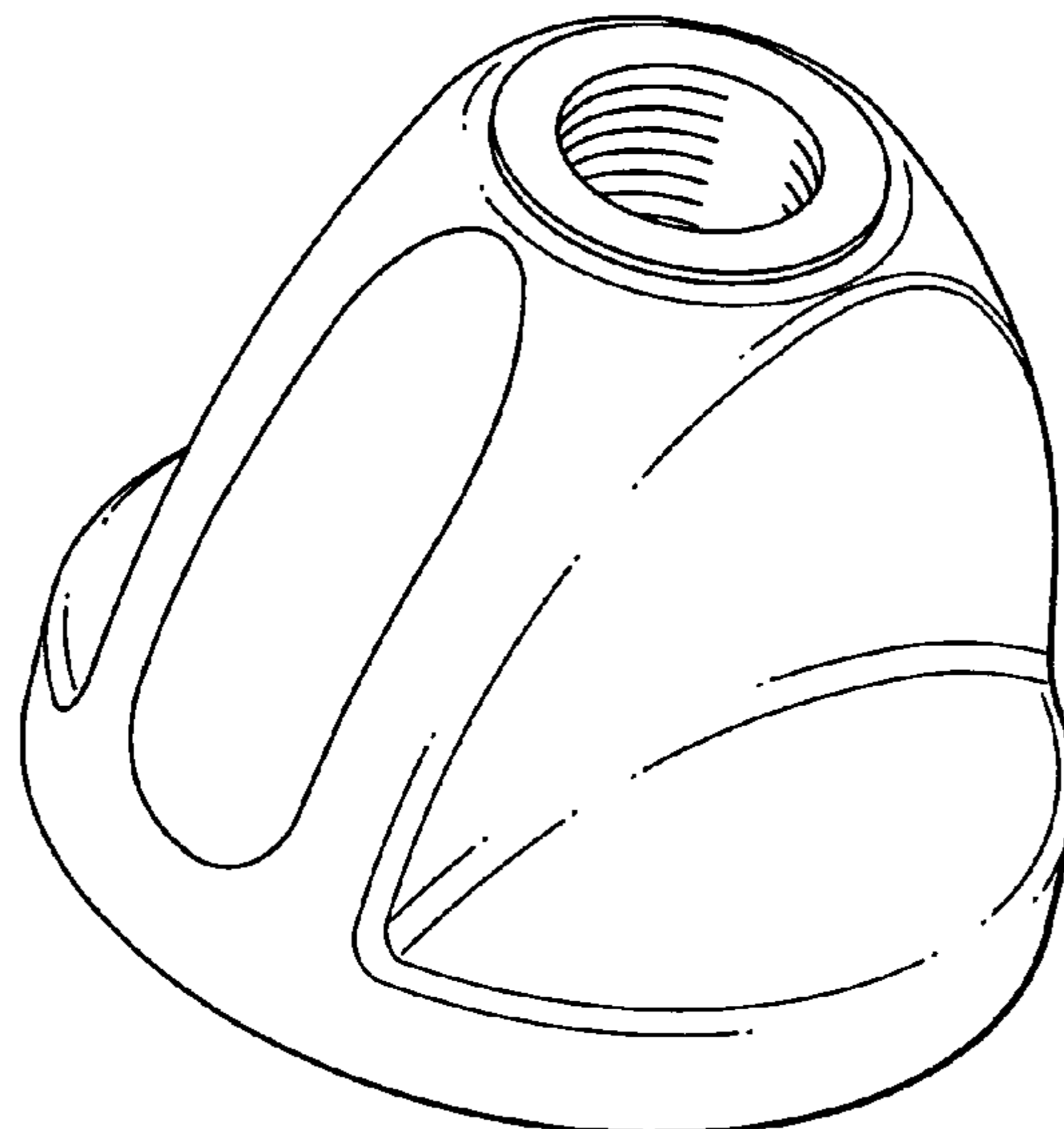
FIG. 4 is a top plan view of the quick release nut in accordance with my new design;

FIG. 5 is a bottom plan view of the quick release nut in accordance with my new design;

FIG. 6 is a first end elevational view of the quick release nut in accordance with my new design; and,

FIG. 7 is a second end elevational view of the quick release nut in accordance with my new design.

1 Claim, 3 Drawing Sheets



US D545,184 S

Page 2

U.S. PATENT DOCUMENTS

5,431,518	A *	7/1995	Young et al.	411/429	6,238,158	B1 *	5/2001	Clements	411/431
5,531,511	A *	7/1996	McMurtrey et al.	301/110.5	6,309,028	B1 *	10/2001	Kanehisa et al.	301/110.5
5,549,315	A *	8/1996	Ashman	280/279	6,382,381	B1 *	5/2002	Okajima et al.	192/64
5,653,512	A *	8/1997	Phillips	301/124.2	6,386,643	B1 *	5/2002	Marzocchi et al.	301/110.5
5,791,672	A *	8/1998	Masclet	280/250.1	6,431,327	B2 *	8/2002	Lumpkin	188/24.12
5,857,818	A *	1/1999	Bias, Sr.	411/431	D513,380	S *	1/2006	Bruni	D8/397
6,004,064	A *	12/1999	Franz	403/322.4	D520,351	S *	5/2006	Alkalay et al.	D8/382
6,089,675	A *	7/2000	Schlanger	301/124.2	2002/0026816	A1 *	3/2002	Katsouros et al.	70/233
D440,149	S *	4/2001	Miyata	D8/397	2002/0054809	A1 *	5/2002	Fischer	411/431

* cited by examiner

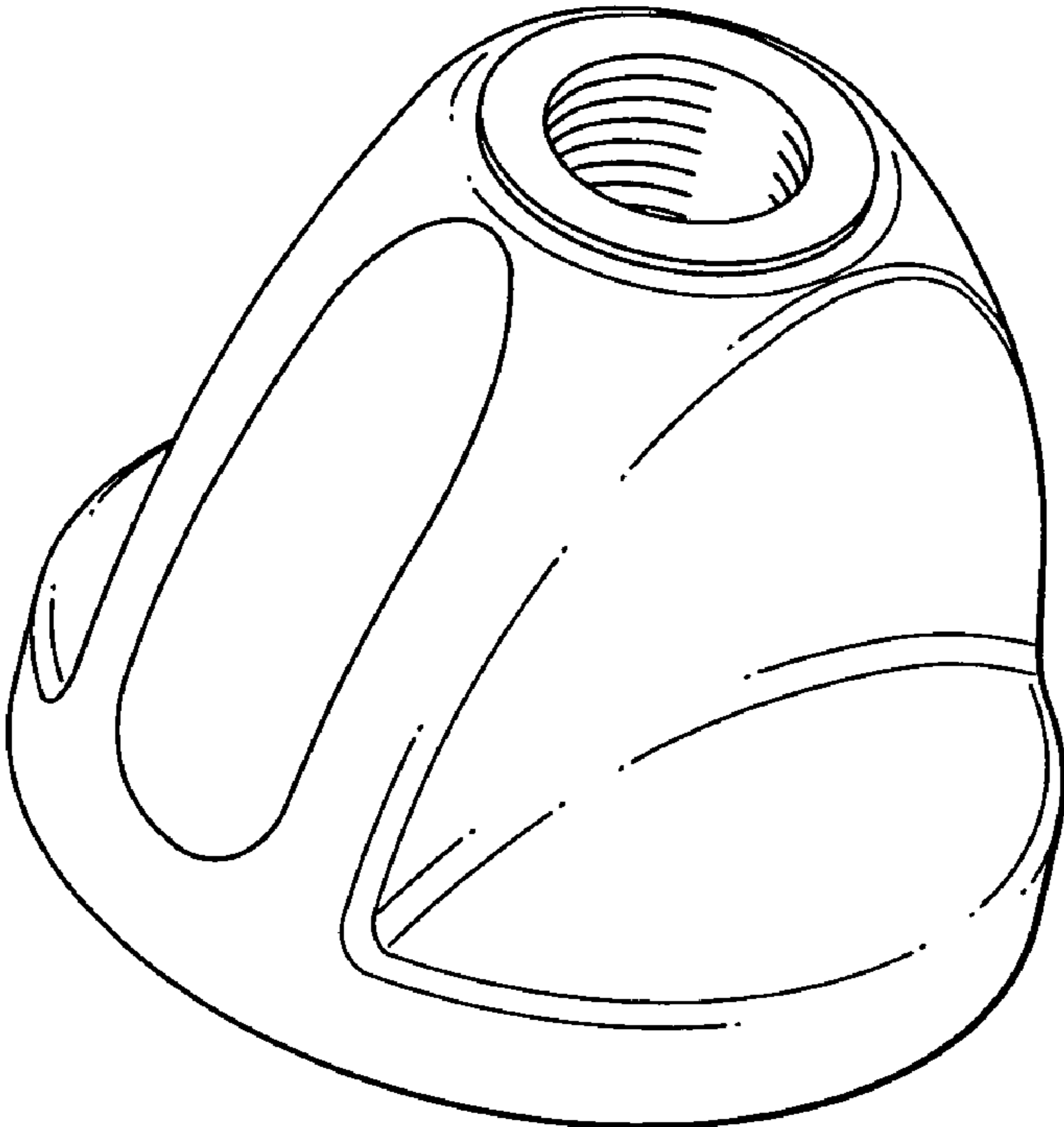


FIG. 1

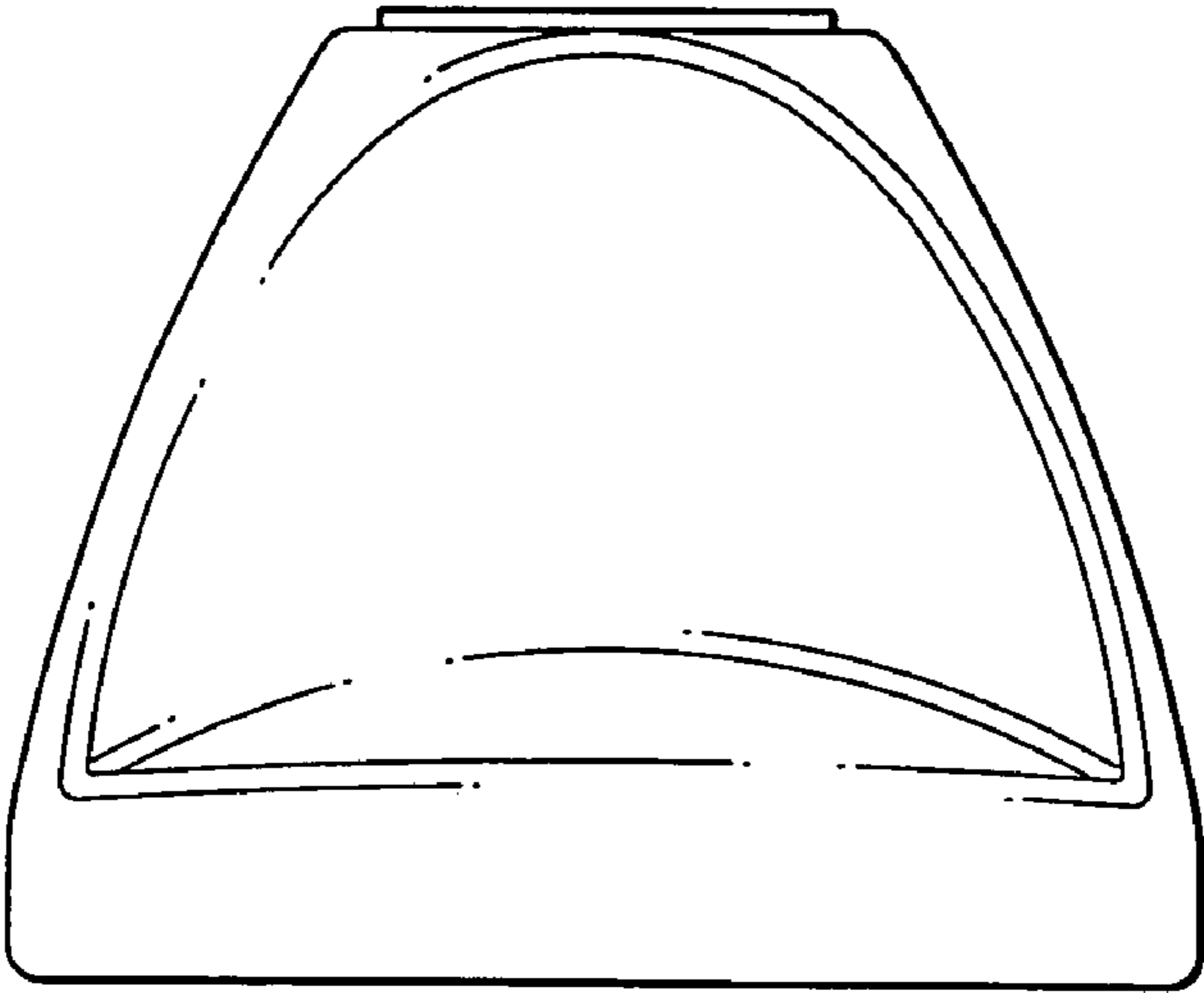


FIG. 2

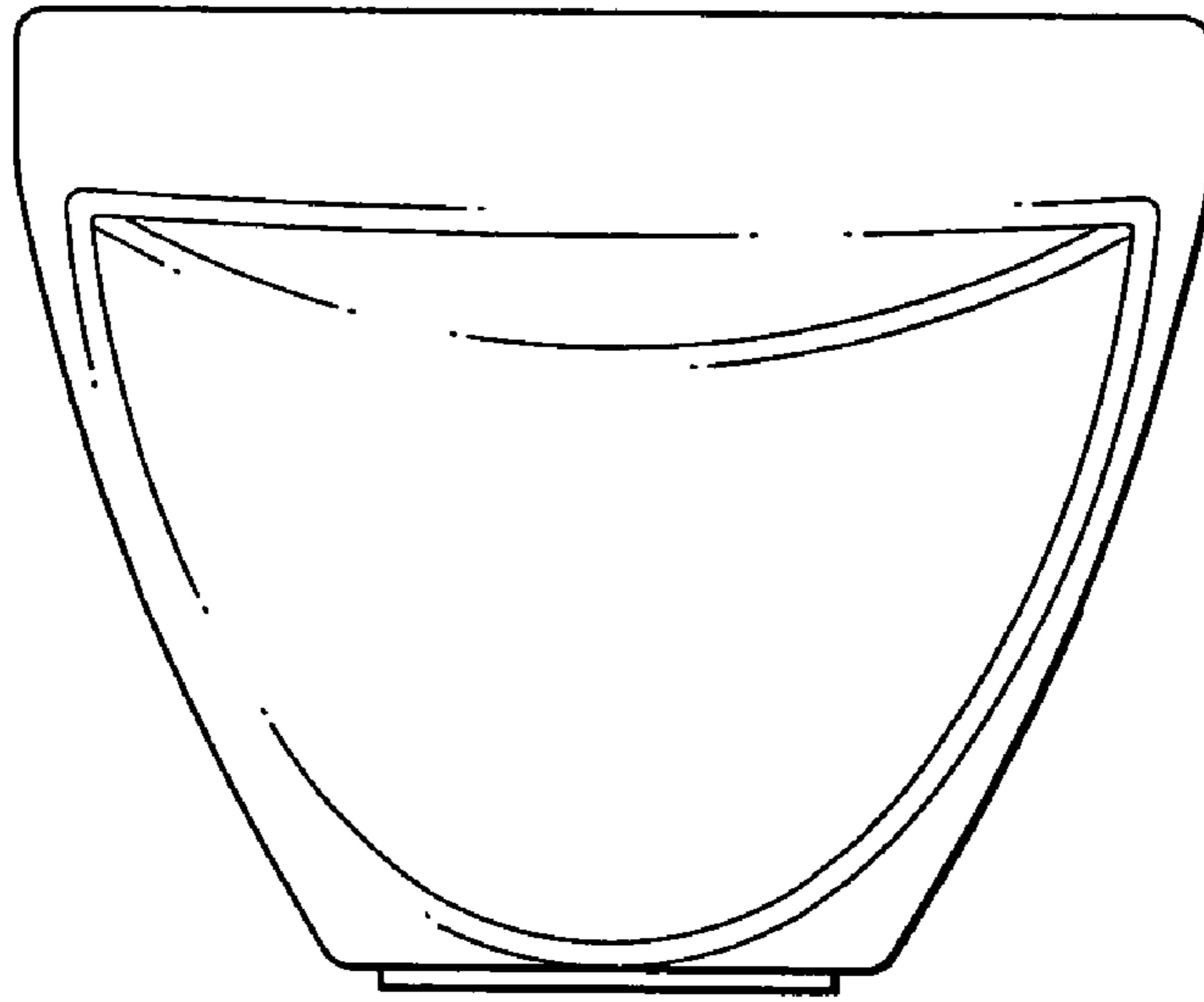


FIG. 3

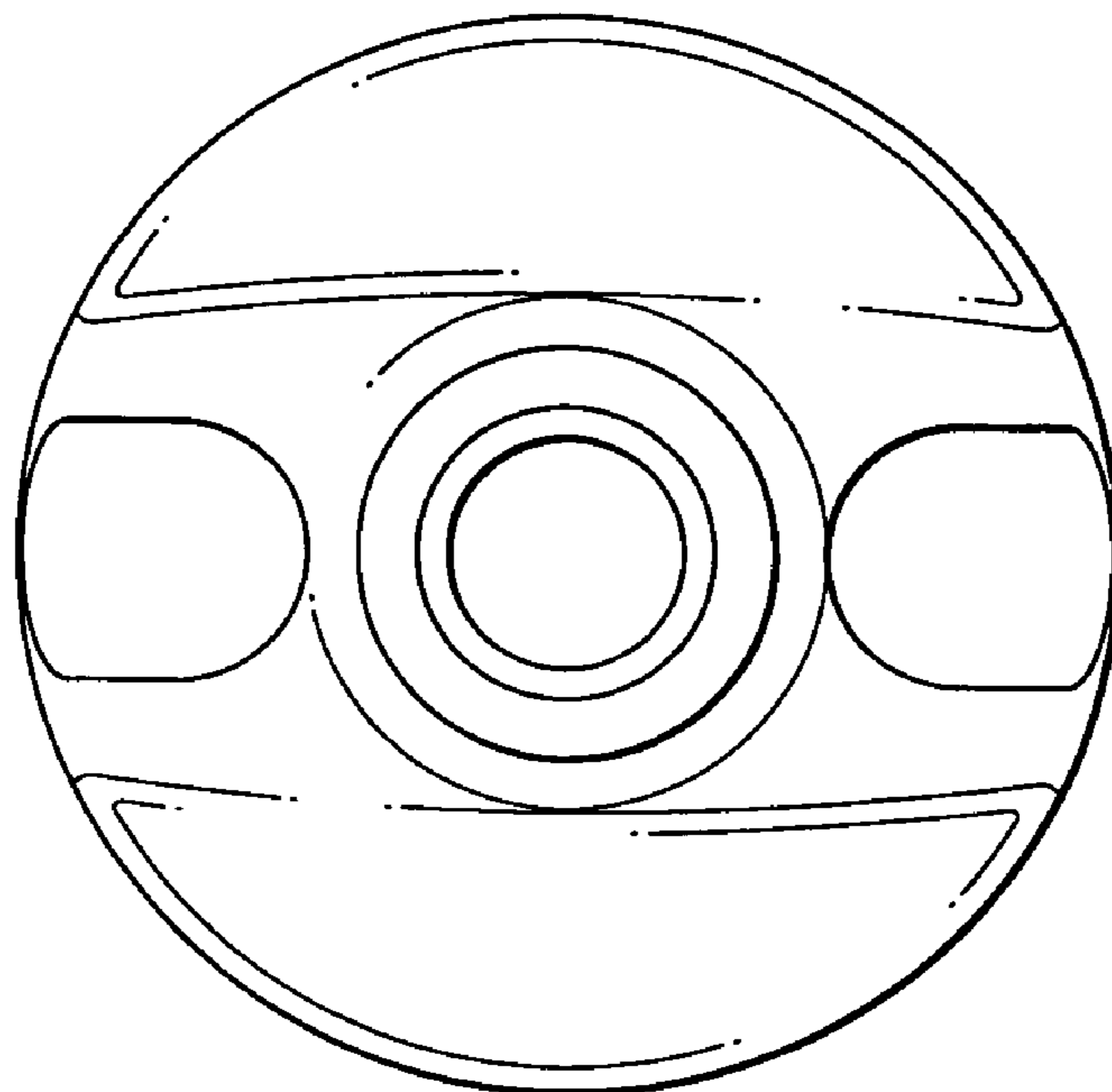


FIG. 4

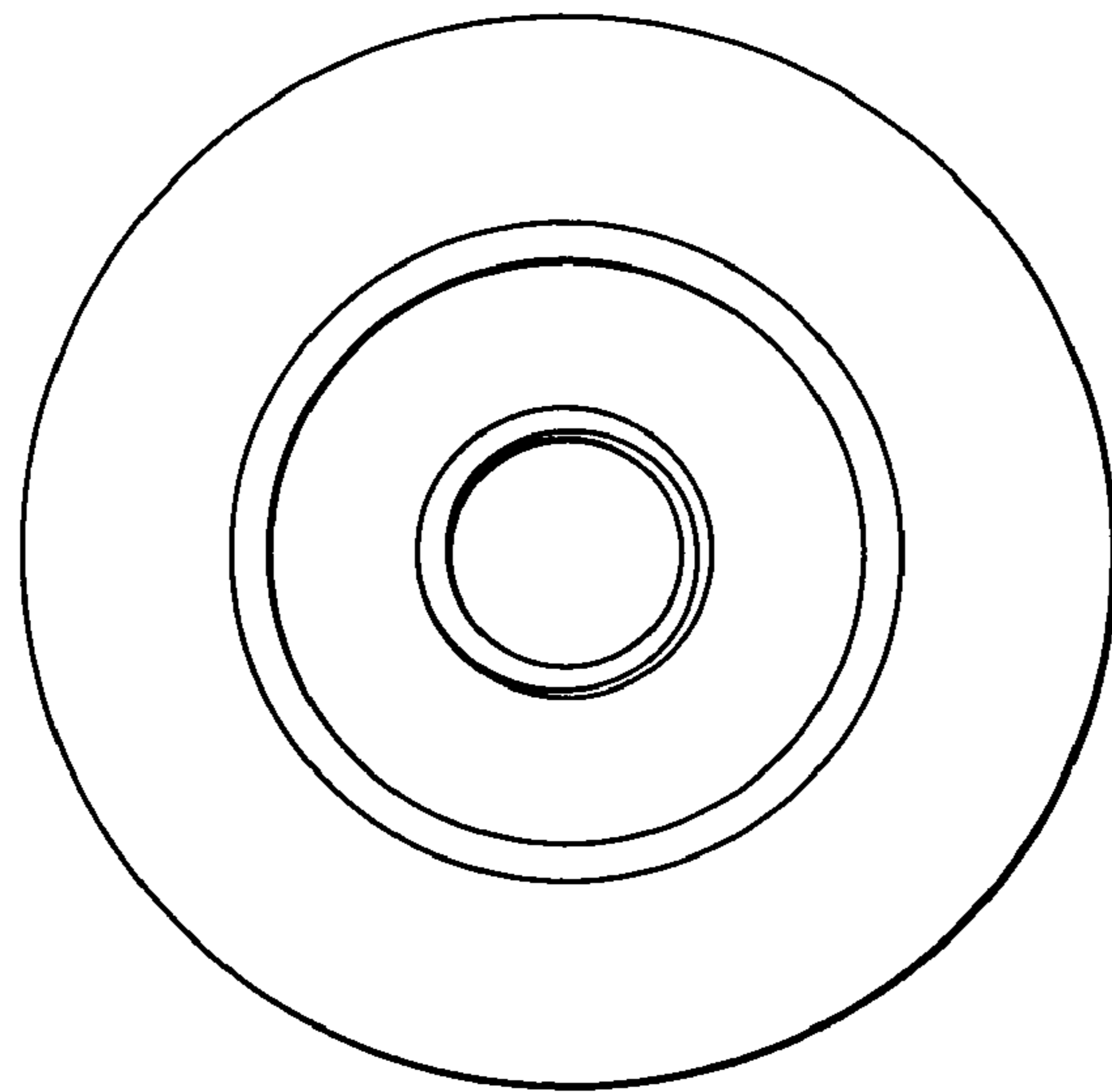


FIG. 5

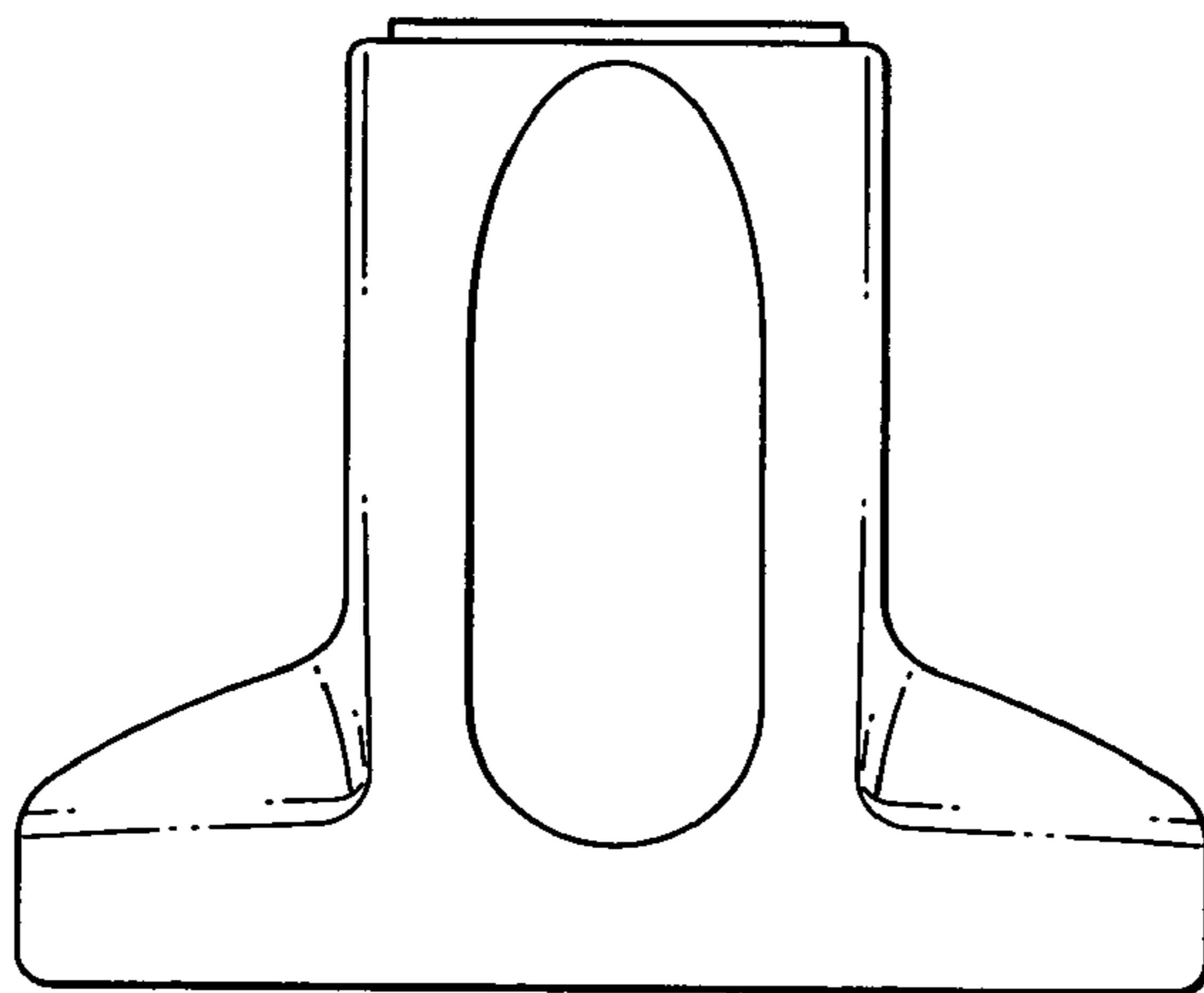


FIG. 6

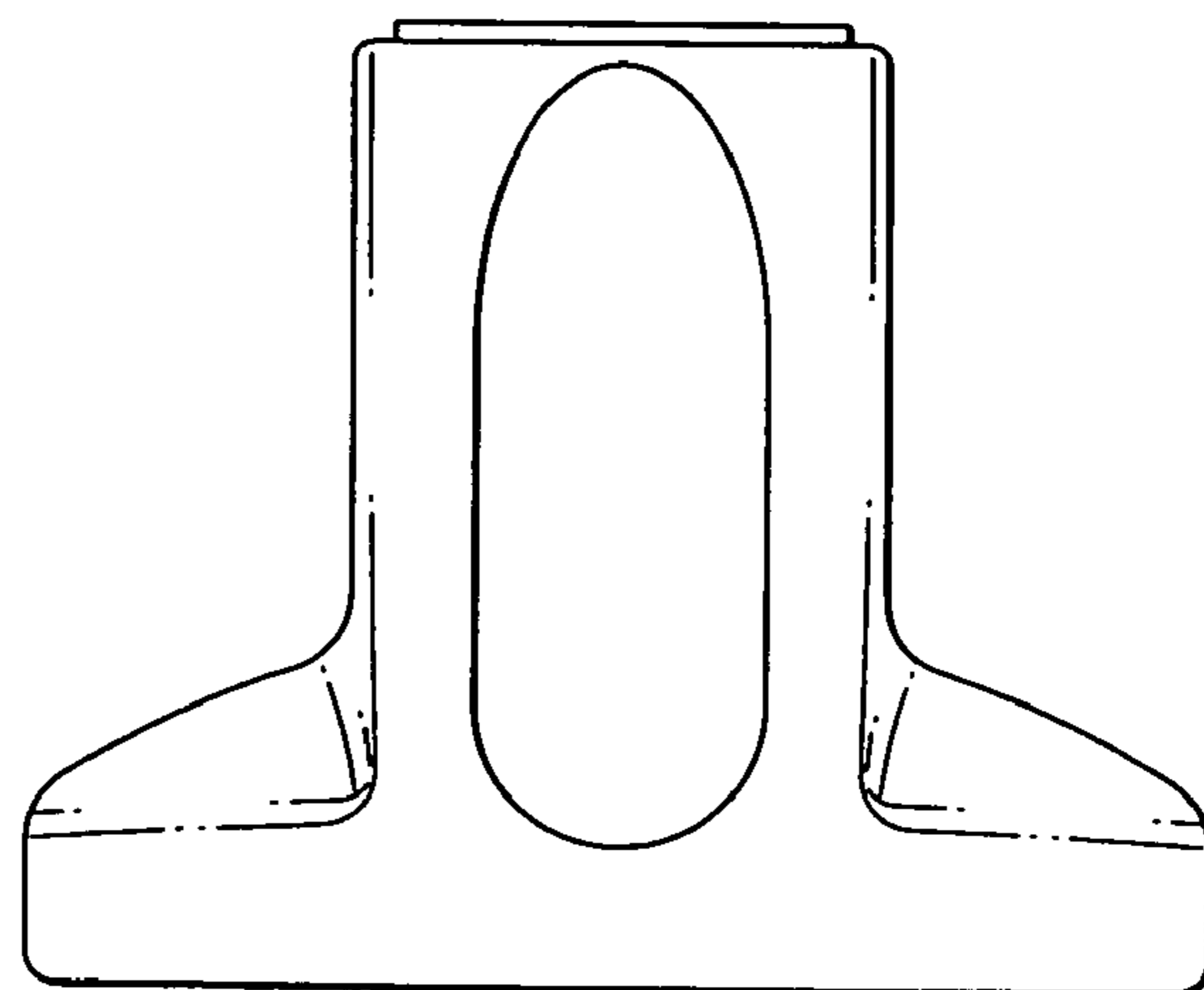


FIG. 7