



US00D545181S

(12) **United States Design Patent**
Kagan et al.

(10) **Patent No.:** **US D545,181 S**

(45) **Date of Patent:** **** Jun. 26, 2007**

(54) **WALL MOUNT**

D455,066 S * 4/2002 Kolinen D8/373

* cited by examiner

(75) Inventors: **Erran Kagan**, Port Washington, NY (US); **Avi Cohen**, Great Neck, NY (US)

Primary Examiner—Holly H. Baynham

(73) Assignee: **Electro Industries/GaugeTech**, Westbury, NY (US)

(74) *Attorney, Agent, or Firm*—Carter, DeLuca, Farrell & Schmidt, LLP

(**) Term: **14 Years**

(57) **CLAIM**

(21) Appl. No.: **29/224,737**

The ornamental design for a wall mount, as shown and described.

(22) Filed: **Mar. 7, 2005**

DESCRIPTION

(51) **LOC (8) Cl.** **08-05**

FIG. 1 is a perspective of the wall mount showing the new design;

(52) **U.S. Cl.** **D8/373**

FIG. 2 is a top view thereof;

(58) **Field of Classification Search** D8/373, D8/354, 349; D14/451, 224; 248/300
See application file for complete search history.

FIG. 3 is a bottom view thereof;

FIG. 4 is a side view of one side thereof;

FIG. 5 is a side view of another side thereof; and,

FIG. 6 is a side view of another side thereof.

(56) **References Cited**

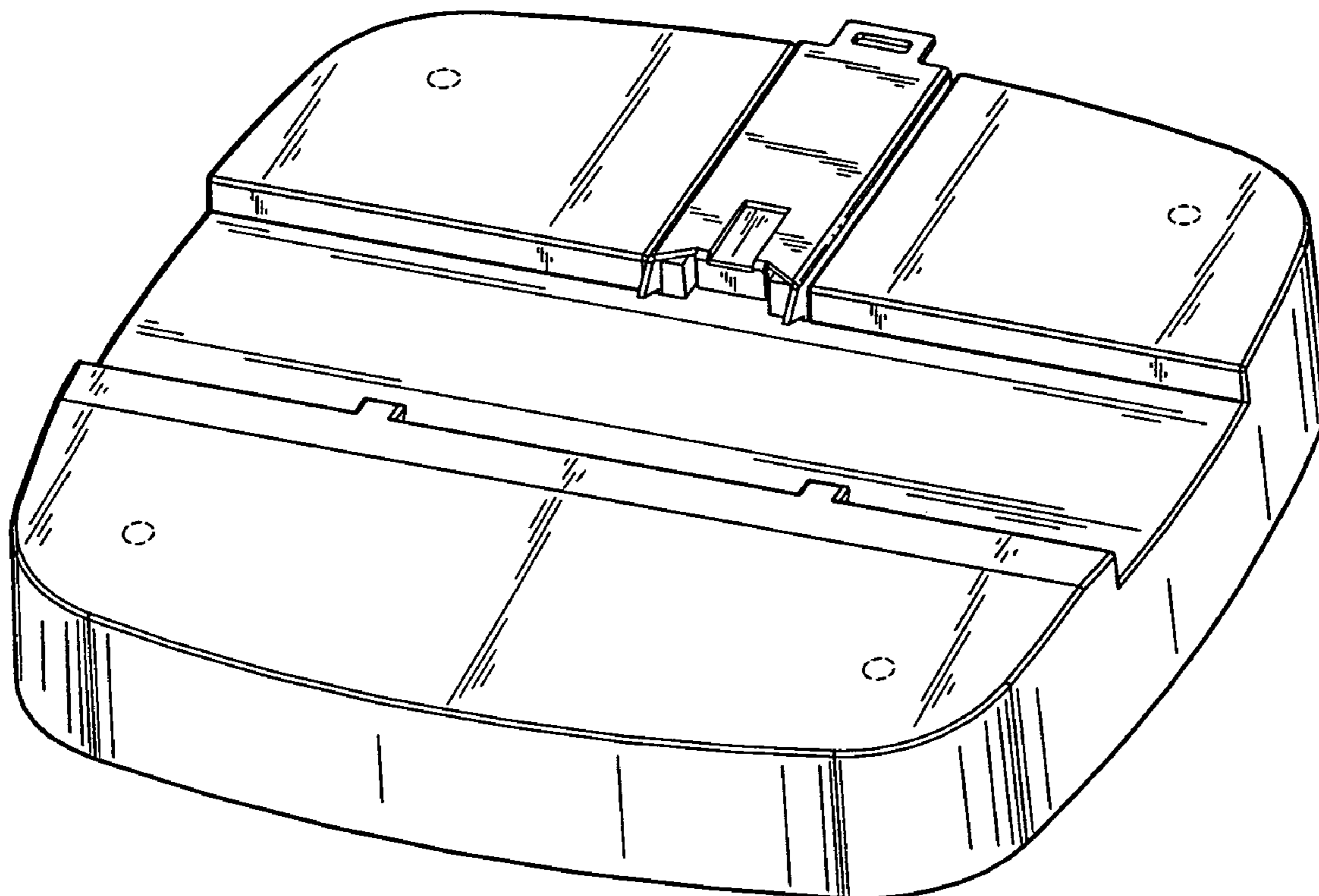
The broken lines showing in FIGS. 1-6 are for illustrative purposes only and form no part of the claimed design.

U.S. PATENT DOCUMENTS

D241,006 S * 8/1976 Wallace D8/373

D343,786 S * 2/1994 Hines et al. D8/373

1 Claim, 3 Drawing Sheets



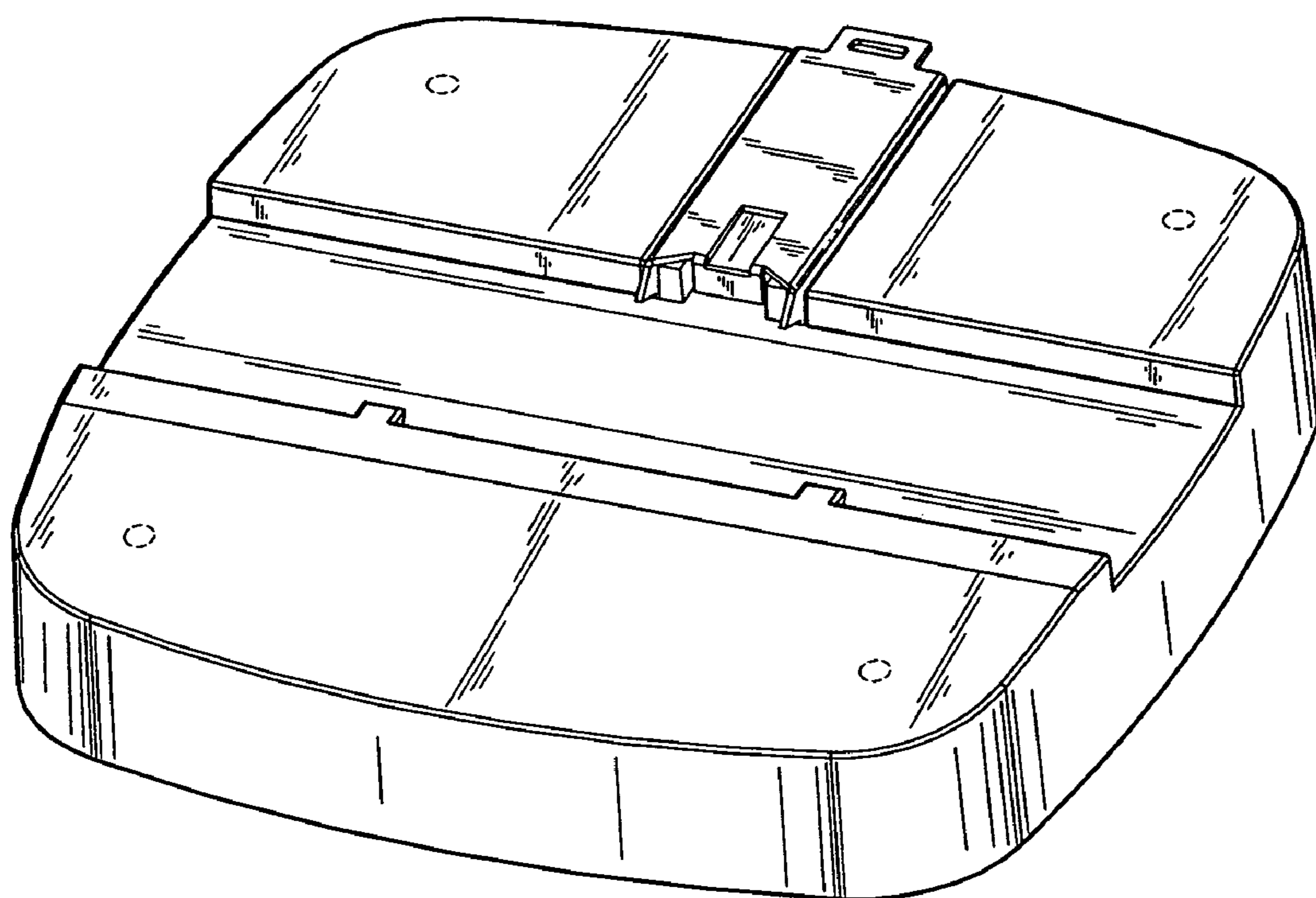


FIG. 1

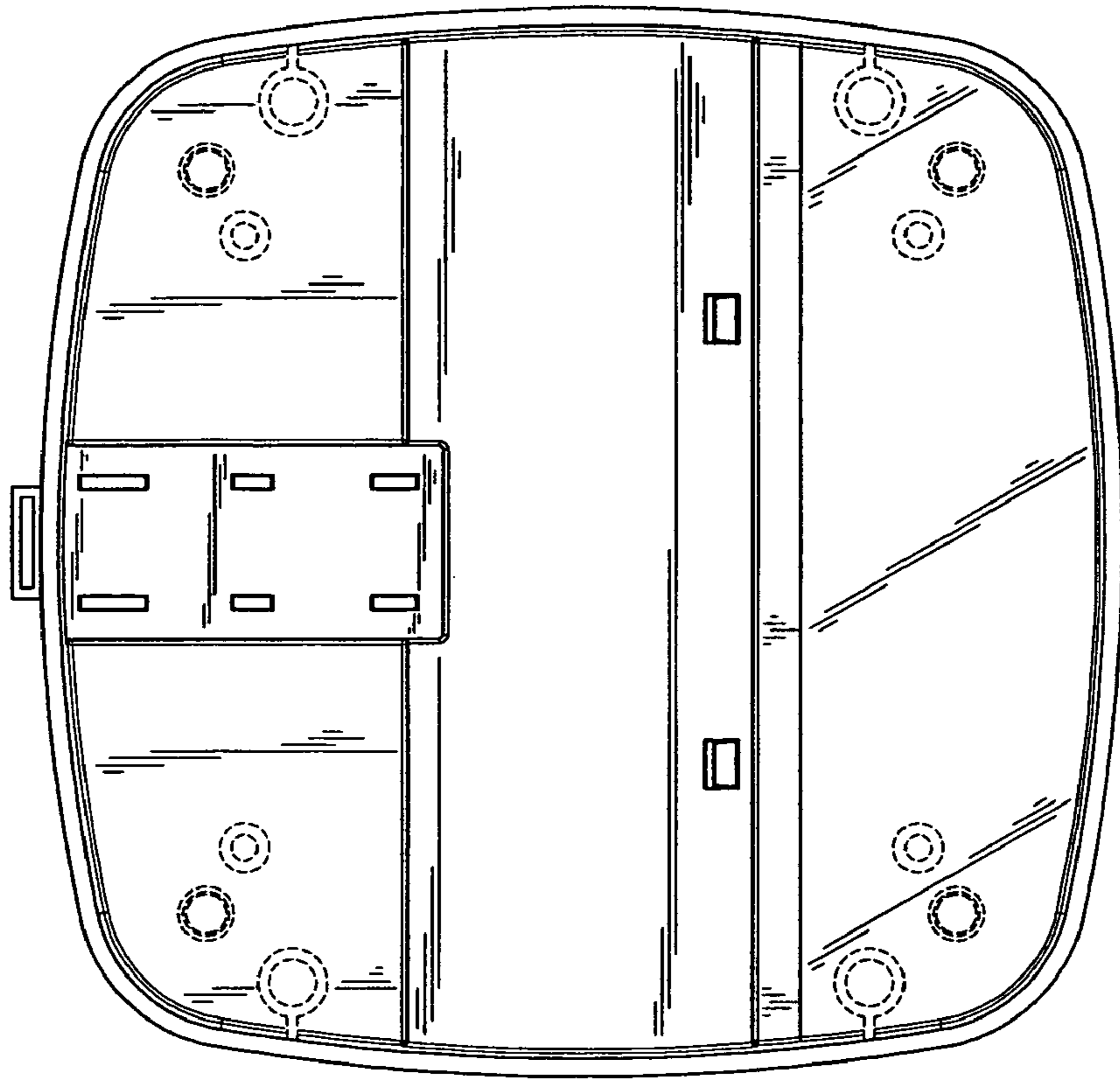


FIG. 2

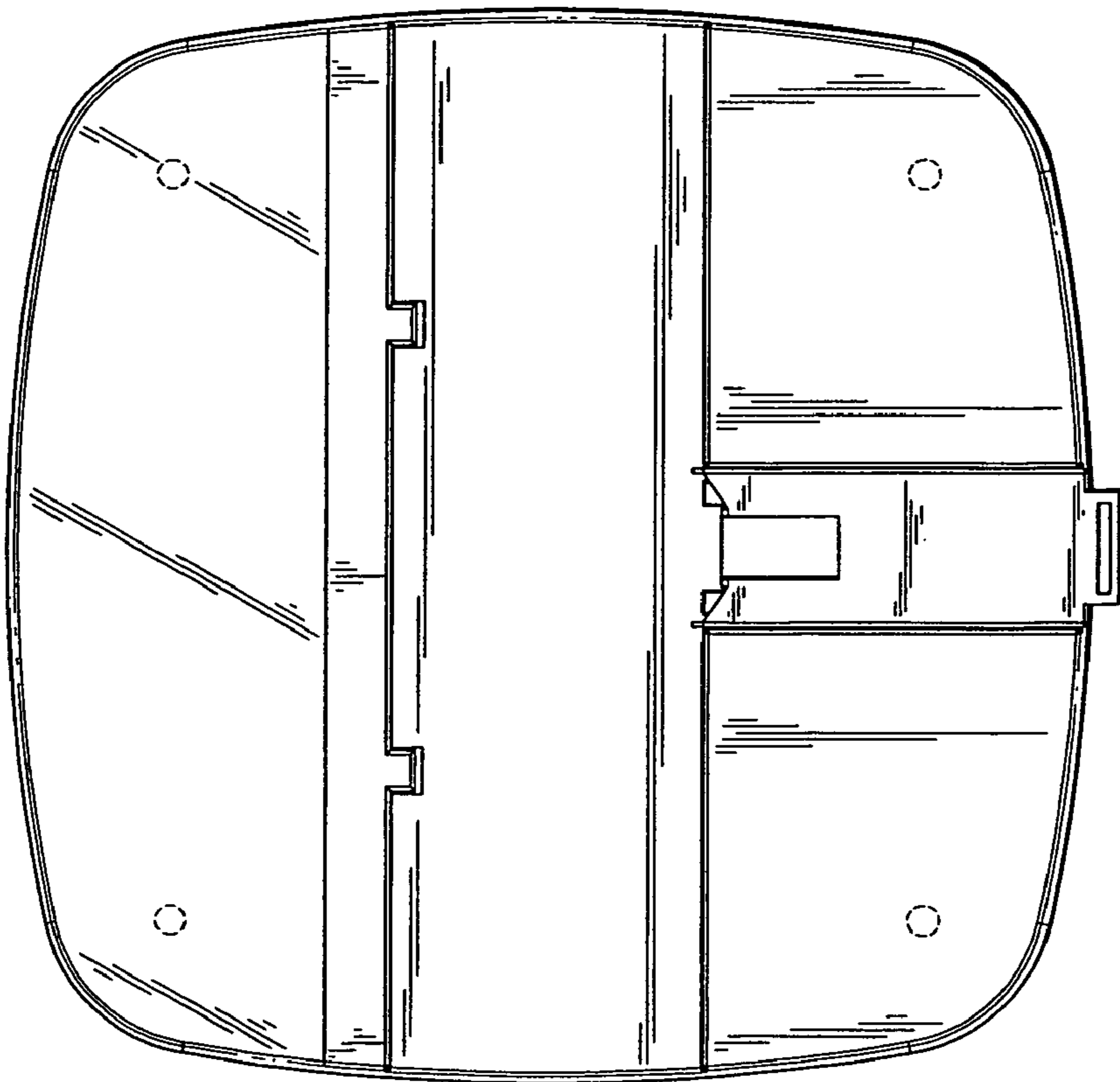


FIG. 3

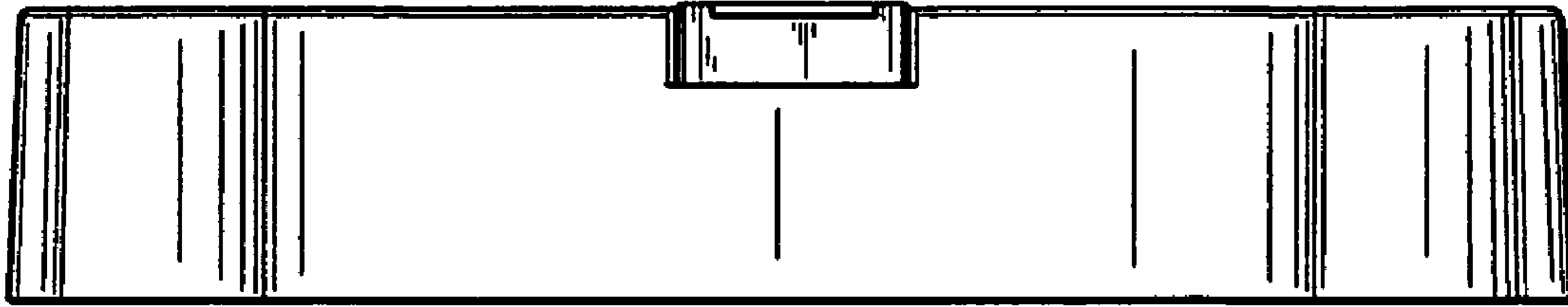


FIG. 4

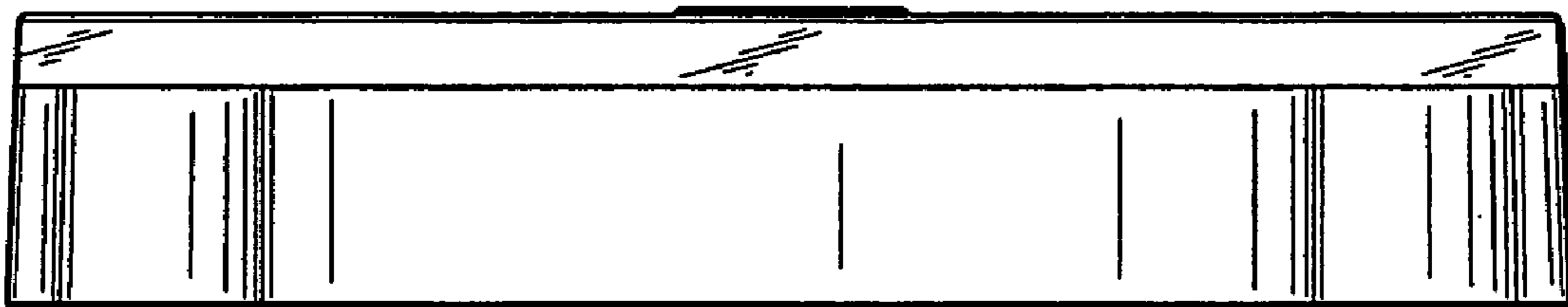


FIG. 5

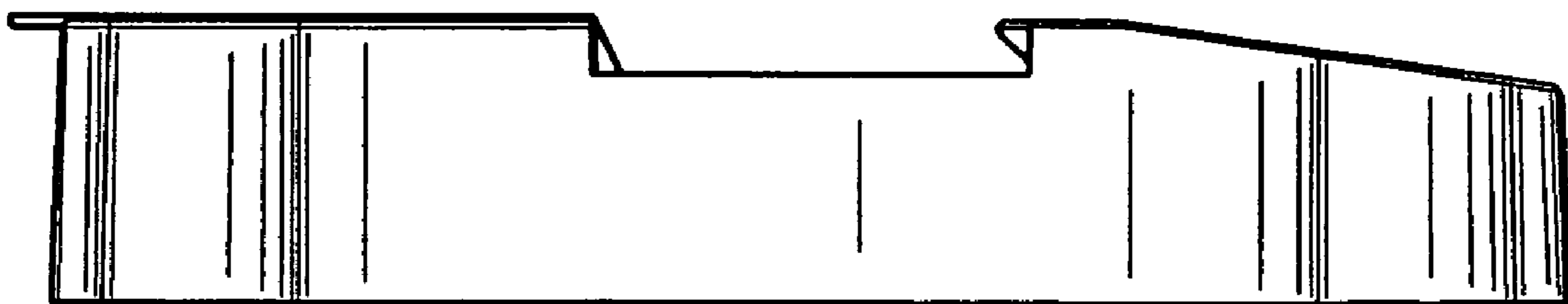


FIG. 6