

US00D545179S

(12) **United States Design Patent**  
**Mori et al.**

(10) **Patent No.:** **US D545,179 S**

(45) **Date of Patent:** **\*\* Jun. 26, 2007**

(54) **CABLE AND TIP HOLDER**

(75) Inventors: **Kenneth Mori**, Los Angeles, CA (US);  
**David A. Kleeman**, Marina del Rey,  
CA (US)

(73) Assignee: **Belkin International, Inc.**, Compton,  
CA (US)

(\*\*) Term: **14 Years**

(21) Appl. No.: **29/270,446**

(22) Filed: **Dec. 22, 2006**

**Related U.S. Application Data**

(63) Continuation of application No. 11/229,223, filed on  
Sep. 16, 2005.

(51) **LOC (8) Cl.** ..... **08-05**

(52) **U.S. Cl.** ..... **D8/356**

(58) **Field of Classification Search** ..... D8/382,  
D8/356, 354, 349, 105, 395, 394; 242/916,  
242/600, 405.2, 405.1, 400.1, 177, 160.3,  
242/159, 118; 439/501; 24/561; 248/214,  
248/229.26, 316.7

See application file for complete search history.

(56) **References Cited**

**U.S. PATENT DOCUMENTS**

3,019,500 A \* 2/1962 Duffin et al. .... 24/561  
3,043,902 A \* 7/1962 Klein ..... 248/316.7  
D207,057 S \* 2/1967 Palmer ..... D8/356  
3,521,332 A \* 7/1970 Kramer ..... 248/229.26

D229,743 S \* 1/1974 Moore ..... D8/395  
4,249,707 A \* 2/1981 Jones ..... 242/405.1  
D275,174 S \* 8/1984 Rolli ..... D8/356  
4,778,125 A 10/1988 Hu  
D323,972 S \* 2/1992 Rowland ..... D8/394  
5,168,999 A 12/1992 Lee et al.  
5,526,931 A 6/1996 White  
D392,180 S \* 3/1998 Bilow ..... D8/382  
6,024,317 A 2/2000 Kovacik et al.  
6,962,306 B2 11/2005 West  
7,040,587 B2 \* 5/2006 Thompson et al. .... 248/214  
2003/0228791 A1 12/2003 Milan  
2005/0070154 A1 3/2005 Milan

\* cited by examiner

*Primary Examiner*—Robert M. Spear

*Assistant Examiner*—Susan Bennett Hattan

(74) *Attorney, Agent, or Firm*—Bryan Cave LLP

(57) **CLAIM**

I claim the ornamental design for a cable and tip holder, as  
shown and described.

**DESCRIPTION**

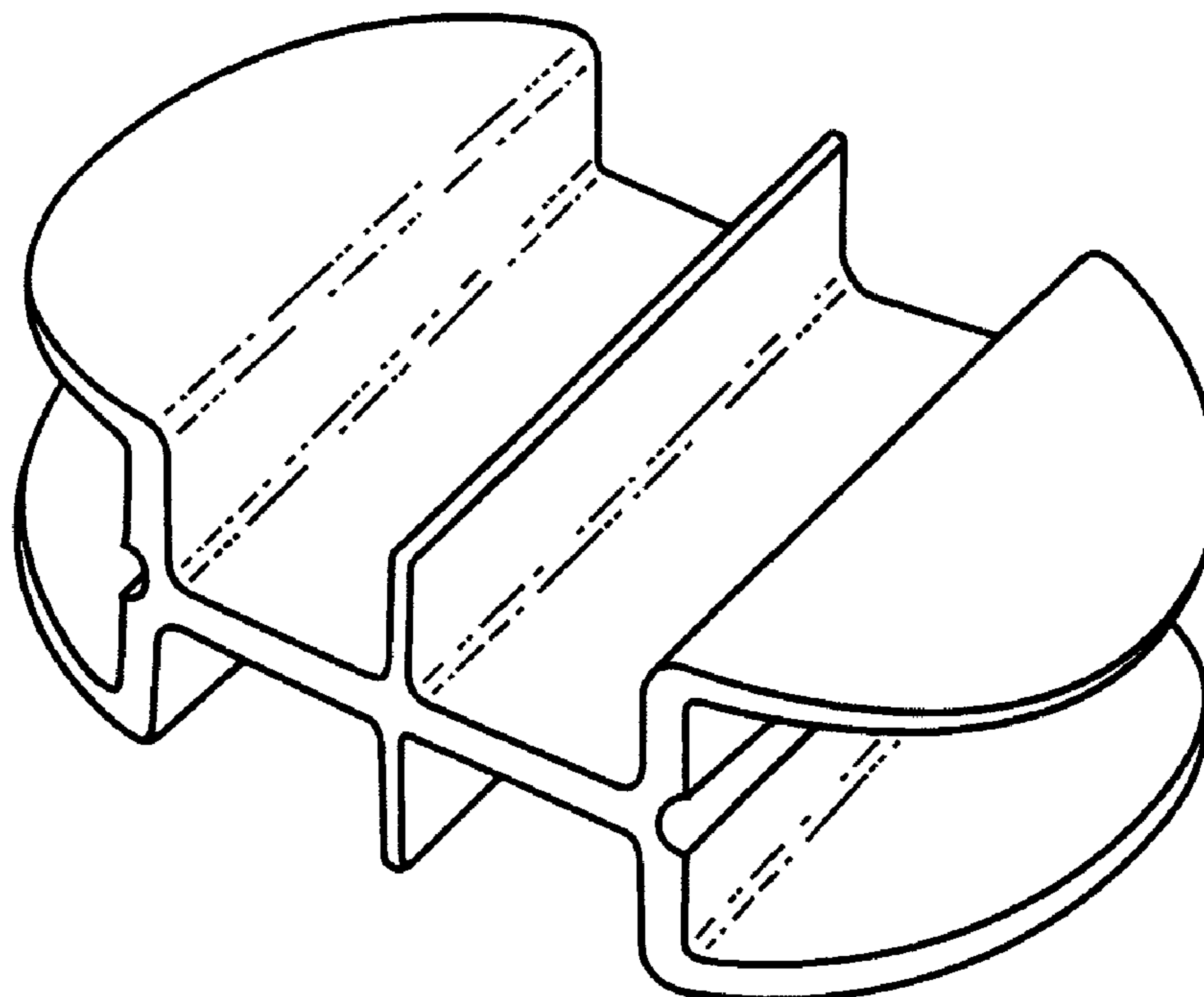
FIG. 1 is an isometric view of the cable and tip holder;

FIG. 2 is a top view, a bottom view being a mirror image  
thereof;

FIG. 3 is a left side view of the cable and tip holder a right  
side view being a mirror image thereof; and,

FIG. 4 is an end view, an opposite end view being a mirror  
image thereof.

**1 Claim, 2 Drawing Sheets**



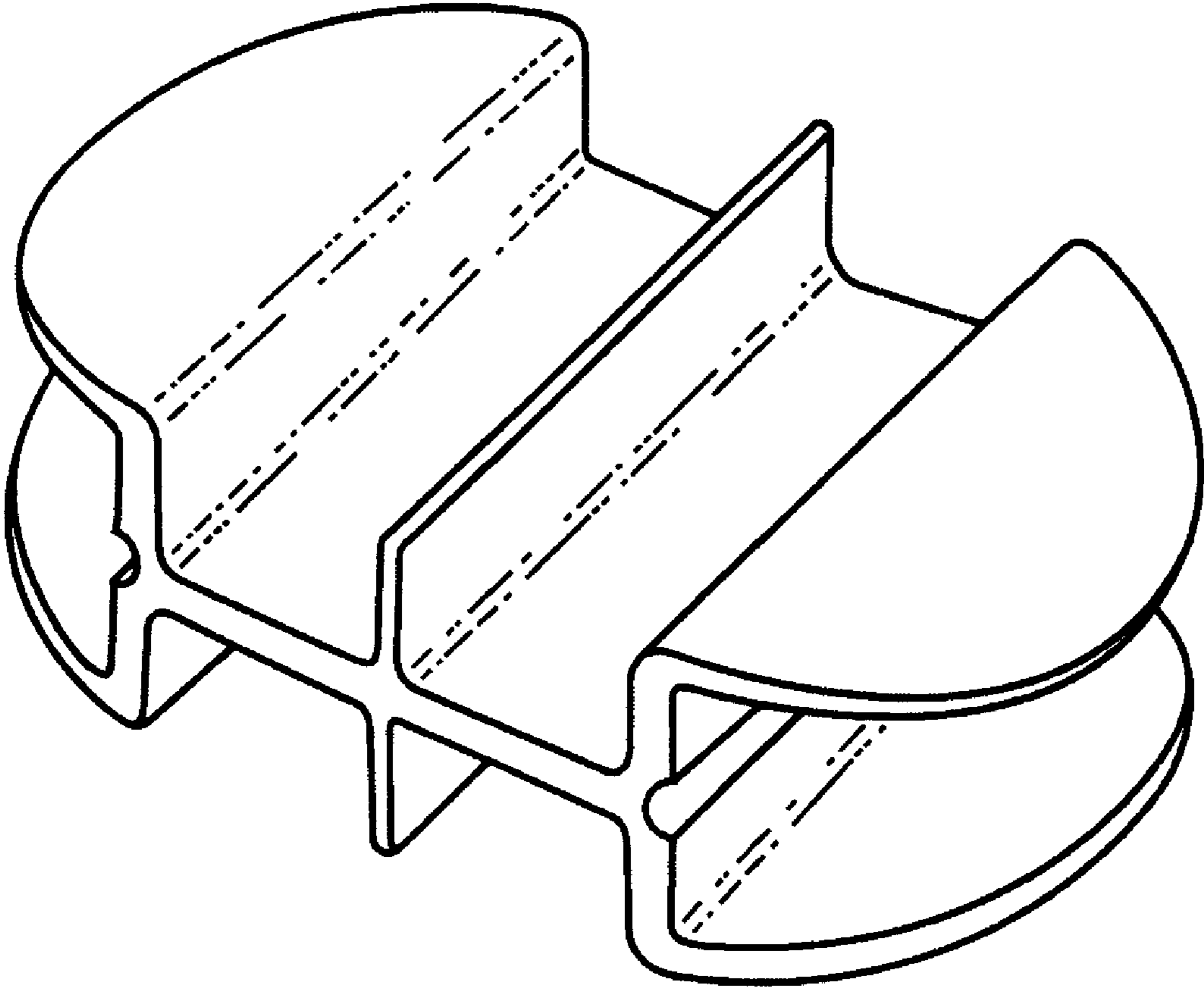


Fig. 1

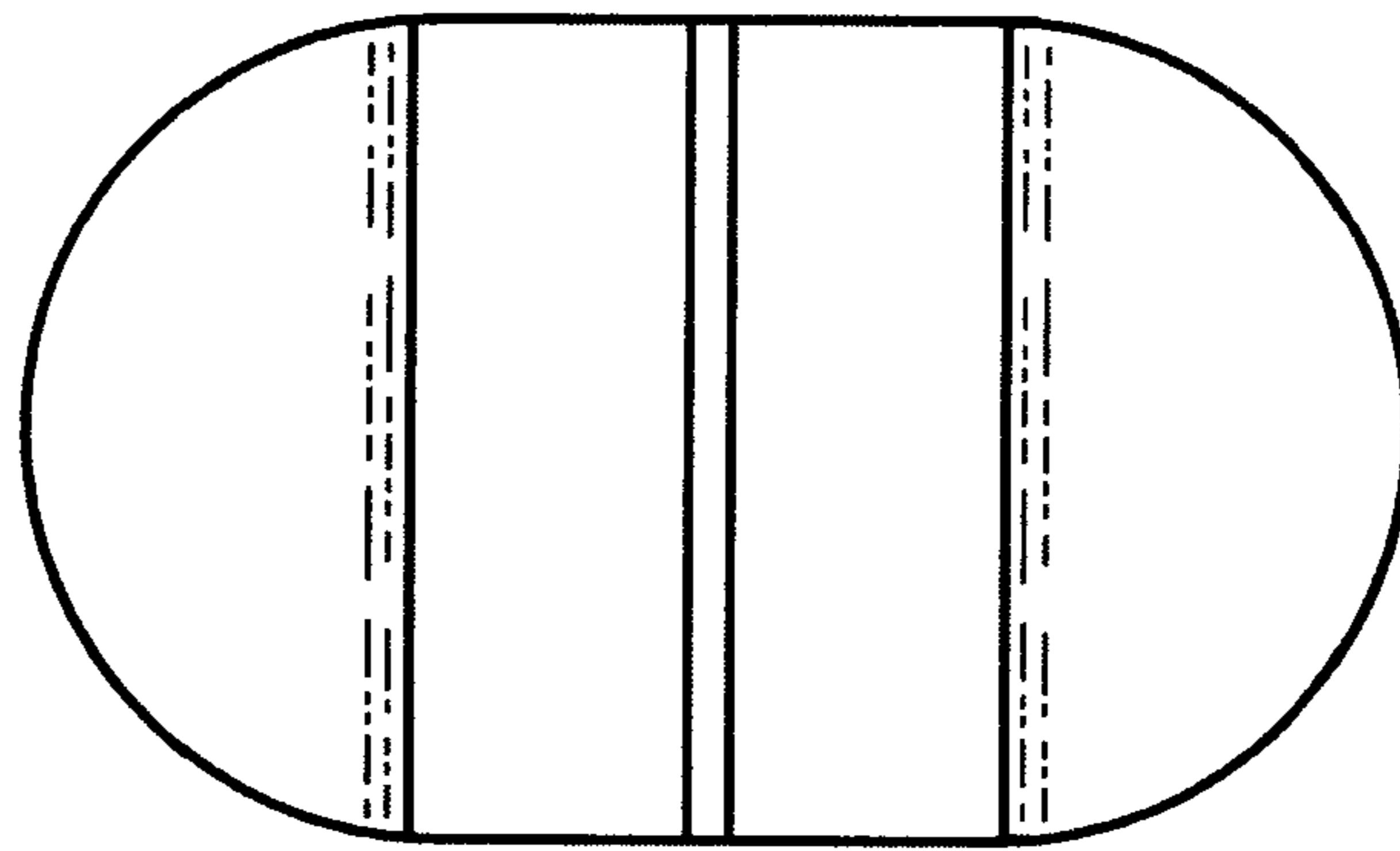


Fig. 2

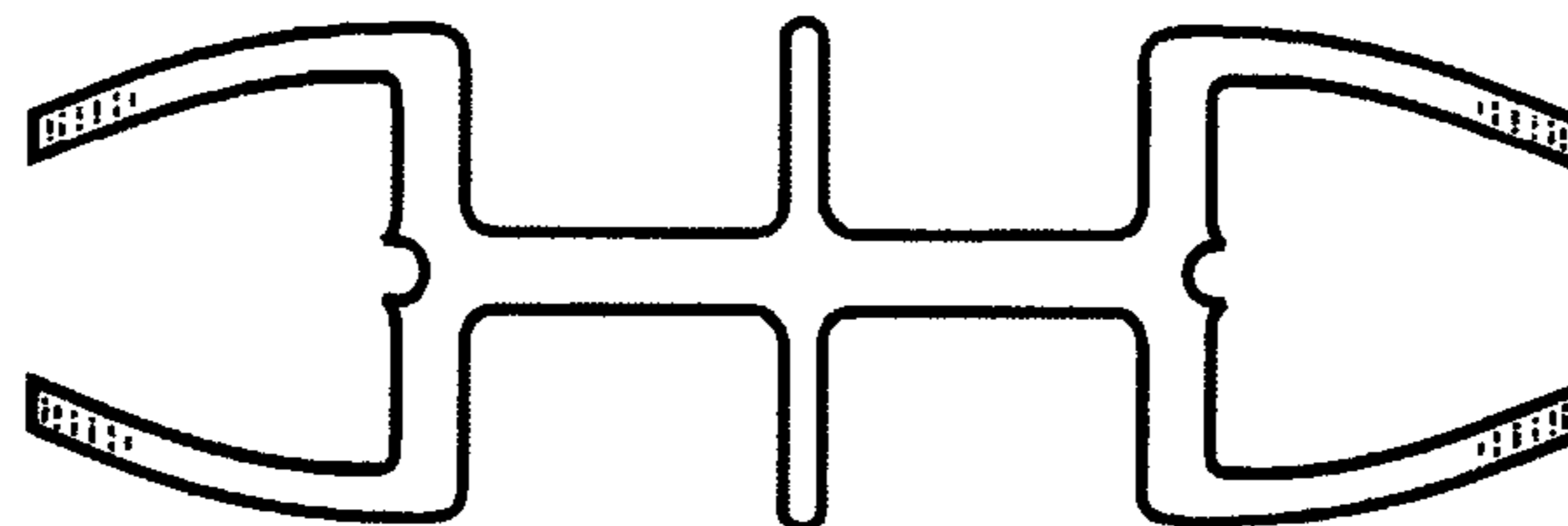


Fig. 3

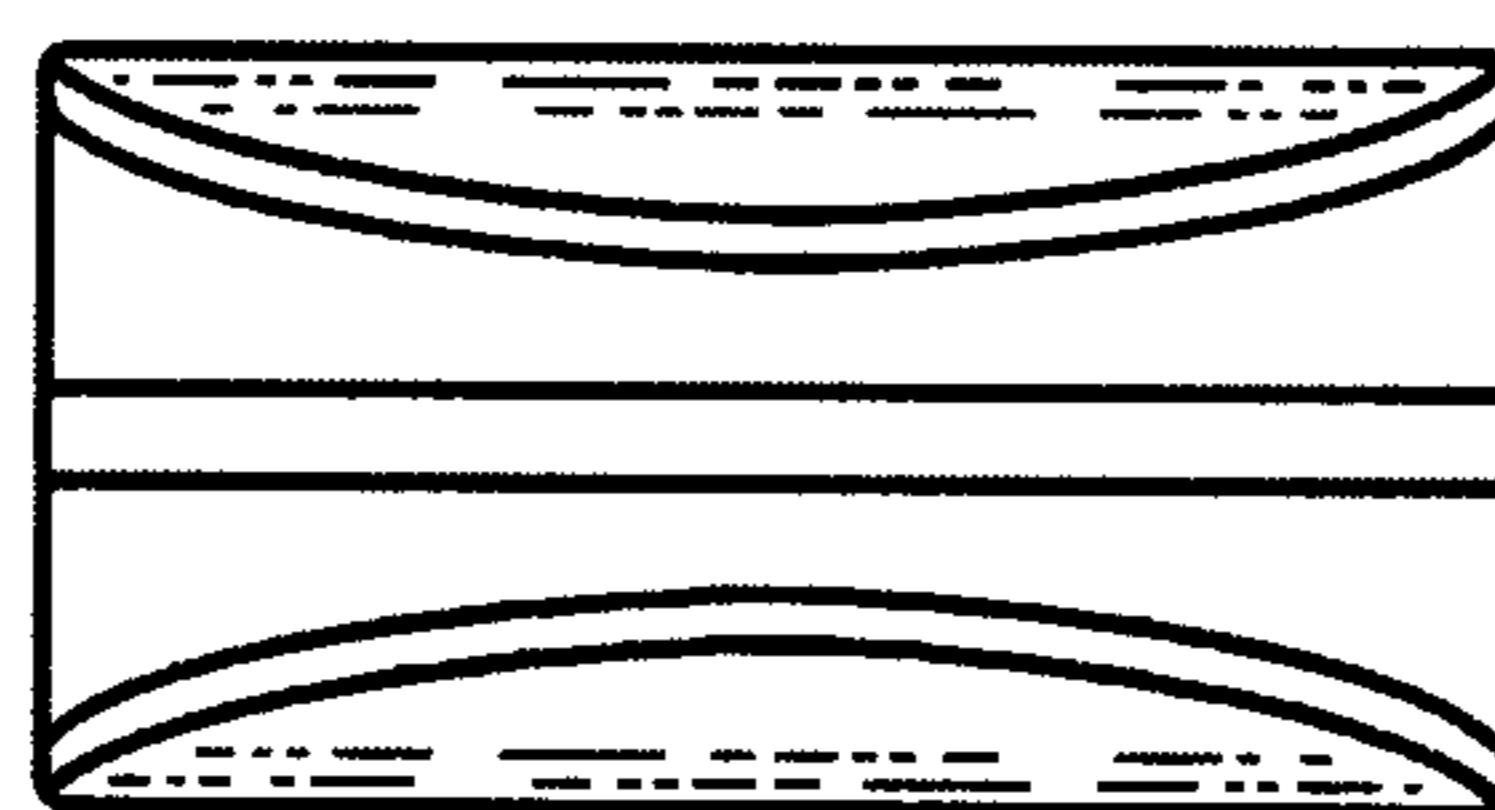


Fig. 4