



US00D545178S

(12) **United States Design Patent** (10) **Patent No.:** **US D545,178 S**
Vito (45) **Date of Patent:** **** Jun. 26, 2007**

(54) **SHACKLE**

(74) *Attorney, Agent, or Firm*—Volpe & Koenig PC

(75) Inventor: **Robert A. Vito**, Berwyn, PA (US)

(57) **CLAIM**

(73) Assignee: **Unbreakable Company**, Berwyn, PA (US)

The ornamental design for a shackle, as shown and described.

(**) Term: **14 Years**

DESCRIPTION

(21) Appl. No.: **29/270,690**

FIG. 1 is a perspective view of a shackle according to a first preferred embodiment of my new design;

(22) Filed: **Dec. 29, 2006**

FIG. 2 is a front elevational view of the shackle of FIG. 1;

Related U.S. Application Data

FIG. 3 is a top plan view of the shackle of FIG. 1;

(62) Division of application No. 29/210,985, filed on Aug. 10, 2004.

FIG. 4 is a left side elevational view of the shackle of FIG. 1;

(51) **LOC (8) Cl.** **08-07**

FIG. 5 is a right side elevational view of the shackle of FIG. 1;

(52) **U.S. Cl.** **D8/343**

FIG. 6 is a rear elevational view of the shackle of FIG. 1;

(58) **Field of Classification Search** D8/330–348;
70/14, 18, 20–26, 32–35, 38 A, 38 B, 53,
70/288, 293, 459, 50, 43

FIG. 7 is bottom plan view of the shackle of FIG. 1;

See application file for complete search history.

FIG. 8 is a perspective view of a shackle according to a second preferred embodiment of my new design;

(56) **References Cited**

FIG. 9 is a second perspective view of the shackle of FIG. 8;

U.S. PATENT DOCUMENTS

228,656	A	6/1880	Loch	
D32,638	S *	5/1900	Voight	D8/334
661,560	A *	11/1900	Stall	70/26
666,231	A *	1/1901	Lawson	70/20
1,522,851	A	1/1925	Wright	
1,629,388	A *	5/1927	Jackson	70/50
1,690,041	A	10/1928	Sundquist	
1,777,424	A *	10/1930	Atkins	70/26
2,375,488	A	5/1945	Olson	
2,904,985	A	9/1959	Murphy	
4,224,813	A	9/1980	Hampton	
D292,869	S	11/1987	Lebrecht	
4,829,795	A	5/1989	Taylor	
5,372,019	A *	12/1994	Hsiao	70/38 A
D528,402	S *	9/2006	Ruan	D8/343

FIG. 10 is a front elevational view of the shackle of FIG. 8;

FIG. 11 is a top plan view of the shackle of FIG. 8;

FIG. 12 is a right side elevational view of the shackle of FIG. 8;

FIG. 13 is a left side elevational view of the shackle of FIG. 8;

FIG. 14 is rear elevational view of the shackle of FIG. 8;

FIG. 15 is a bottom plan view of the shackle of FIG. 8; and,

FIG. 16 is a perspective view of a shackle according to a third preferred embodiment of my new design.

The dashed lines in FIGS. 1-16 represent environment and are for illustrative purposes only and do not constitute part of the claimed design. The phantom lines in FIGS. 1-16 define the border between claimed and unclaimed matter.

* cited by examiner

Primary Examiner—Mitchell Siegel

1 Claim, 4 Drawing Sheets

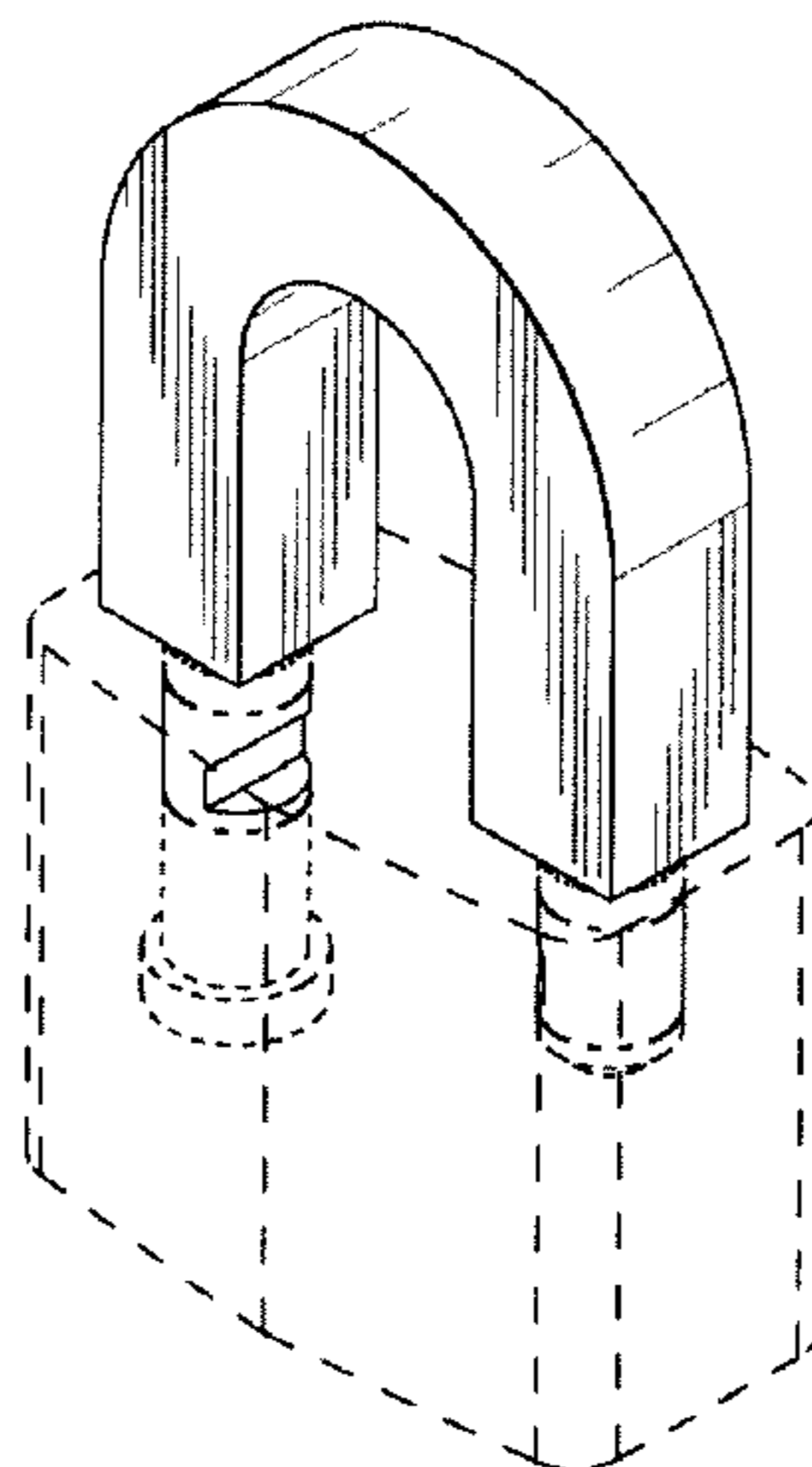


FIG. 1

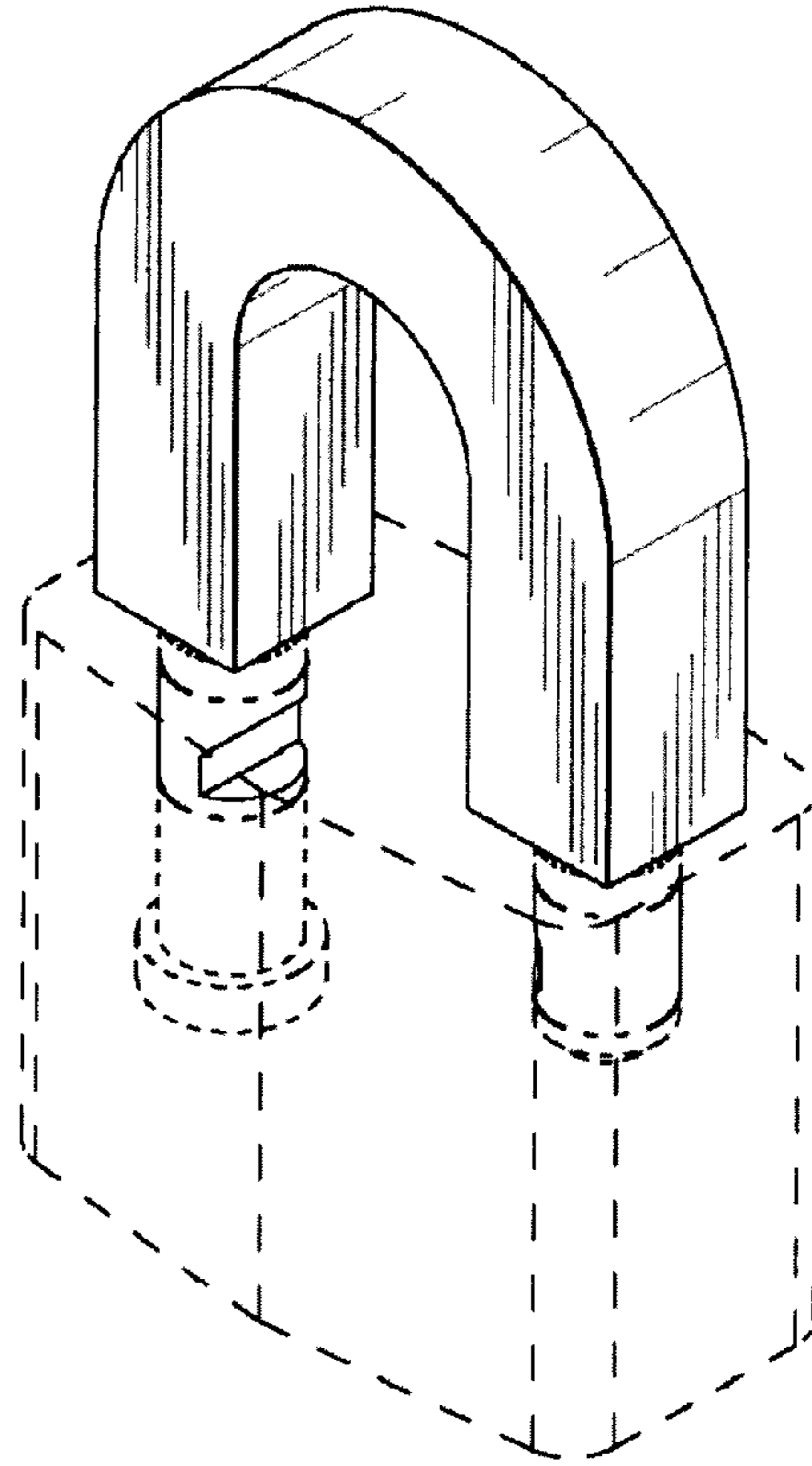


FIG. 3

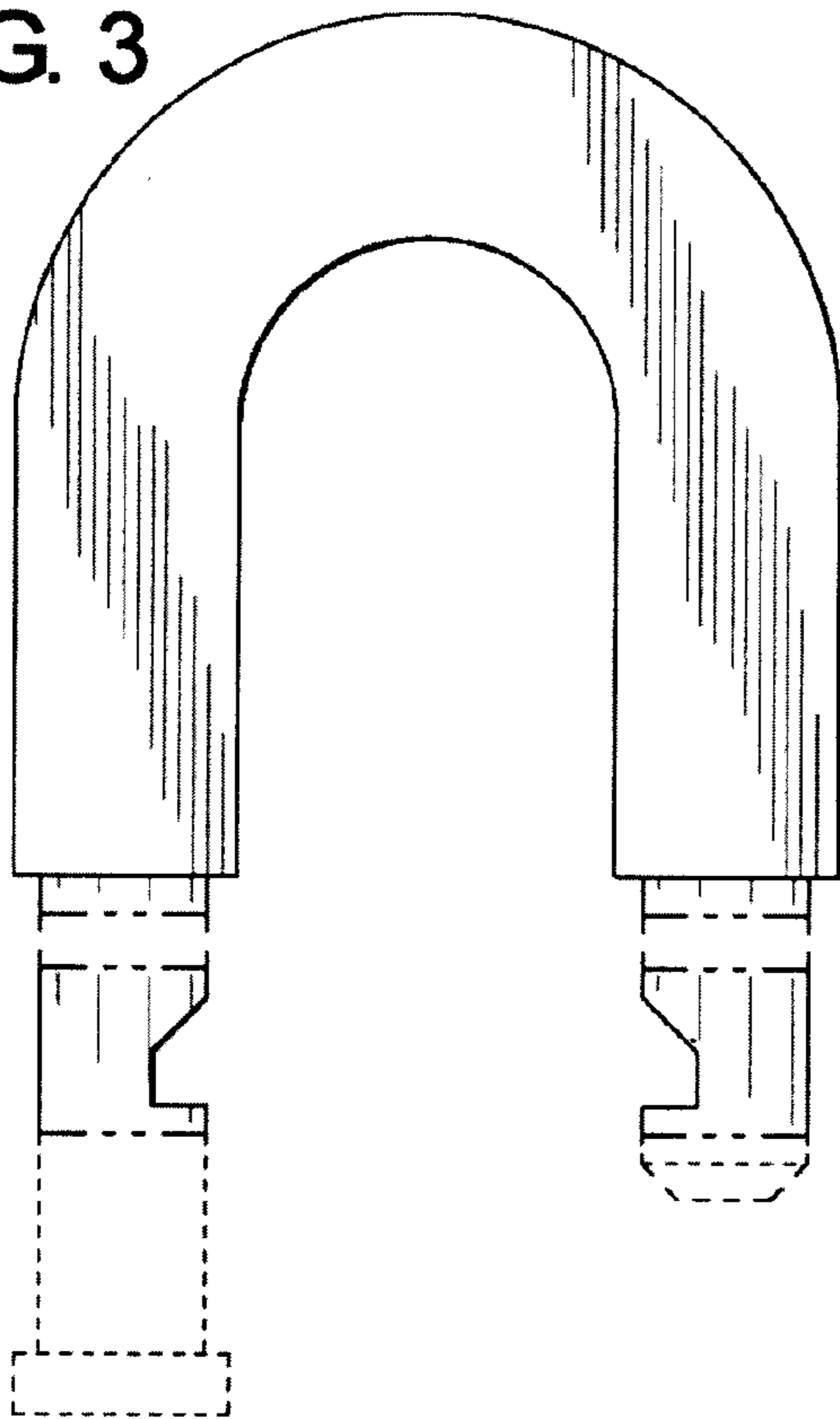


FIG. 2

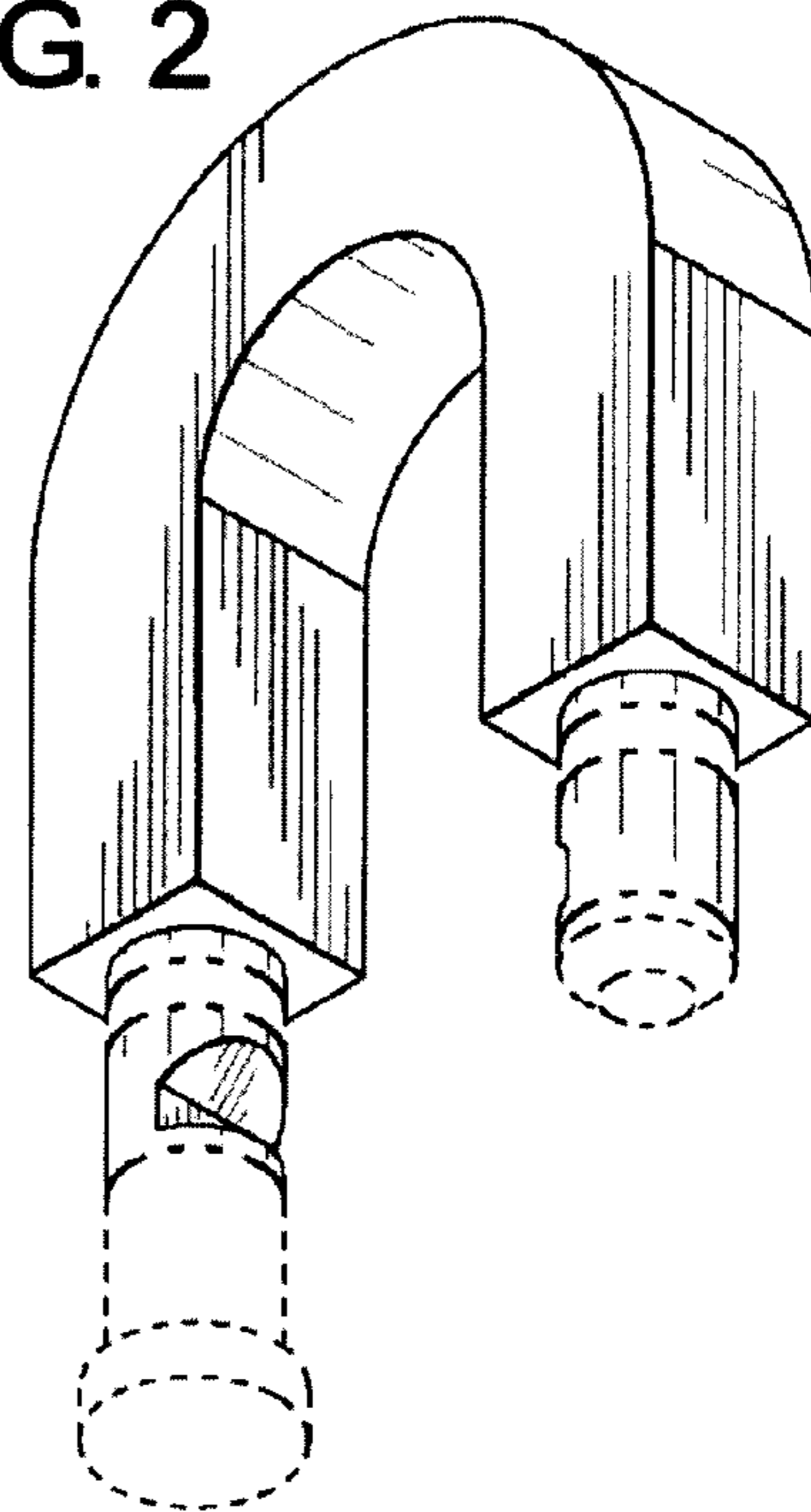
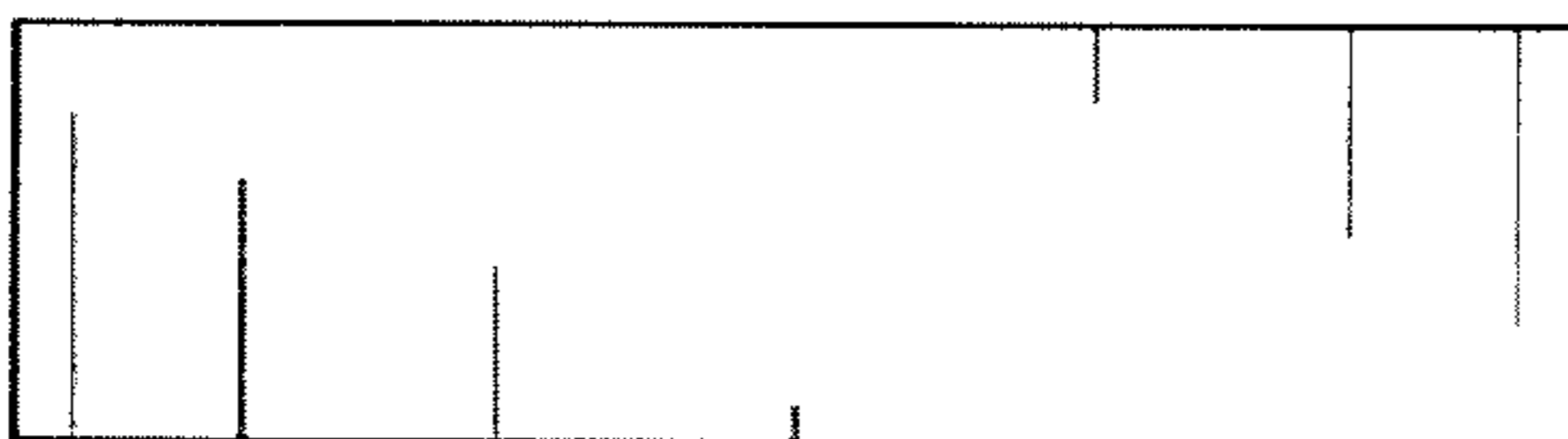


FIG. 4



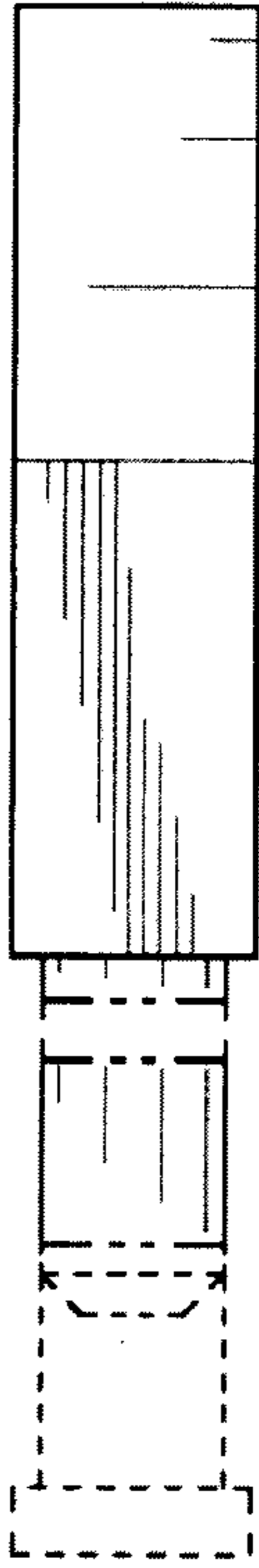


FIG. 5



FIG. 6

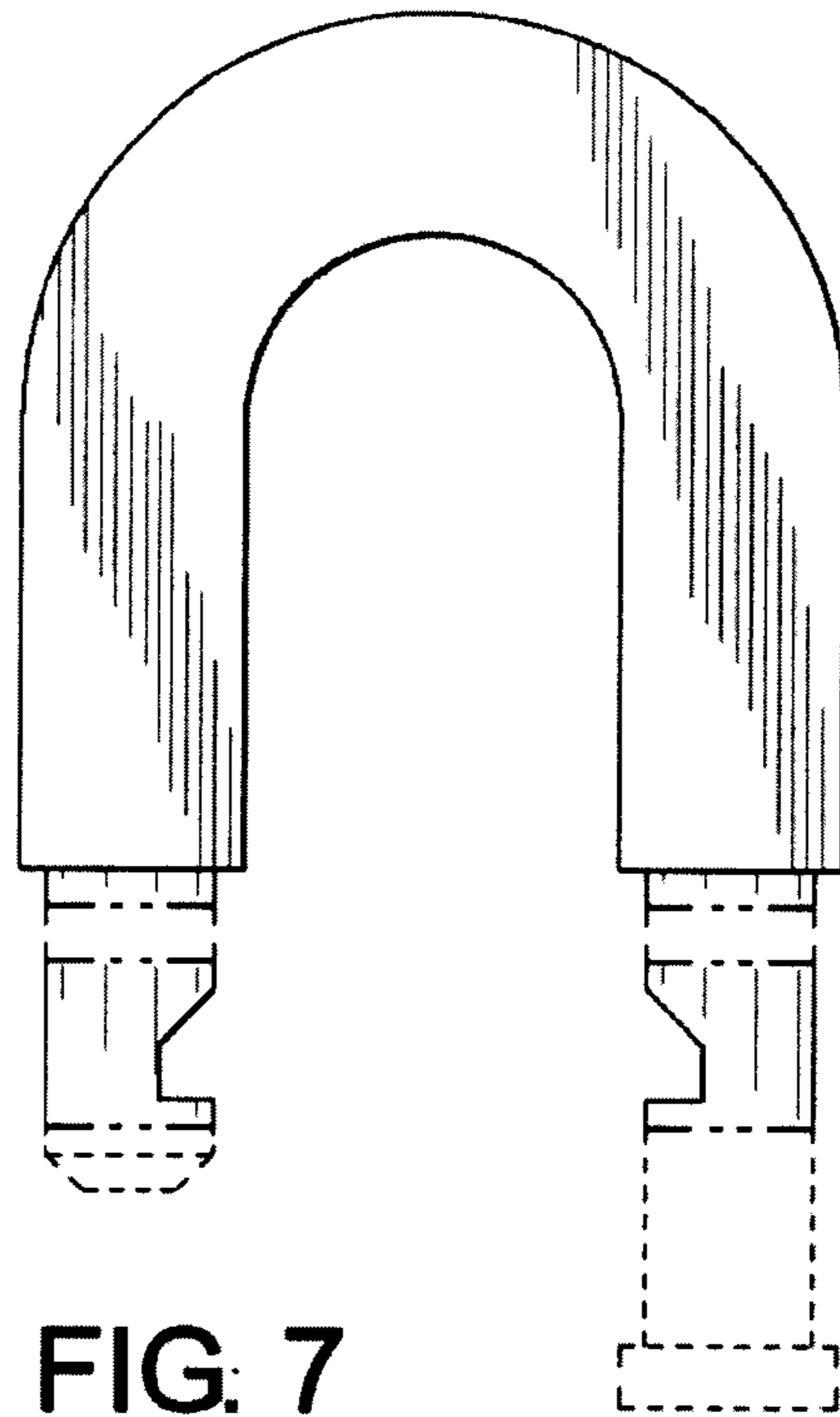


FIG. 7

FIG. 8

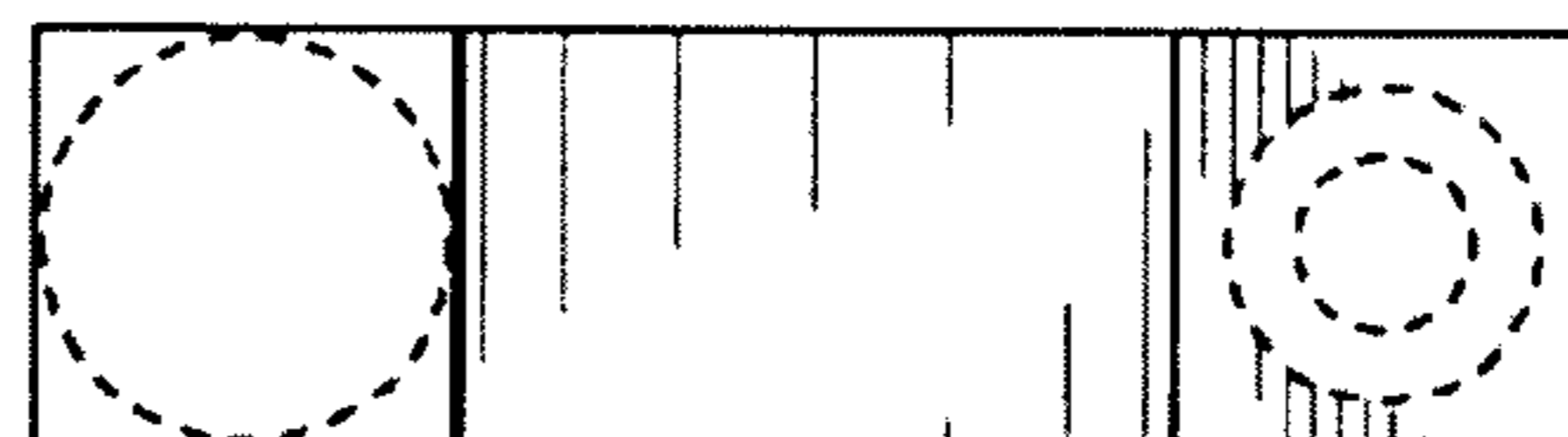


FIG. 9

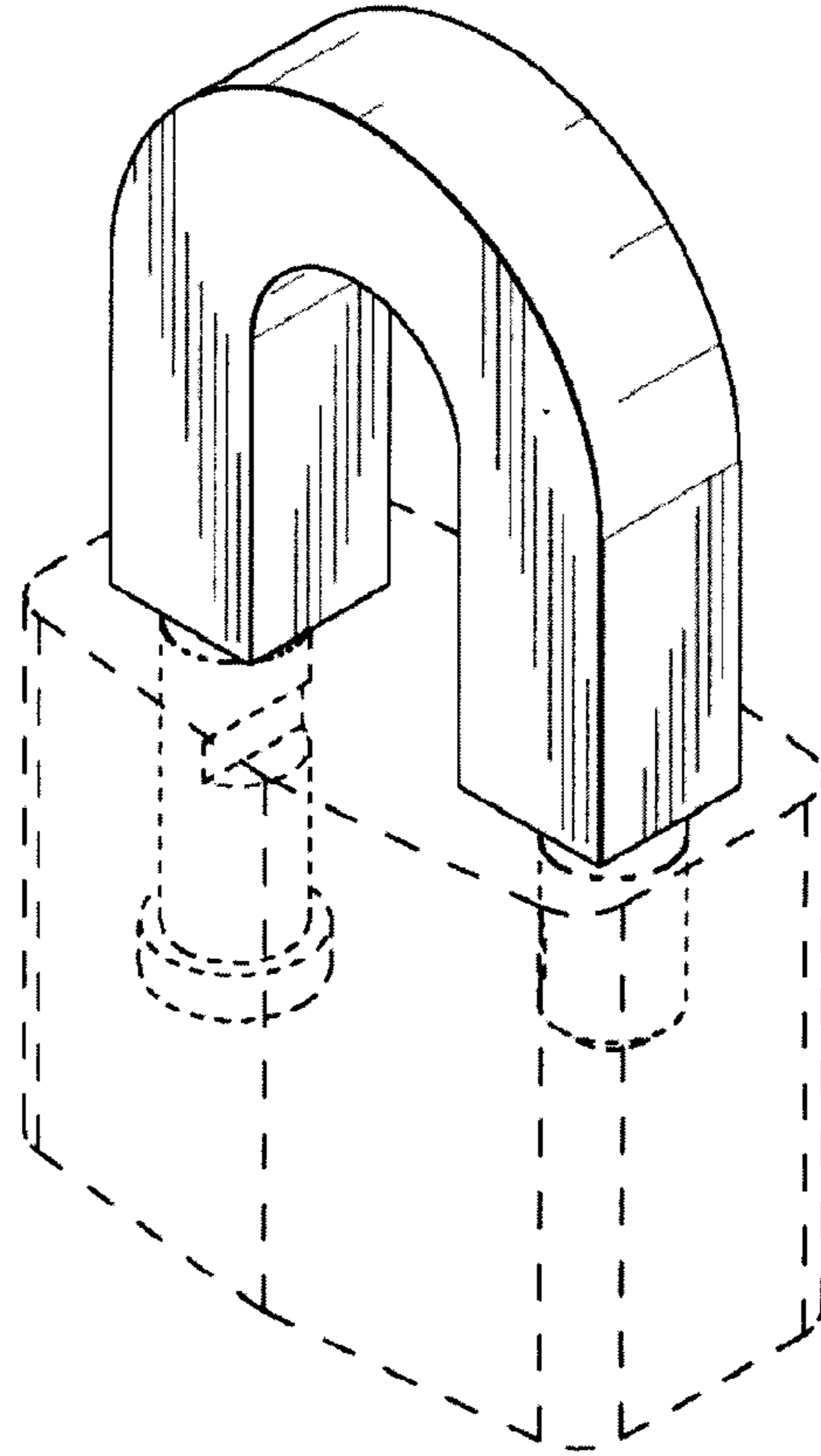


FIG. 11

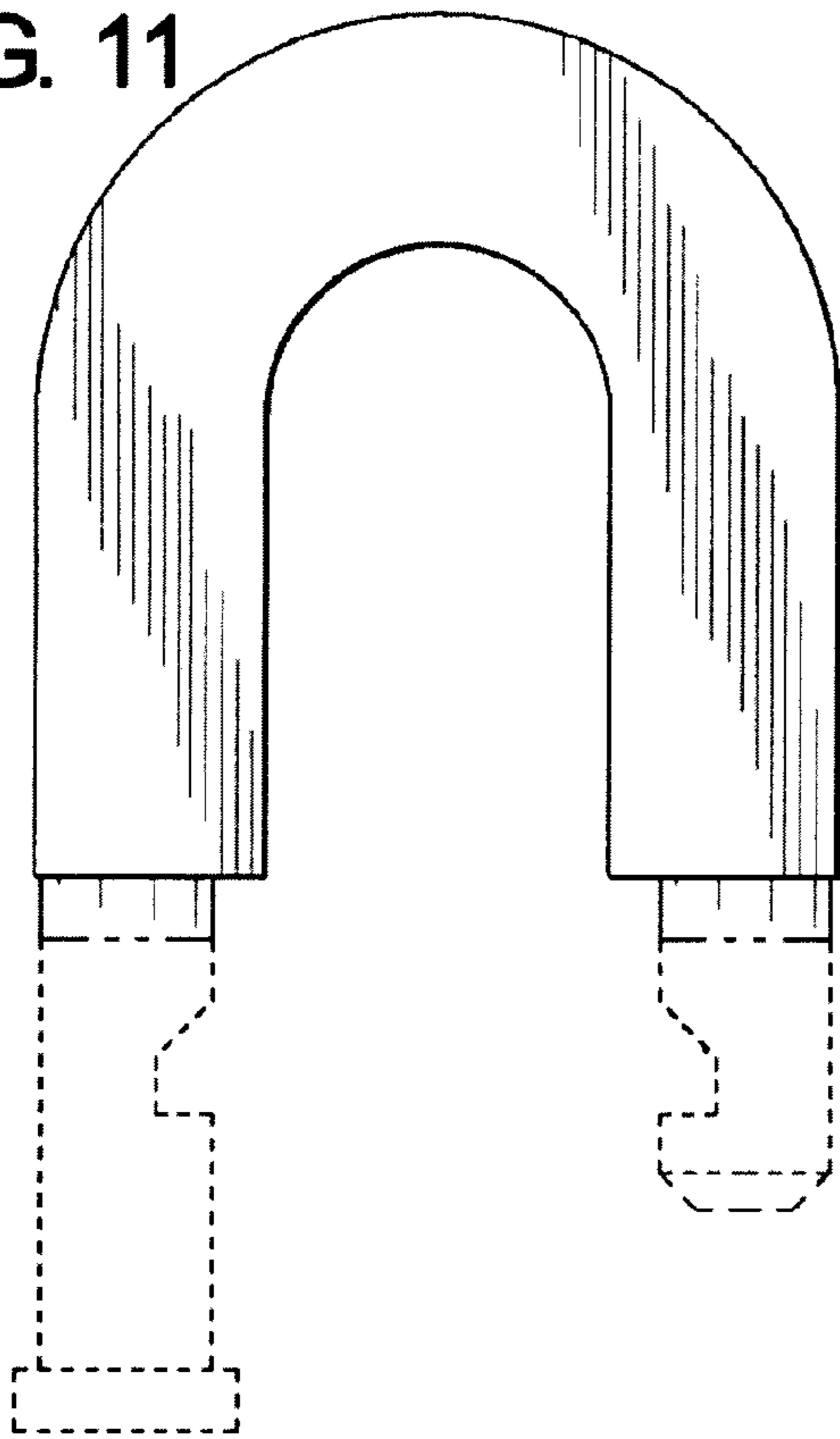


FIG. 10

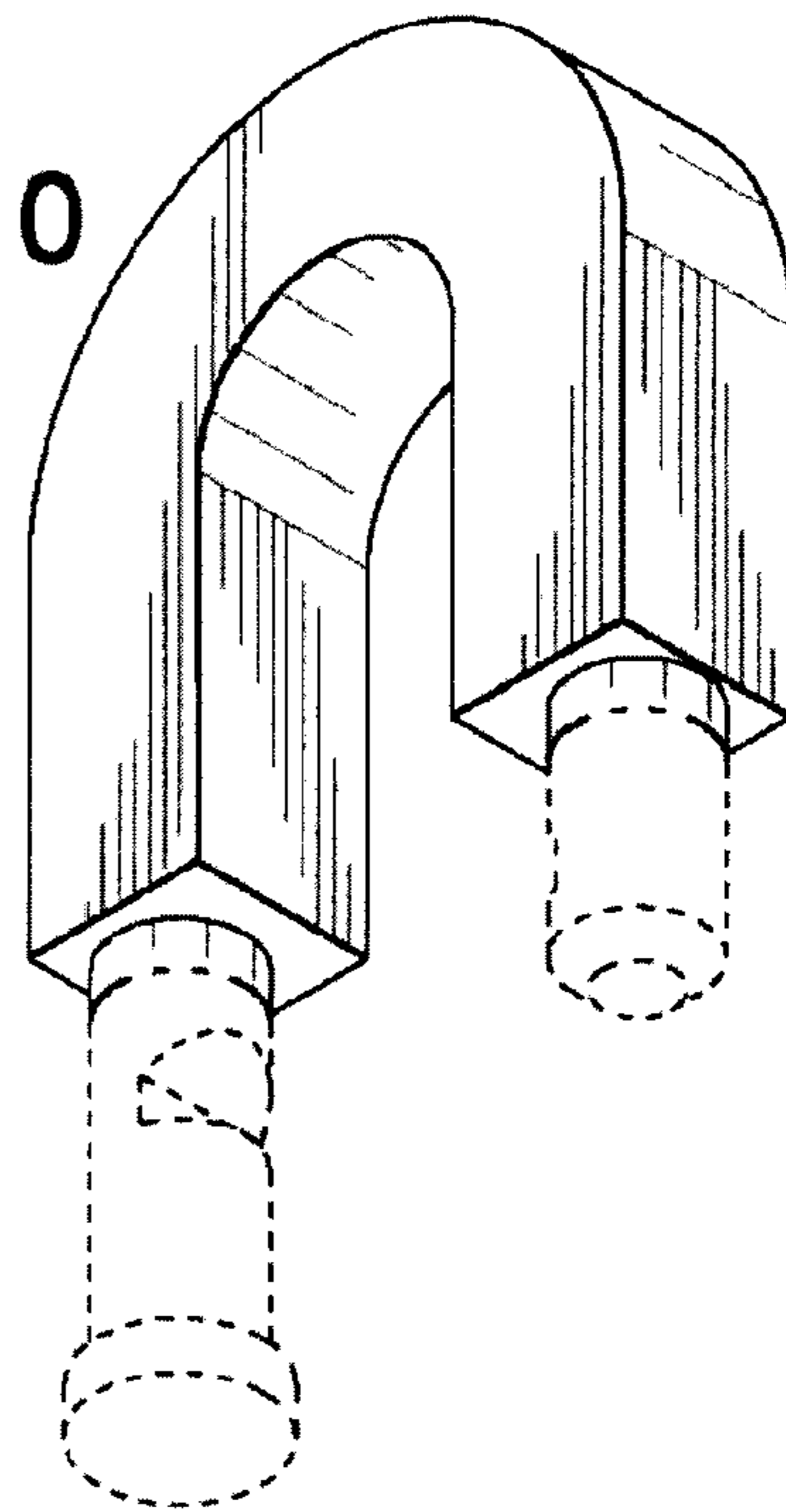


FIG. 12

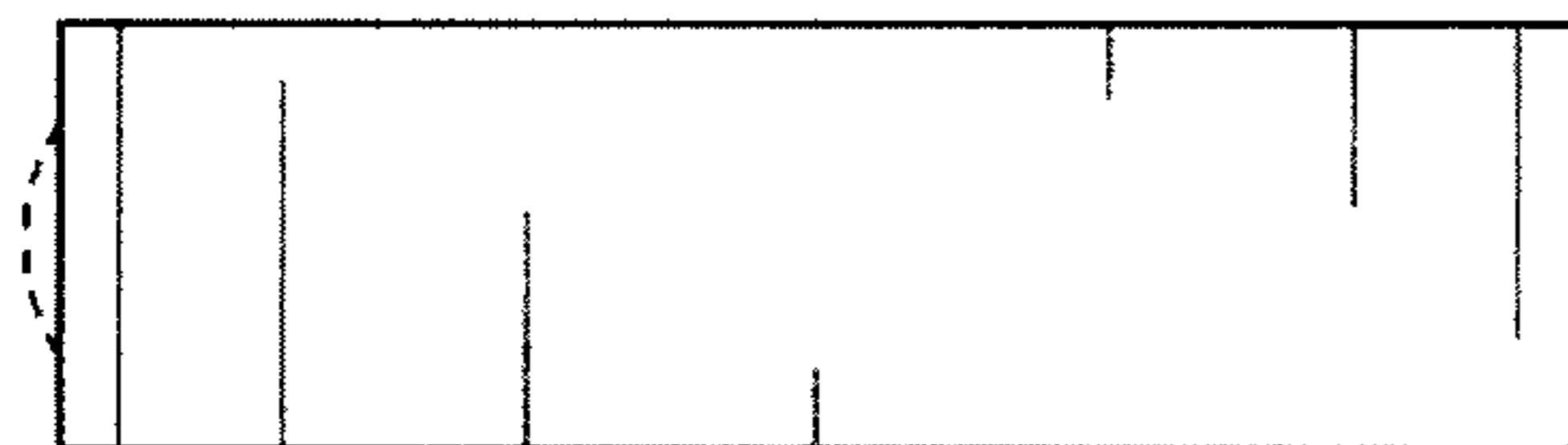




FIG. 13

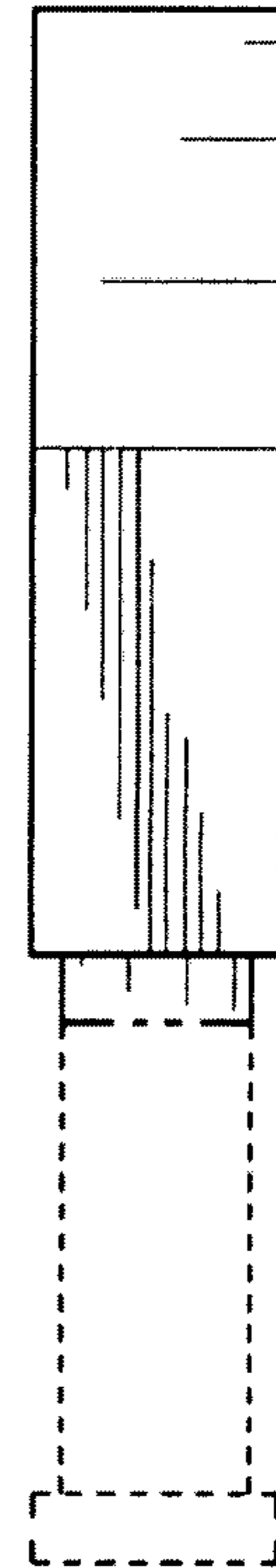


FIG. 14

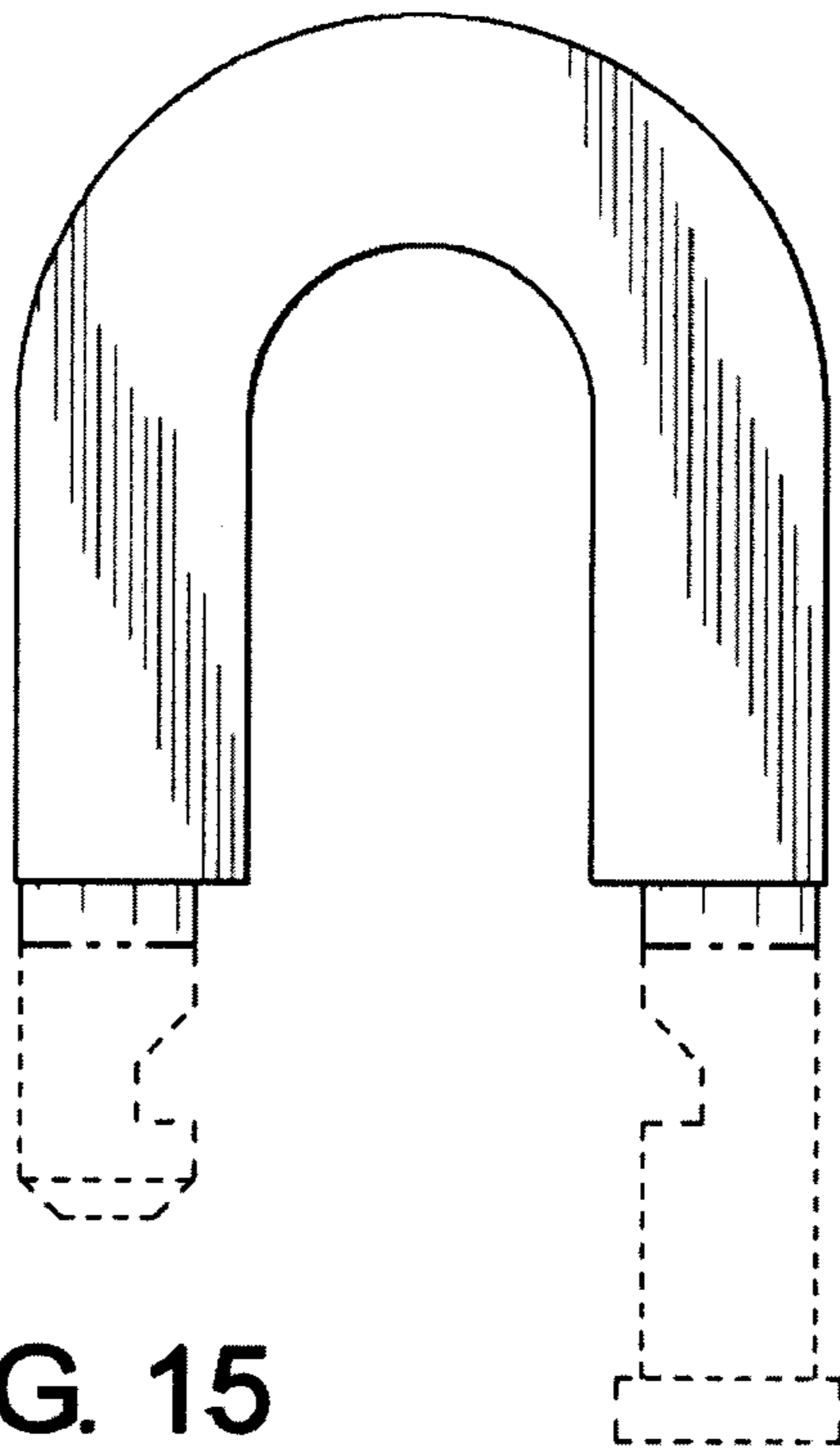


FIG. 15

FIG. 16

