



US00D545172S

(12) **United States Design Patent**
Kaiser et al.

(10) **Patent No.:** **US D545,172 S**

(45) **Date of Patent:** **** Jun. 26, 2007**

(54) **KEYPAD ESCUTCHEON**

D470,033 S * 2/2003 Fleury et al. D8/302
D474,103 S * 5/2003 Kaiser et al. D8/350
D495,943 S * 9/2004 Hentschel et al. D8/330

(75) Inventors: **David Kaiser**, North Haven, CT (US);
Ronald S. Slusarski, Narragansett, RI
(US); **Paul Nunez**, Orange, CT (US);
Kevin A. Polak, Southington, CT (US)

* cited by examiner

Primary Examiner—Mitchell Siegel

(74) *Attorney, Agent, or Firm*—DeLio & Peterson, LLC

(73) Assignee: **Sargent Manufacturing Company**,
New Haven, CT (US)

(57) **CLAIM**

(**) Term: **14 Years**

The ornamental design for a keypad escutcheon, as shown
and described.

(21) Appl. No.: **29/225,933**

(22) Filed: **Mar. 21, 2005**

DESCRIPTION

(51) **LOC (8) Cl.** **08-07**

FIG. 1 is a front view of a mortise lock keypad escutcheon
according to the present invention.

(52) **U.S. Cl.** **D8/331**

FIG. 2 is a right side view of a mortise lock keypad
escutcheon according to the present invention, the left side
being substantially identical.

(58) **Field of Classification Search** D8/330-348;
70/207-209, 278.1, 90, 92, 277-279, 472,
70/104, 124; 340/825.31

FIG. 3 is a back view of a mortise lock keypad escutcheon
according to the present invention.

See application file for complete search history.

FIG. 4 is a top view of a keypad escutcheon according to the
present invention; and,

(56) **References Cited**

FIG. 5 is a bottom view of a keypad escutcheon according
to the present invention.

U.S. PATENT DOCUMENTS

5,475,996 A * 12/1995 Chen 70/279.1
6,286,347 B1 * 9/2001 Frolov 70/472
6,378,344 B1 * 4/2002 Gartner 70/278.1

1 Claim, 2 Drawing Sheets

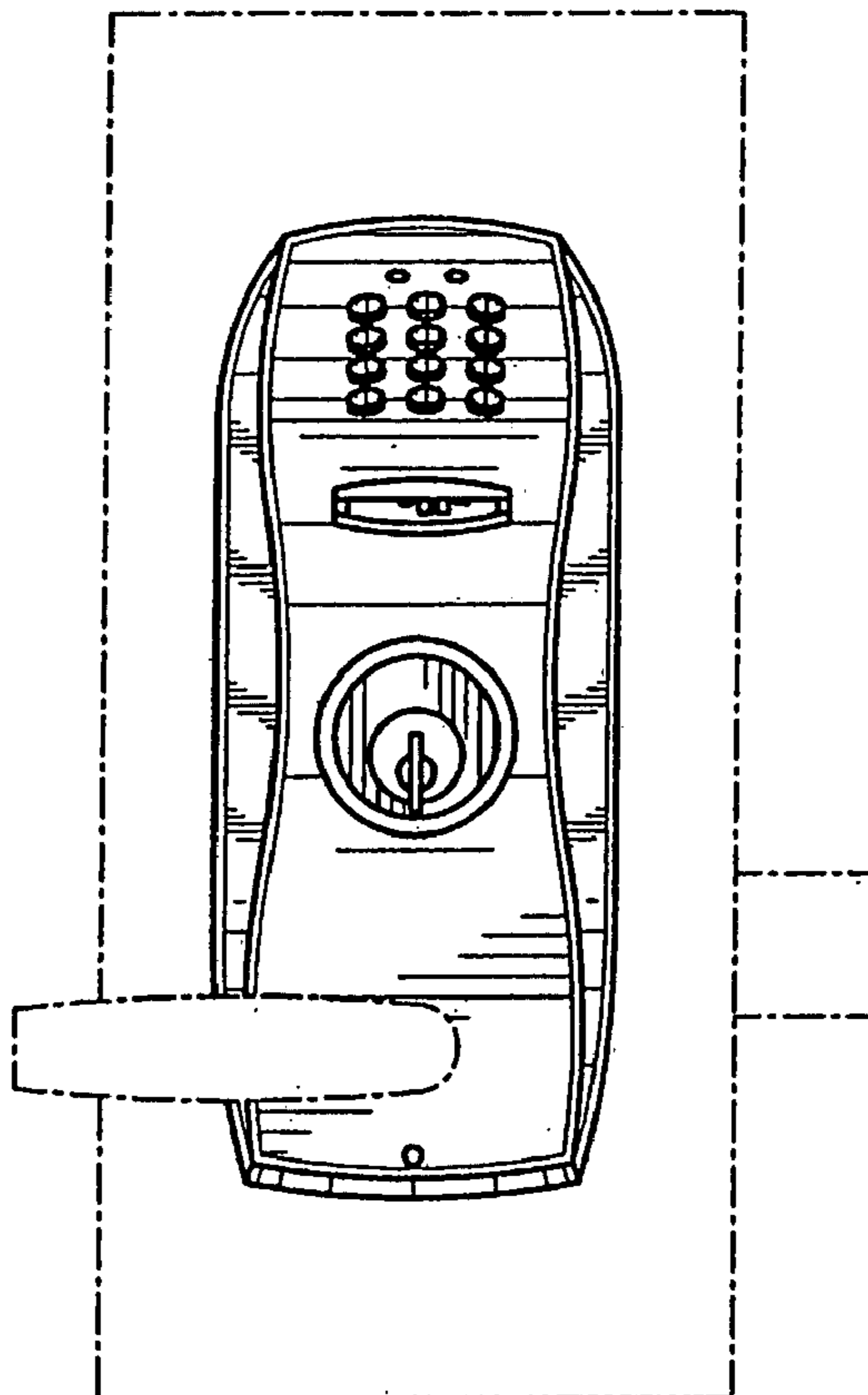


FIG.1

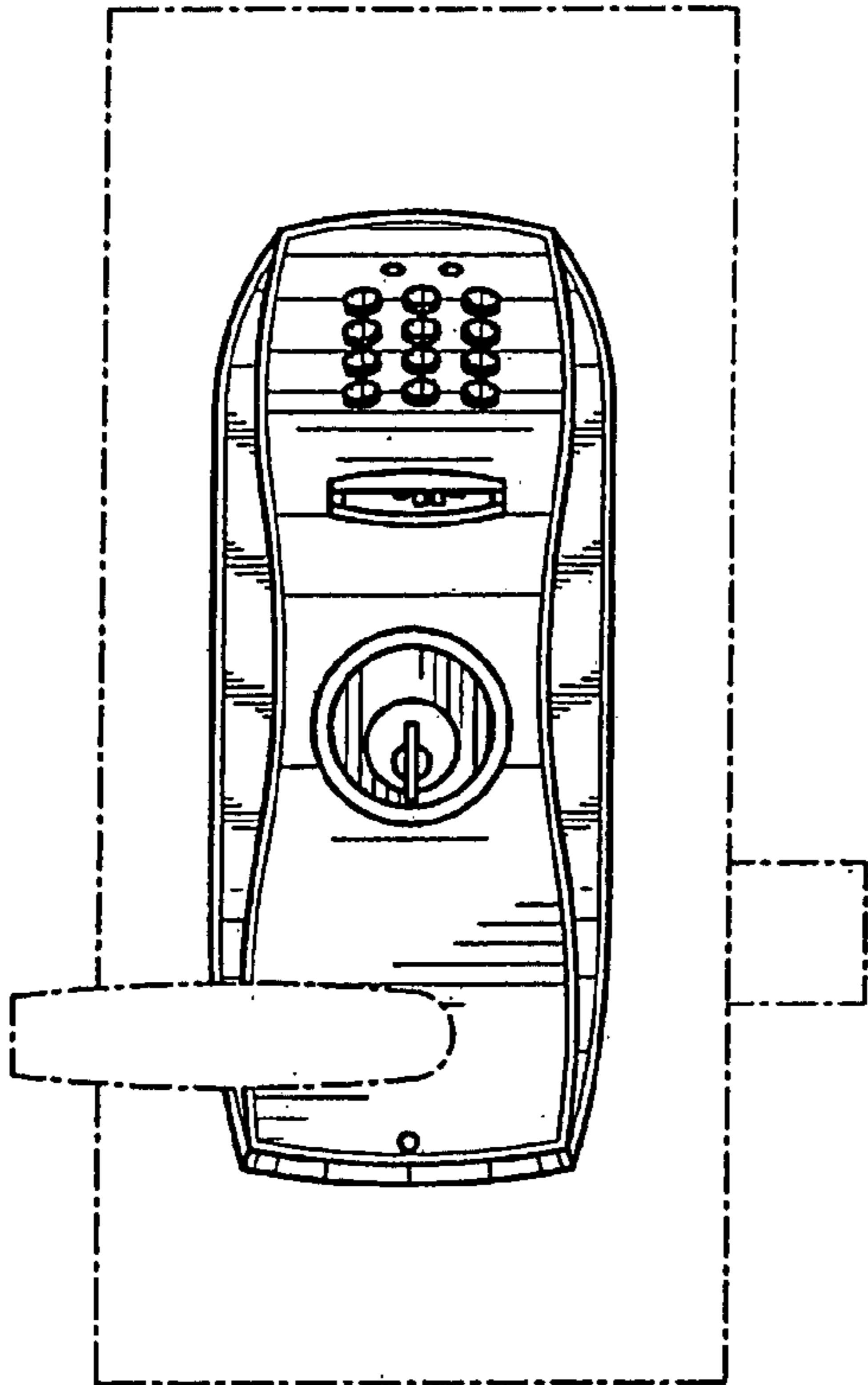


FIG.4

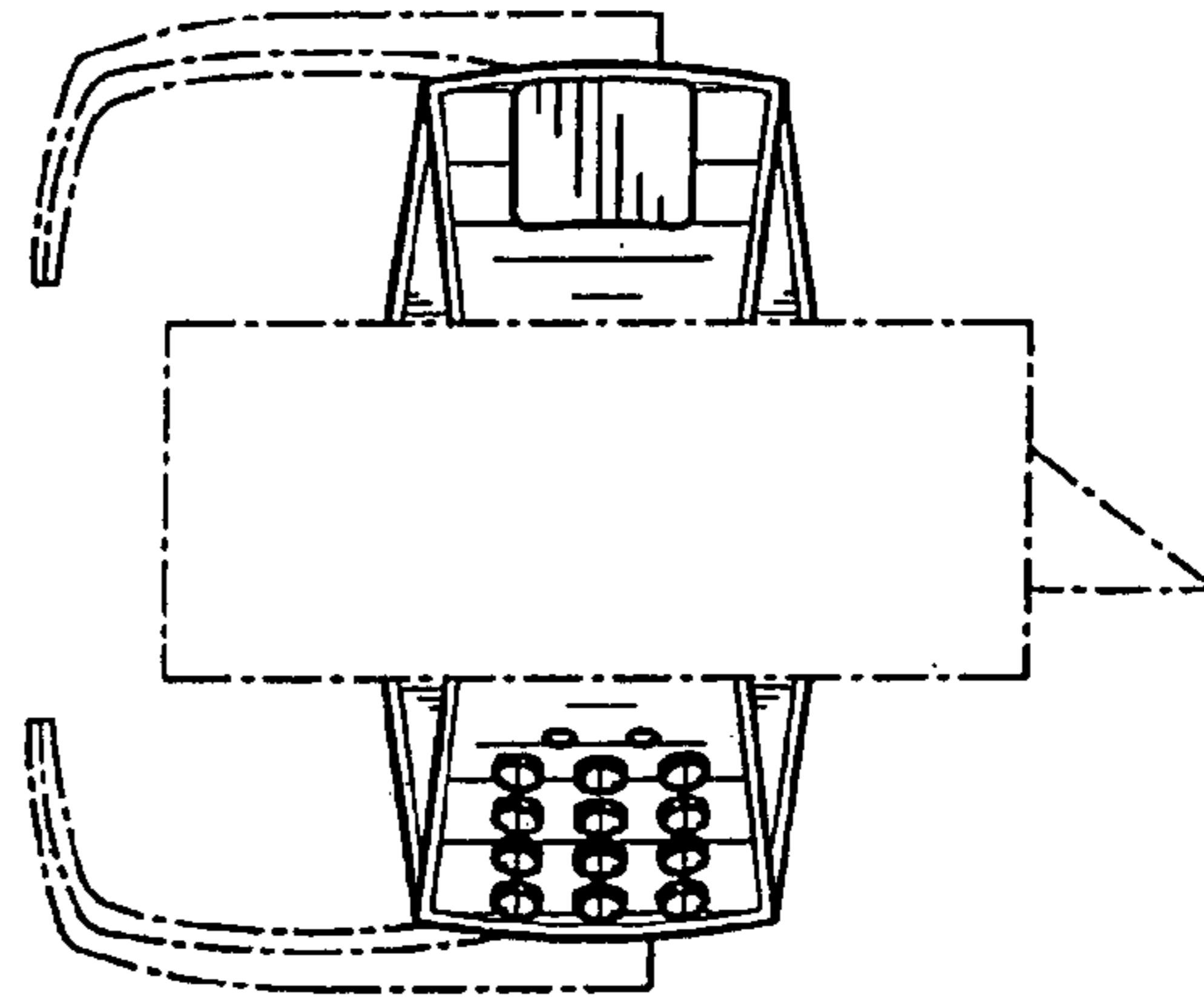


FIG.5

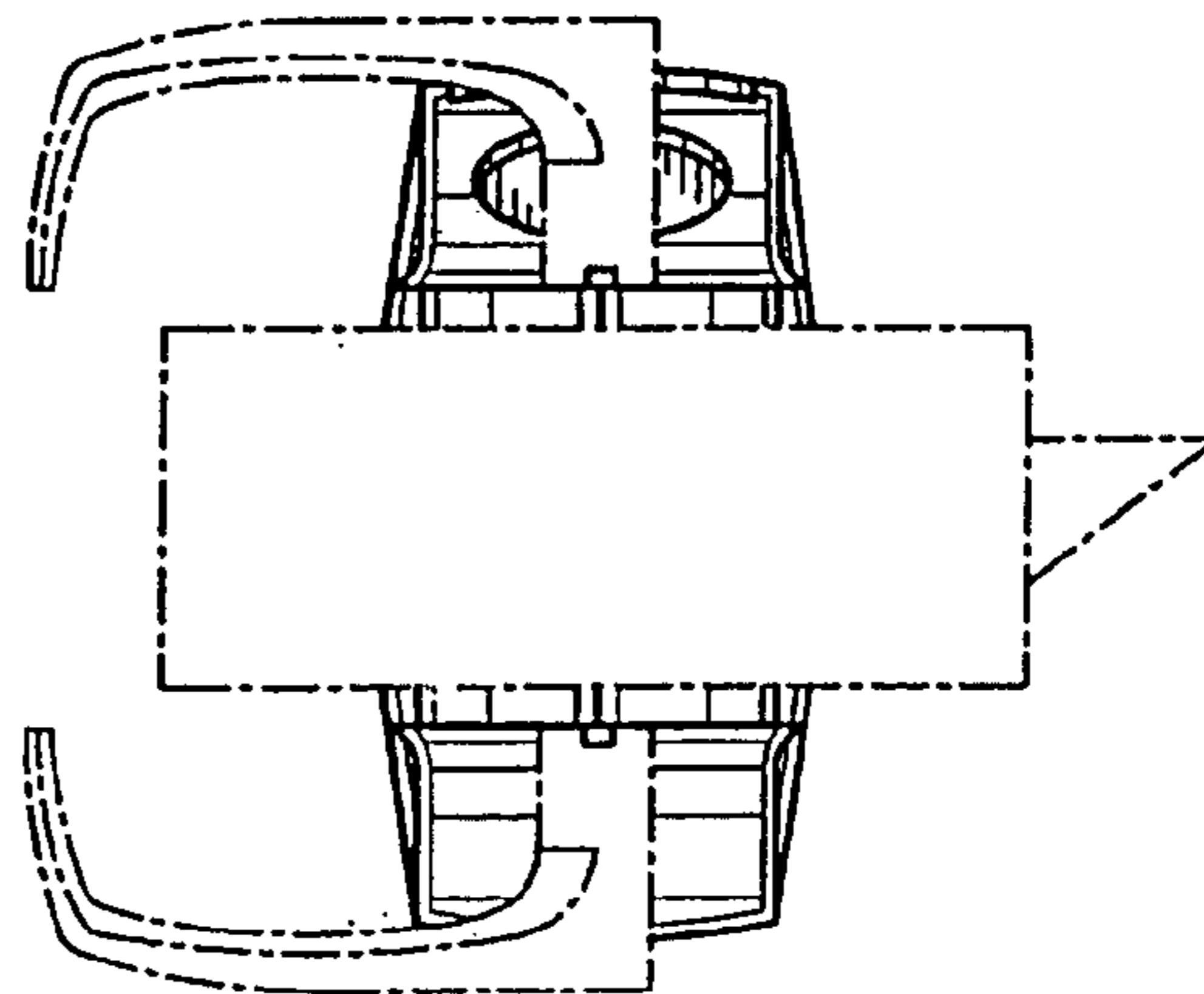


FIG.2

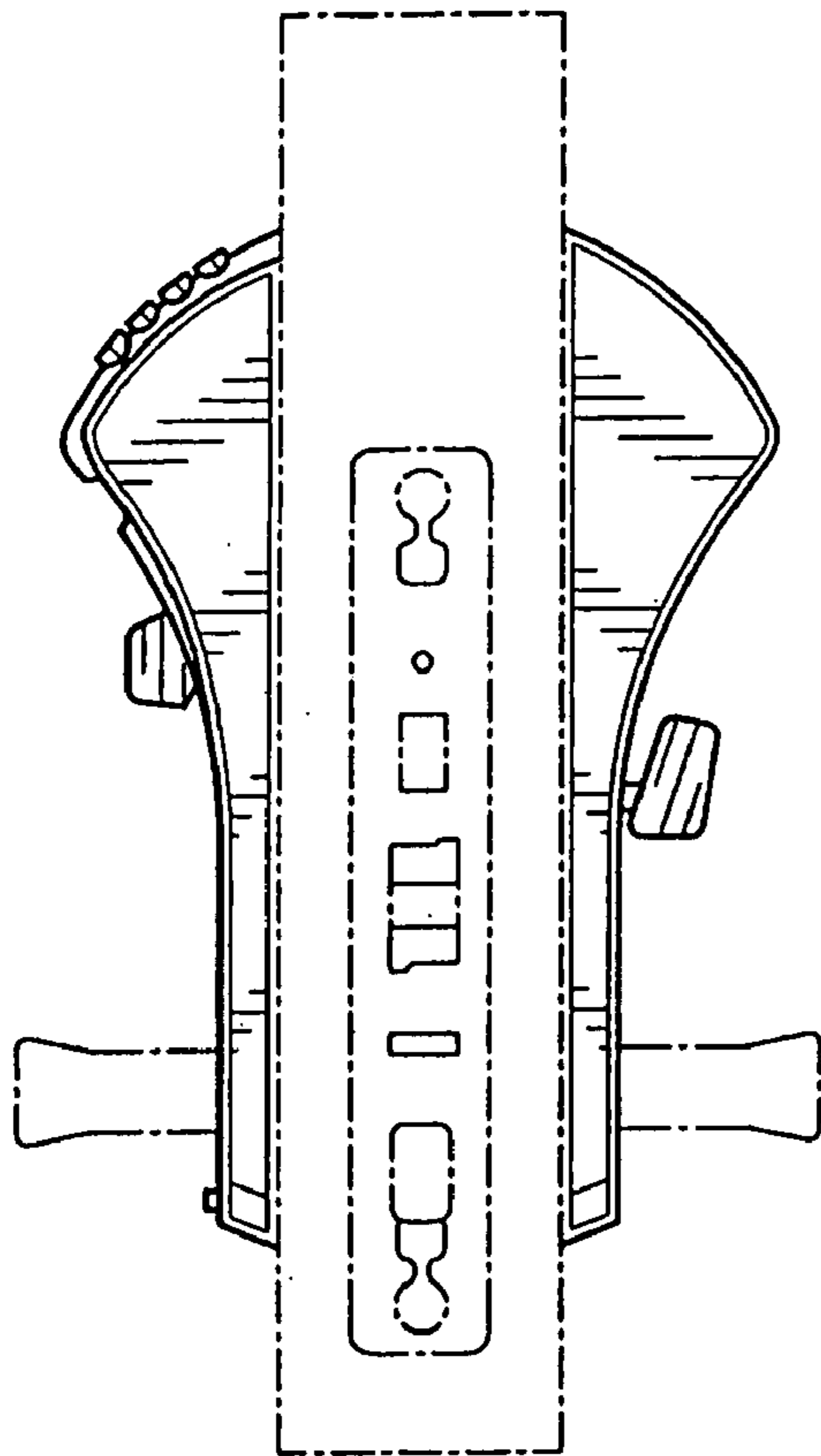


FIG.3

