



US00D545167S

(12) **United States Design Patent**
Liu

(10) **Patent No.:** **US D545,167 S**
(45) **Date of Patent:** **** Jun. 26, 2007**

(54) **TOOL**
(75) Inventor: **Hsi Pei Liu, Ta-Li (TW)**
(73) Assignee: **Chewren Industry Co., Ltd., Taichung Hsien (TW)**
(**) Term: **14 Years**
(21) Appl. No.: **29/255,647**
(22) Filed: **Mar. 11, 2006**
(51) **LOC (8) Cl.** **08-05**
(52) **U.S. Cl.** **D8/105; D8/26**
(58) **Field of Classification Search** D8/17,
D8/21-29, 81-87, 102-107, 98-99, 55, 93,
D8/94; 81/60-63.2, 177.1, 177.85, 177.8,
81/489, 125.1, 121.1, 119-120, 176.1, 186,
81/177.9, 185.1, 176.2, 165, 170, 3.35, 58,
81/3.45, 155; 206/378; 16/429, 441, 124.6;
7/100, 138, 168, 157
See application file for complete search history.

6,128,981 A * 10/2000 Bondhus et al. 81/440
D437,541 S * 2/2001 Hermansen et al. D8/105
6,751,819 B2 * 6/2004 Chuang 7/100
7,047,847 B2 * 5/2006 Chuang 81/440
7,063,435 B2 * 6/2006 Dallas et al. 362/119

* cited by examiner

Primary Examiner—Raphael Barkai
Assistant Examiner—Randall H. Gholson
(74) *Attorney, Agent, or Firm*—Banger Shia

(57) **CLAIM**

The ornamental design for a tool, as shown and described.

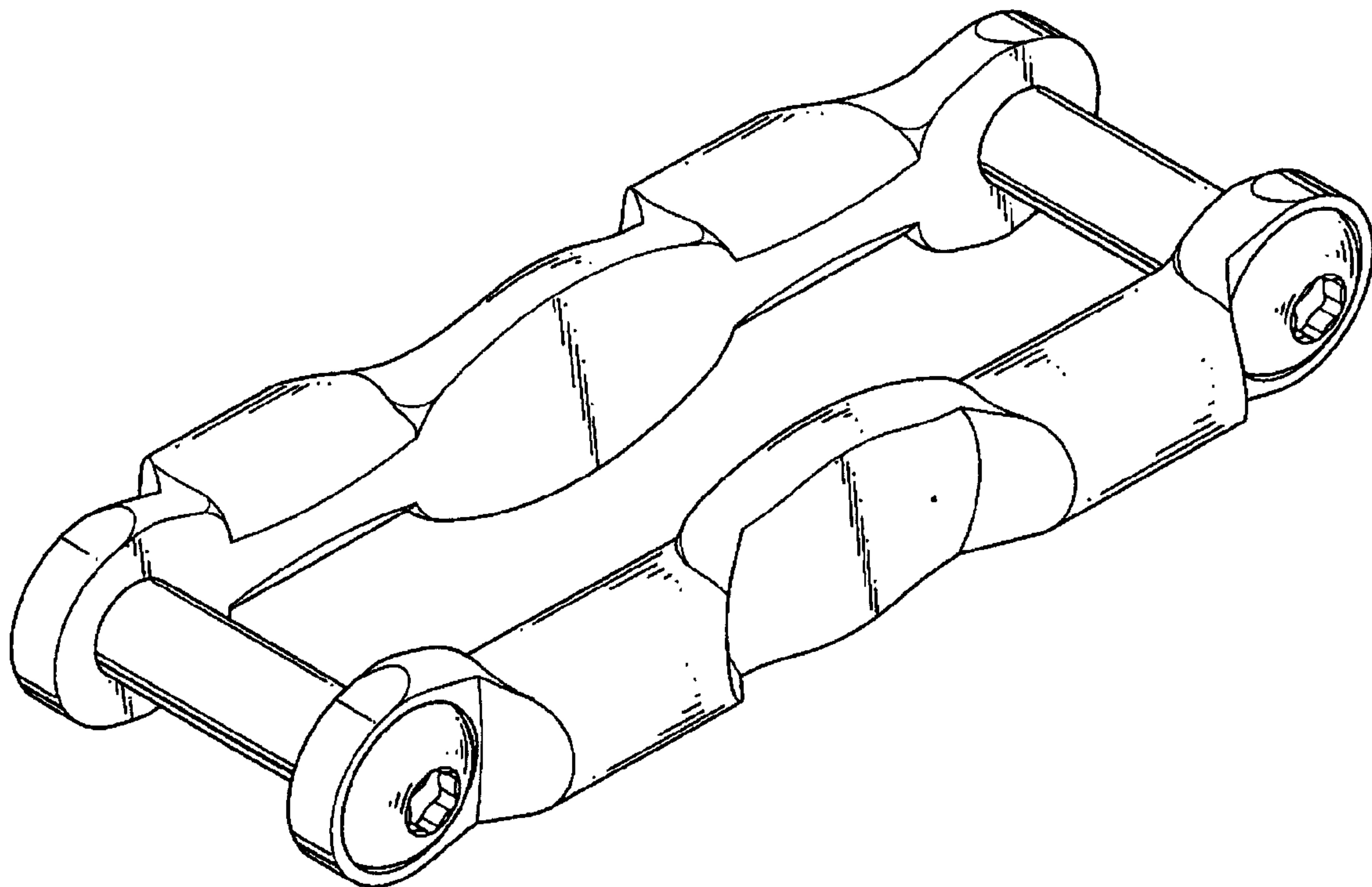
DESCRIPTION

FIG. 1 is a perspective view of a tool showing my new design;
FIG. 2 is a front elevational view thereof;
FIG. 3 is a rear elevational view thereof;
FIG. 4 is a left side elevational view thereof;
FIG. 5 is a right side elevational view thereof;
FIG. 6 is a top plan view thereof;
FIG. 7 is a bottom plan view thereof; and,
FIG. 8 is a perspective view thereof, the broken lines shown are for illustrative purposes only and from no part of the claimed design.

(56) **References Cited**
U.S. PATENT DOCUMENTS

5,151,999 A * 9/1992 Marzucco et al. 710/22
D342,433 S * 12/1993 Sorenson D8/107
D383,048 S * 9/1997 Sorensen et al. D8/107
D412,823 S * 8/1999 Liao D8/107
5,970,828 A * 10/1999 Bondhus et al. 81/440
6,092,444 A * 7/2000 Hsiao 81/440

1 Claim, 5 Drawing Sheets



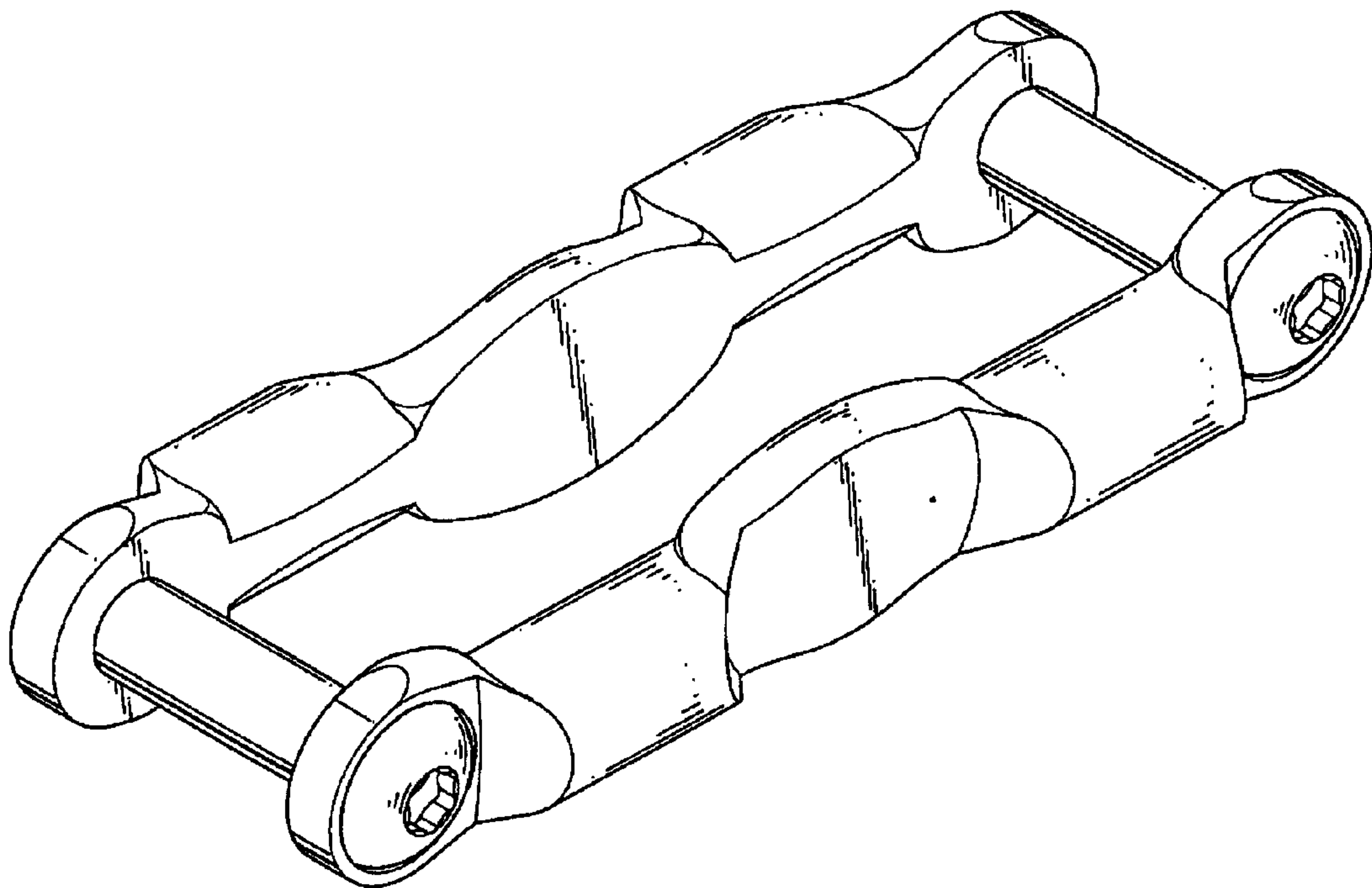


FIG. 1

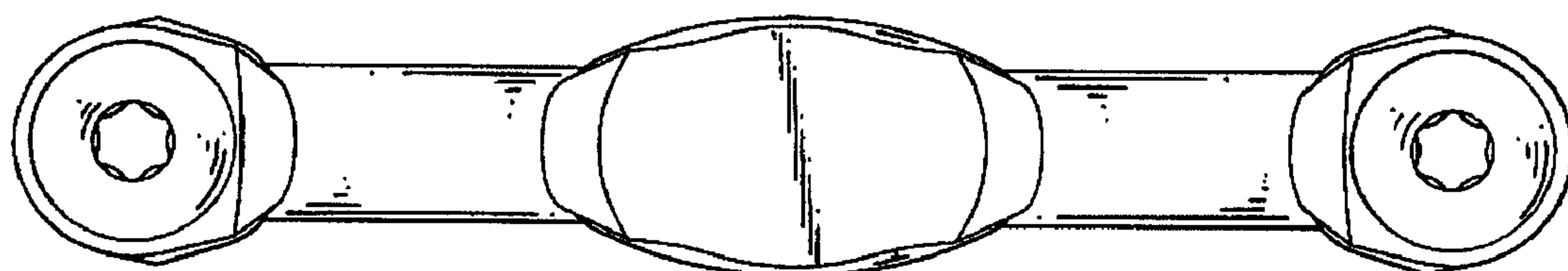


FIG. 2

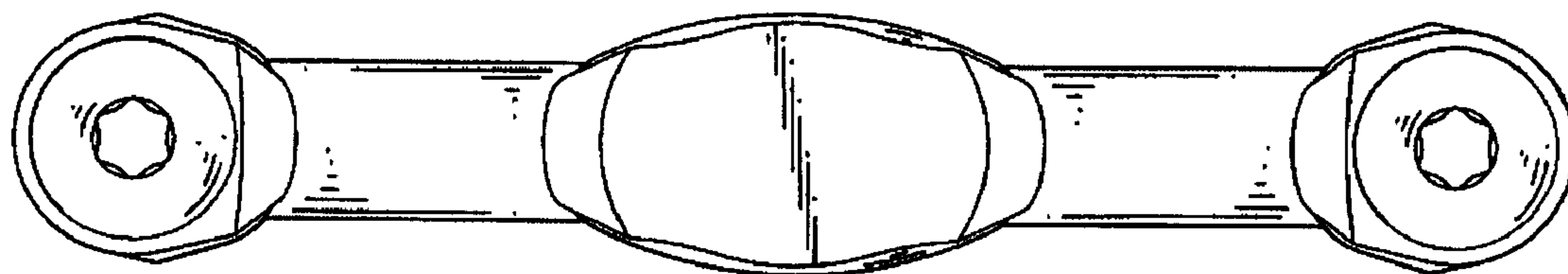


FIG. 3

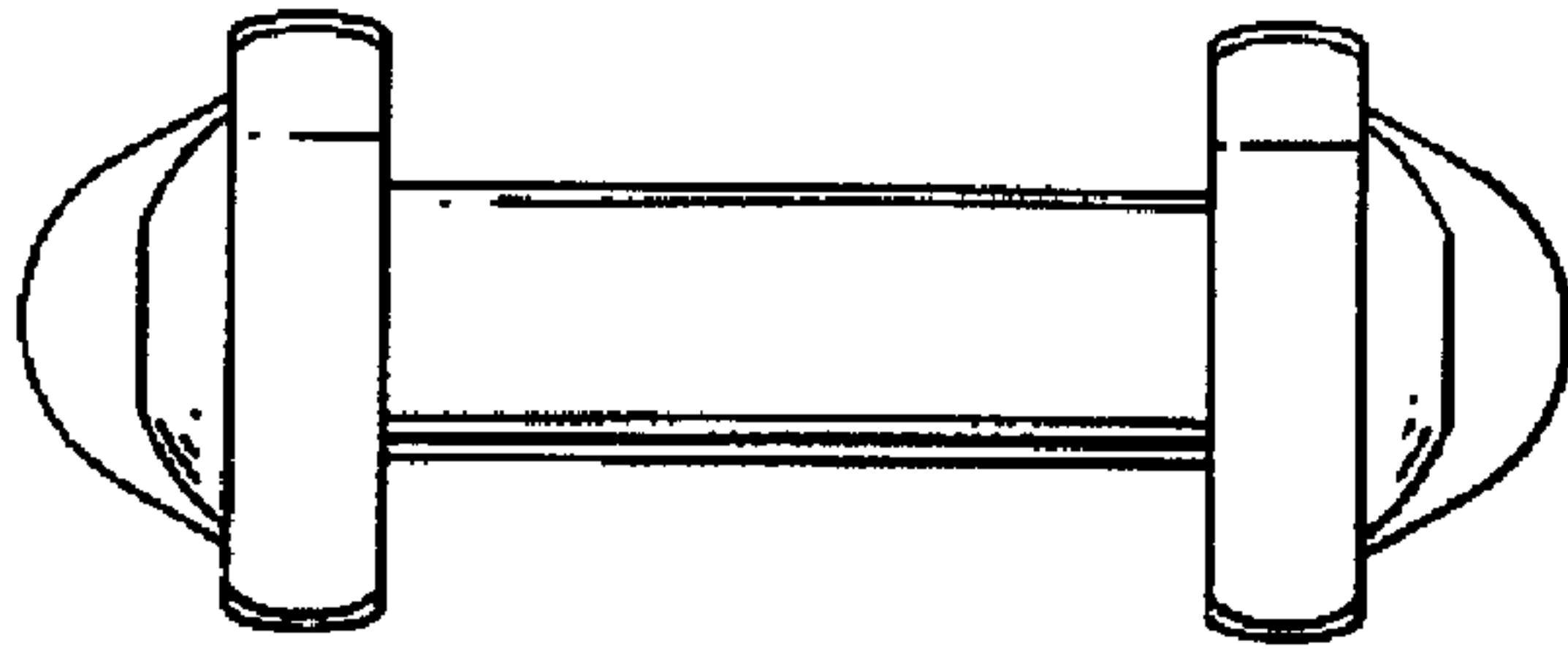


FIG. 4

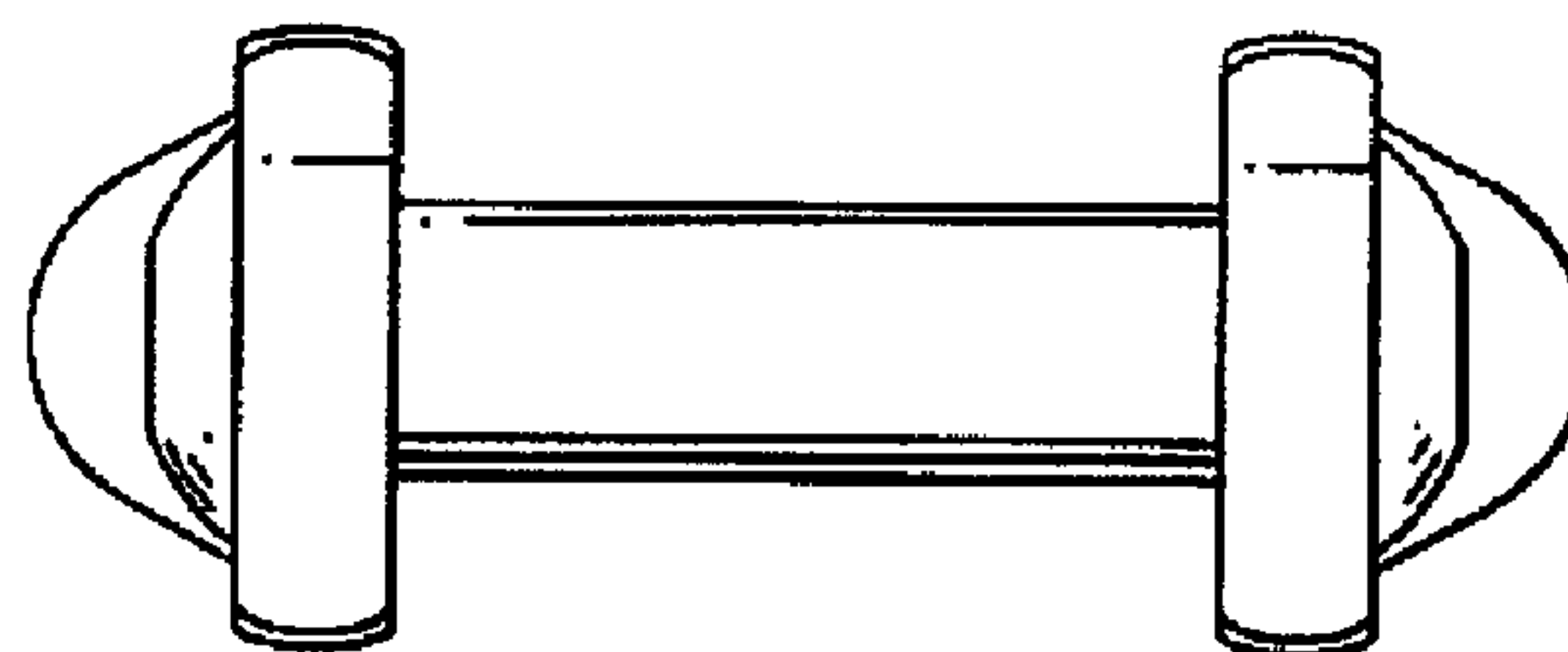


FIG. 5

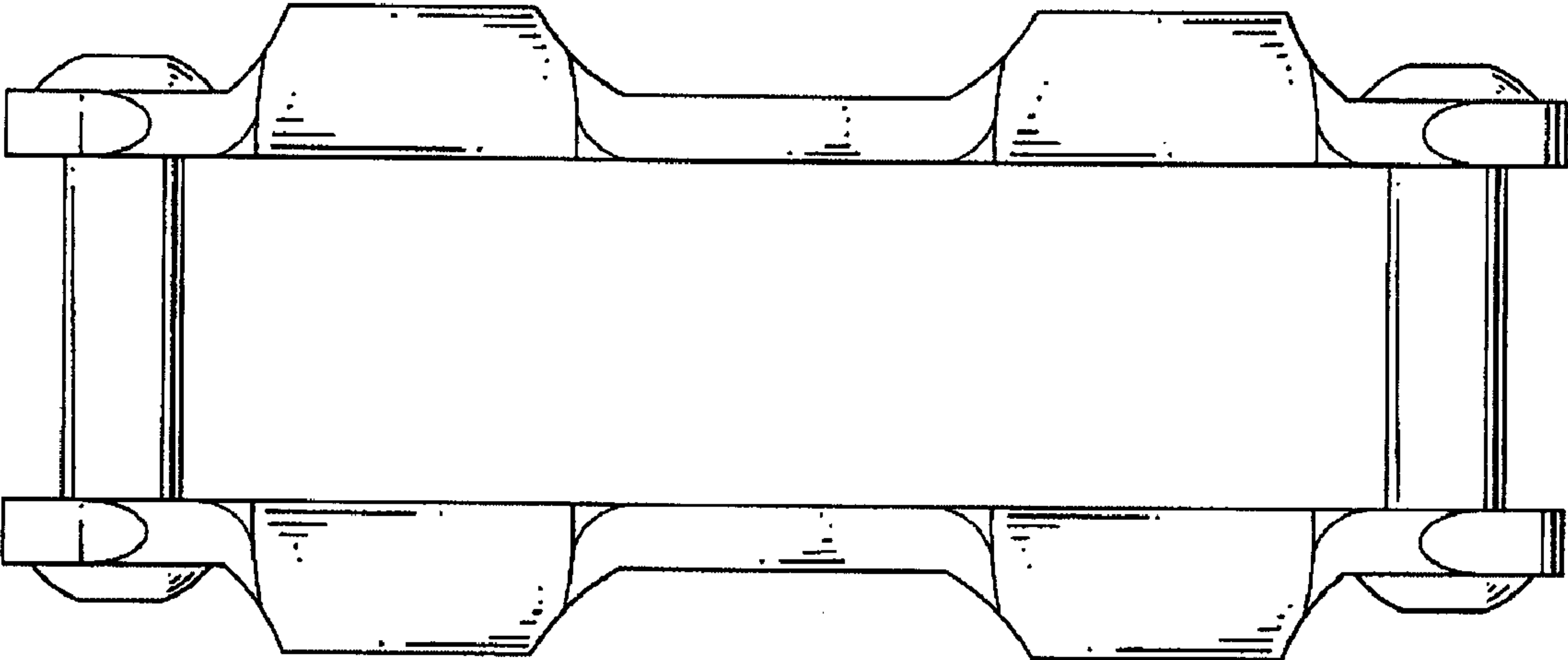


FIG. 6

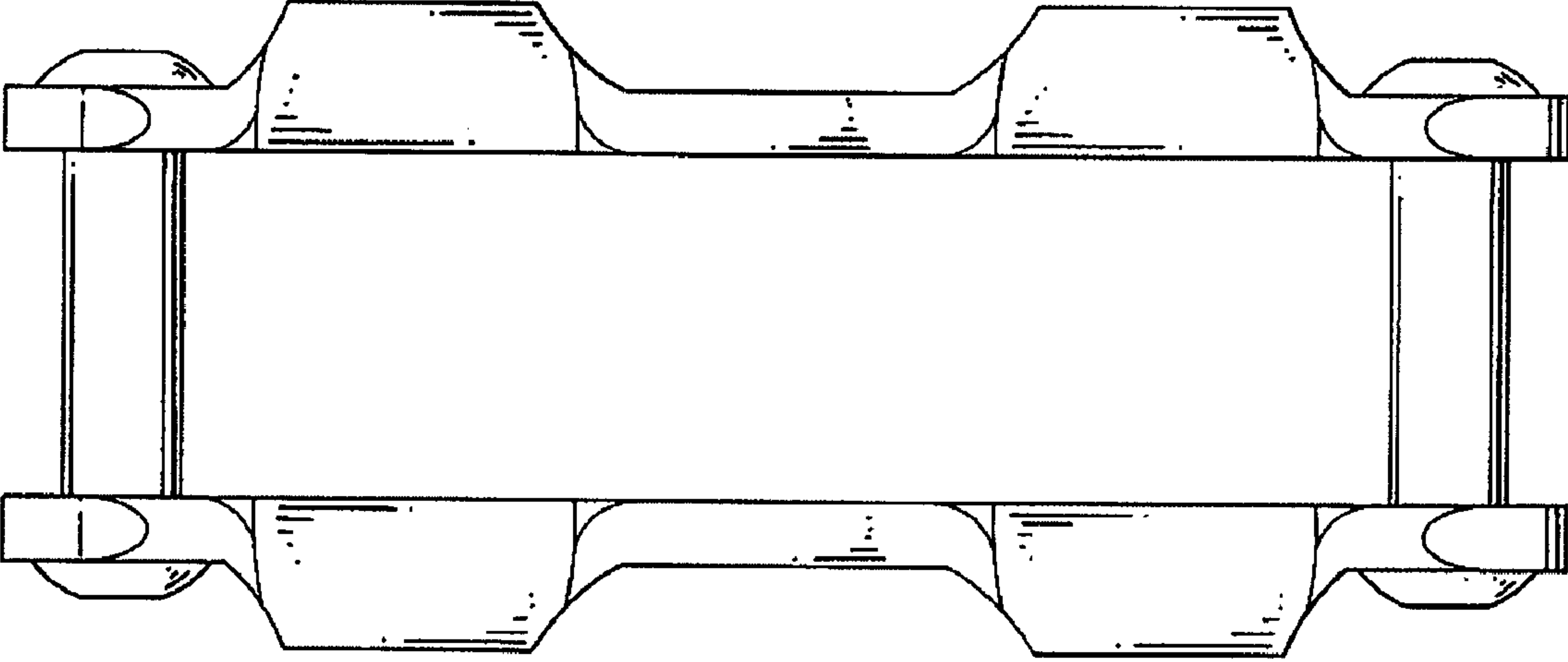


FIG. 7

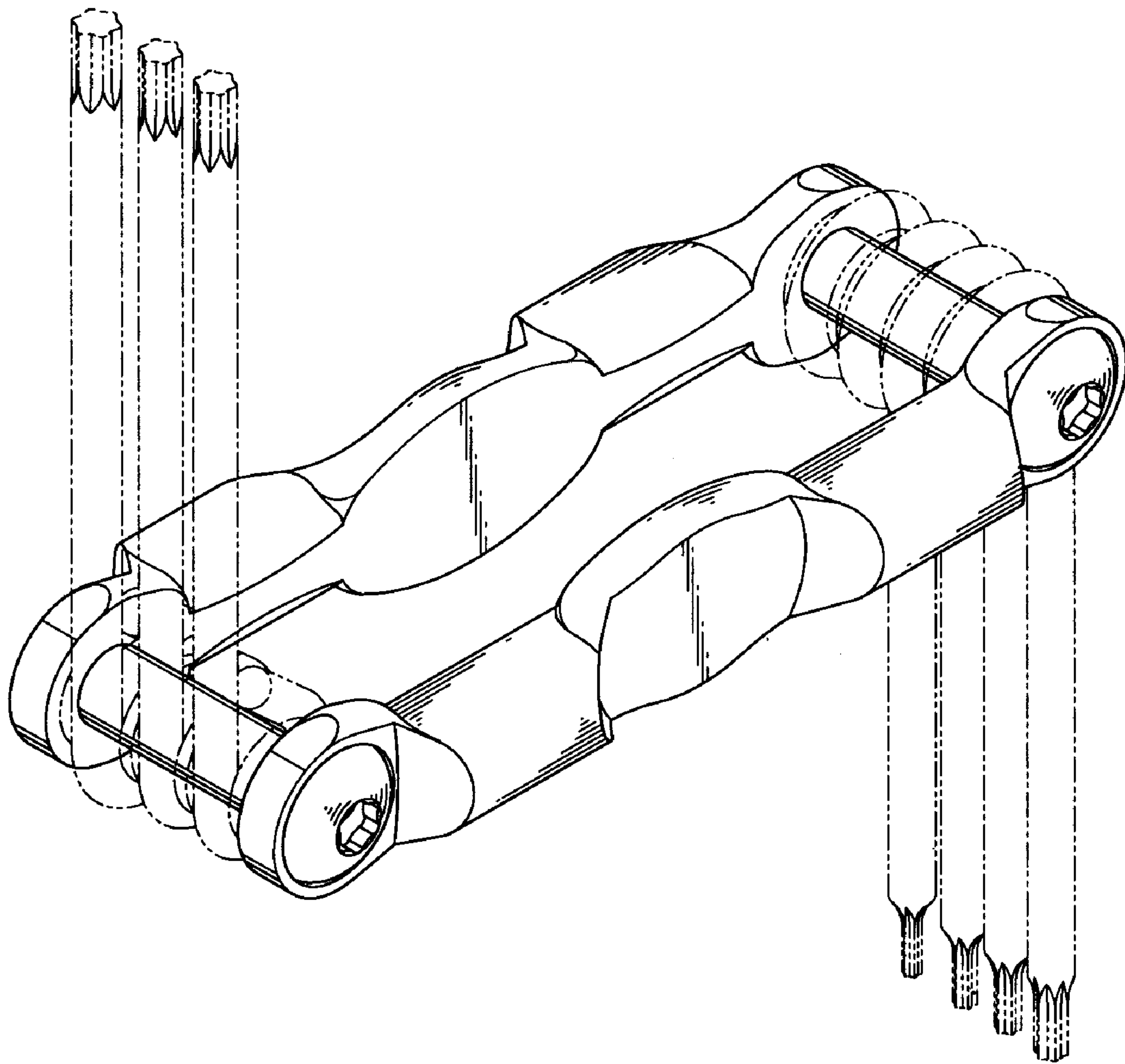


FIG. 8