

US00D545166S

(12) **United States Design Patent**
Laaper

(10) **Patent No.:** **US D545,166 S**

(45) **Date of Patent:** **** Jun. 26, 2007**

(54) **MULTI PURPOSE TOOL SET WITH DATA MEMORY DEVICE RESEMBLING MILITARY IDENTIFICATION TAGS**

(74) *Attorney, Agent, or Firm*—Shalom Wertsberger; Saltamar Innovations

(76) **Inventor:** **Niels Laaper**, 3/49 Kurraba Rd, Neutral Bay, NSW (AU) 2089

(57) **CLAIM**

The ornamental design for a multi purpose tool set with data memory device resembling military identification tags, as shown and described.

(**) **Term:** **14 Years**

(21) **Appl. No.:** **29/248,854**

(22) **Filed:** **Sep. 8, 2006**

DESCRIPTION

(51) **LOC (8) Cl.** **08-05**

(52) **U.S. Cl.** **D8/105**

(58) **Field of Classification Search** D8/19, D8/42, 105, 33, 40, 98, 34, 99, 14, 16, 18, D8/43; D19/65; D16/135; D3/208; D14/356, D14/218; D13/168; 362/119; 30/162, 151; 206/38, 234

See application file for complete search history.

FIG. 1 is a perspective view of the multi purpose tool set with data memory device resembling military identification tags connected with an optional chain that is shown in broken lines.

FIG. 2 is a front view of the memory device within a bay resembling a military identification tag, and a top view of the multi purpose tool.

FIG. 3 is a side view of the memory device and the multi-purpose tool.

FIG. 4 is a top view of the memory device and the multi-purpose tool.

FIG. 5 is an exploded perspective view of the data memory device and the matching bay shown separately for ease of illustration; and,

FIG. 6 is an exploded perspective view of multi purpose tool, showing the tools in a position of use and shown separately for ease of illustration.

The broken lines shown in the drawings form no part of the claimed design.

The figures describe the combination of a multi purpose tool and a data memory device residing in a matching bay, where the bay and the multi-purpose tool are made to resemble common military identification tags.

(56) **References Cited**

U.S. PATENT DOCUMENTS

D297,518 S *	9/1988	Yuen	D10/106
D366,262 S *	1/1996	Inaba	D14/218
D394,261 S *	5/1998	Chan	D14/167
6,009,584 A *	1/2000	Padden	7/170
D434,624 S *	12/2000	Padden	D8/42
6,571,940 B2 *	6/2003	Newman	206/38
D487,064 S *	2/2004	Stekelenburg	D13/168
D495,483 S *	9/2004	Vickers et al.	D3/208
D503,687 S *	4/2005	Hoffman	D13/168
D520,996 S *	5/2006	Deng	D14/356
D524,255 S *	7/2006	Geringer	D13/168
D532,776 S *	11/2006	Griffin	D14/218
D532,783 S *	11/2006	Yu	D14/356

* cited by examiner

Primary Examiner—Cathron C. Brooks

Assistant Examiner—Austin Murphy

1 Claim, 6 Drawing Sheets





FIG. 1

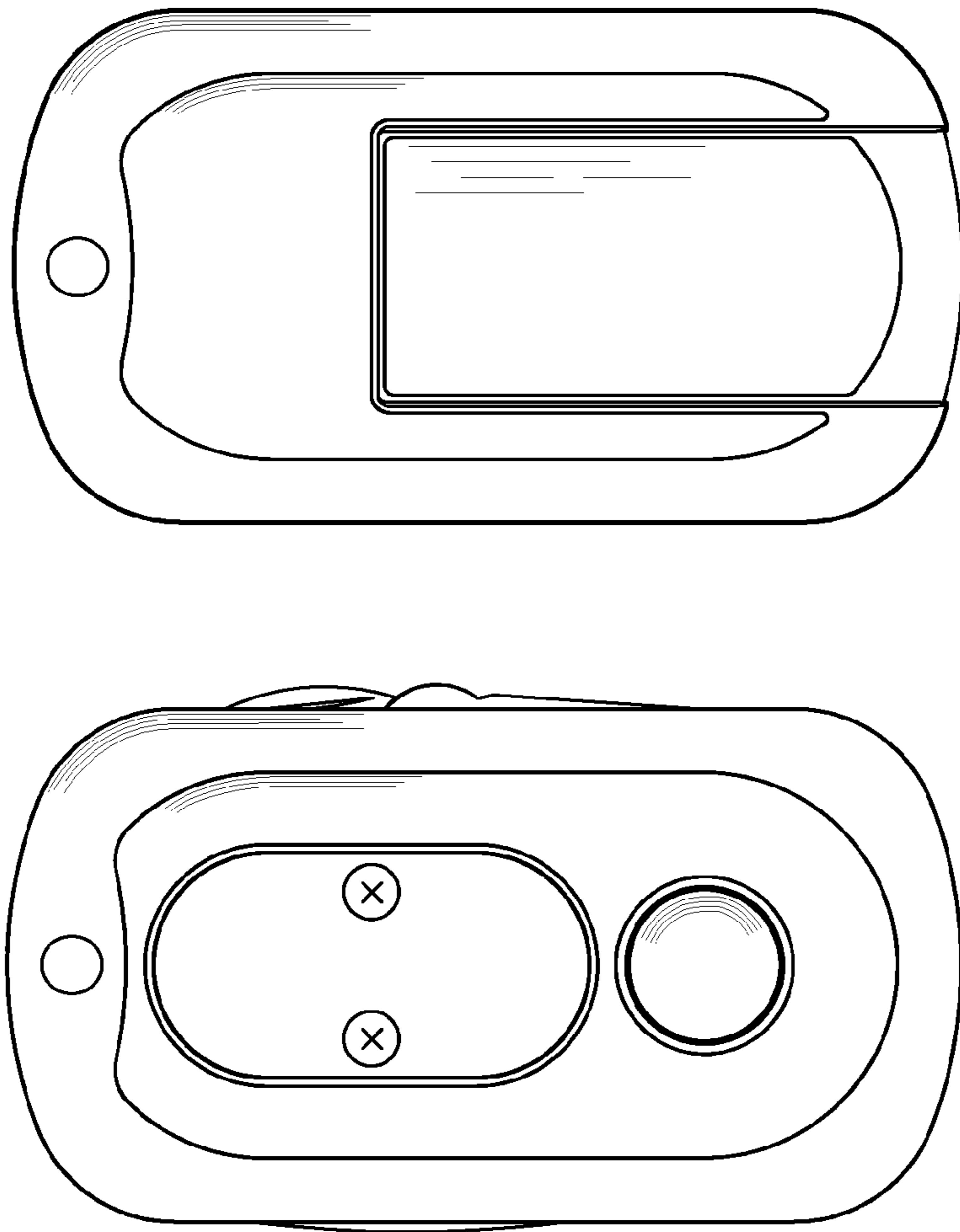
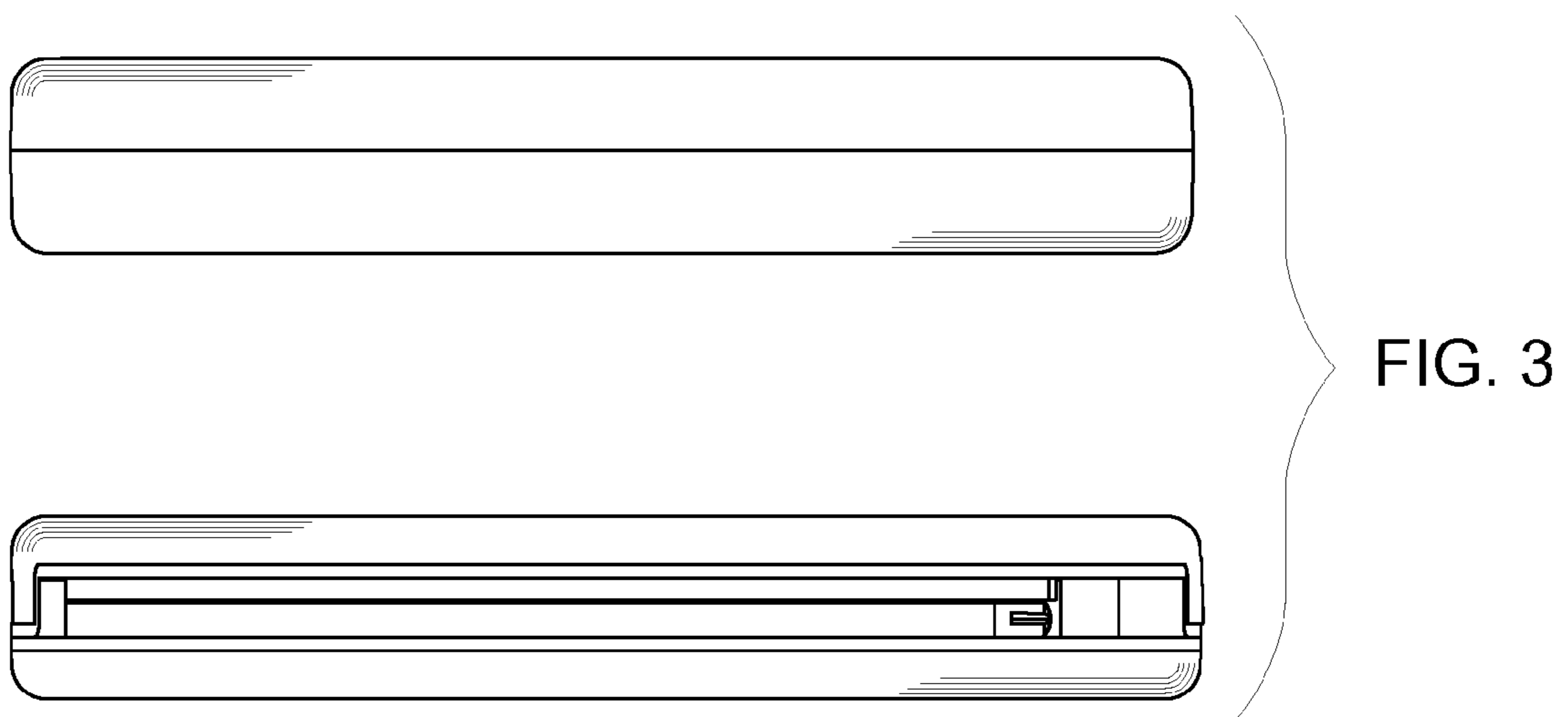


FIG. 2



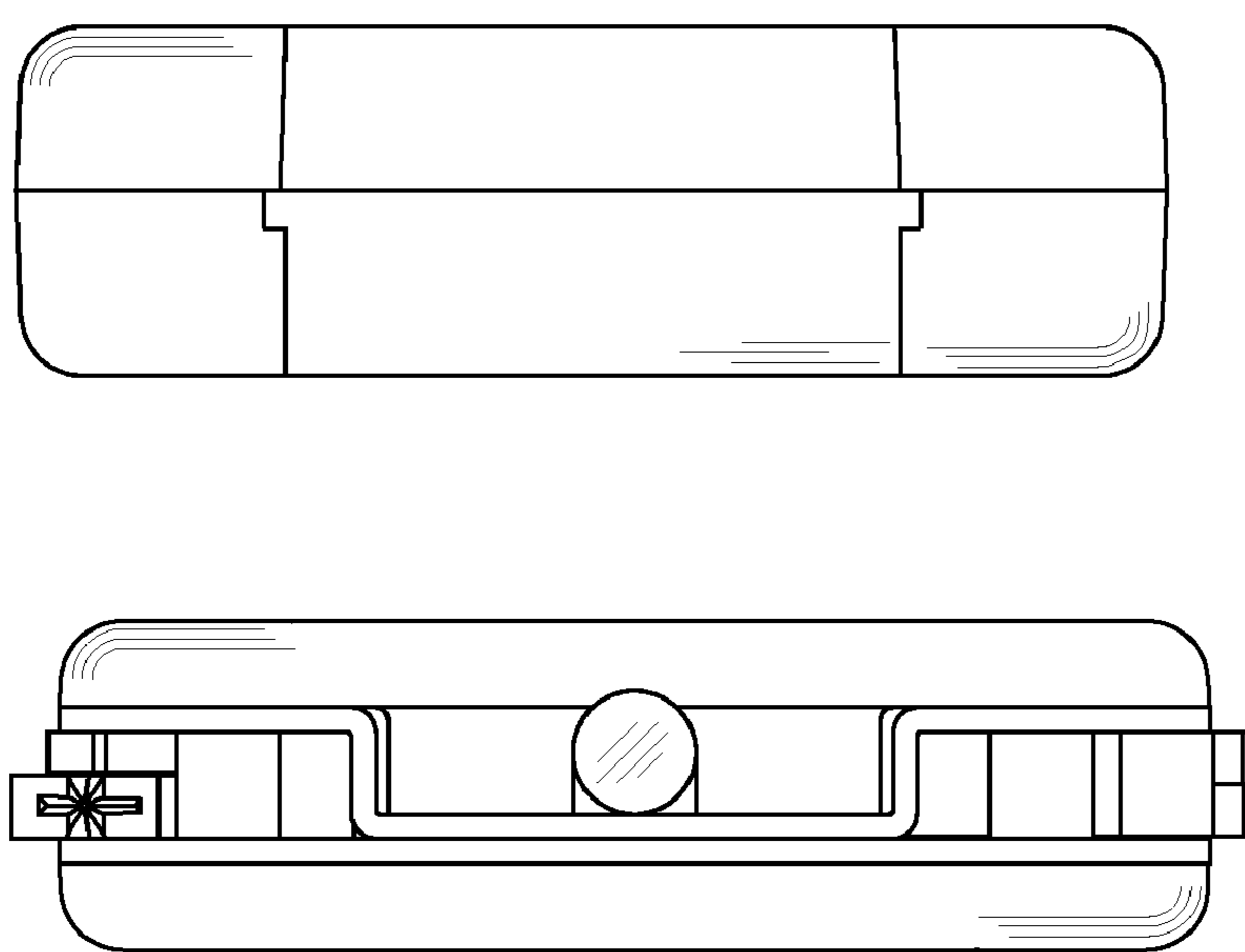


FIG. 4

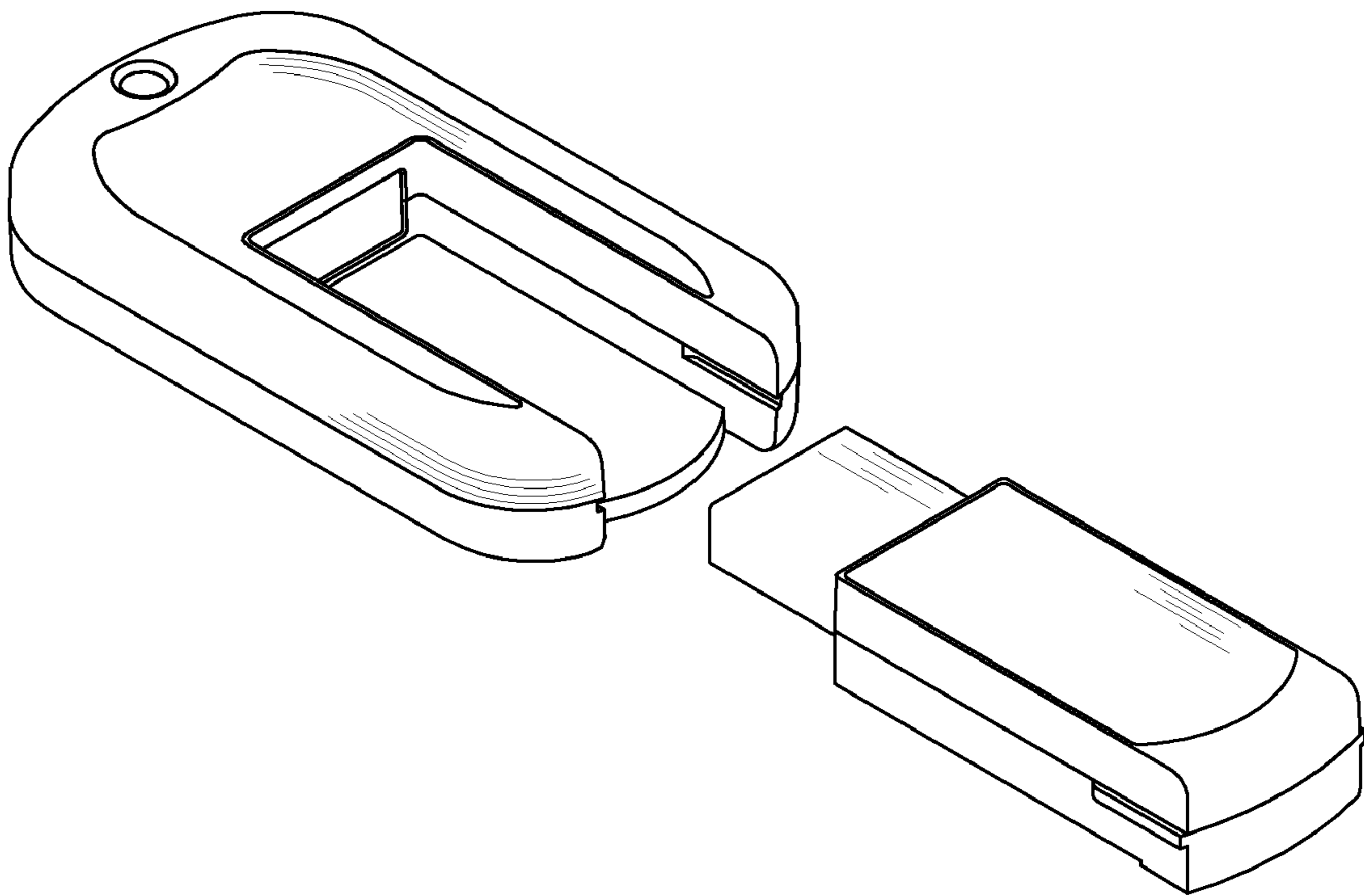


FIG. 5

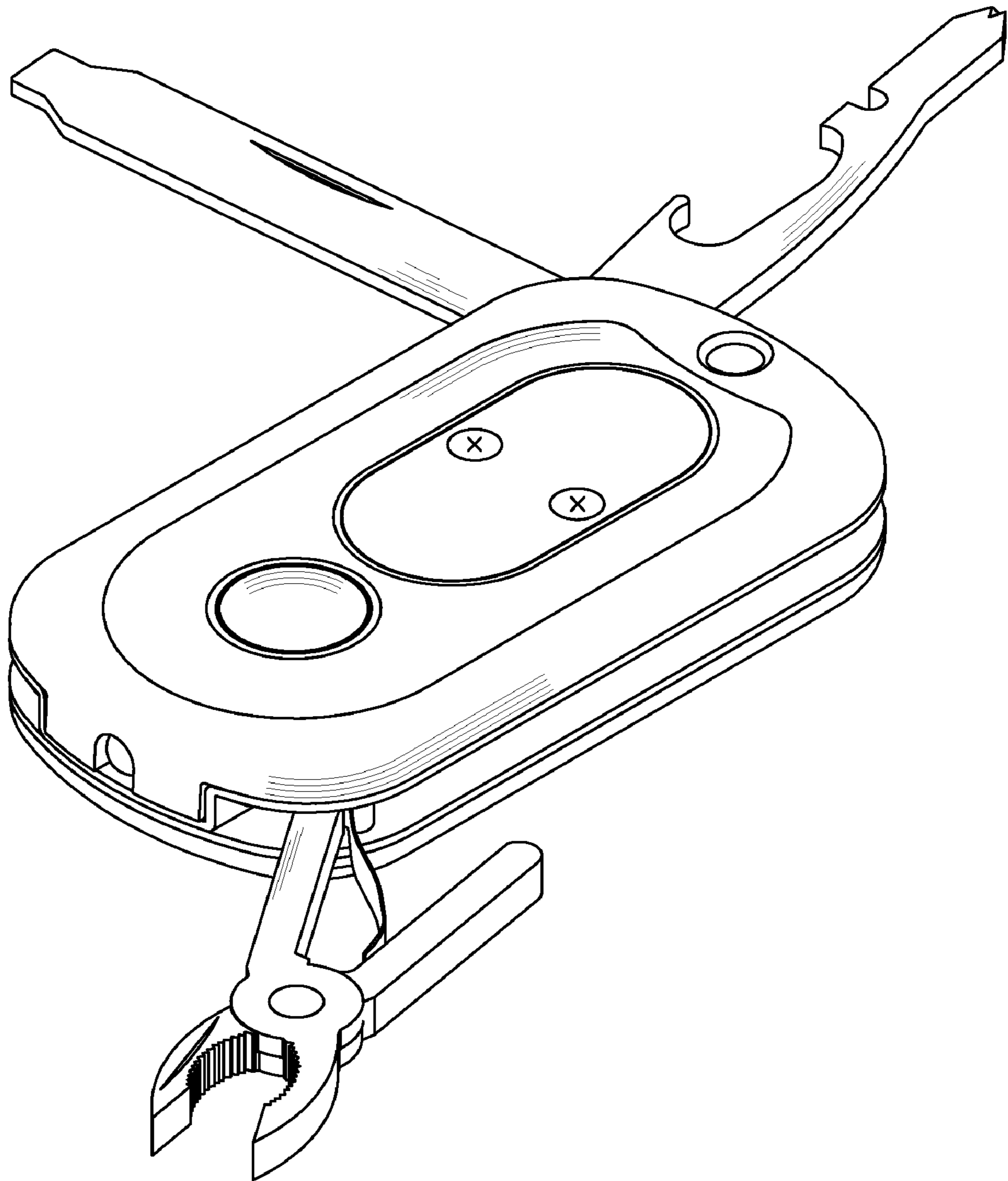


FIG. 6