

US00D545164S

(12) **United States Design Patent**
Holby

(10) **Patent No.:** **US D545,164 S**
(45) **Date of Patent:** **** Jun. 26, 2007**

(54) **WALLPAPER CUTTER**

D470,030 S * 2/2003 Swier D8/98

(75) Inventor: **Israel Holby**, Fayetteville, AR (US)

OTHER PUBLICATIONS

(73) Assignee: **Marshalltown Company**,
Marshalltown, IA (US)

Advance Tool—Vinyl Trimmer—part #V30/30 and Seam
buster—part#5101. Website link: <http://www.advance-equipment.com/advancewall.htm>.

(**) Term: **14 Years**

Storch trimmer sold by Warner Tools—Double seam cutter—part
#64. Website link: <http://www.warmertool.com>.

(21) Appl. No.: **29/244,610**

* cited by examiner

(22) Filed: **Dec. 12, 2005**

Primary Examiner—Philip S. Hyder

(51) **LOC (8) Cl.** **08-03**

(74) *Attorney, Agent, or Firm*—Shook, Hardy & Bacon
L.L.P.

(52) **U.S. Cl.** **D8/98**

(58) **Field of Classification Search** D6/14,
D6/98; 30/280, 294, 162, 320, 314, 315
See application file for complete search history.

(57) **CLAIM**

The ornamental design for a wallpaper cutter, as shown and
described.

(56) **References Cited**

DESCRIPTION

U.S. PATENT DOCUMENTS

FIG. 1 is a perspective view, according to the present
invention;

4,756,085	A *	7/1988	Lebessis	30/277.4
D298,102	S *	10/1988	Gugler	D8/98
D298,210	S *	10/1988	Hutson et al.	D8/98
5,127,162	A *	7/1992	Mansfield	30/294
D337,930	S *	8/1993	Jones, Jr.	D8/98
D362,168	S *	9/1995	Mancini	D8/98
5,524,348	A *	6/1996	Tipp	30/294
5,737,842	A *	4/1998	Freedman	30/280
5,765,288	A *	6/1998	Hagler, Jr.	
D420,560	S *	2/2000	Hepworth	D8/99

FIG. 2 is a left-side elevational view thereof;

FIG. 3 is a top-side elevational view thereof;

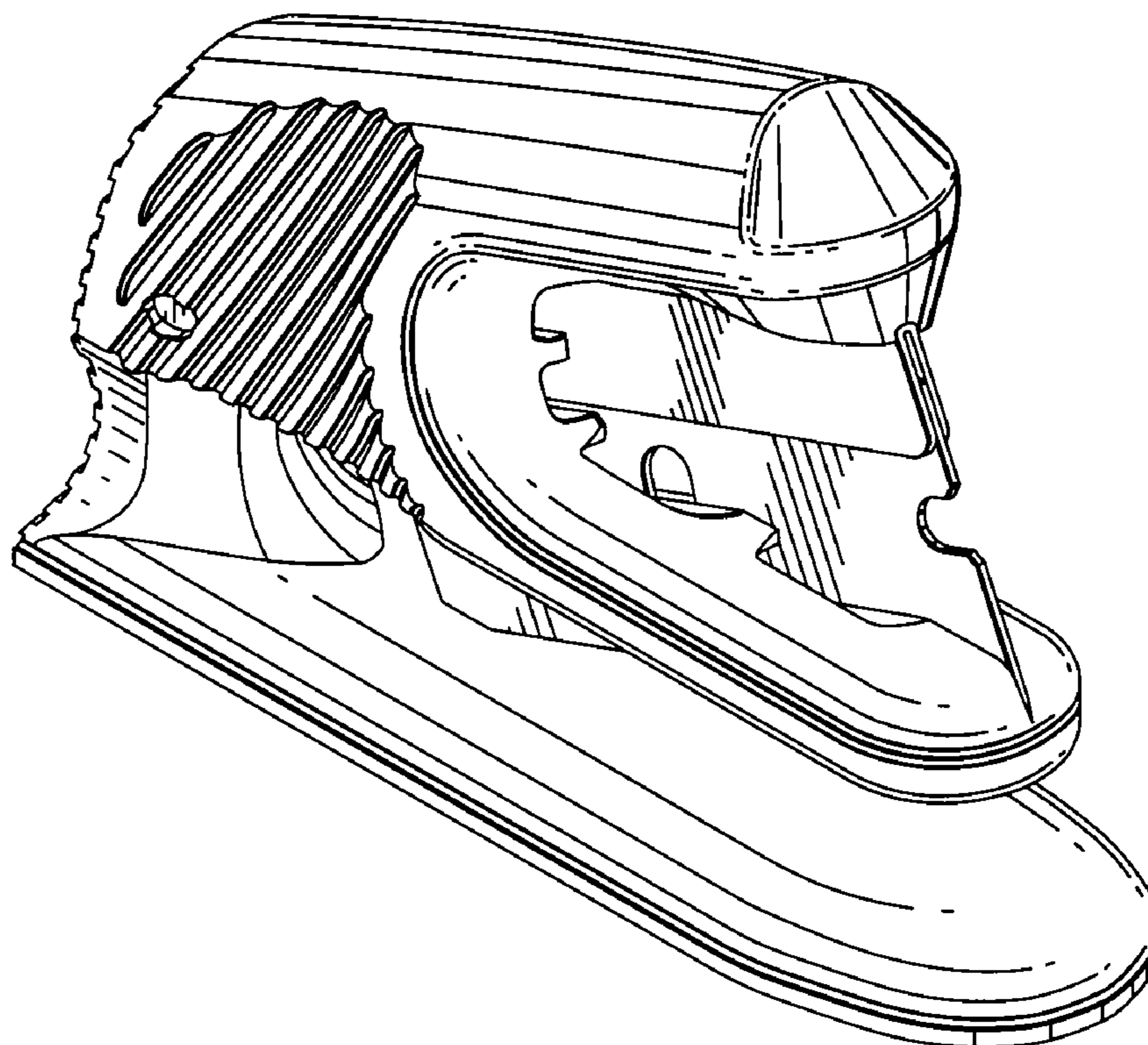
FIG. 4; is a back elevational view thereof;

FIG. 5 is a front elevational view thereof;

FIG. 6 is a right-side elevational view thereof; and,

FIG. 7 is a bottom elevational view.

1 Claim, 2 Drawing Sheets



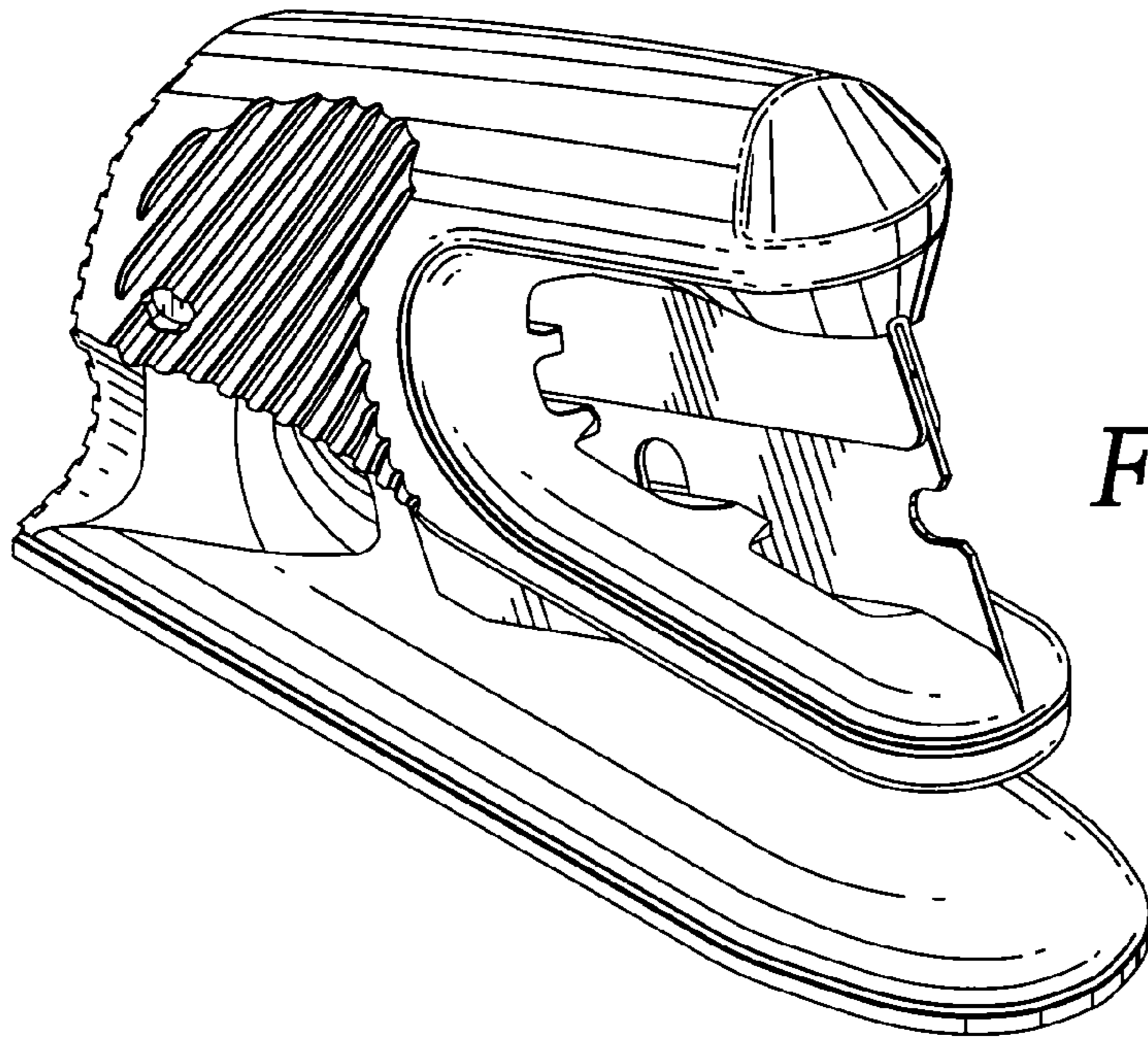


FIG. 1.

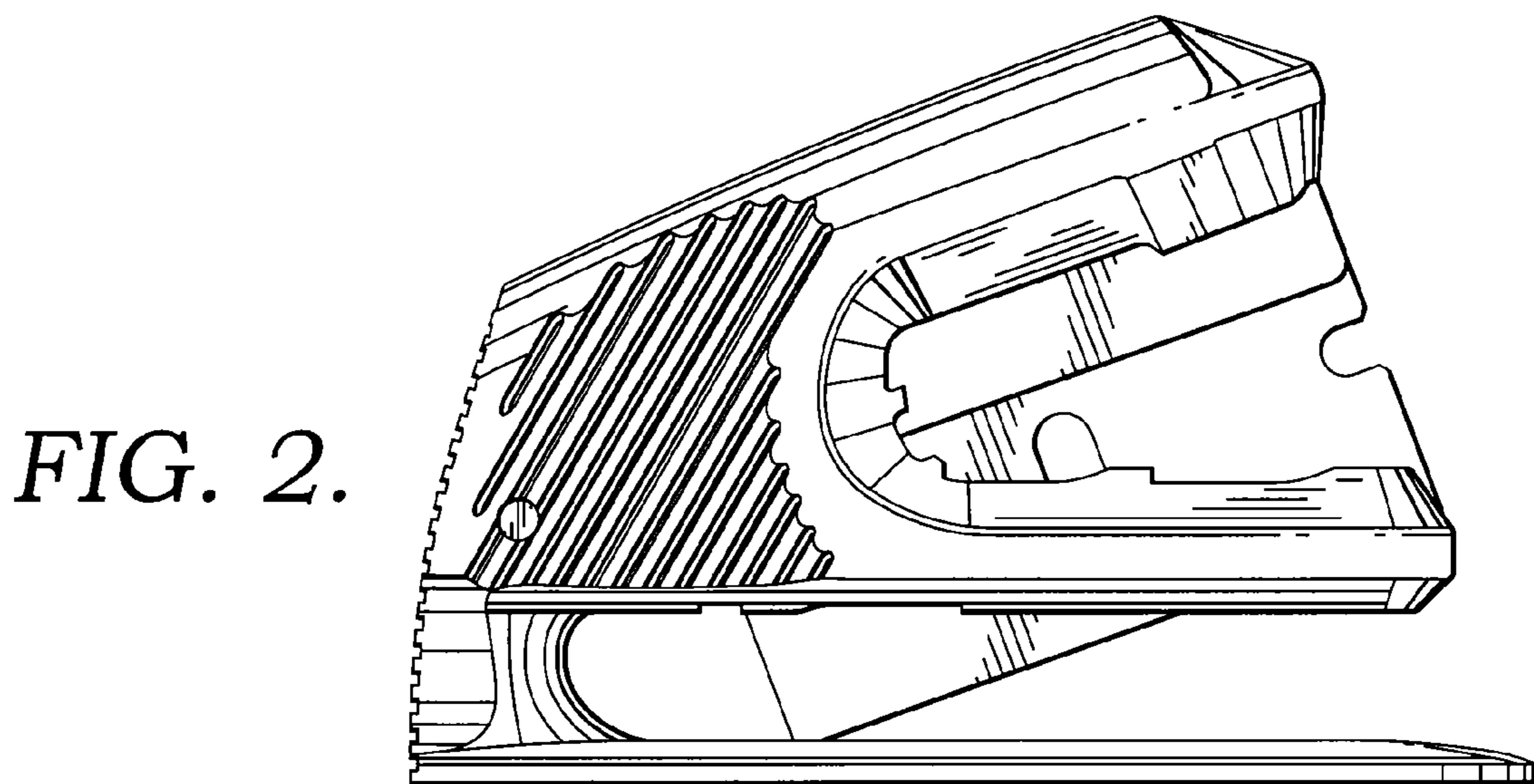


FIG. 2.

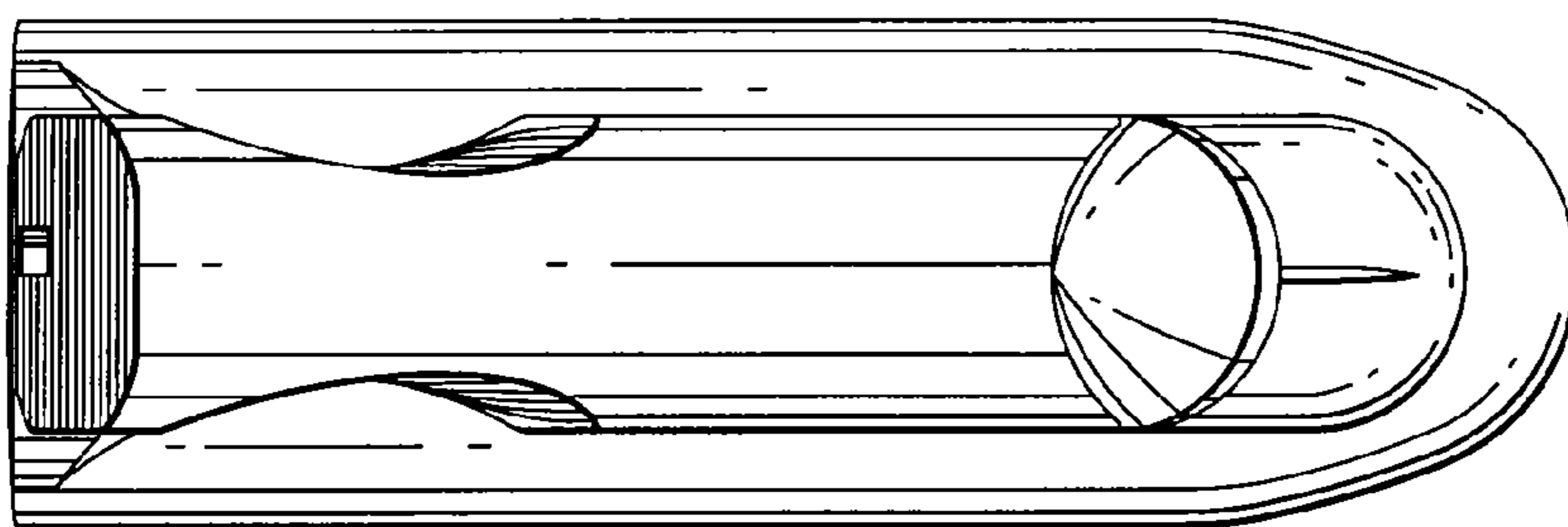


FIG. 3.

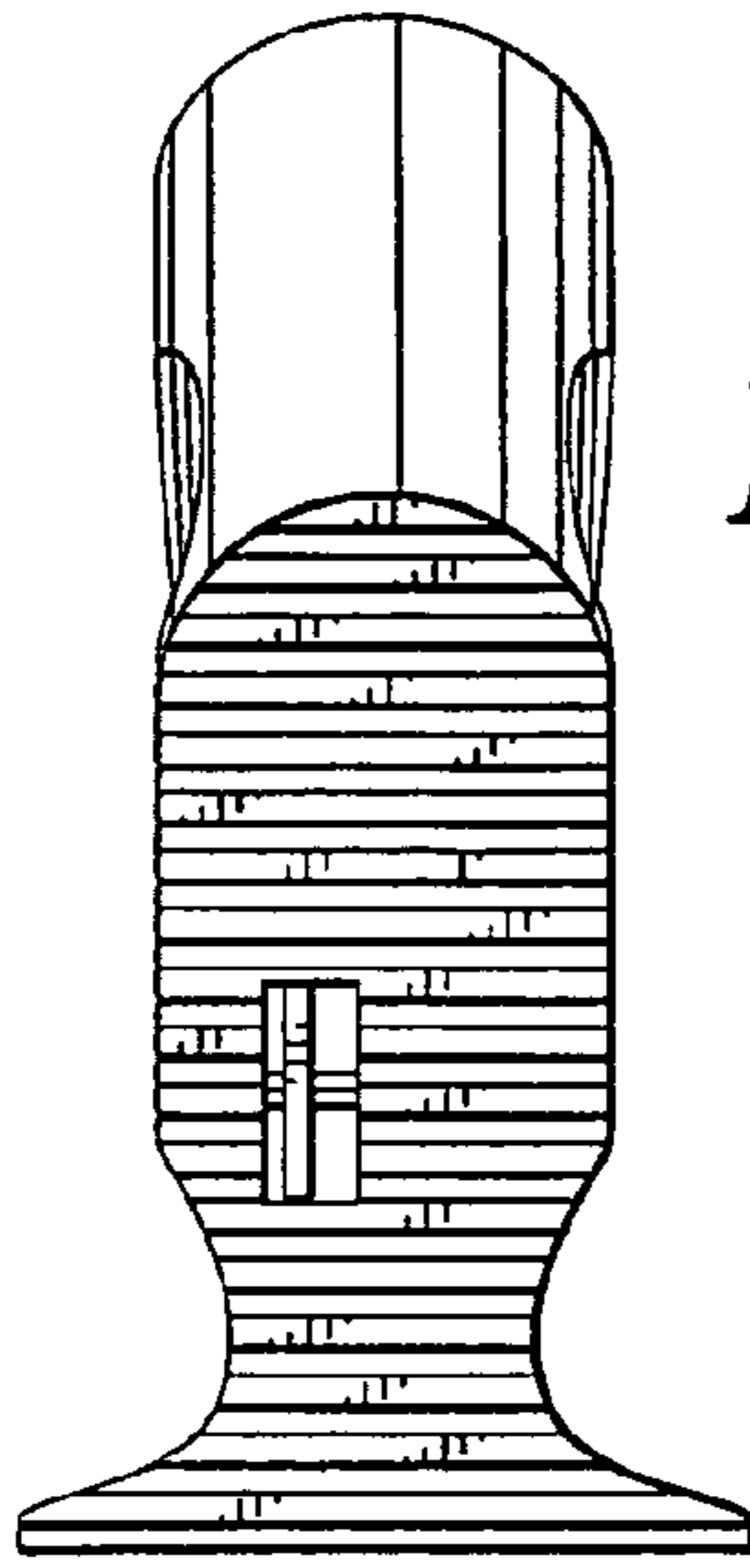


FIG. 4.

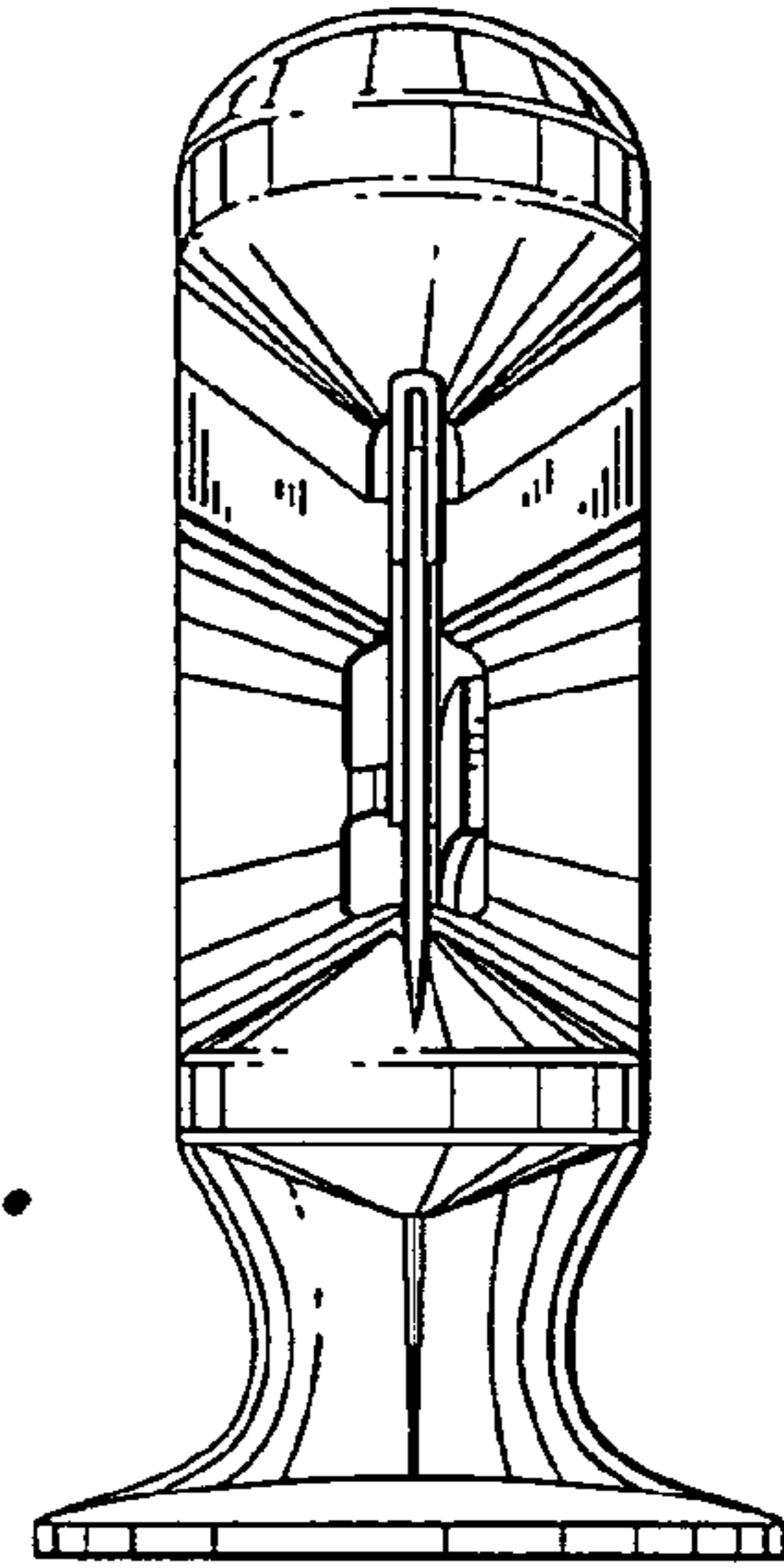


FIG. 5.

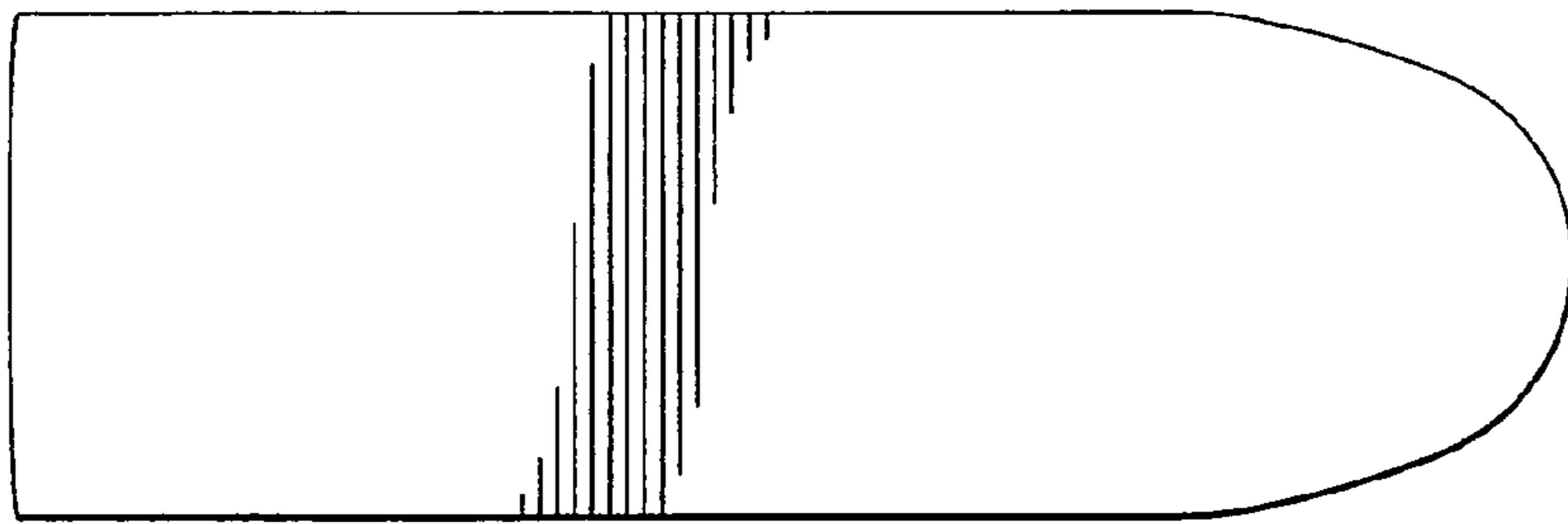


FIG. 7.

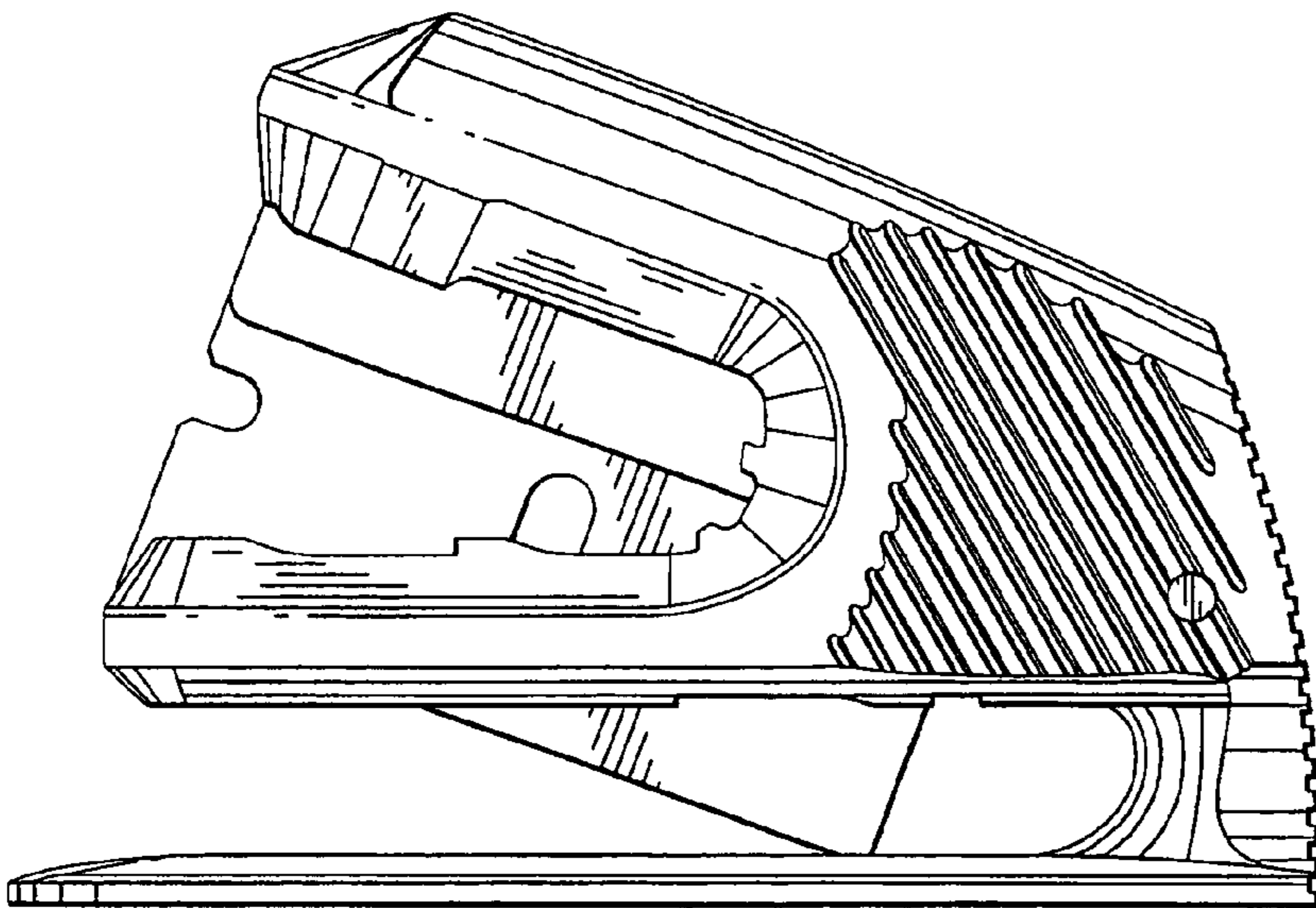


FIG. 6.