



US00D545162S

(12) **United States Design Patent**
Ranieri

(10) **Patent No.:** **US D545,162 S**
(45) **Date of Patent:** **** Jun. 26, 2007**

(54) **CLAMP**

(75) Inventor: **Eric Ranieri**, Becanson (FR)

(73) Assignee: **The Stanley Works**, New Britain, CT (US)

(**) Term: **14 Years**

(21) Appl. No.: **29/265,911**

(22) Filed: **Sep. 12, 2006**

(51) **LOC (8) Cl.** **08-05**

(52) **U.S. Cl.** **D8/73**

(58) **Field of Classification Search** D8/71-74,
D8/394, 59; 269/3, 6, 143, 147-149, 95,
269/240, 246, 247, 249; 81/355, 356, 353,
81/487; 29/257, 276; D15/140

See application file for complete search history.

(56) **References Cited**

U.S. PATENT DOCUMENTS

D328,846 S *	8/1992	Sorensen et al.	D8/72
D366,820 S *	2/1996	Wooster et al.	D8/72
D417,377 S *	12/1999	Blank et al.	D8/72
D439,487 S *	3/2001	Renner	D8/72
6,338,475 B1 *	1/2002	Ping	269/6
6,585,243 B1 *	7/2003	Li	269/6
D484,017 S *	12/2003	Knox	D8/72
D488,043 S *	4/2004	Ben-Gigi	D8/72

D494,828 S *	8/2004	Phillips	D8/72
6,929,253 B2 *	8/2005	Marks	269/6
D516,892 S *	3/2006	Ping	D8/72
7,017,894 B1 *	3/2006	Lin	269/6
2006/0226588 A1 *	10/2006	Khachatoorian et al.	269/6

* cited by examiner

Primary Examiner—Louis Zarfaz

Assistant Examiner—David Muller

(74) *Attorney, Agent, or Firm*—Pillsbury Winthrop Shaw Pittman LLP

(57) **CLAIM**

The ornamental design for a clamp, as shown and described.

DESCRIPTION

FIG. 1 is a perspective illustration, from the front and right side, of a clamp according to my design;

FIG. 2 is a left elevation view thereof;

FIG. 3 is a right elevation view thereof;

FIG. 4 is a top plan view thereof;

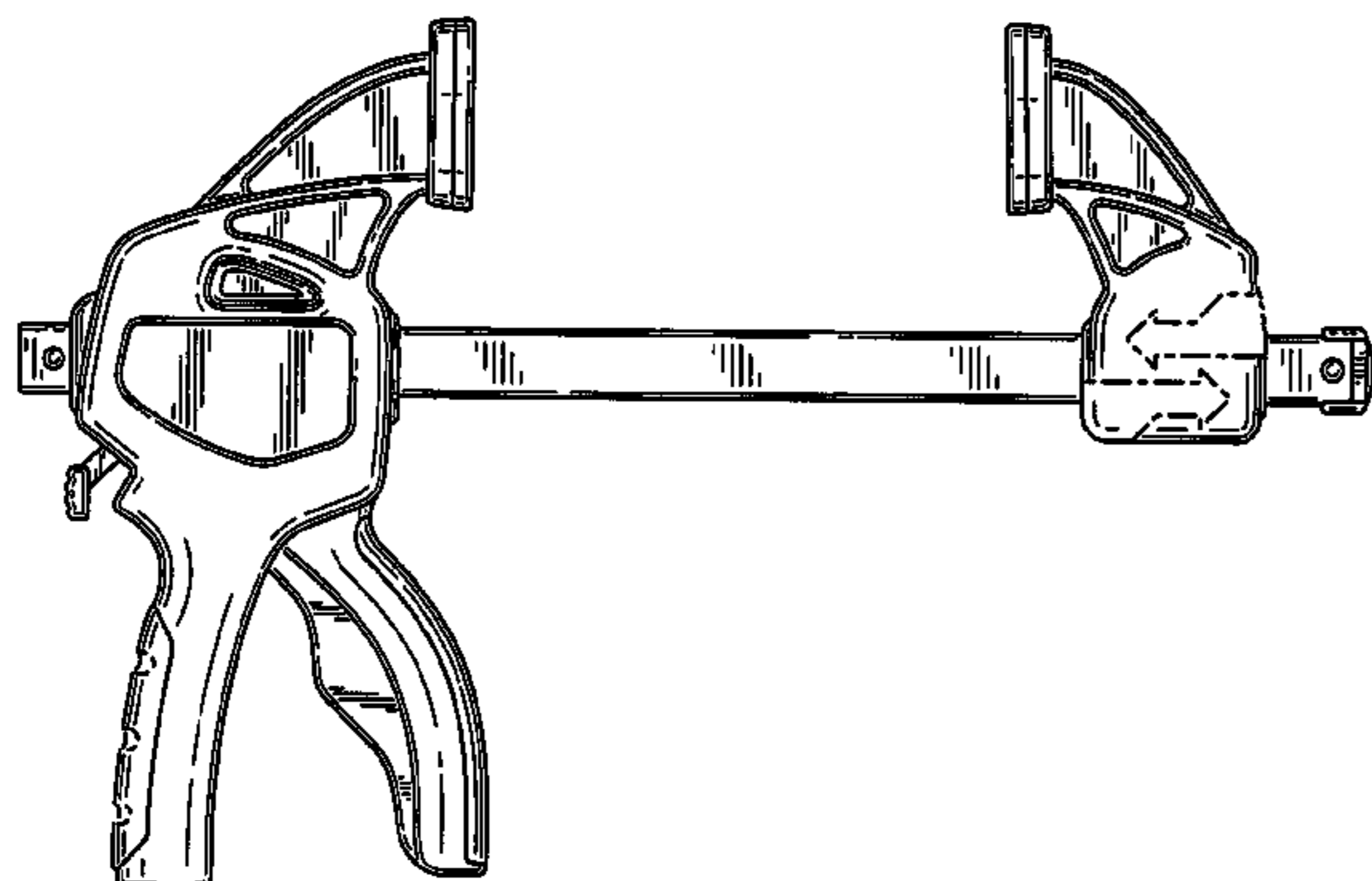
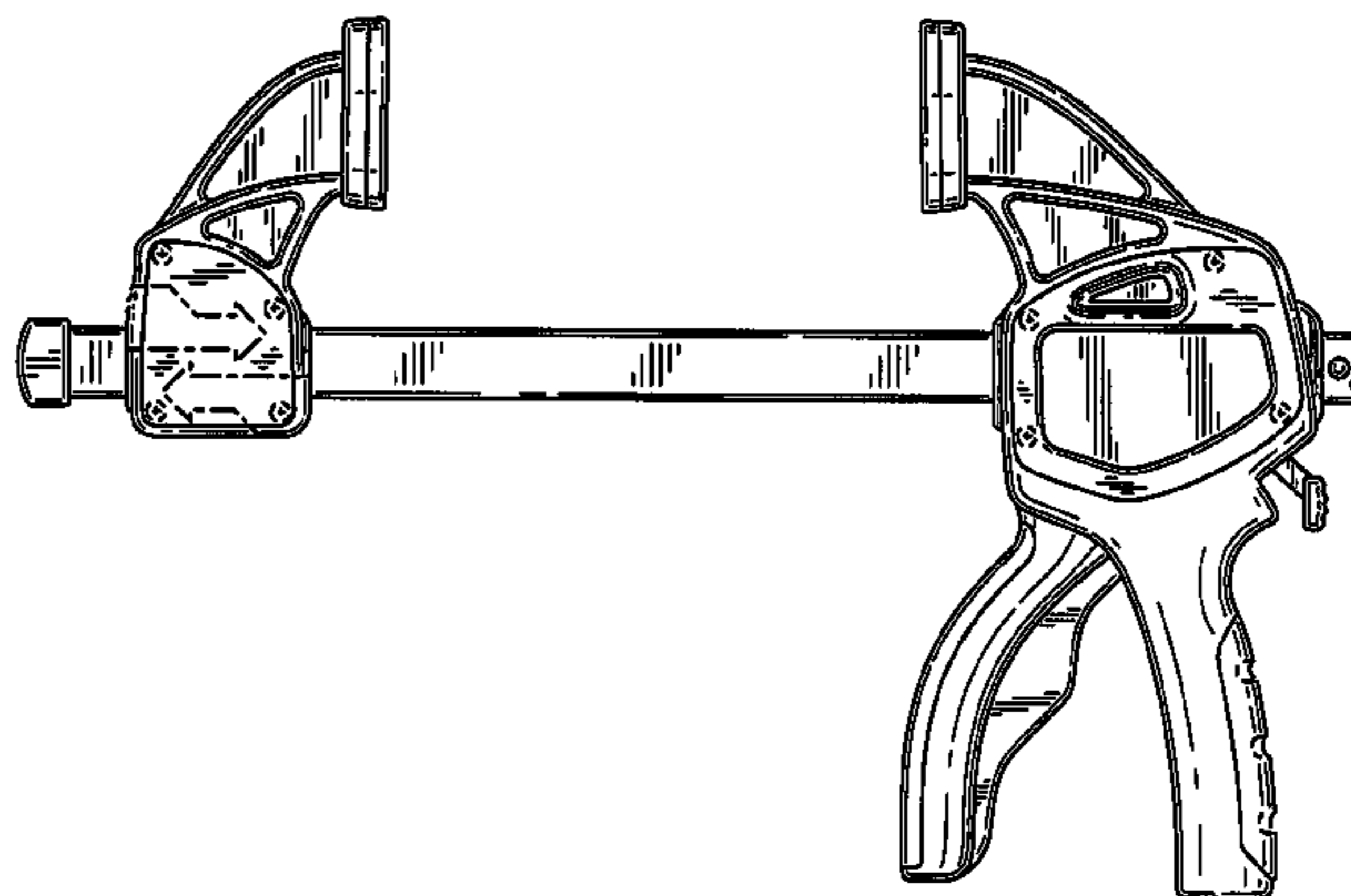
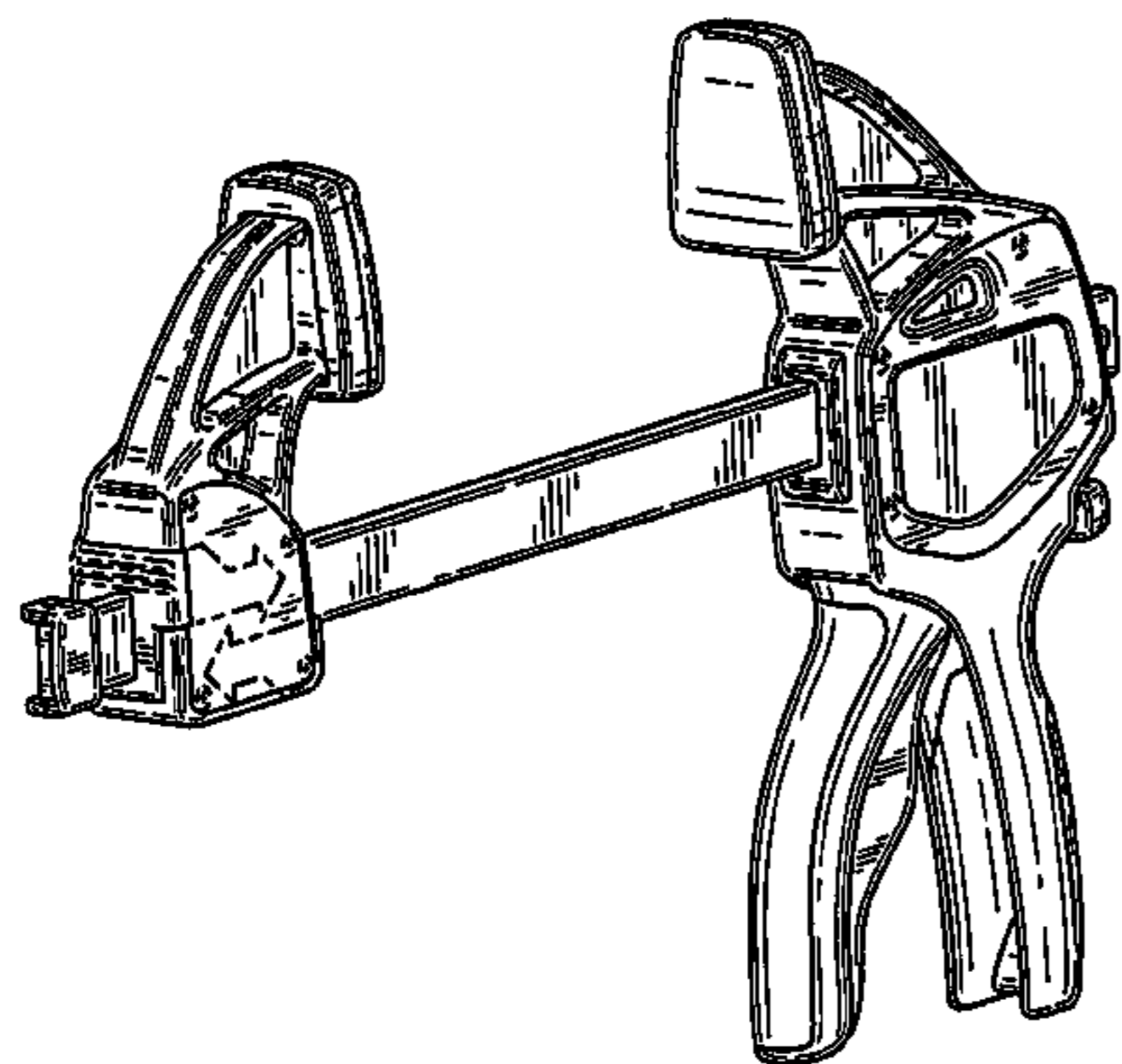
FIG. 5 is a bottom plan view thereof;

FIG. 6 is a front elevation view thereof; and,

FIG. 7 is a rear elevation view thereof.

In FIGS. 1-7, broken lines showing structure are for illustrative purposes only and form no part of the claimed design.

1 Claim, 5 Drawing Sheets



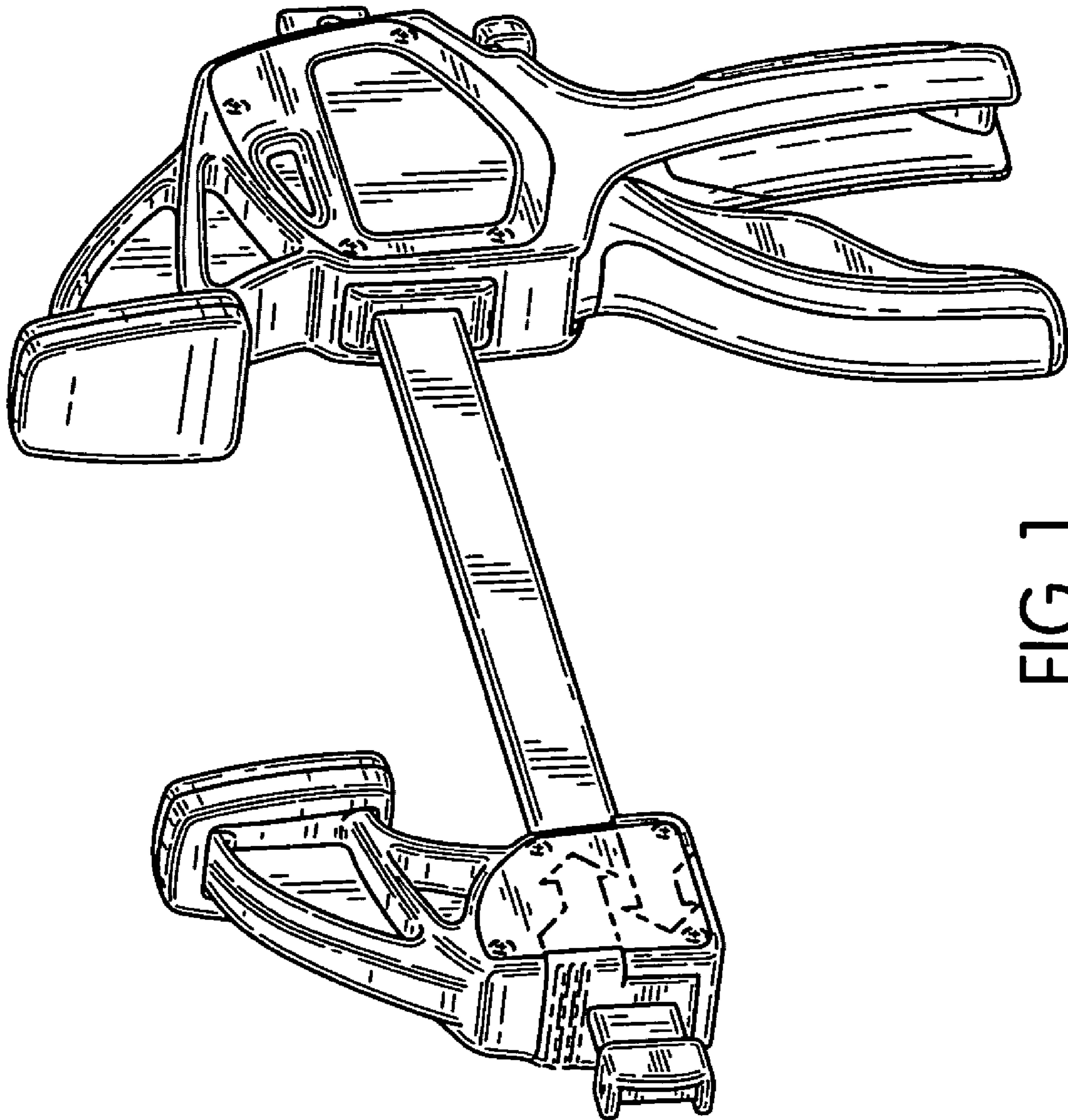


FIG. 1

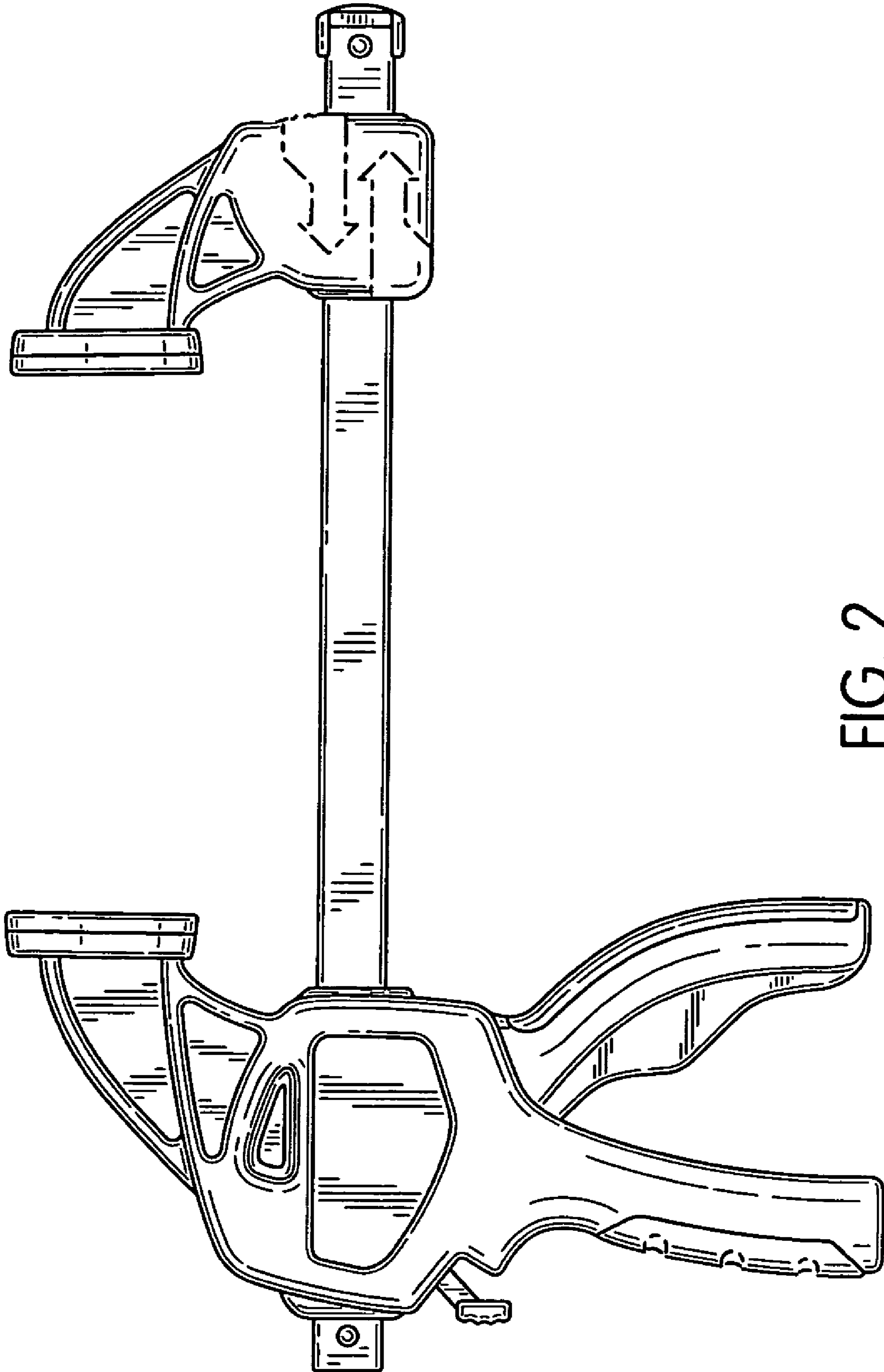


FIG. 2

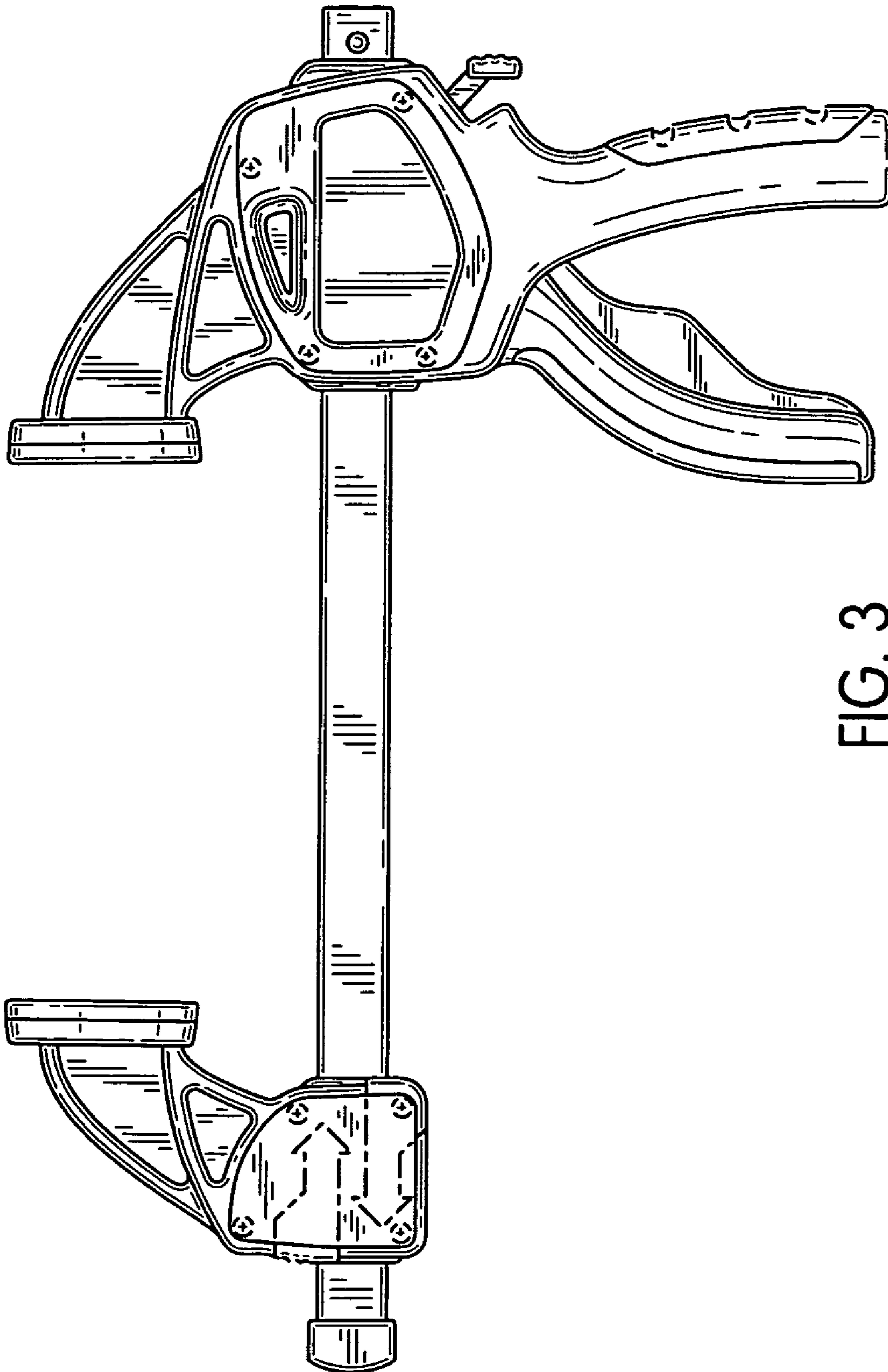


FIG. 3

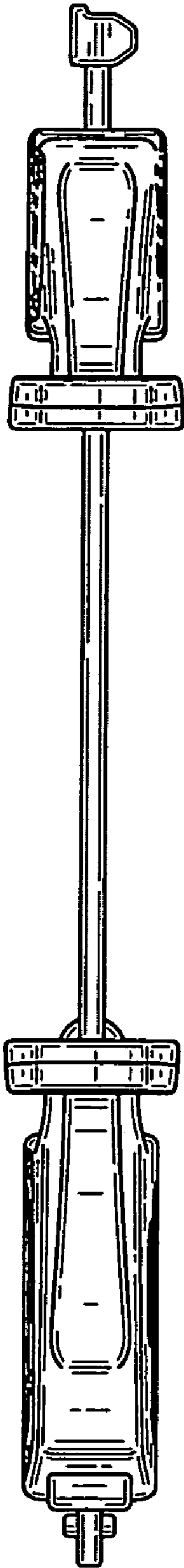


FIG. 4

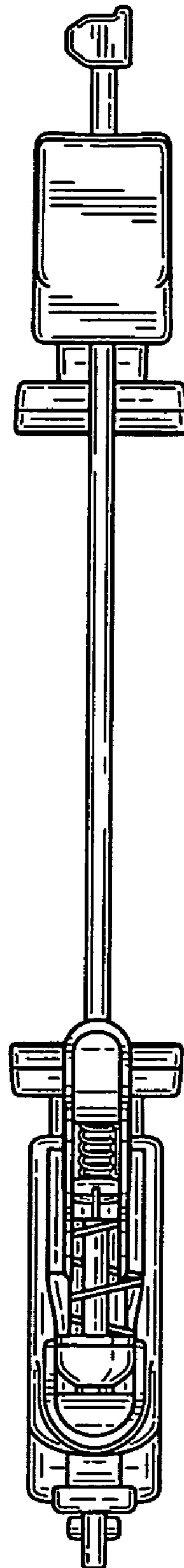


FIG. 5

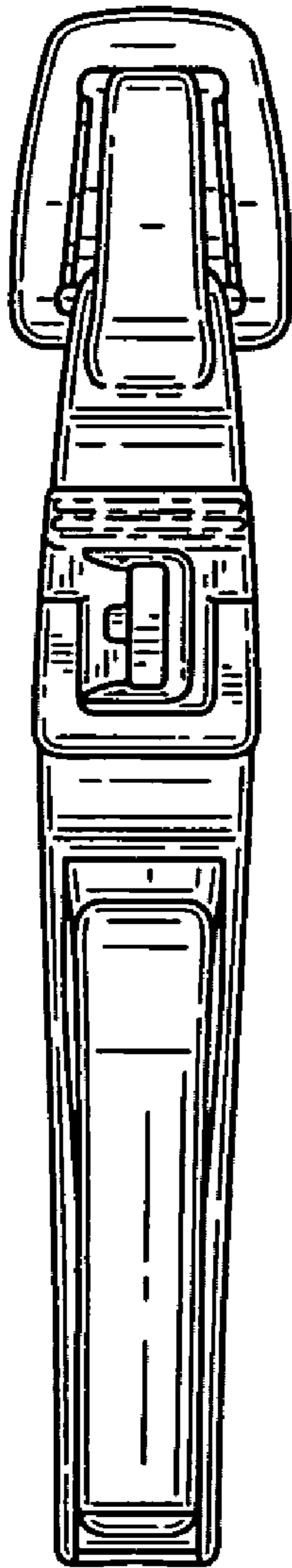


FIG. 6

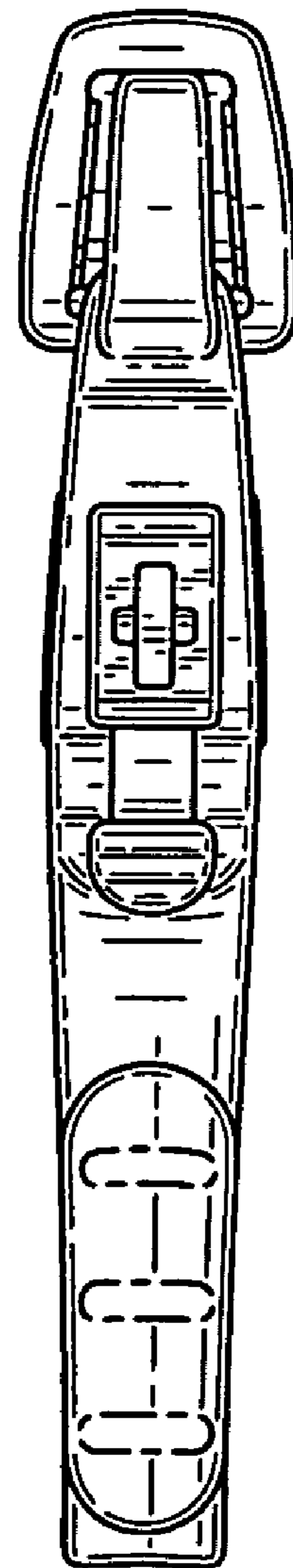


FIG. 7