

US00D545161S

(12) **United States Design Patent**
Ranieri

(10) **Patent No.:** **US D545,161 S**

(45) **Date of Patent:** **** Jun. 26, 2007**

(54) **CLAMP**

(75) Inventor: **Eric Ranieri**, Becanson (FR)

(73) Assignee: **The Stanley Works**, New Britain, CT (US)

(**) Term: **14 Years**

(21) Appl. No.: **29/265,910**

(22) Filed: **Sep. 12, 2006**

(51) **LOC (8) Cl.** **08-05**

(52) **U.S. Cl.** **D8/72**

(58) **Field of Classification Search** D8/71-74,
D8/394, 59; 269/3, 6, 143, 147-149, 95,
269/240, 246, 247, 249; 81/355, 356, 353,
81/487; 29/257, 276; D15/140

See application file for complete search history.

(56) **References Cited**

U.S. PATENT DOCUMENTS

1,793,561	A *	2/1931	Schmieder	269/246
2,168,257	A *	8/1939	Farmer	269/249
3,914,830	A *	10/1975	Bolton	D8/73
5,427,364	A *	6/1995	Zborschil	269/249
D376,970	S *	12/1996	Drake	D8/72
D413,429	S *	9/1999	Carson	D8/72
6,113,089	A *	9/2000	Kleinbongartz	269/249
6,367,790	B2 *	4/2002	Ocklenburg et al.	269/249

D467,152	S *	12/2002	Wolff	D8/72
D480,617	S *	10/2003	Varzino	D8/73
D487,689	S *	3/2004	Brass et al.	D8/73
D489,241	S *	5/2004	Parham et al.	D8/73
6,848,683	B2 *	2/2005	Foshag et al.	269/3

* cited by examiner

Primary Examiner—Louis Zarfaz

Assistant Examiner—David Muller

(74) *Attorney, Agent, or Firm*—Pillsbury Winthrop Shaw Pittman LLP

(57) **CLAIM**

The ornamental design for a clamp, as shown and described.

DESCRIPTION

FIG. 1 is a perspective illustration, from the front and right side, of a clamp according to my design;

FIG. 2 is a right elevation view thereof;

FIG. 3 is a left elevation view thereof;

FIG. 4 is a top plan view thereof;

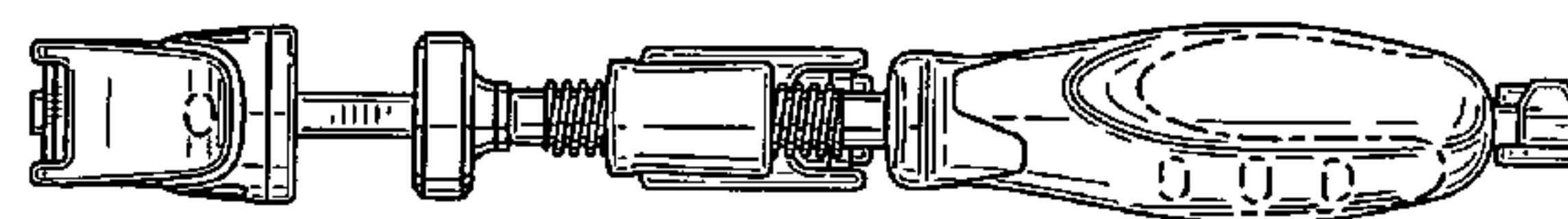
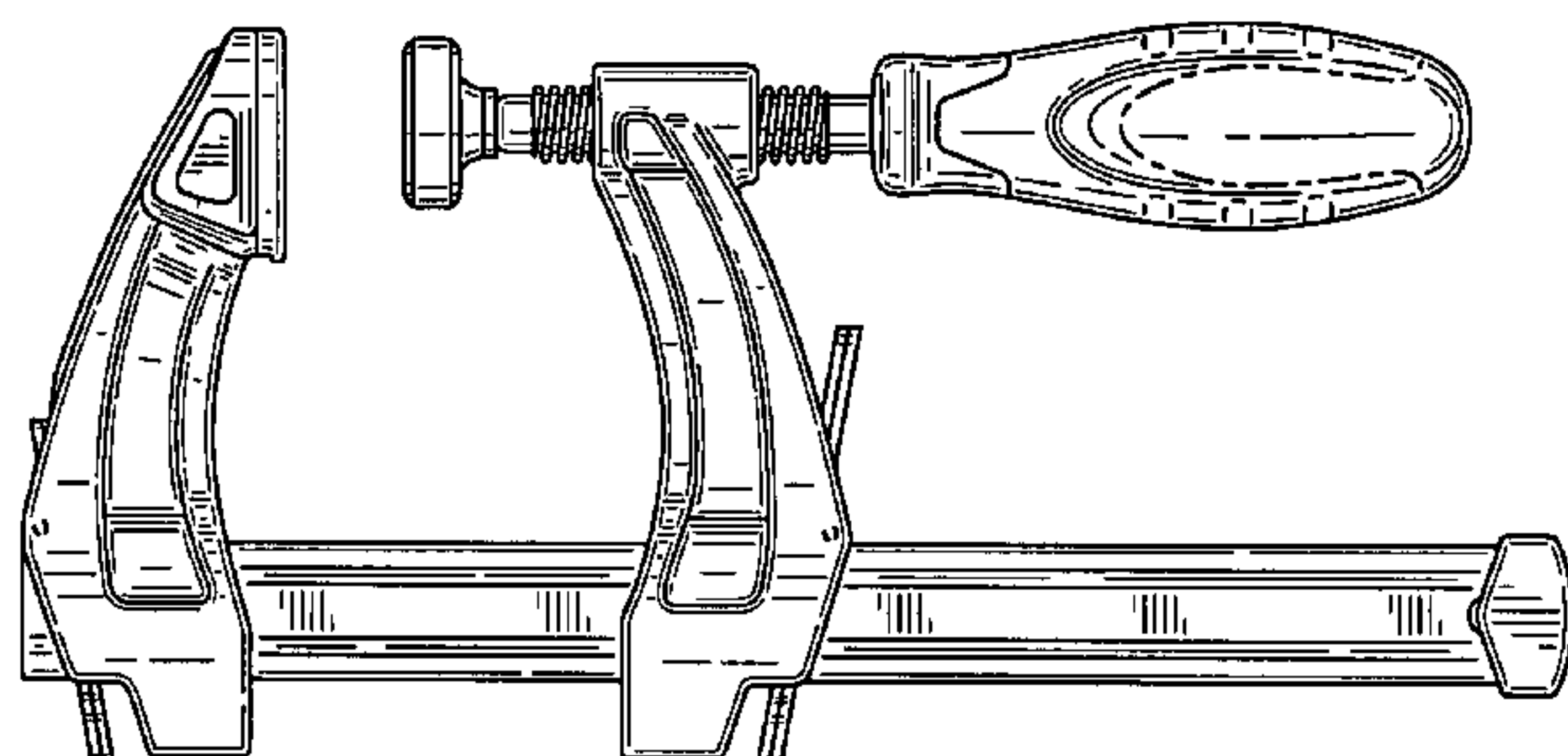
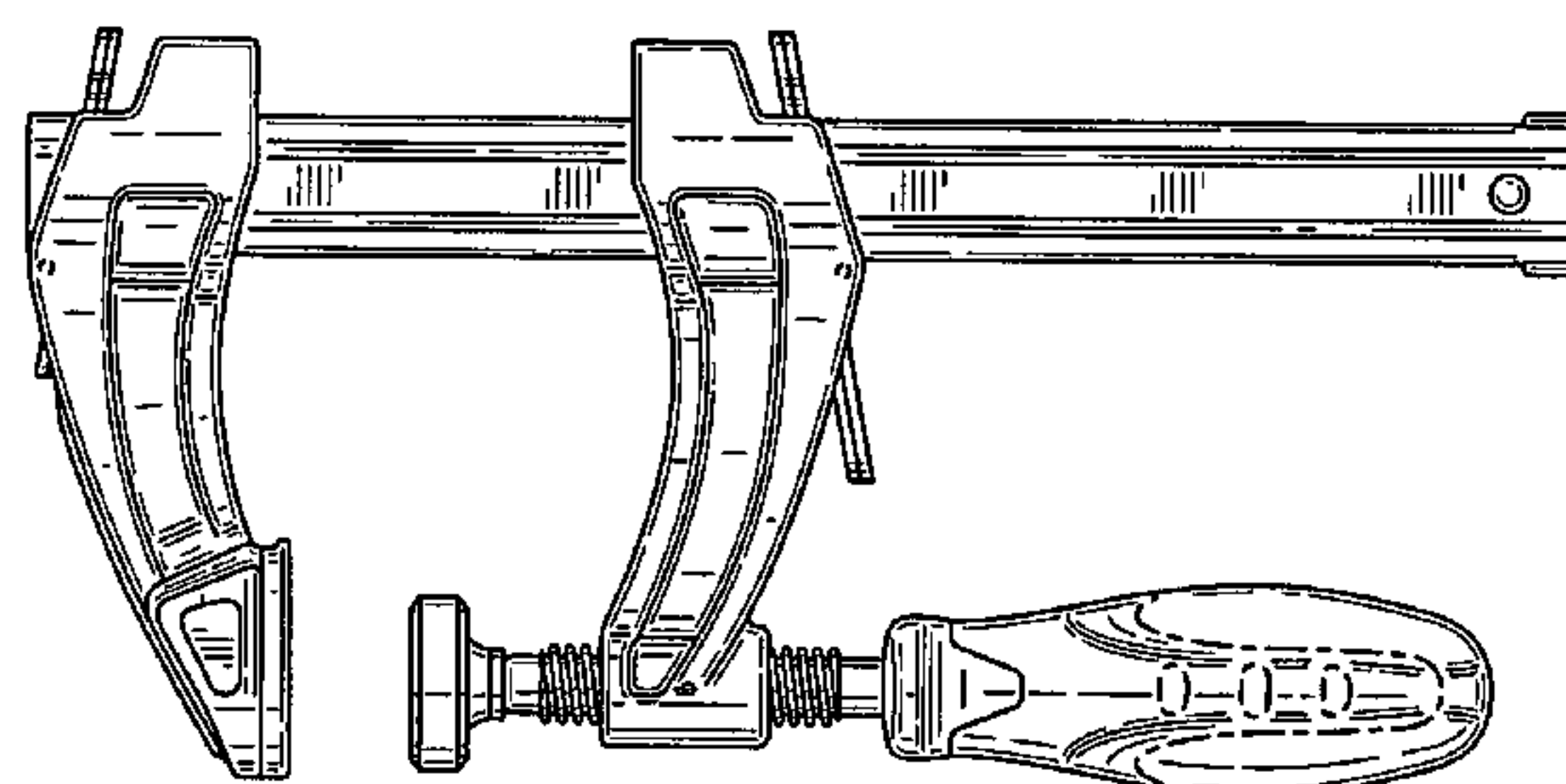
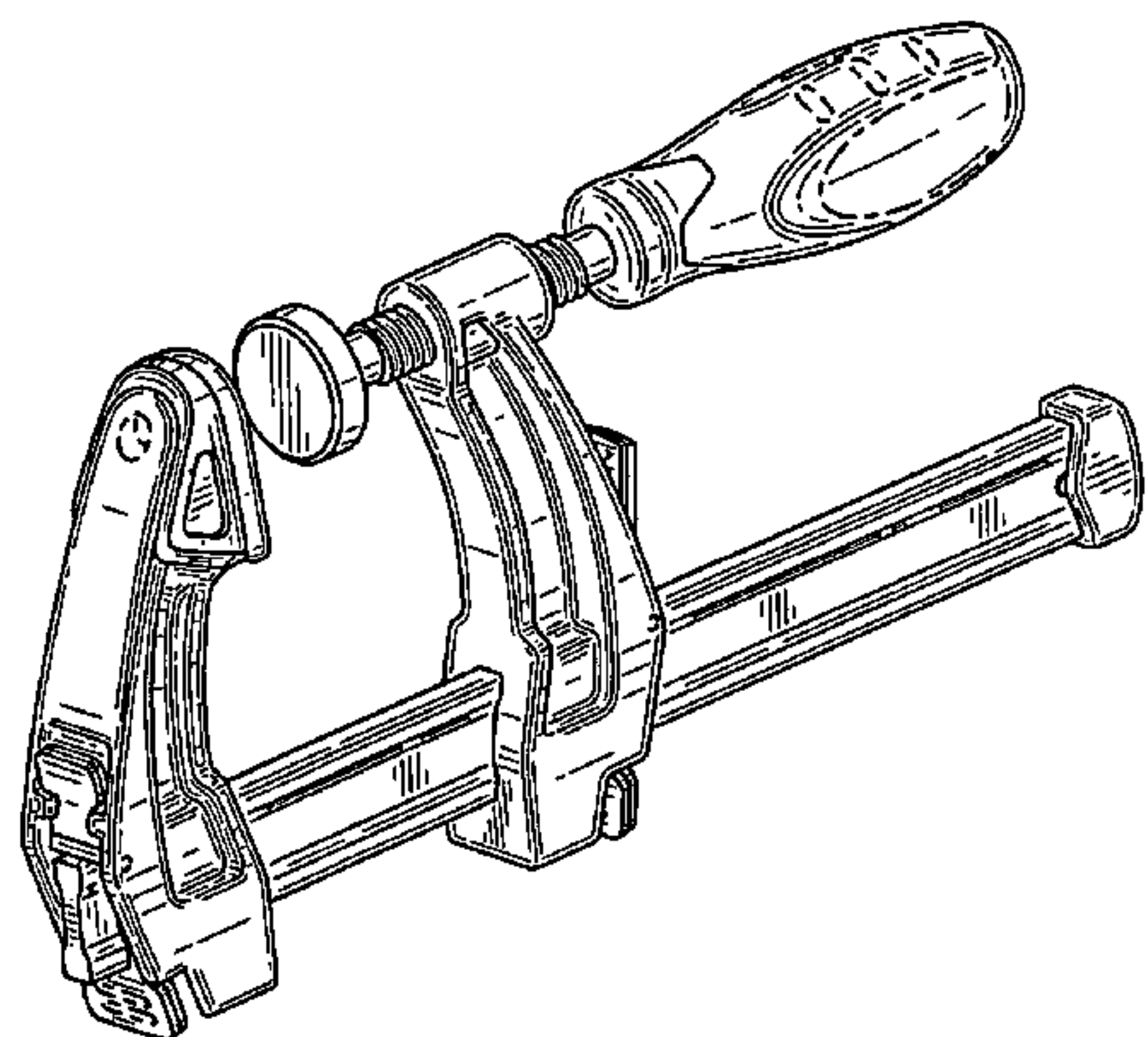
FIG. 5 is a bottom plan view thereof;

FIG. 6 is a rear elevation view thereof; and,

FIG. 7 is a front elevation view thereof.

In FIGS. 1-7, broken lines showing structure are for illustrative purposes only and form no part of the claimed design.

1 Claim, 5 Drawing Sheets



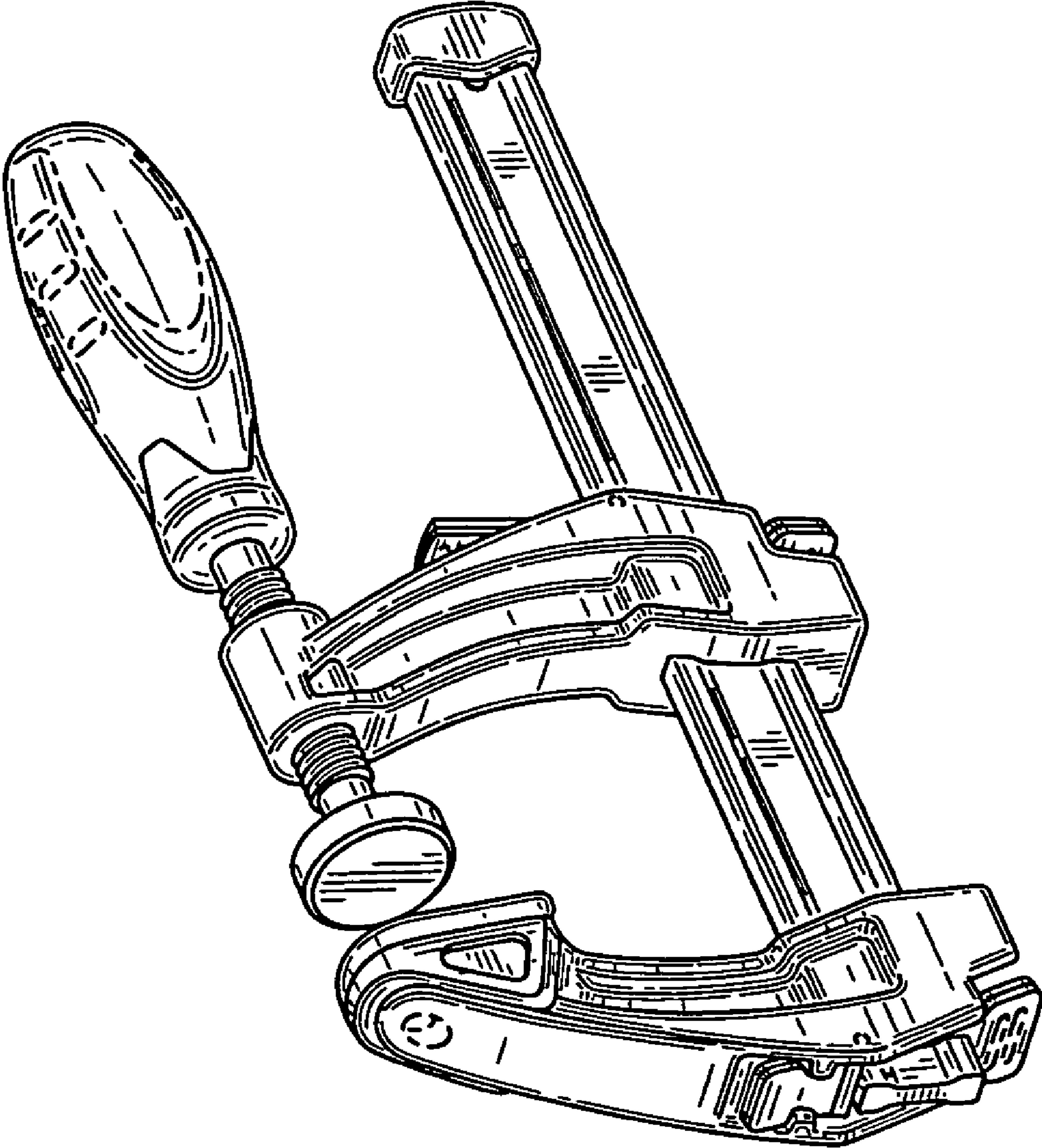


FIG. 1

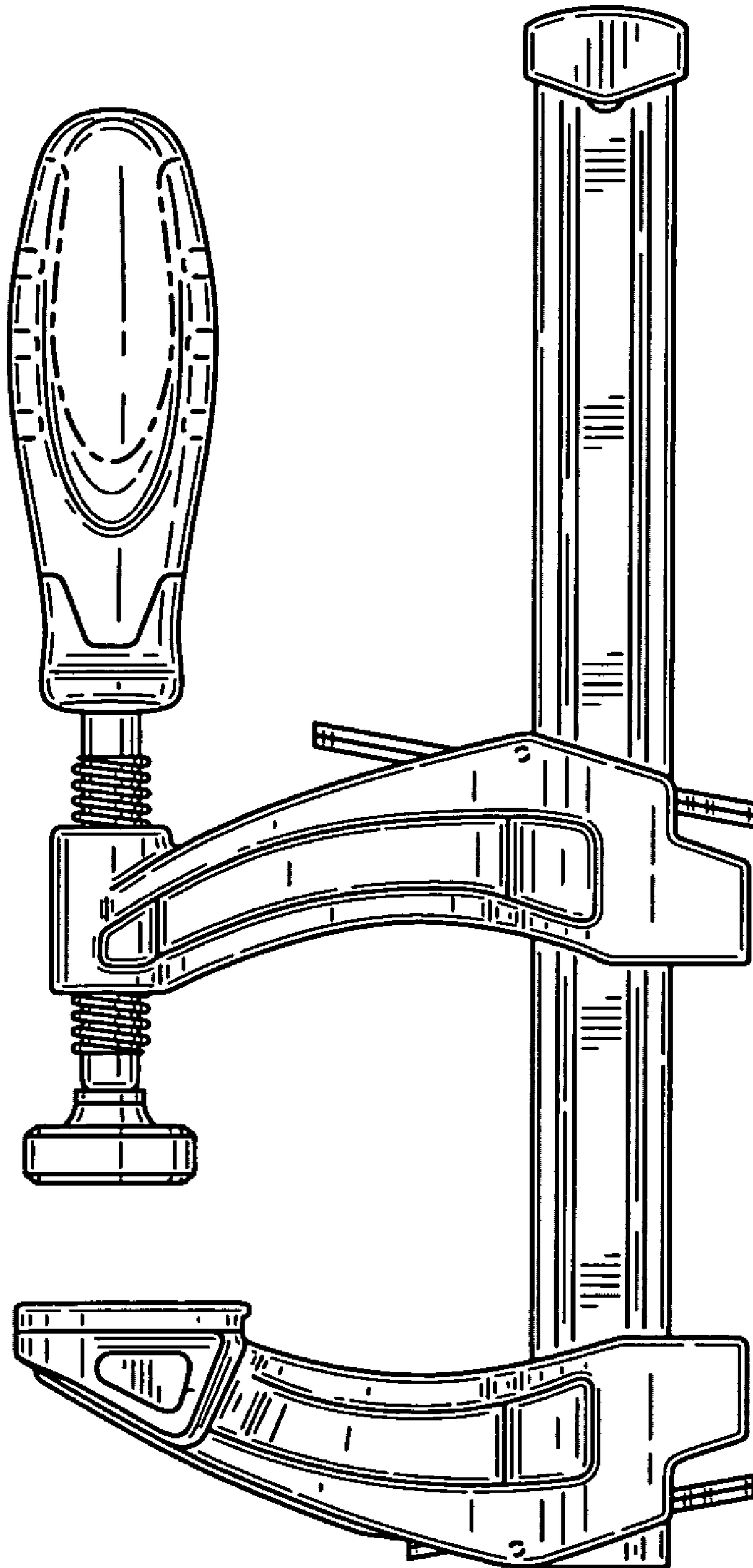


FIG. 2

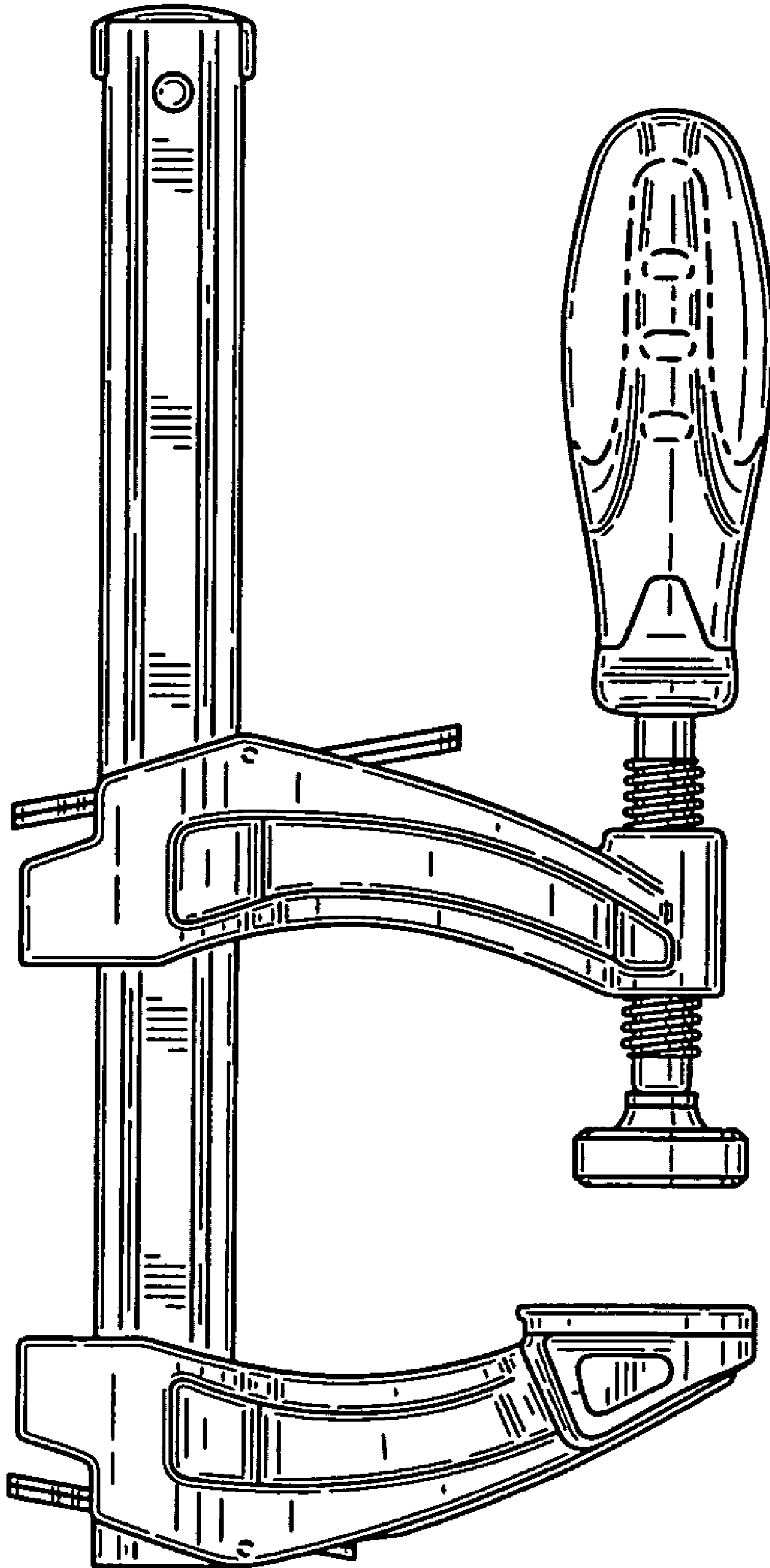


FIG. 3

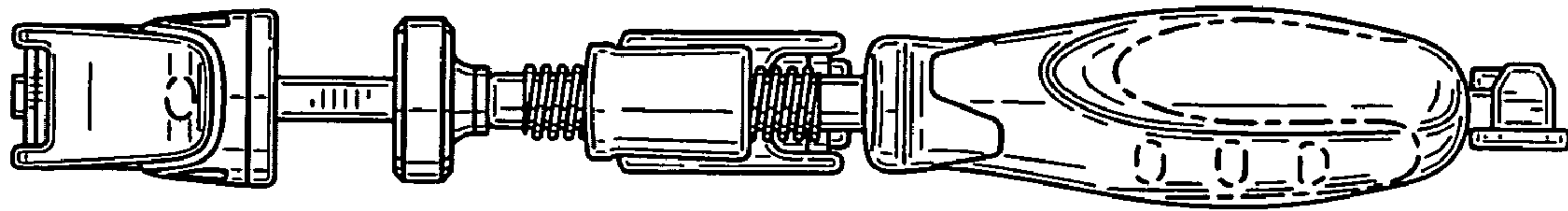


FIG. 4

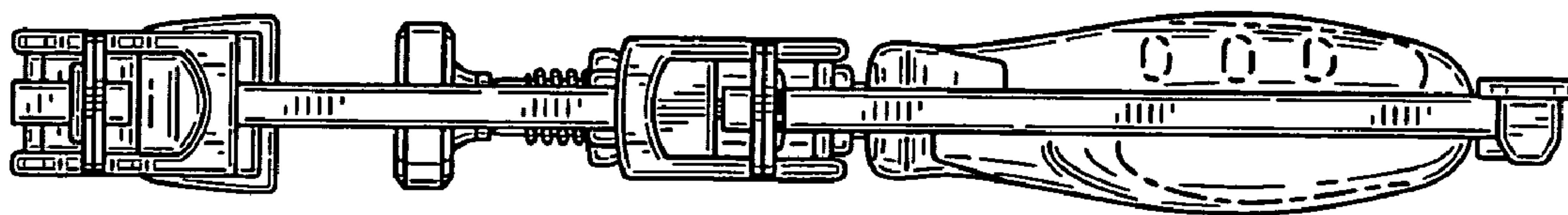


FIG. 5

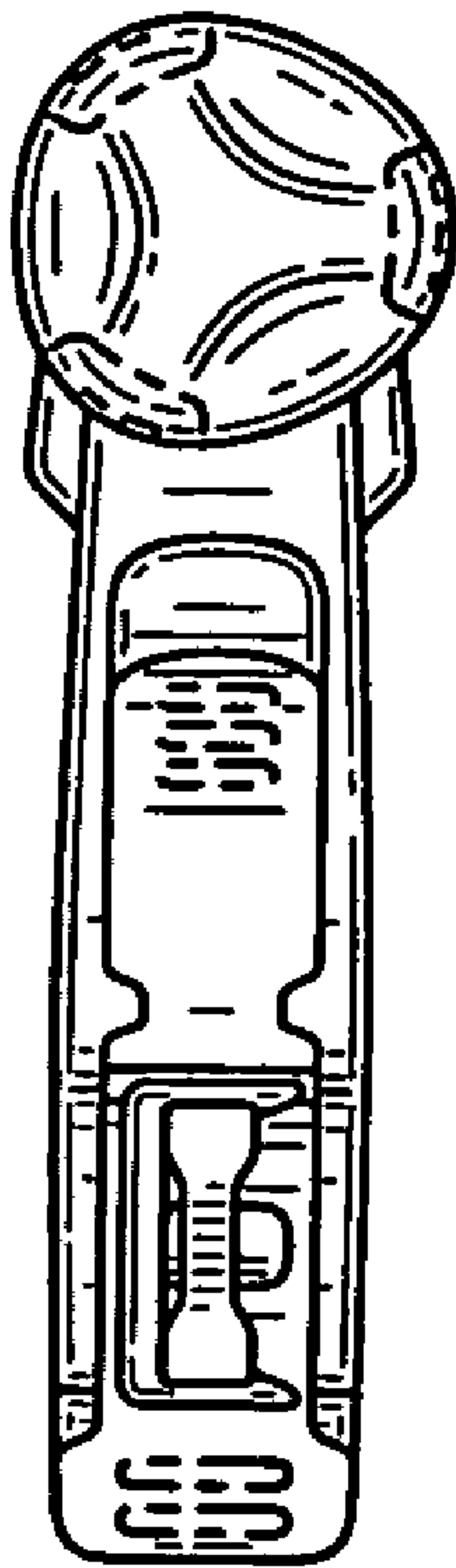


FIG. 6

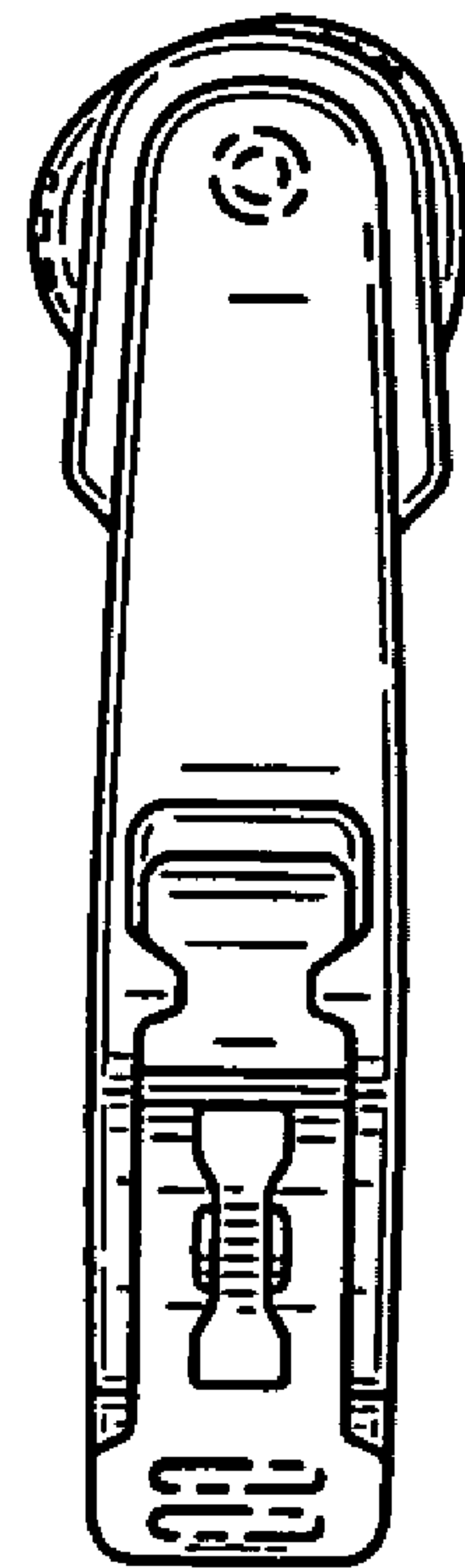


FIG. 7