



US00D545160S

(12) **United States Design Patent**  
**Lee**

(10) **Patent No.:** **US D545,160 S**  
(45) **Date of Patent:** **\*\* Jun. 26, 2007**

(54) **FASTENER BELT**

(76) Inventor: **Pei-Ling Lee**, No. 13, Tung-Hsing Lane, Sec. 1, Tung-Shan Rd., Taichung City (TW)

(\*\*) Term: **14 Years**

(21) Appl. No.: **29/223,194**

(22) Filed: **Feb. 9, 2005**

(51) **LOC (8) Cl.** ..... **08-05**

(52) **U.S. Cl.** ..... **D8/71; D8/70**

(58) **Field of Classification Search** ..... D8/71, D8/14, 70, 72, 73, 74, 349, 354, 373, 395; D6/553; D15/130, 132, 138, 139, 140, 136, D15/141; 211/70.1, 70.6; 89/35.01; 81/44; 206/340, 341, 338, 345, 346, 347, 349; 411/442, 411/443, 966, 441; 227/176.1, 177.1, 178.1, 227/179.1, 180.1, 135, 136, 150  
See application file for complete search history.

6,276,253	B1 *	8/2001	Sprenger et al.	89/35.01
D472,123	S *	3/2003	Juan	D8/70
D472,783	S *	4/2003	Gaudron	D8/70
6,679,415	B1 *	1/2004	Gupta	227/135
6,708,821	B2 *	3/2004	Tucker et al.	227/136
6,761,268	B2 *	7/2004	Shinjo	206/347
6,814,231	B2 *	11/2004	Gupta	206/347
6,832,696	B2 *	12/2004	Donner	206/345
D514,414	S *	2/2006	Teng	D8/70
D530,177	S *	10/2006	Alverson, Jr.	D8/71
2002/0092784	A1 *	7/2002	Gaudron	206/347
2003/0047064	A1 *	3/2003	Dittrich et al.	89/35.01
2003/0116458	A1 *	6/2003	Donner	206/345
2003/0127346	A1 *	7/2003	Chen et al.	206/346
2004/0042875	A1 *	3/2004	Huang	411/442
2006/0006087	A1 *	1/2006	Lin	206/347
2006/0006088	A1 *	1/2006	Lin	206/347

\* cited by examiner

*Primary Examiner*—T. Chase Nelson  
(74) *Attorney, Agent, or Firm*—MacPherson Kwok Chen & Heid LLP

(56) **References Cited**

**U.S. PATENT DOCUMENTS**

4,036,103	A *	7/1977	Gawlick et al.	89/35.01
D289,005	S *	3/1987	Babb	D8/72
5,036,746	A *	8/1991	Ehmig et al.	89/35.01
D335,434	S *	5/1993	Someya	D8/71
D356,479	S *	3/1995	Chen	D8/71
5,492,065	A *	2/1996	Jena et al.	89/35.01
5,509,768	A *	4/1996	Hon	206/347
5,522,687	A *	6/1996	Chen	206/347
5,713,709	A *	2/1998	Huang	206/345
5,775,514	A *	7/1998	Lin	206/345
5,779,420	A *	7/1998	Huang	206/347
5,788,445	A *	8/1998	Huang	206/347
5,803,691	A *	9/1998	Huang	411/441
5,811,717	A *	9/1998	Day et al.	89/35.01
5,836,732	A *	11/1998	Gupta et al.	206/347
D403,940	S *	1/1999	Steinfeldt	D8/70
5,913,421	A *	6/1999	Shinjo	206/341
5,931,298	A *	8/1999	Huang	206/347
5,984,096	A *	11/1999	Shinjo	206/347
6,036,013	A *	3/2000	Chen	206/347

(57) **CLAIM**

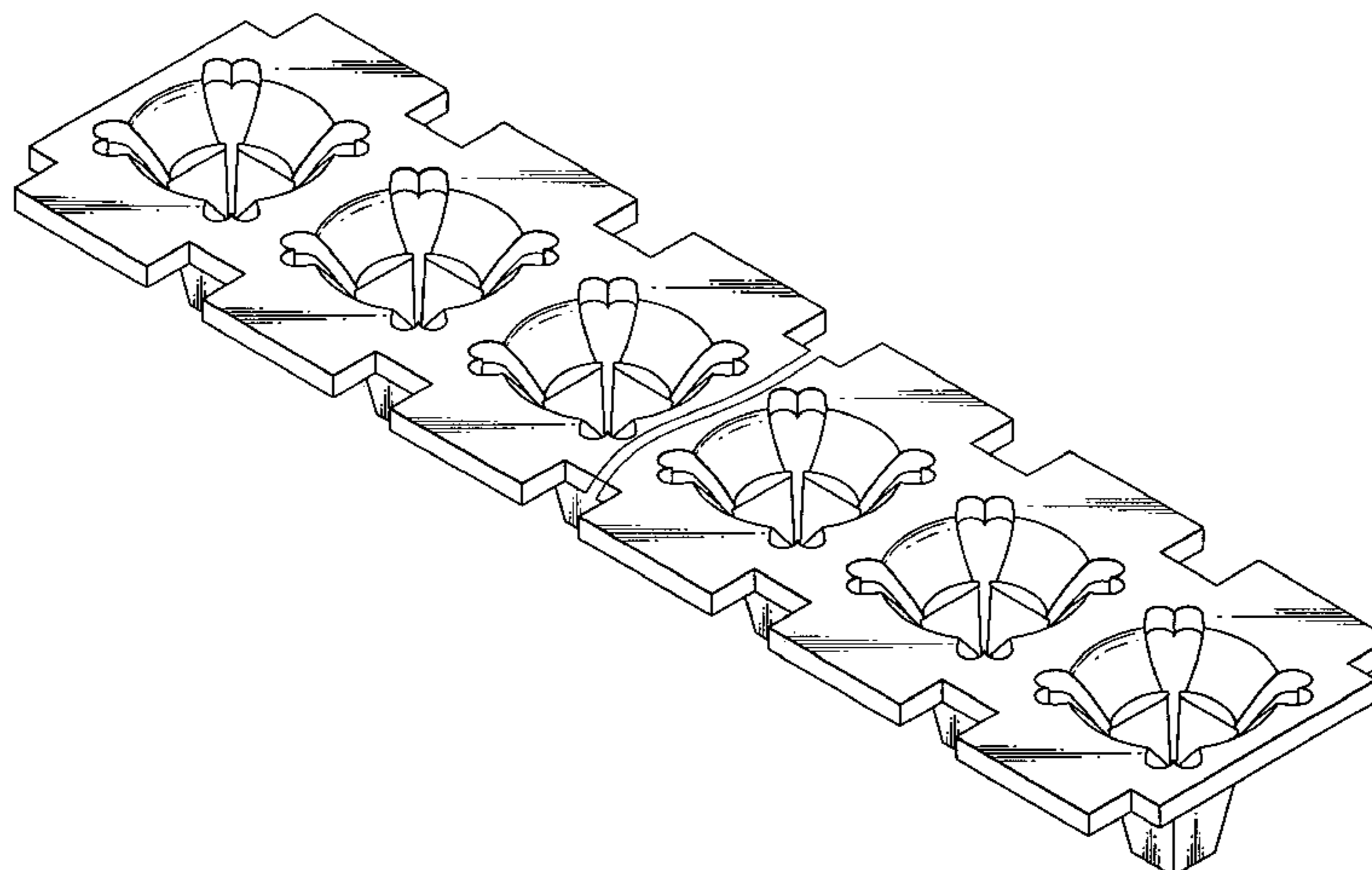
The ornamental design for fastener belt, as shown and described.

**DESCRIPTION**

FIG. 1 is a perspective view of fastener belt showing my new design;  
FIG. 2 is a front elevational view thereof;  
FIG. 3 is a rear elevational view thereof;  
FIG. 4 is a left side elevational view thereof;  
FIG. 5 is a right side elevational view thereof;  
FIG. 6 is a top plan view thereof; and,  
FIG. 7 is a bottom plan view thereof.

The fastener belt is shown broken away at its center in the figure views in order to indicate that a specific length of fastener belt forms no part of the claimed design.

**1 Claim, 4 Drawing Sheets**



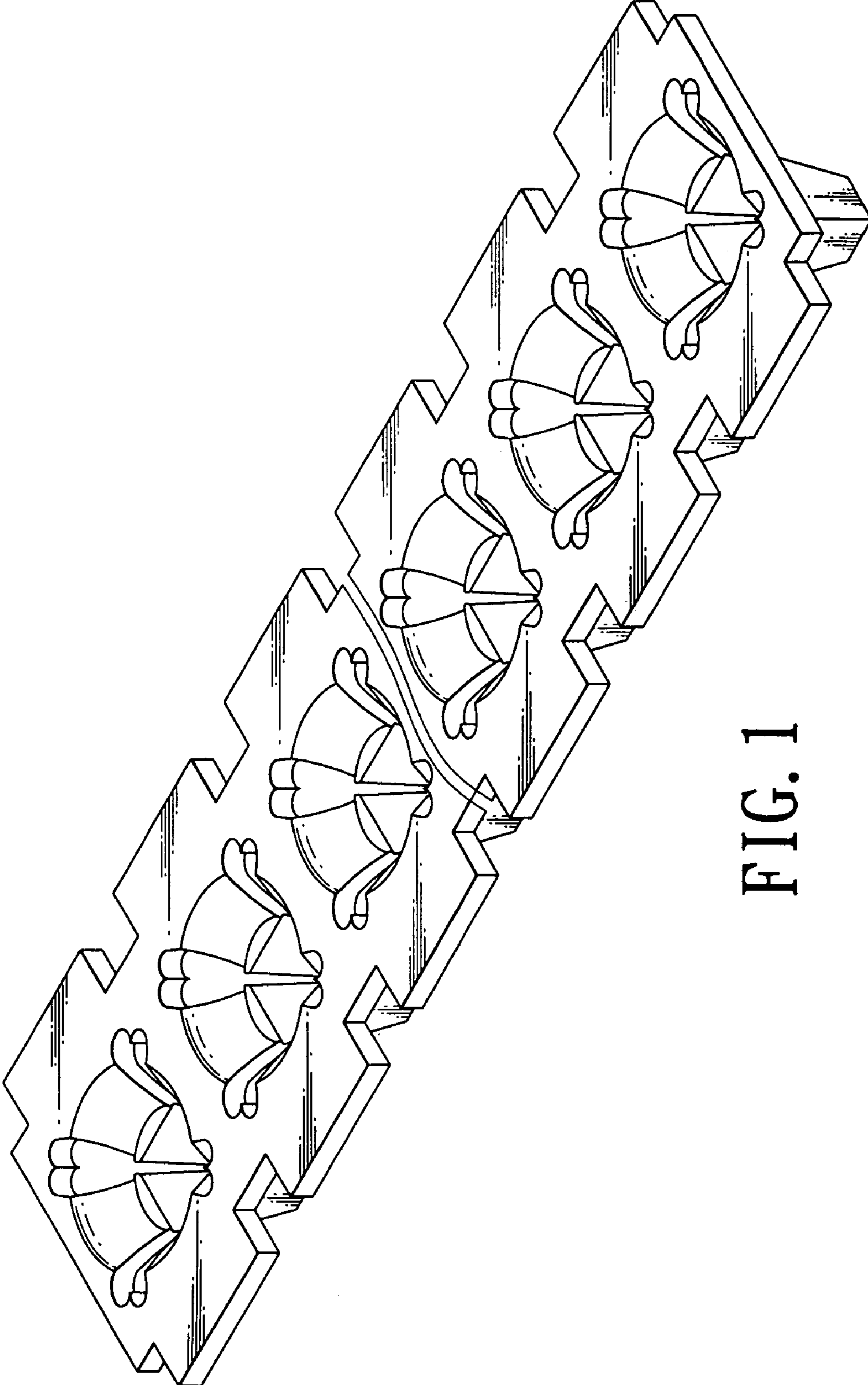


FIG. 1

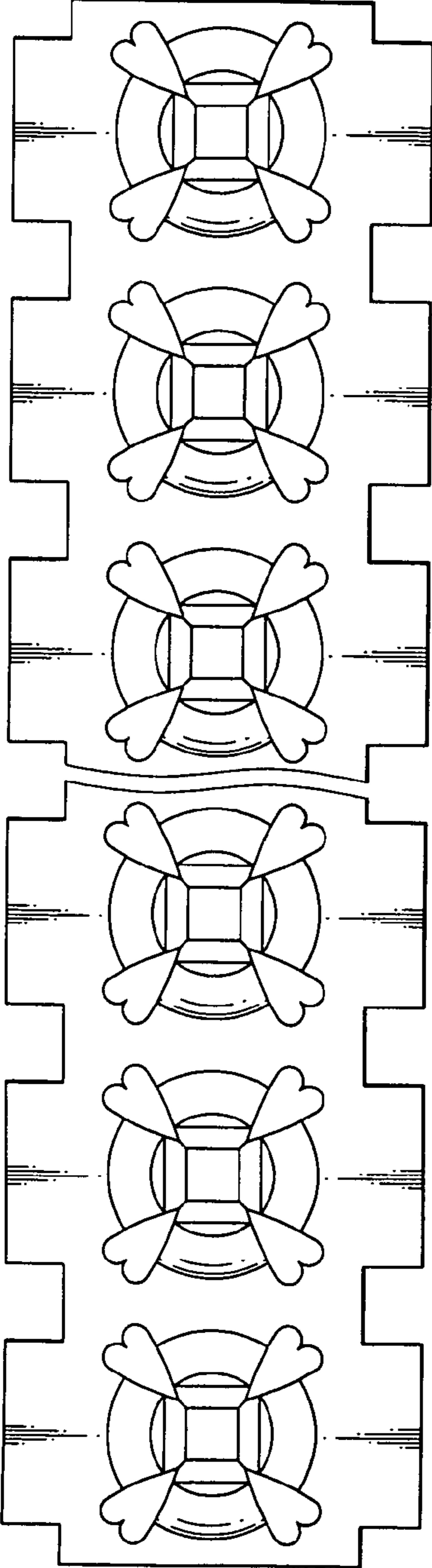


FIG. 2

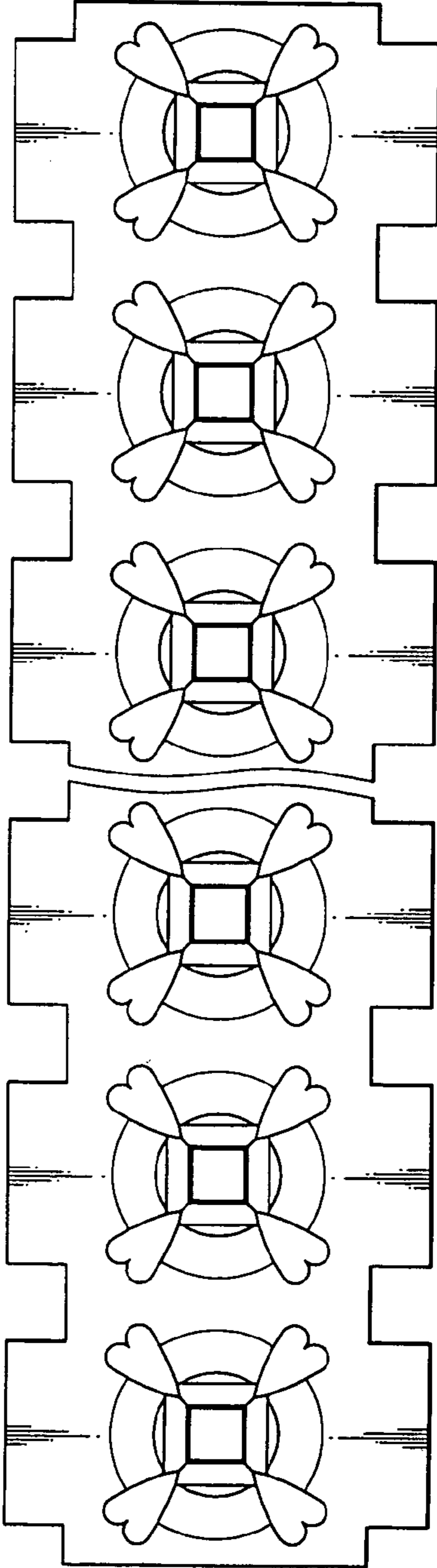


FIG. 3

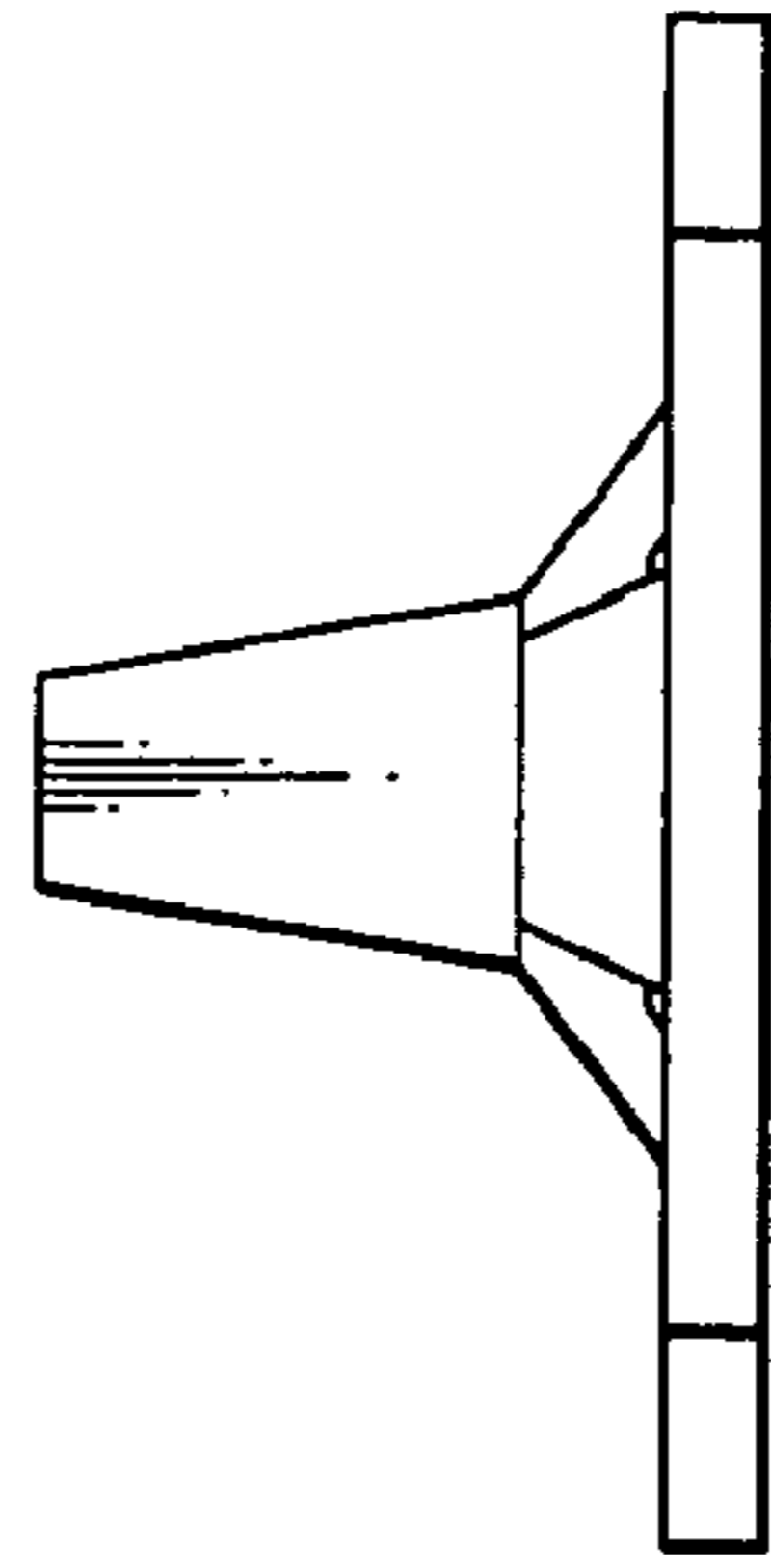


FIG. 4

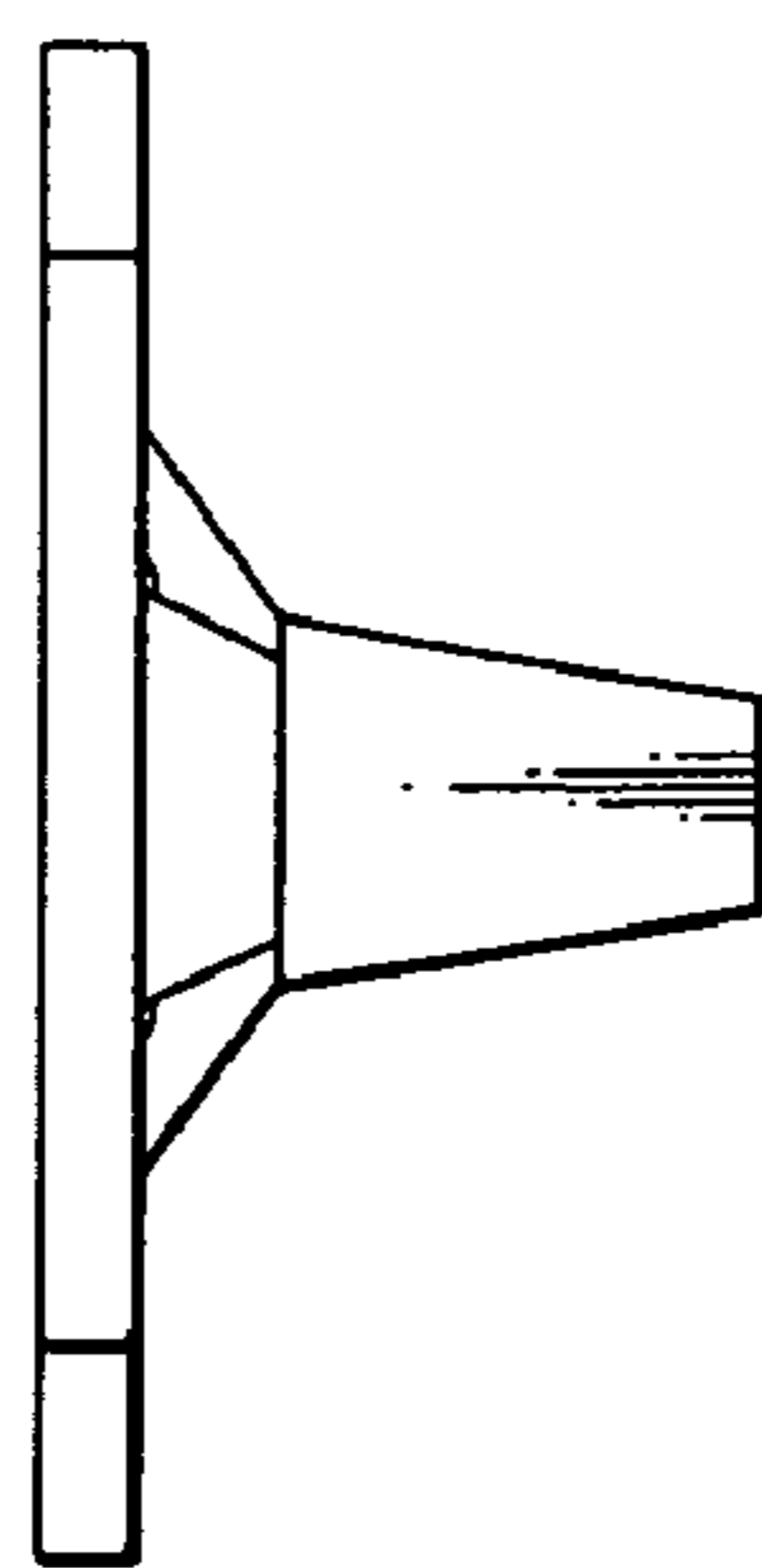


FIG. 5

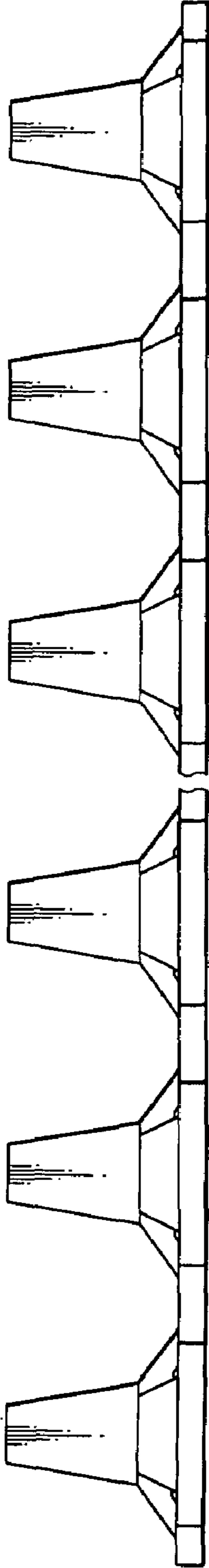


FIG. 6

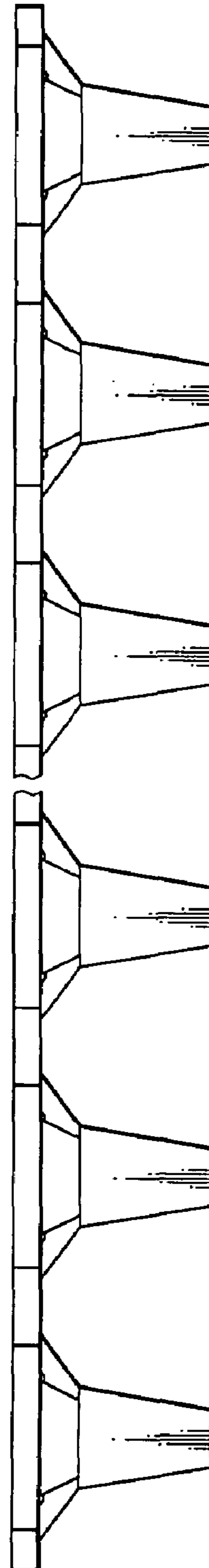


FIG. 7