



US00D545157S

(12) **United States Design Patent**  
**Fisher et al.**

(10) **Patent No.: US D545,157 S**

(45) **Date of Patent: \*\* Jun. 26, 2007**

(54) **CHAIN SAW**

(75) Inventors: **David B. Fisher**, Bowling Green, KY (US); **David E. Champlin**, Bowling Green, KY (US); **Douglas Sims**, Bowling Green, KY (US)

(73) Assignee: **Desa IP, LLC**, Miami, FL (US)

(\*\*) Term: **14 Years**

(21) Appl. No.: **29/237,720**

(22) Filed: **Sep. 6, 2005**

(51) **LOC (8) Cl. .... 08-03**

(52) **U.S. Cl. .... D8/65**

(58) **Field of Classification Search .... D8/7, D8/8, 9, 68, 70, 65, 66, 67, 62, 63, 64, 61; 30/386, 383, 382, 371, 123; 125/21**

See application file for complete search history.

(56) **References Cited**

**U.S. PATENT DOCUMENTS**

523,160 A	7/1894	Blakesley	
2,540,892 A	2/1951	Koch	
2,626,303 A	1/1953	Link	
2,670,017 A	2/1954	Fiest	
2,812,507 A	11/1957	Luisada	
2,909,754 A	10/1959	Bach	
3,274,531 A	9/1966	Bourhenne	
D210,948 S	5/1968	Middlemark	
D230,006 S *	1/1974	Guthrie et al. ....	D8/65
3,857,179 A	12/1974	Haupt et al.	
D237,352 S *	10/1975	Shymkus ....	D8/65
4,068,378 A	1/1978	Arai et al.	
4,103,511 A	8/1978	Kress et al.	
D255,770 S *	7/1980	Asamoto ....	D8/65
RE30,680 E	7/1981	Kress et al.	
4,365,416 A *	12/1982	Overbury ....	30/382
4,389,779 A *	6/1983	Overbury et al. ....	30/382
4,534,005 A *	8/1985	Nagashima et al. ....	700/282

4,680,862 A	7/1987	Wieland et al.	
4,730,952 A	3/1988	Wiley	
4,884,245 A	11/1989	McIntosh et al.	
D314,697 S *	2/1991	Pioch et al. ....	D8/64
5,088,197 A	2/1992	Anderson	
D325,330 S *	4/1992	Barnhill ....	D8/65
5,217,388 A	6/1993	Brown	
5,233,945 A	8/1993	Wolf et al.	
5,353,506 A	10/1994	Muller et al.	
5,404,614 A	4/1995	Stephens	
5,649,367 A *	7/1997	Hille et al. ....	30/387

(Continued)

**FOREIGN PATENT DOCUMENTS**

EP 0267472 5/1988

*Primary Examiner*—Cathron C. Brooks

*Assistant Examiner*—Austin Murphy

(74) *Attorney, Agent, or Firm*—Alexander P. Brackett; Middleton Reutlinger

(57) **CLAIM**

The ornamental design for a chain saw, as shown and described.

**DESCRIPTION**

FIG. 1 is a perspective view of our chain saw design;

FIG. 2 is a left view thereof;

FIG. 3 is a right side view thereof;

FIG. 4 is a bottom side view thereof;

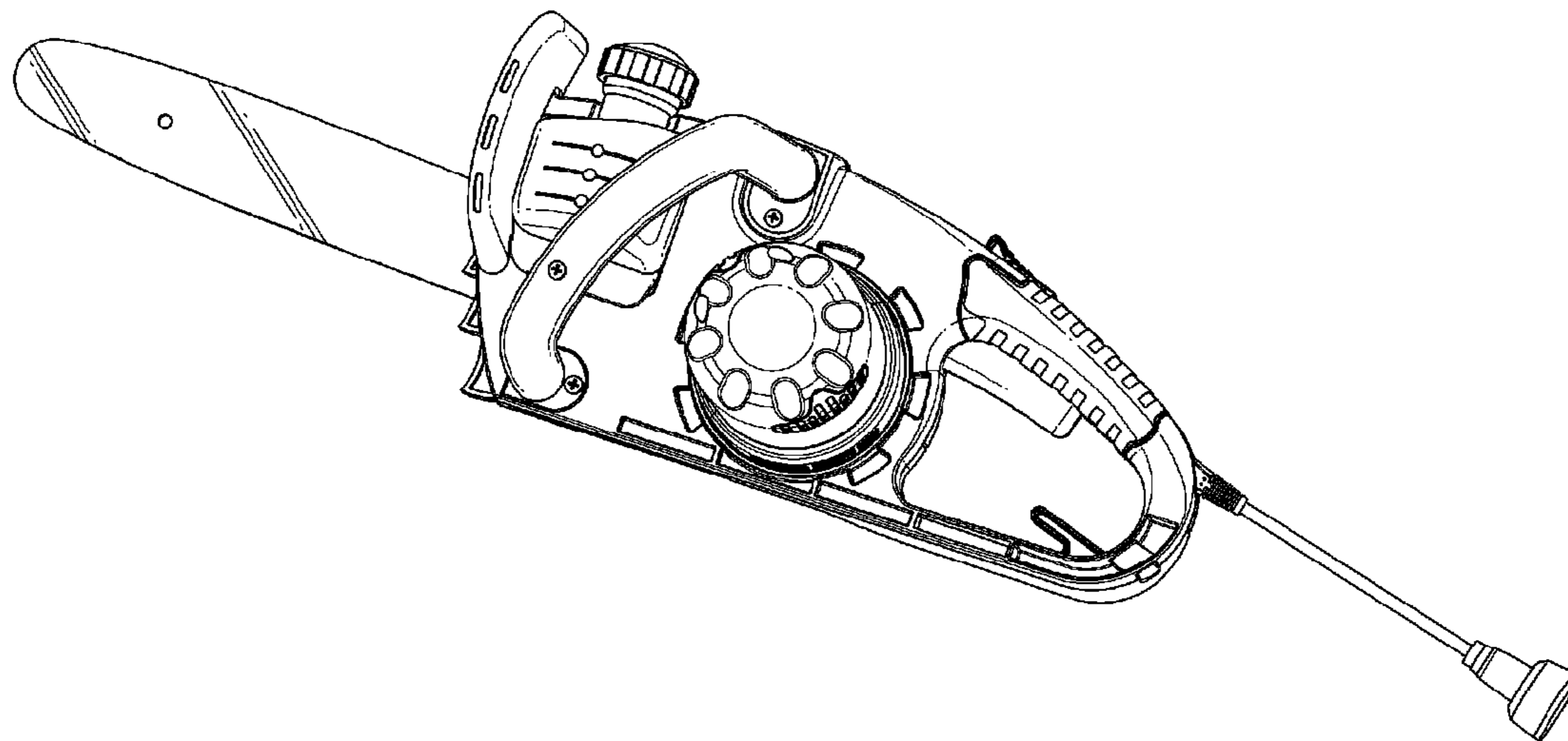
FIG. 5 is a front view thereof;

FIG. 6 is a back view thereof; and,

FIG. 7 is a top view thereof.

The broken lines shown in the drawings form no part of the claimed design.

**1 Claim, 7 Drawing Sheets**



# US D545,157 S

Page 2

---

## U.S. PATENT DOCUMENTS

5,655,304 A *	8/1997	Apfel et al. ....	30/383	6,575,285 B2	6/2003	Jong	
5,666,733 A *	9/1997	Nitschmann .....	30/387	D481,601 S *	11/2003	Ashfield .....	D8/65
D408,247 S *	4/1999	Juratovac et al. ....	D8/65	6,694,623 B1	2/2004	Haughey	
D408,700 S *	4/1999	Juratovac et al. ....	D8/65	6,796,113 B2	9/2004	Moore	
6,192,840 B1	2/2001	Durr et al.		2002/0073551 A1 *	6/2002	Goodwin .....	30/123.4
D445,657 S *	7/2001	Jong .....	D8/65	2002/0124421 A1 *	9/2002	Hermes et al. ....	30/386
6,256,890 B1	7/2001	Schliemann et al.		2002/0184868 A1	12/2002	Moore	
6,370,854 B1	4/2002	Moore		2003/0088987 A1	5/2003	Jong	
6,435,732 B1	8/2002	Asao et al.		2003/0167642 A1 *	9/2003	Chen .....	30/387
6,560,879 B2	5/2003	Franke et al.					

\* cited by examiner

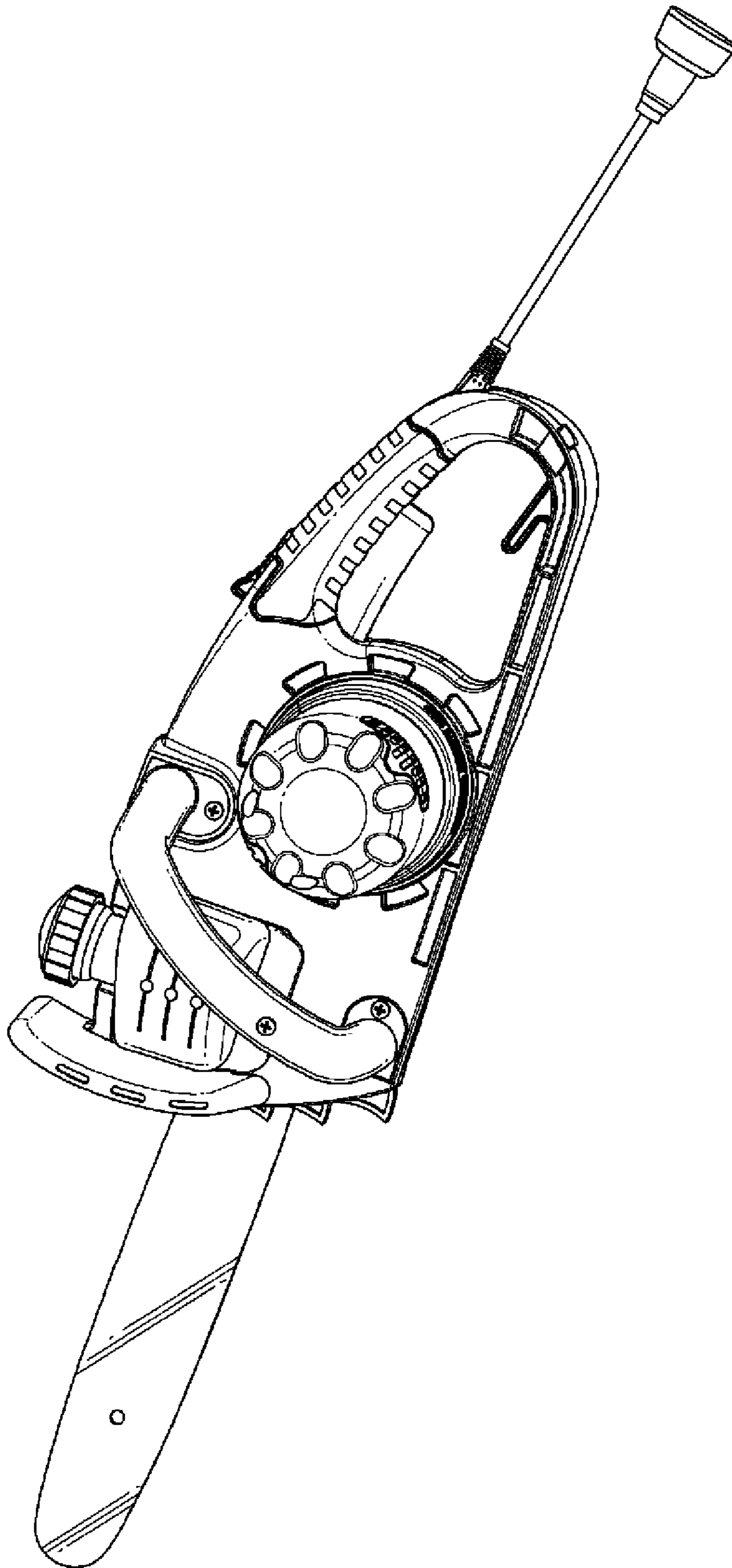


FIG. 1

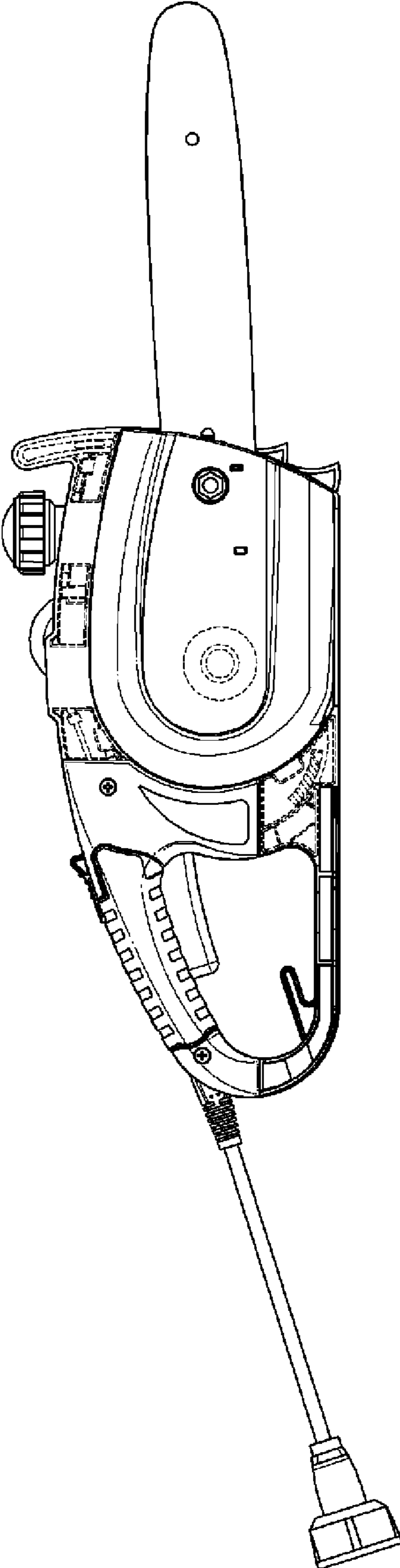


FIG. 2

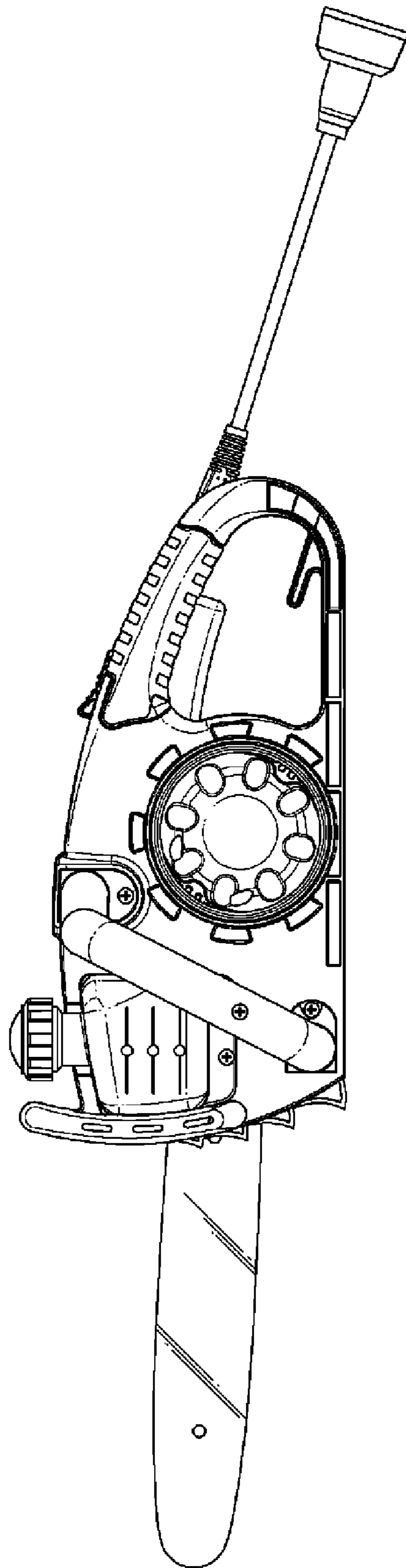


FIG. 3

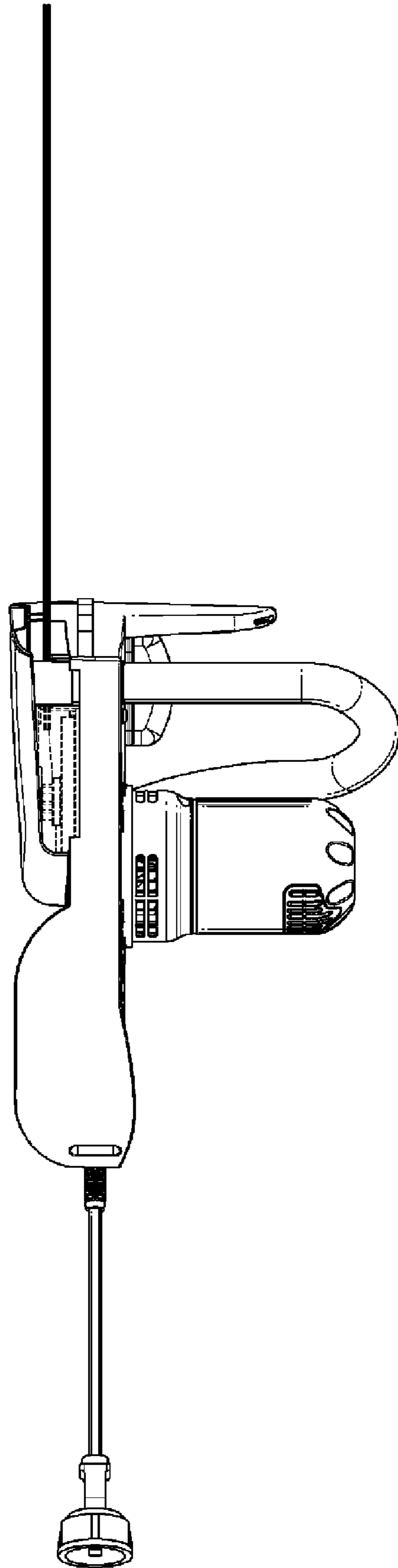


FIG. 4



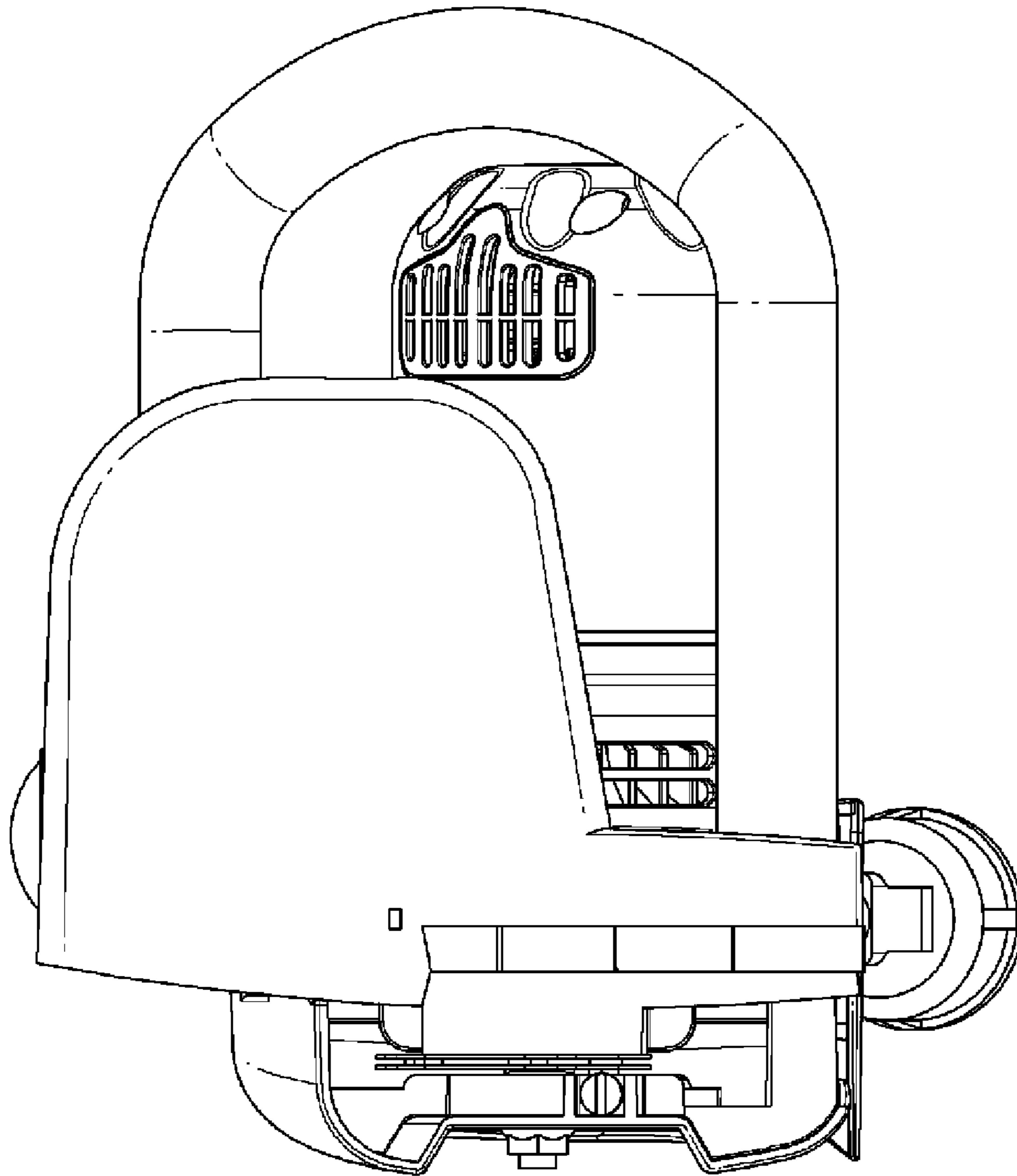


FIG. 5

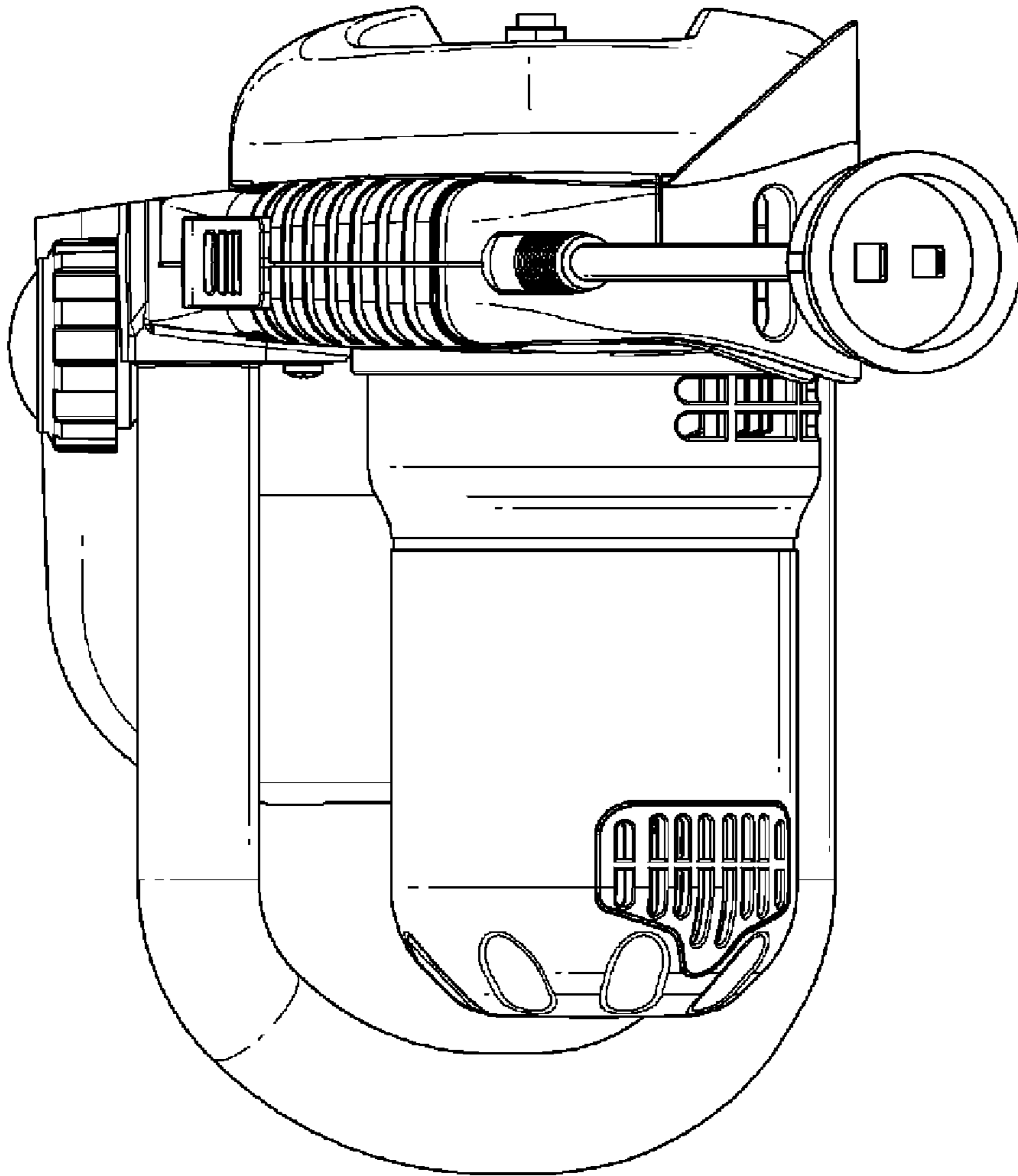


FIG. 6



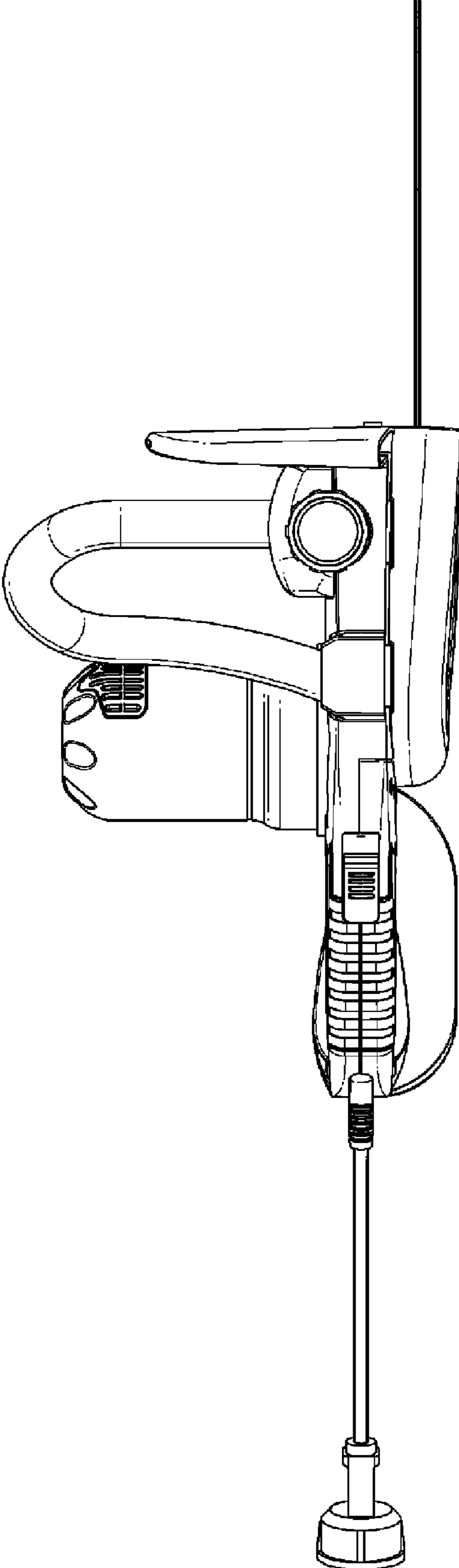


FIG. 7