

US00D545156S

(12) **United States Design Patent**
Waldron

(10) **Patent No.:** **US D545,156 S**
(45) **Date of Patent:** **** Jun. 26, 2007**

(54) **GRINDER POWER TOOL**

(75) Inventor: **Michael Waldron**, Pocklington (GB)

(73) Assignee: **GMCA Pty Ltd.** (AU)

(**) Term: **14 Years**

(21) Appl. No.: **29/251,702**

(22) Filed: **Jan. 11, 2006**

(30) **Foreign Application Priority Data**

Dec. 2, 2005 (EM) 000445317

(51) **LOC (8) Cl.** **08-01**

(52) **U.S. Cl.** **D8/62**

(58) **Field of Classification Search** D8/69,
D8/67, 62, 61; 173/168; 451/294, 344,
451/351, 359, 358, 357, 356, 354, 353, 451;
30/500

See application file for complete search history.

(56) **References Cited**

U.S. PATENT DOCUMENTS

| | | | | |
|----------------|---------|-----------------|-------|---------|
| D255,417 S * | 6/1980 | Sakamoto et al. | | D8/62 |
| D297,907 S * | 10/1988 | Hoshimo et al. | | D8/62 |
| 5,201,146 A * | 4/1993 | Fushiya | | 451/358 |
| 6,132,301 A * | 10/2000 | Kaiser | | 451/450 |
| D434,296 S * | 11/2000 | Ogasawara | | D8/62 |
| 6,241,594 B1 * | 6/2001 | Lepold | | 451/359 |
| D453,288 S * | 2/2002 | Lui | | D8/62 |
| D475,263 S * | 6/2003 | Andriolo | | D8/62 |
| D479,679 S * | 9/2003 | Wright | | D8/62 |

| | | | | |
|--------------|---------|--------------|-------|-------|
| D494,827 S * | 8/2004 | Liu | | D8/62 |
| D498,653 S * | 11/2004 | Wu | | D8/62 |
| D521,833 S * | 5/2006 | Okuda et al. | | D8/62 |
| D522,334 S * | 6/2006 | Waldron | | D8/62 |
| D522,827 S * | 6/2006 | Corcoran | | D8/62 |
| D523,308 S * | 6/2006 | Corcoran | | D8/62 |
| D524,129 S * | 7/2006 | Waldron | | D8/62 |

* cited by examiner

Primary Examiner—Cathron C. Brooks

Assistant Examiner—Austin Murphy

(74) *Attorney, Agent, or Firm*—Woodard, Emhardt, Moriarty, McNett & Henry LLP

(57) **CLAIM**

The ornamental design for a grinder power tool, as shown and described.

DESCRIPTION

FIG. 1 is a rear perspective view of the left side of the grinder power tool incorporating my new design.

FIG. 2 is a front perspective view of the right side of the tool of FIG. 1.

FIG. 3 is a left side view of the tool of FIG. 1.

FIG. 4 is a bottom view of the tool of FIG. 1.

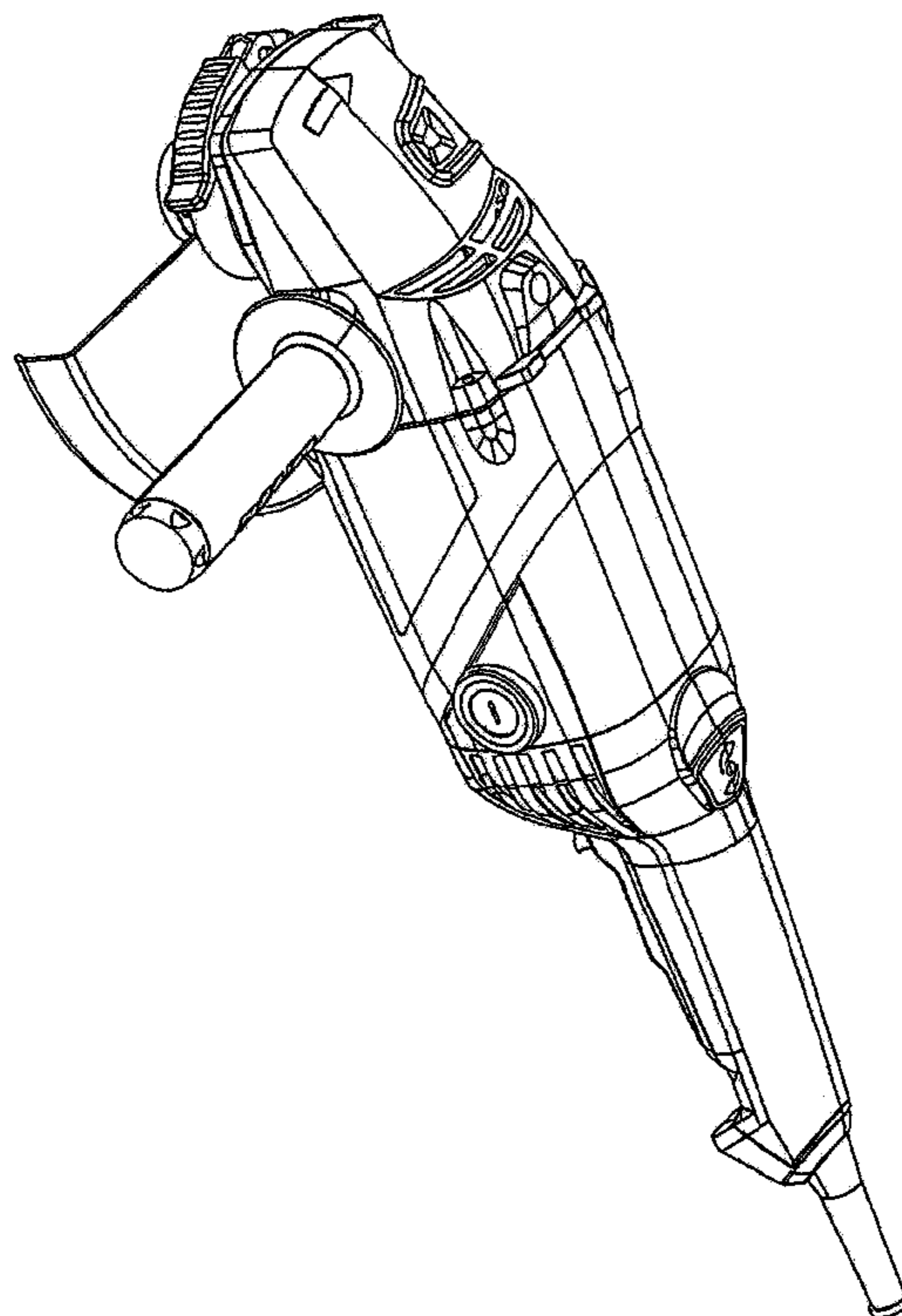
FIG. 5 is a top view of the tool of FIG. 1.

FIG. 6 is a front view of the tool of FIG. 1.

FIG. 7 is a rear view of the tool of FIG. 1; and,

FIG. 8 is a right side view of the tool of FIG. 1.

1 Claim, 8 Drawing Sheets



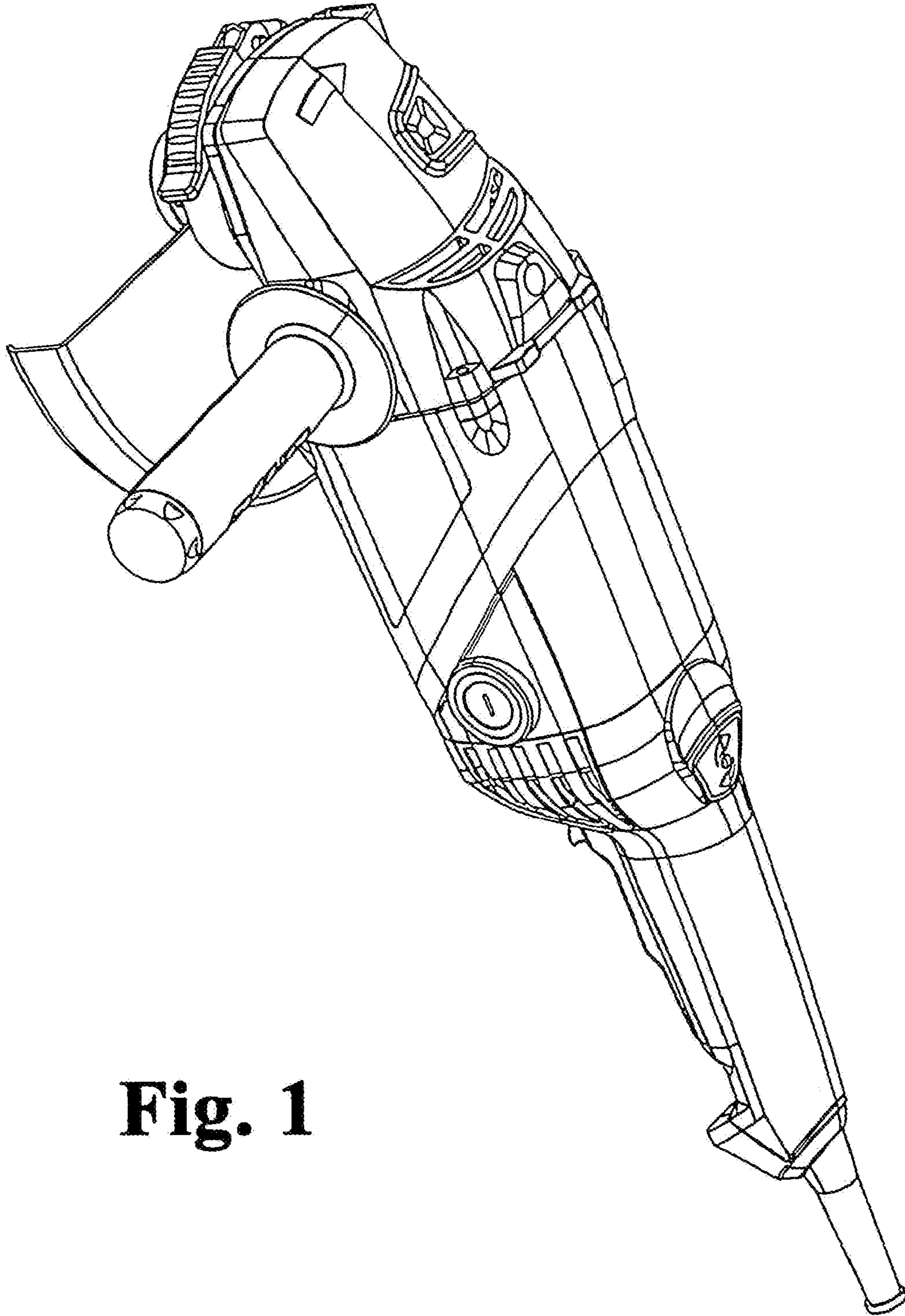


Fig. 1

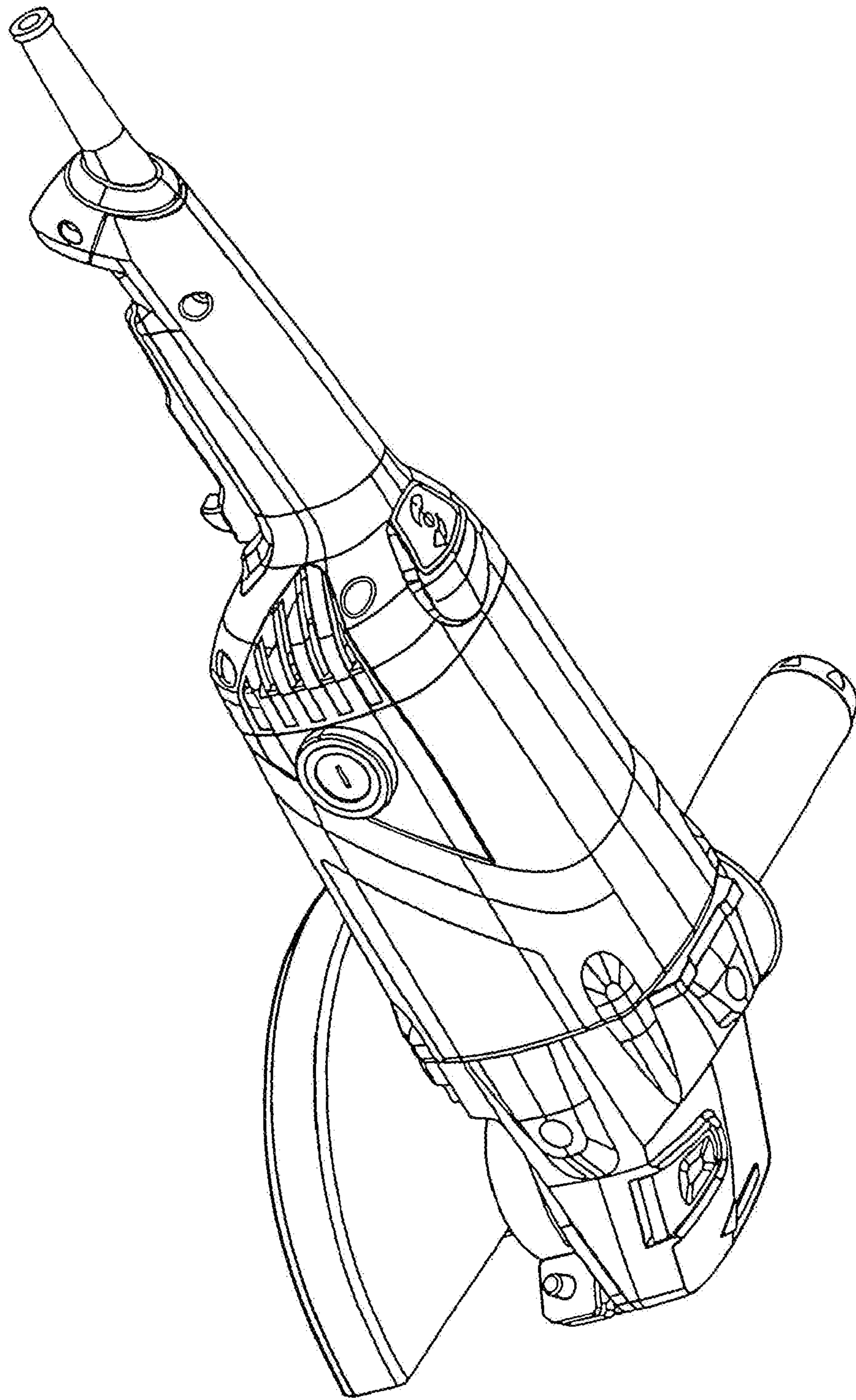


Fig. 2

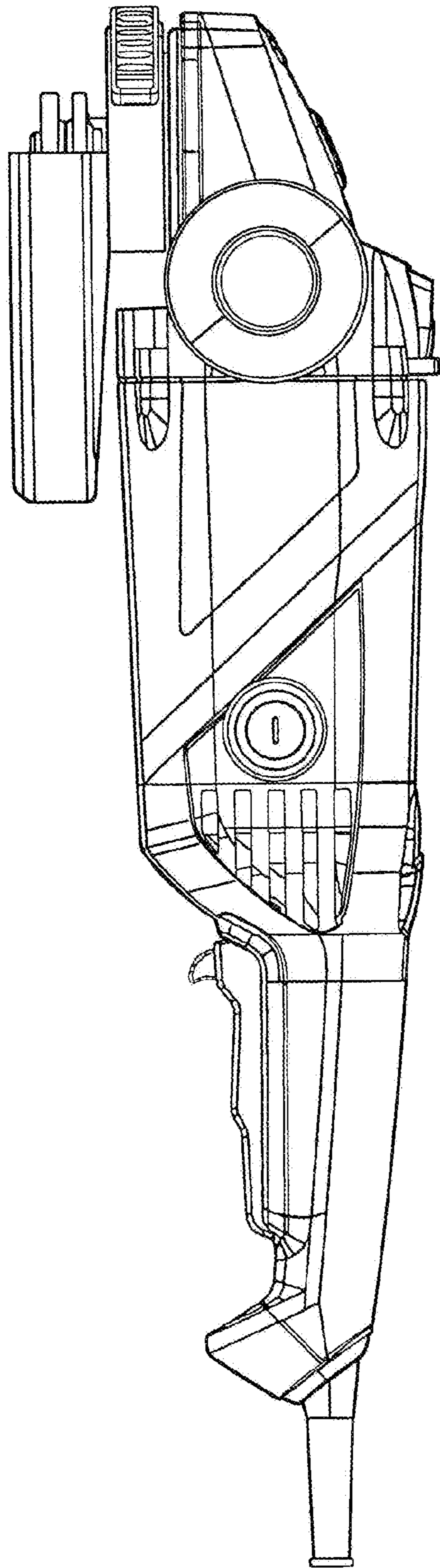


Fig. 3

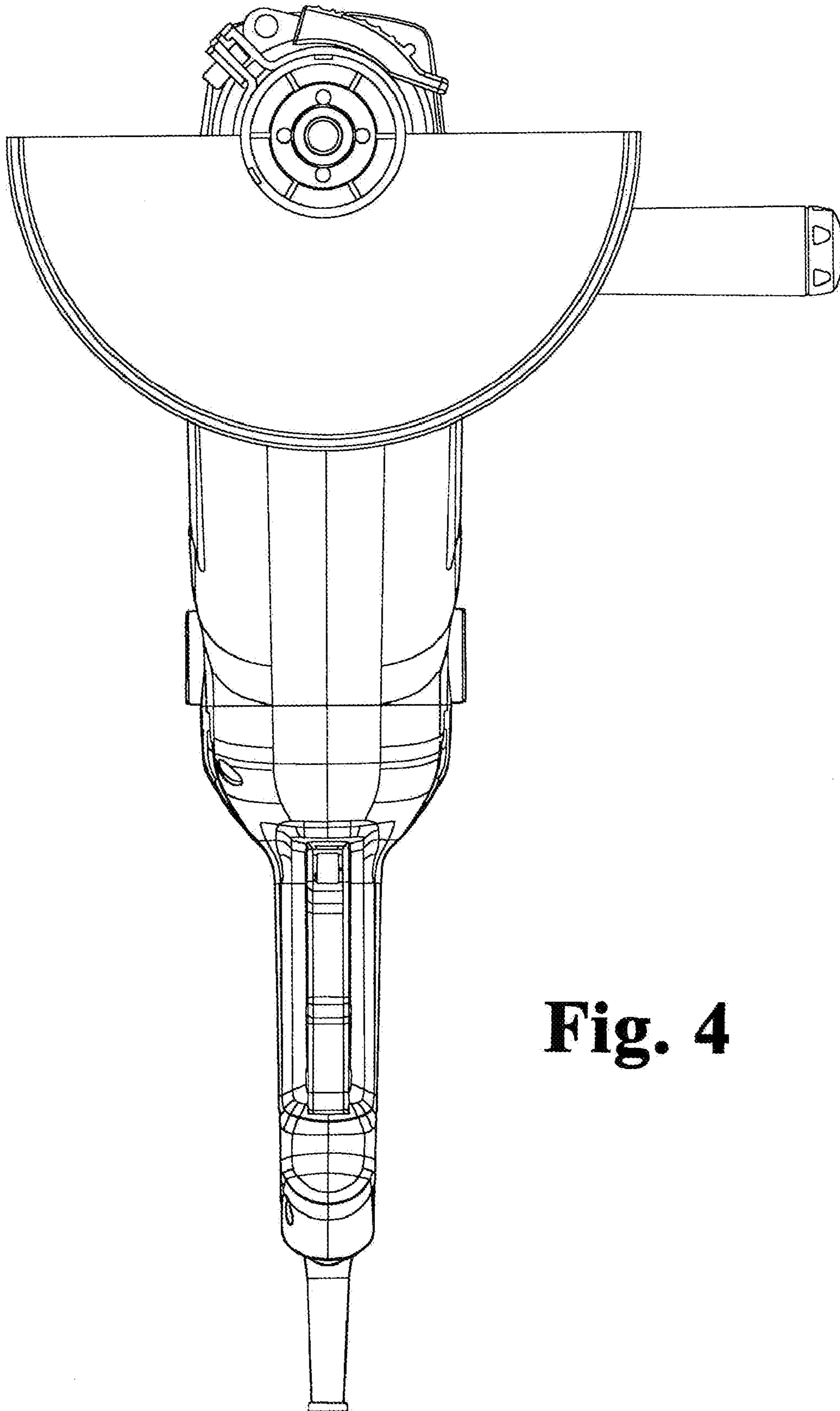


Fig. 4

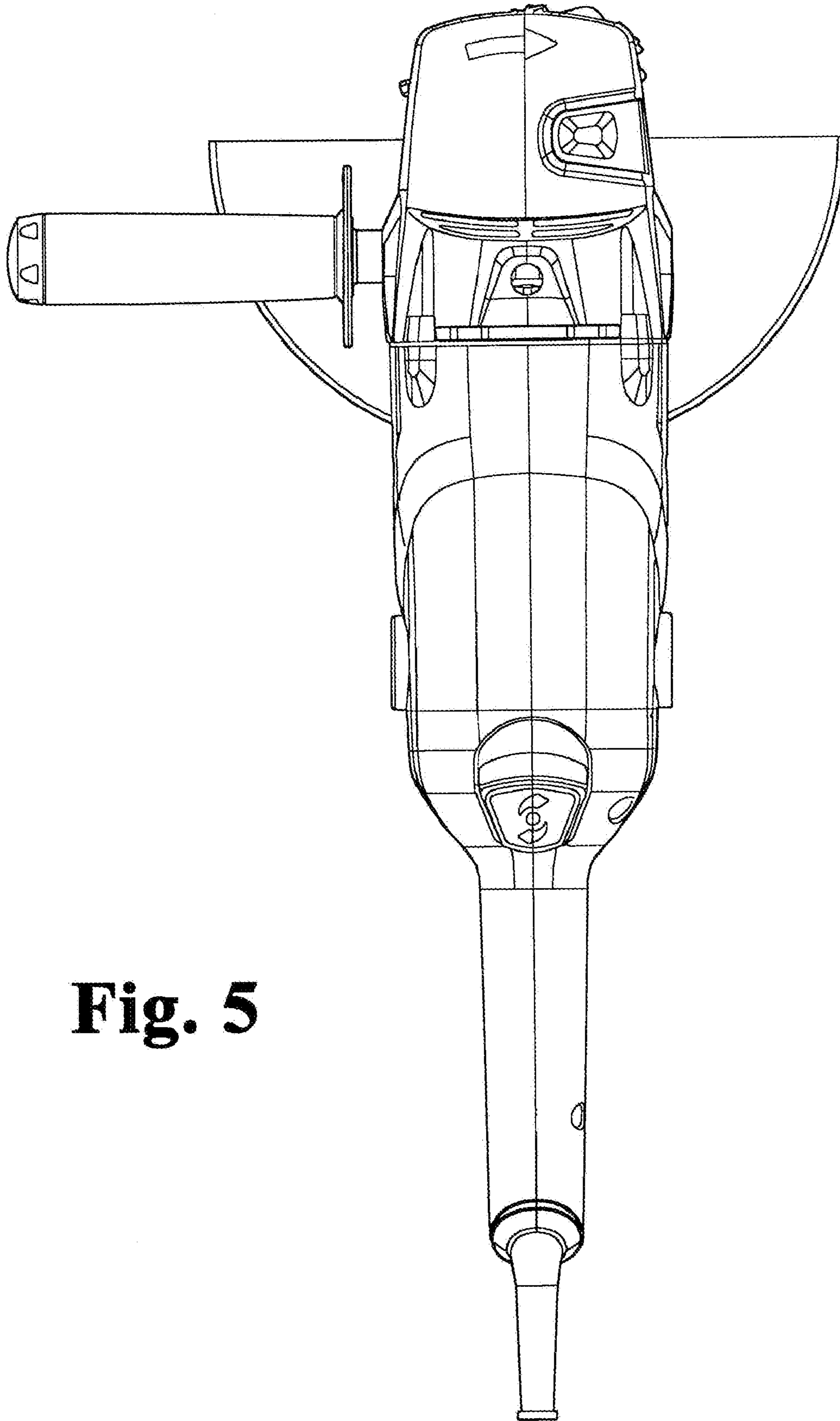


Fig. 5

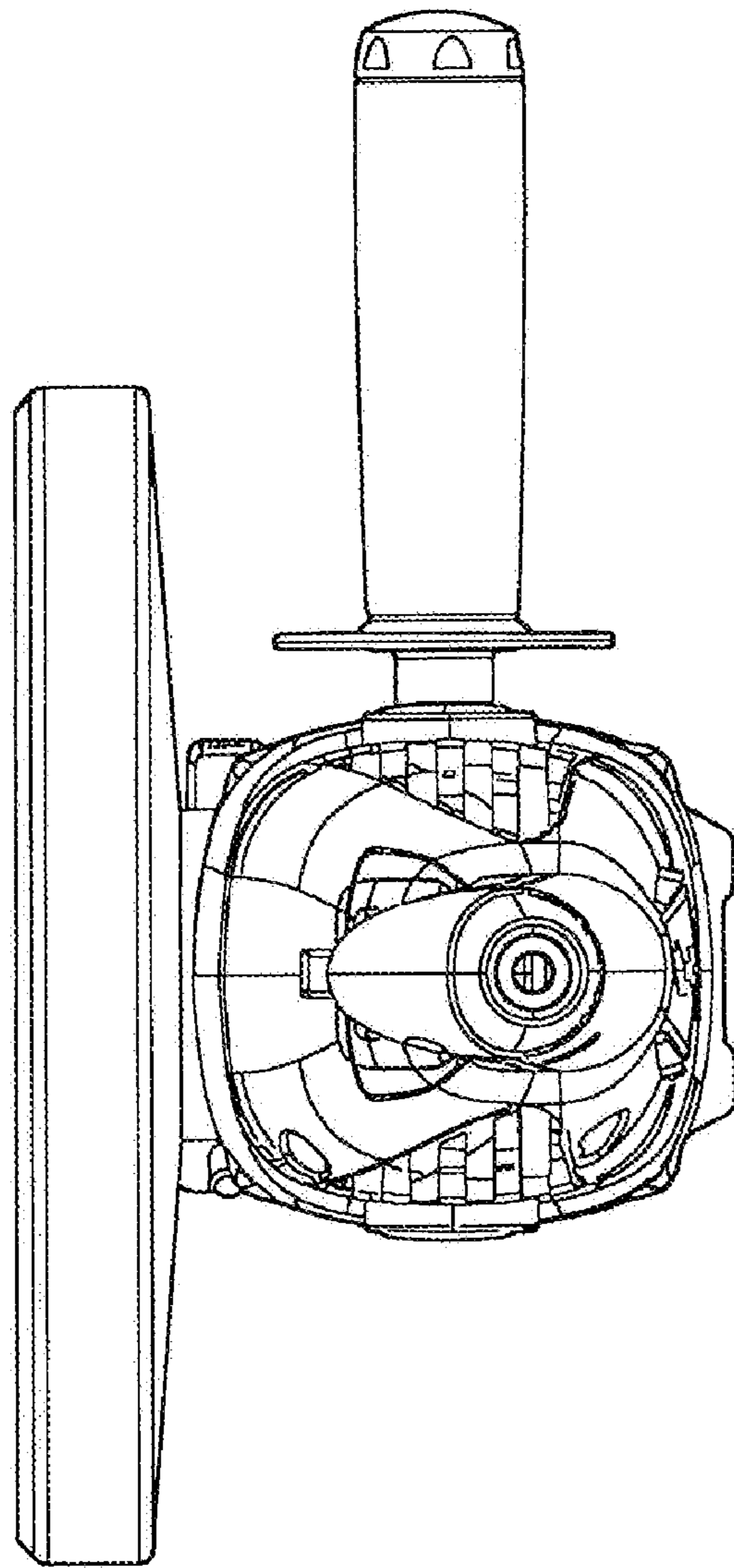


Fig. 6

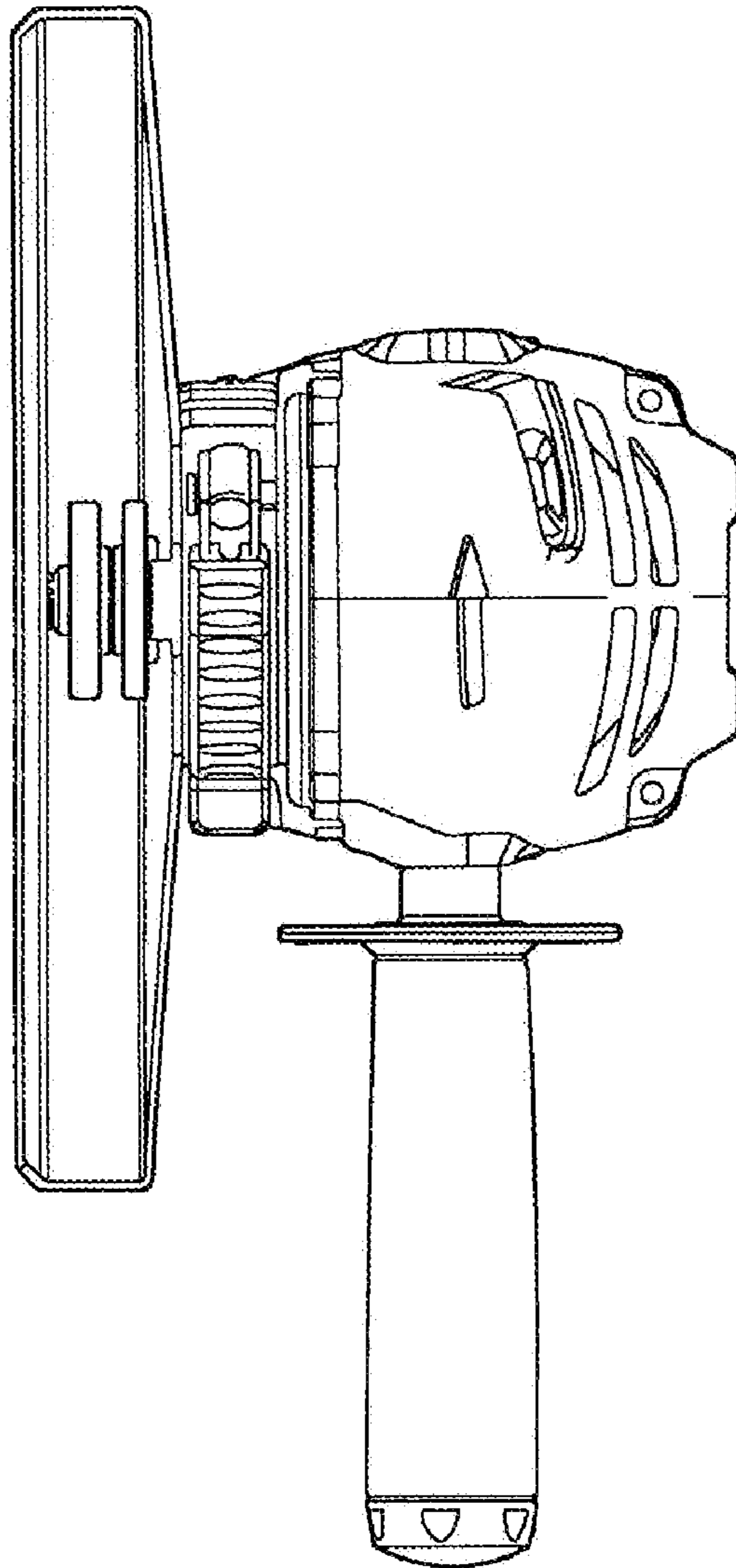


Fig. 7

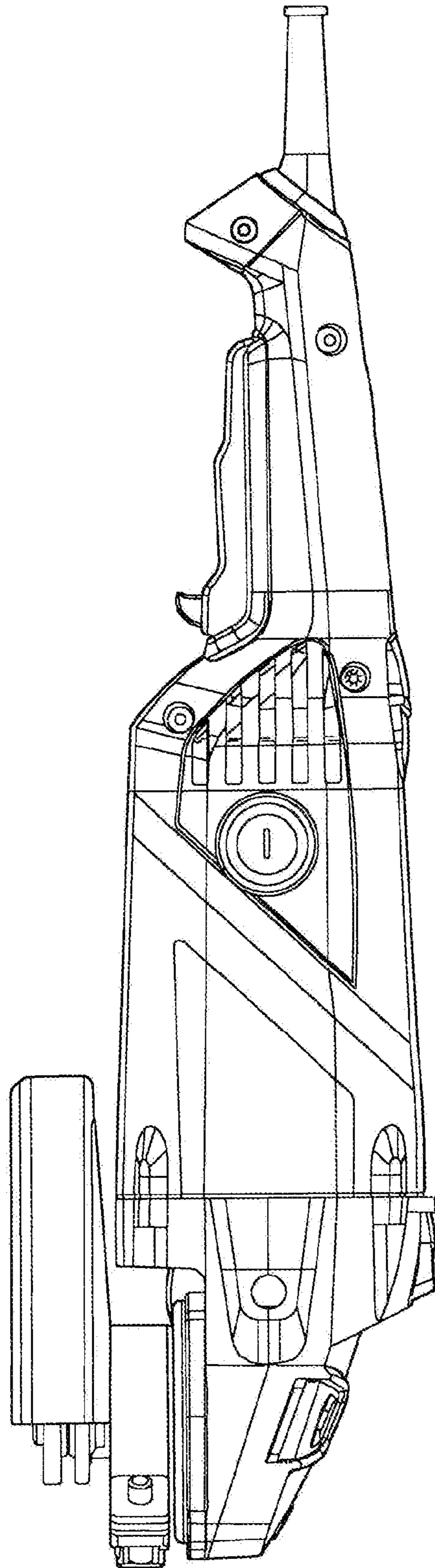


Fig. 8