



US00D545152S

(12) **United States Design Patent**
Lopano et al.

(10) **Patent No.:** **US D545,152 S**
(45) **Date of Patent:** **** Jun. 26, 2007**

(54) **CAULK GUN**

(75) Inventors: **Daniel N. Lopano**, Towson, MD (US);
Gabriel E. Concari, Eldersburg, MD (US)

(73) Assignee: **Black & Decker Inc.**, Newark, DE (US)

(**) Term: **14 Years**

(21) Appl. No.: **29/252,141**

(22) Filed: **Jan. 18, 2006**

(51) **LOC (8) Cl.** **08-05**

(52) **U.S. Cl.** **D8/14.1**

(58) **Field of Classification Search** D8/14,
D8/14.1, 29.1, 51, 61, 68; 222/333, 325,
222/326, 327, 330, 390

See application file for complete search history.

(56) **References Cited**

U.S. PATENT DOCUMENTS

3,987,939 A *	10/1976	Pedone et al.	222/325
4,615,469 A	10/1986	Kishi et al.	
D290,681 S	7/1987	Pudwill	
D328,555 S	8/1992	Keller	
D348,811 S *	7/1994	Albers	D8/14.1
D361,247 S	8/1995	Snetting et al.	
5,450,988 A *	9/1995	Jerdee	222/333
5,556,009 A *	9/1996	Motzko	222/326
D378,338 S *	3/1997	Acciville et al.	D8/14.1
D382,456 S *	8/1997	Granville, Jr.	D8/14.1
5,762,239 A	6/1998	Cossette	
6,152,333 A *	11/2000	Binder	222/333
6,241,130 B1 *	6/2001	Heiberger	222/325
6,311,871 B1 *	11/2001	Binder	222/145.6
6,321,945 B1	11/2001	Girouard et al.	
D463,962 S	10/2002	Gollaway	
6,488,180 B1	12/2002	Bayat	
D493,344 S	7/2004	Watson	

D499,624 S	12/2004	Concari et al.	
D508,643 S	8/2005	Concari et al.	
7,063,240 B1 *	6/2006	Niswonger	222/333
2002/0108971 A1	8/2002	Lafond	

FOREIGN PATENT DOCUMENTS

DE	M 88 03 222	11/1988
DE	M 89 04 689	7/1989
DE	M 92 01 669	2/1992
DE	M 95 00 539	1/1995
DE	M 95 03 696	4/1995
DE	M 95 04 125	5/1995
DE	M 96 09 059	10/1996
DE	M 98 01 699	2/1998
WO	DM/015 445	12/1989
WO	DM/045 912	11/1998
WO	DM/059857	5/2002

* cited by examiner

Primary Examiner—Philip S. Hyder

(74) *Attorney, Agent, or Firm*—Mehul R. Jani; Adan Ayala; Charles Yocum

(57) **CLAIM**

The ornamental design for a caulk gun, as shown and described.

DESCRIPTION

FIG. 1 is a perspective view of a caulk gun showing the new design.

FIG. 2 is a front view thereof.

FIG. 3 is a rear view thereof.

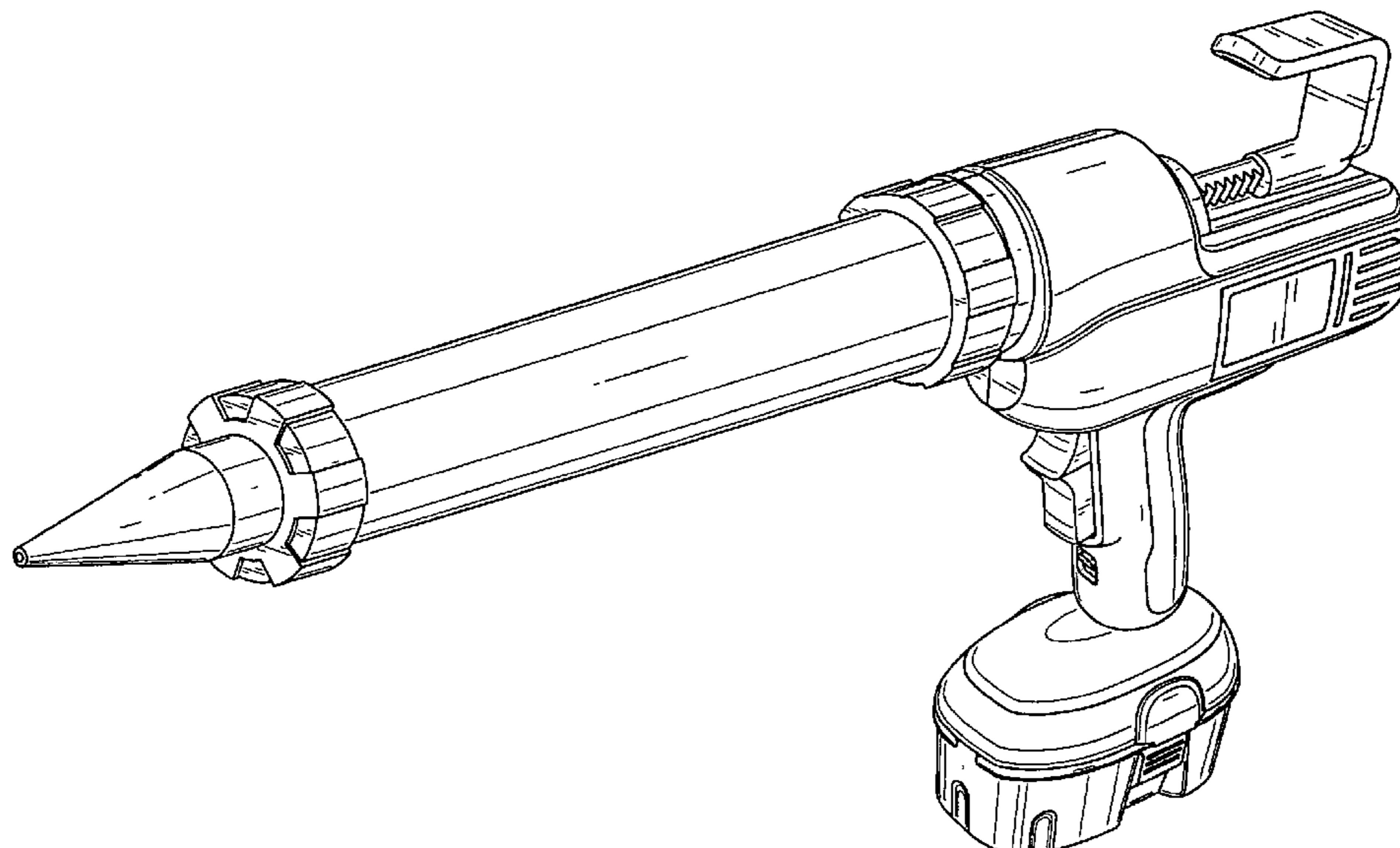
FIG. 4 is a right side view thereof.

FIG. 5 is a left side view thereof.

FIG. 6 is a top plan view thereof; and,

FIG. 7 is a bottom plan view thereof.

1 Claim, 5 Drawing Sheets



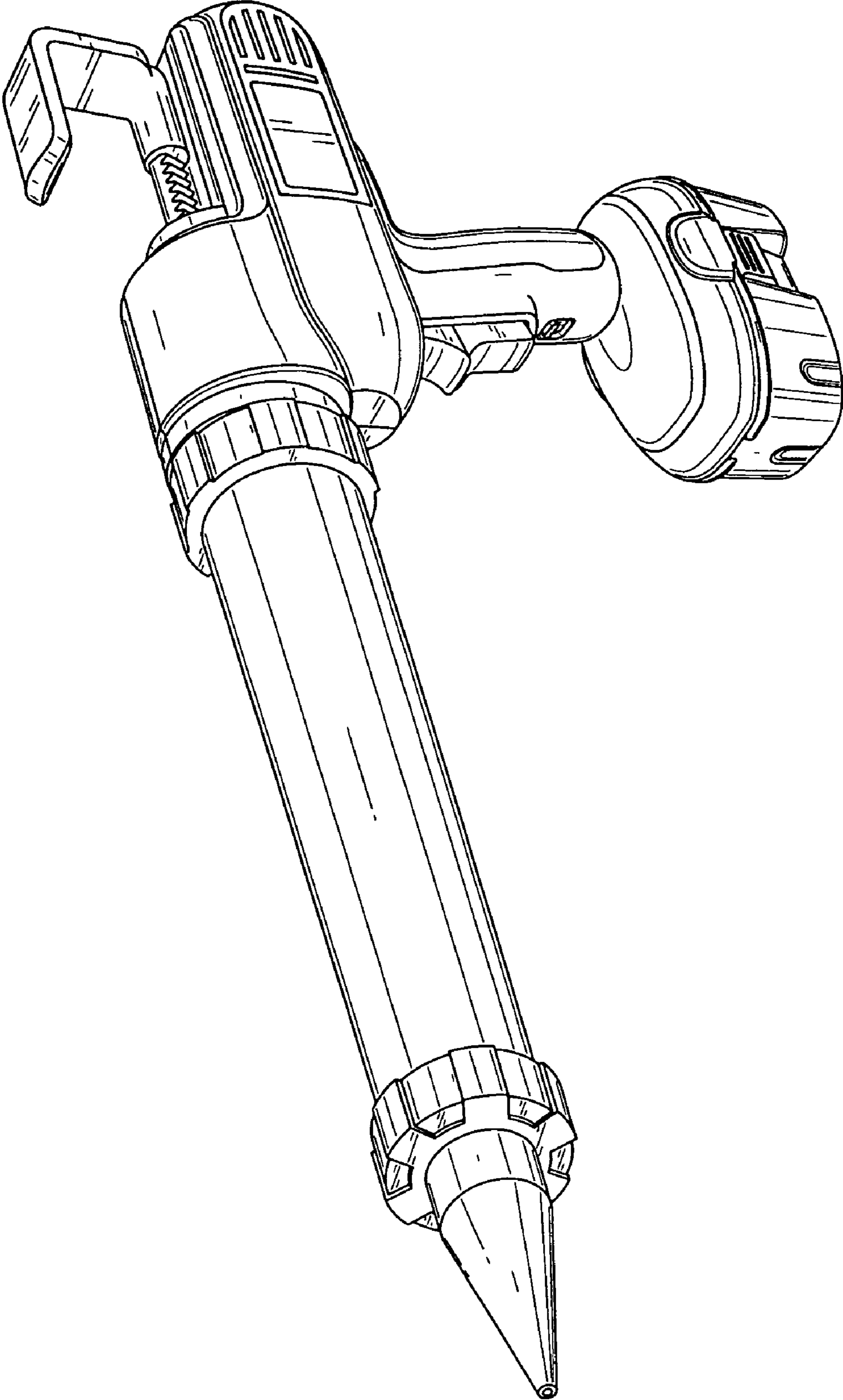


FIG. 1

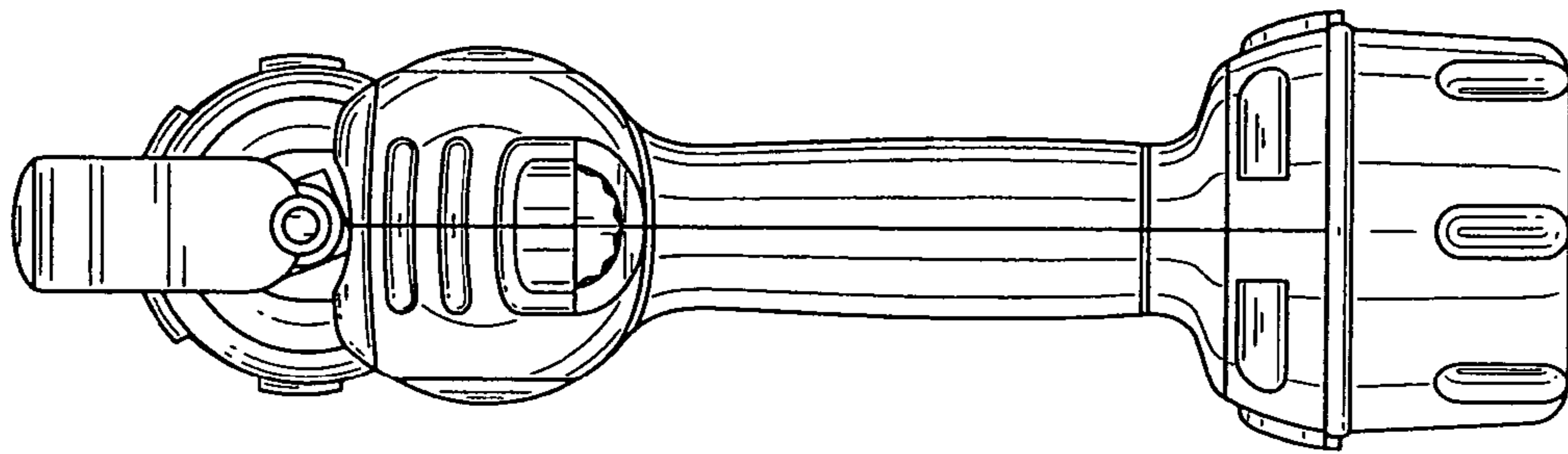


FIG. 3

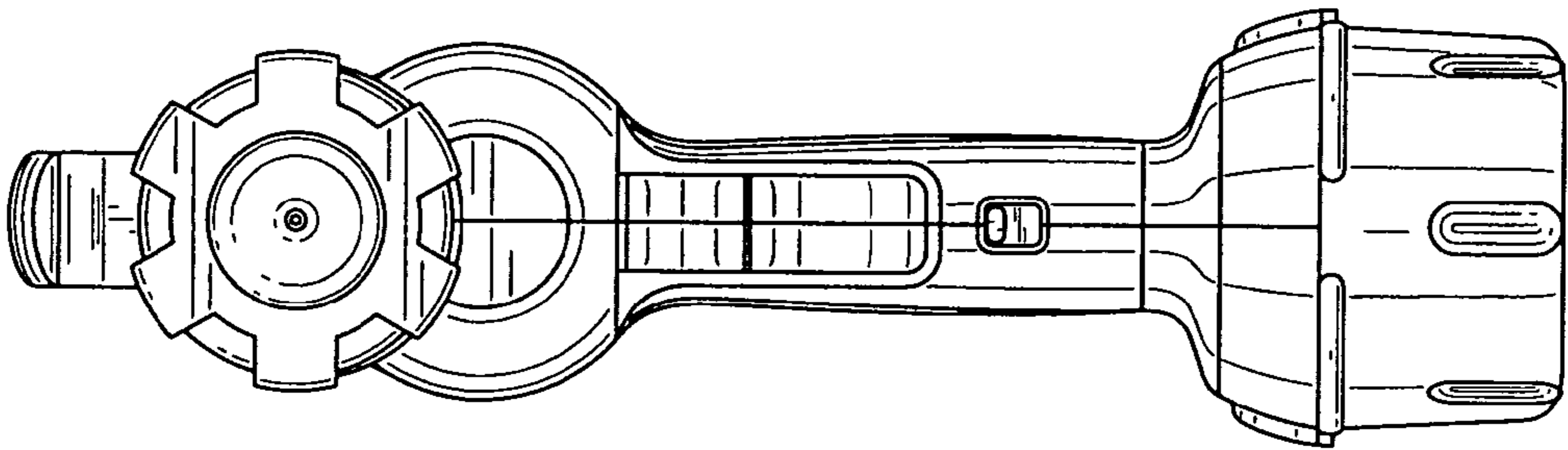


FIG. 2

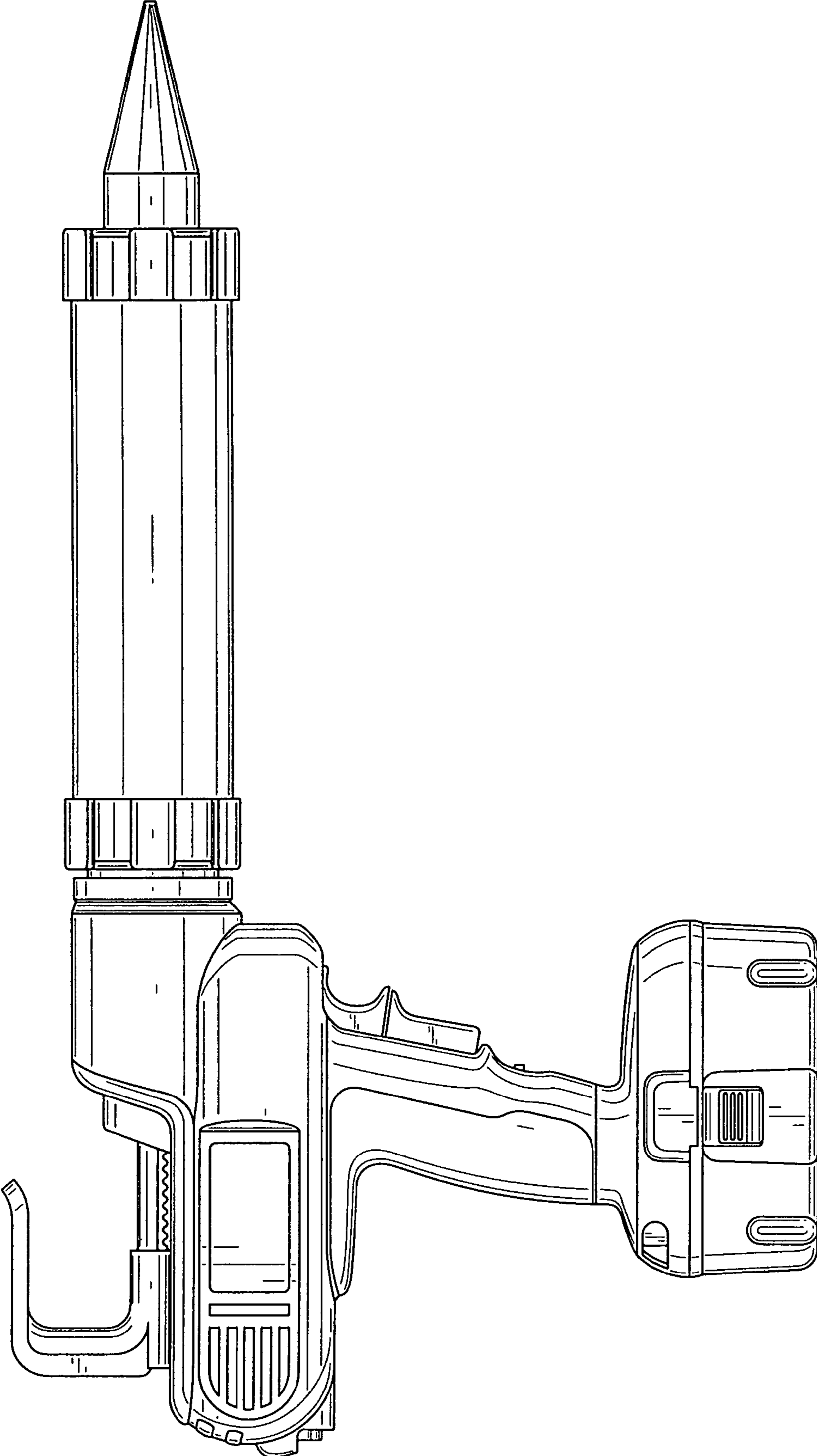


FIG. 4

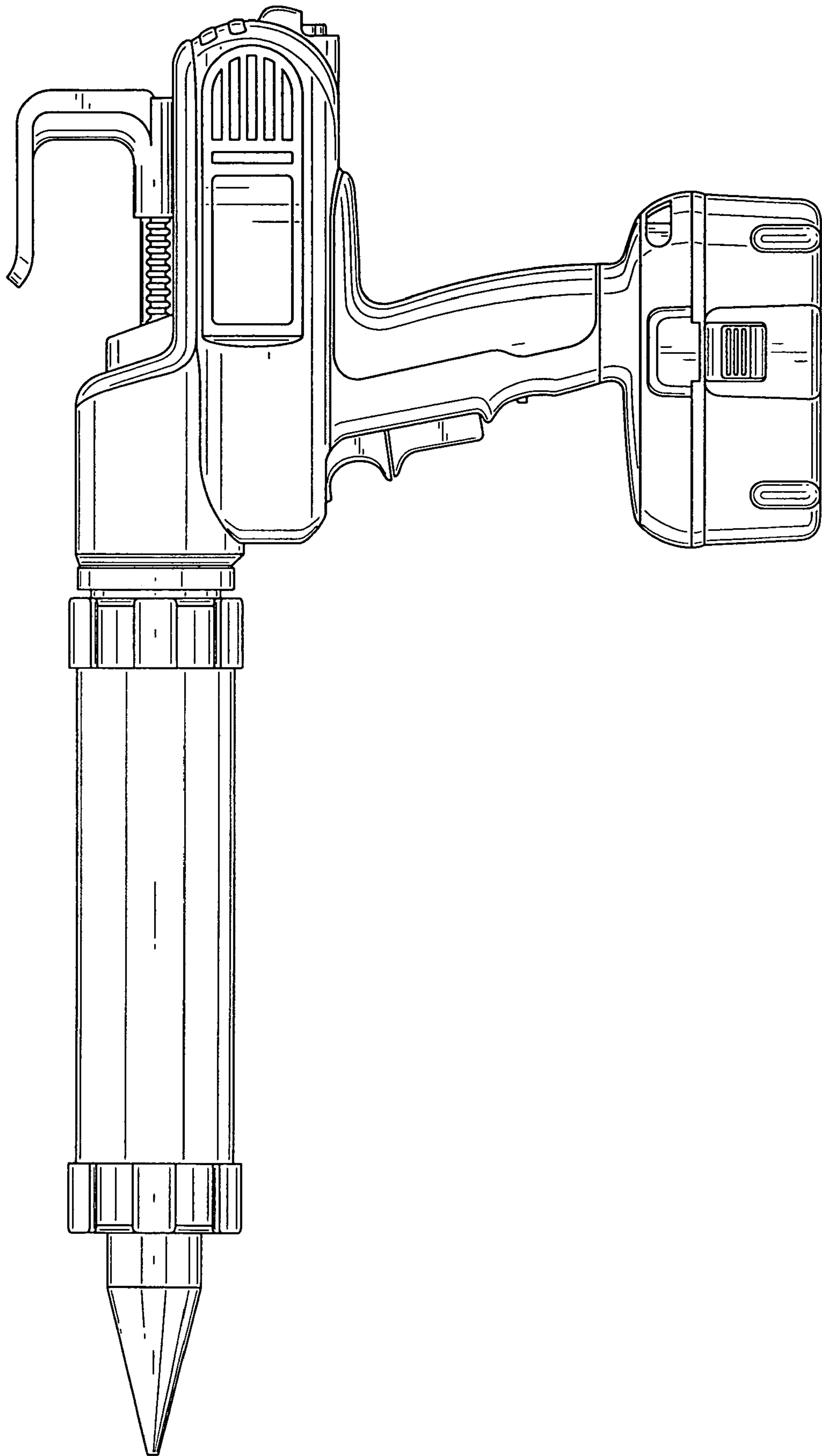


FIG. 5

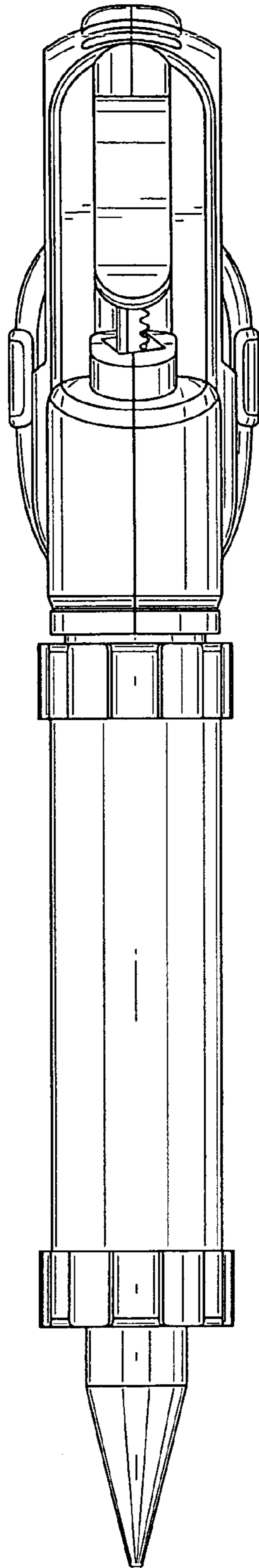


FIG. 6

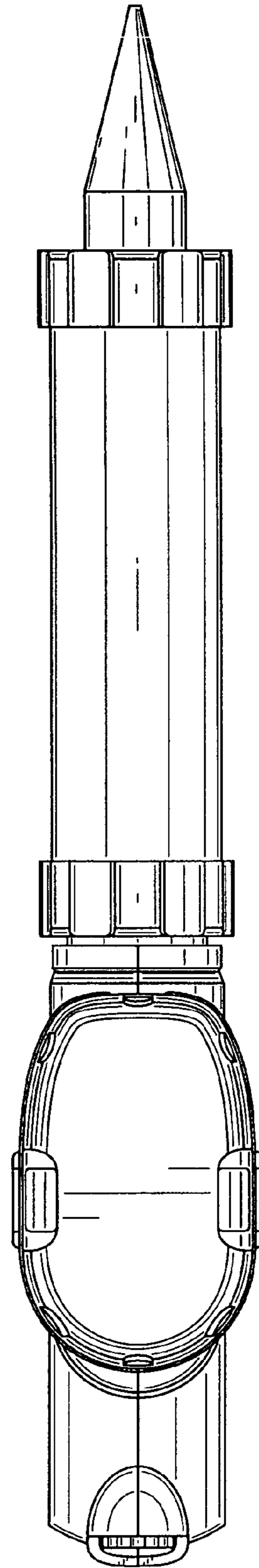


FIG. 7