

US00D545150S

(12) **United States Design Patent**
Volpe

(10) **Patent No.:** **US D545,150 S**
(45) **Date of Patent:** **** Jun. 26, 2007**

(54) **MULTI-USE COOKING TOOL**

(76) Inventor: **John Volpe**, 7029 Bentley Ave., Darien,
IL (US) 60561

(**) Term: **14 Years**

(21) Appl. No.: **29/261,537**

(22) Filed: **Jun. 15, 2006**

(51) **LOC (8) Cl.** **07-06**

(52) **U.S. Cl.** **D7/686**

(58) **Field of Classification Search** D7/686,
D7/642-645, 683, 687; 294/99.1, 99.2, 118,
294/119, 3, 7, 8, 8.5, 33; D8/4

See application file for complete search history.

(56) **References Cited**

U.S. PATENT DOCUMENTS

613,355 A	11/1898	Burton	
622,094 A	3/1899	Williams	
667,691 A	2/1901	Evenstad	
703,947 A	7/1902	Moyer	
910,810 A	1/1909	Hall	
1,013,122 A	1/1912	Brouyette	
1,260,302 A	3/1918	Barrows	
1,806,441 A	5/1931	Bauer et al.	
2,004,524 A	6/1935	Poeckler, Sr.	
2,346,537 A *	4/1944	Fernandez	294/99.2
D203,455 S	1/1966	Bruns	
3,981,527 A *	9/1976	Ciano	294/99.2
4,012,068 A	3/1977	Apodaca	
D255,089 S *	5/1980	Walker	D8/4
D256,655 S	9/1980	Lacey	
D256,875 S	9/1980	Slagle, IV	
D291,169 S	8/1987	Foulds	
D297,008 S	8/1988	Sofy	

D298,600 S	11/1988	Dallaire	
4,801,166 A	1/1989	Jordan et al.	
D299,996 S	2/1989	Tucker et al.	
D406,734 S	3/1999	Doherty et al.	
D435,201 S	12/2000	Wang	
D471,772 S	3/2003	Wang	
D473,111 S	4/2003	Kortleven et al.	
D487,003 S *	2/2004	de Groote	D7/686
2001/0033083 A1	10/2001	Kaposi	
2004/0026939 A1	2/2004	Jordan et al.	
2006/0091684 A1	5/2006	Frauscher	

OTHER PUBLICATIONS

Photos of commercially available T-FAL tongs.

* cited by examiner

Primary Examiner—Terry A. Wallace

(74) *Attorney, Agent, or Firm*—The Law Office of Randall
T. Erickson, P.C.

(57) **CLAIM**

The ornamental design for a multi-use cooking tool, as
shown.

DESCRIPTION

FIG. 1 is a top perspective view of the multi-use cooking
tool showing my new design.

FIG. 2 is a front view thereof.

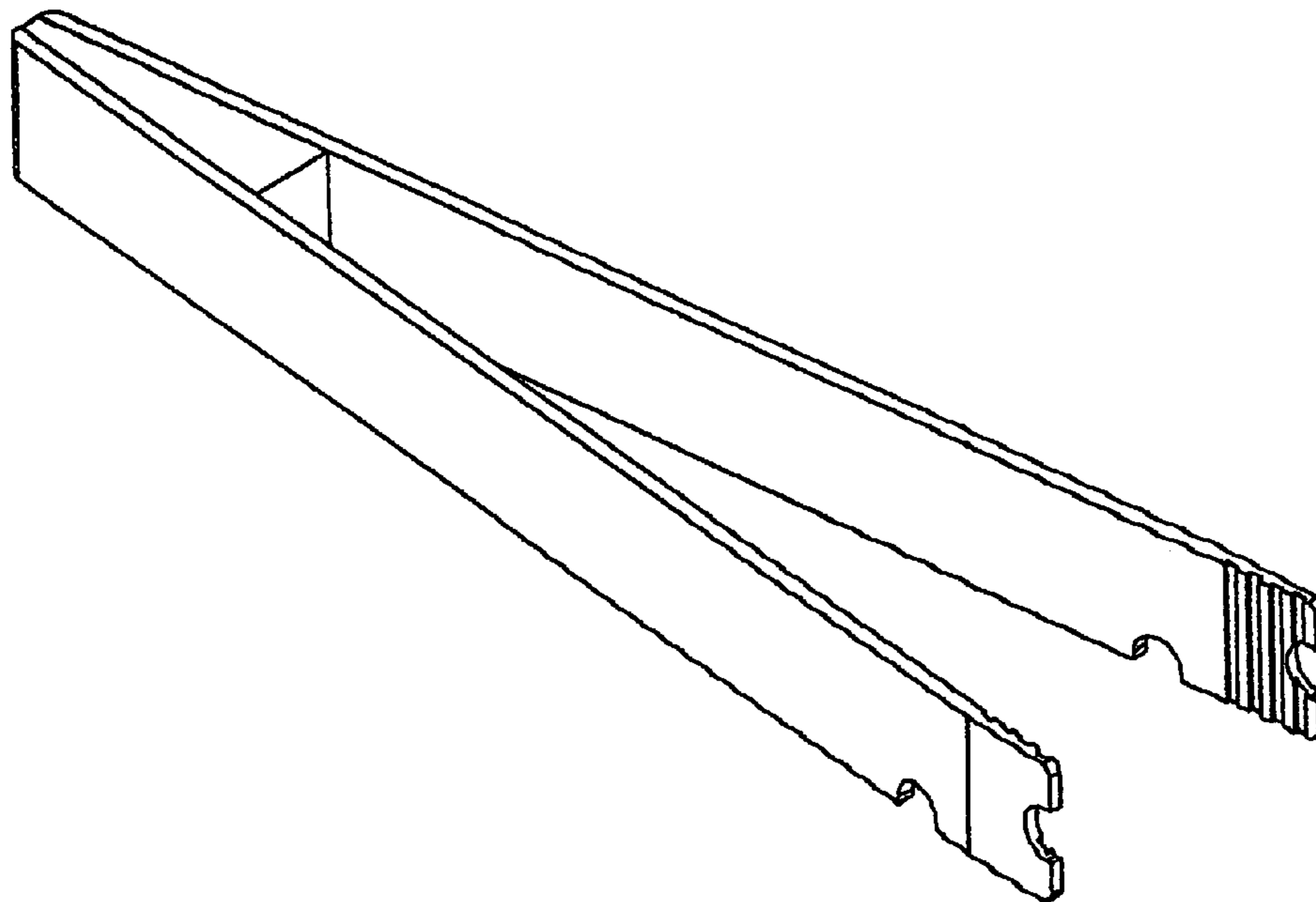
FIG. 3 is a left side view thereof.

FIG. 4 is a right side view thereof.

FIG. 5 is a top plan view thereof; and,

FIG. 6 is a bottom plan view thereof.

1 Claim, 5 Drawing Sheets



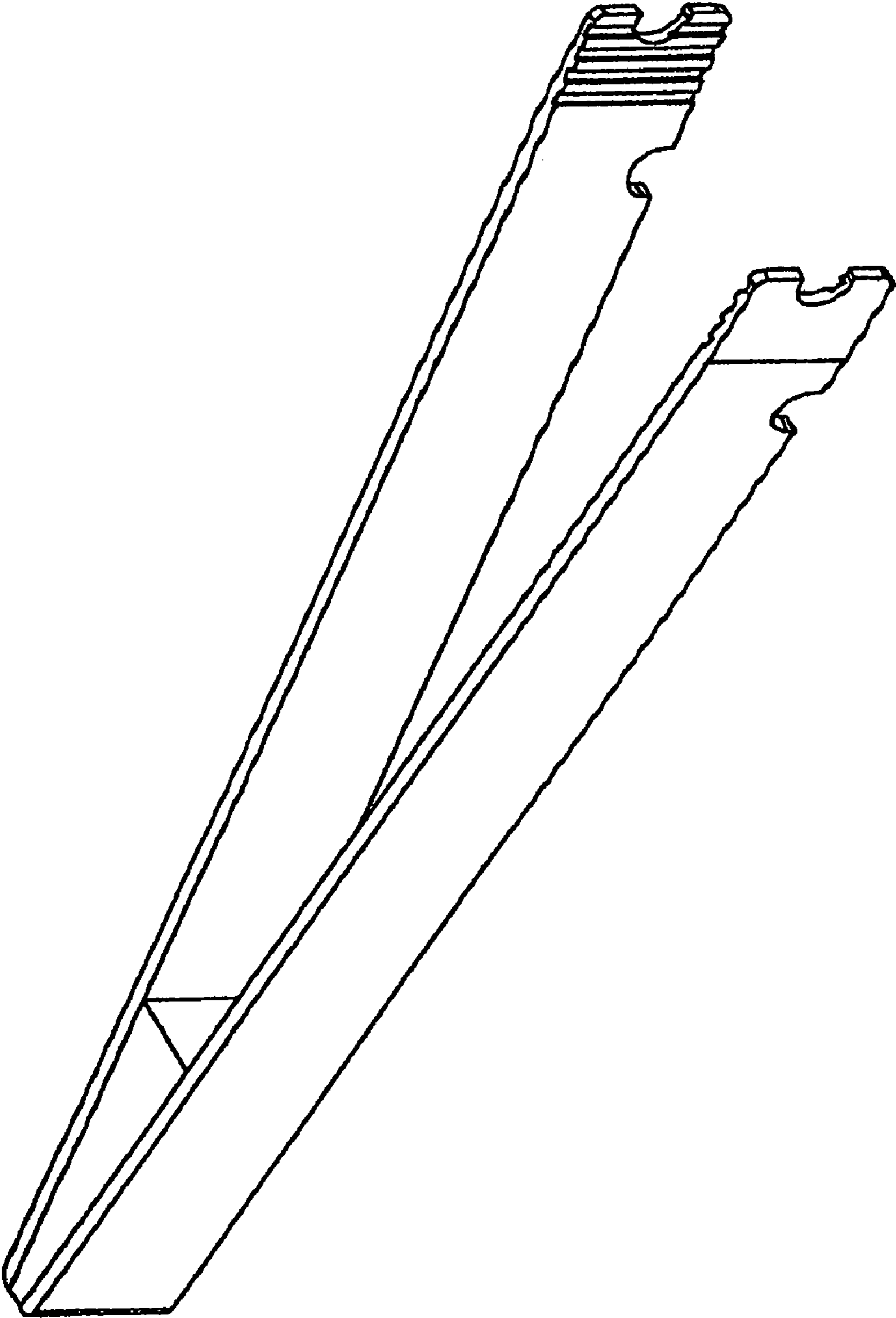


Fig. 1

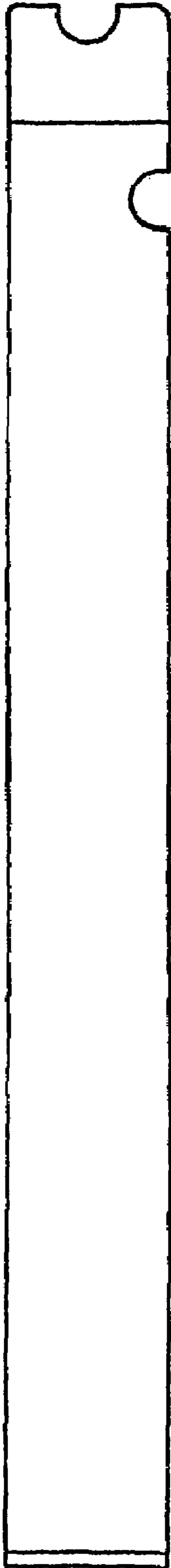


Fig. 2

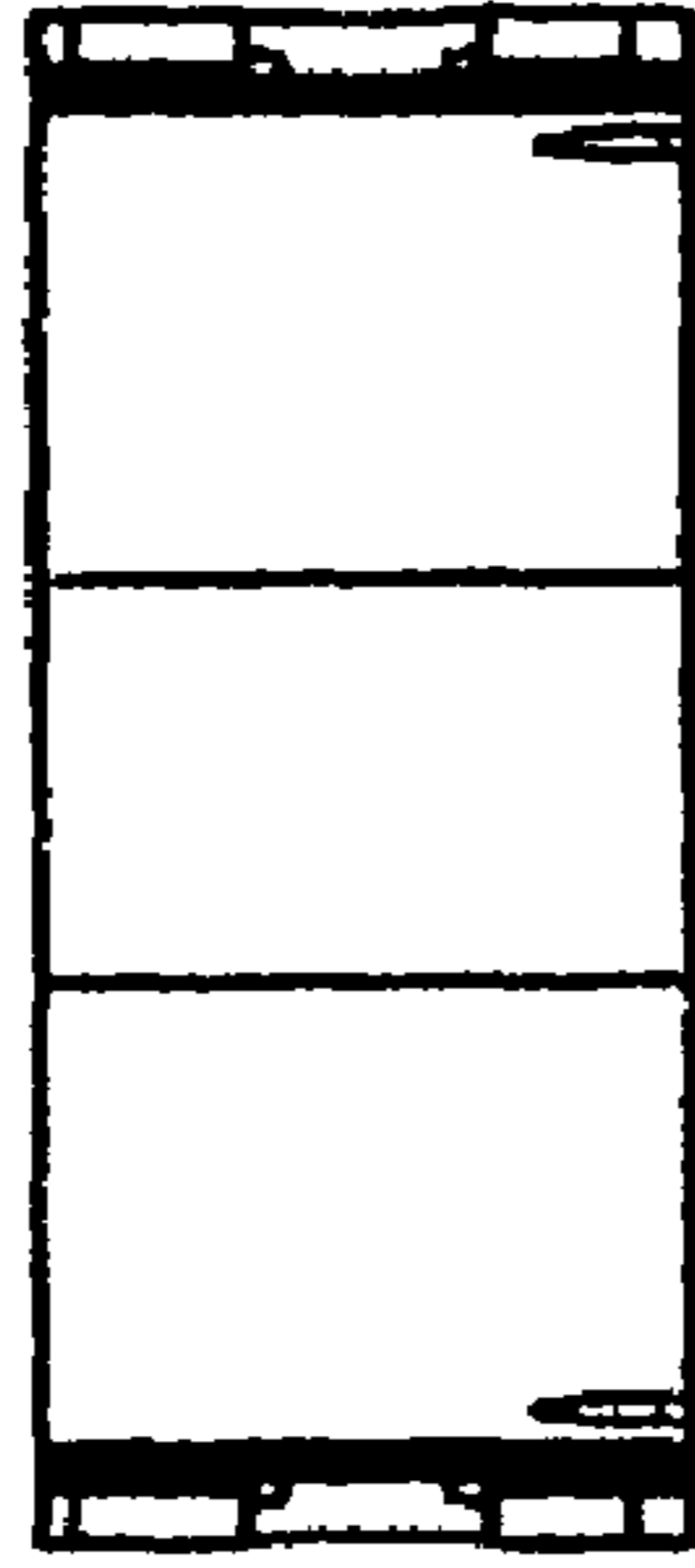


Fig. 4

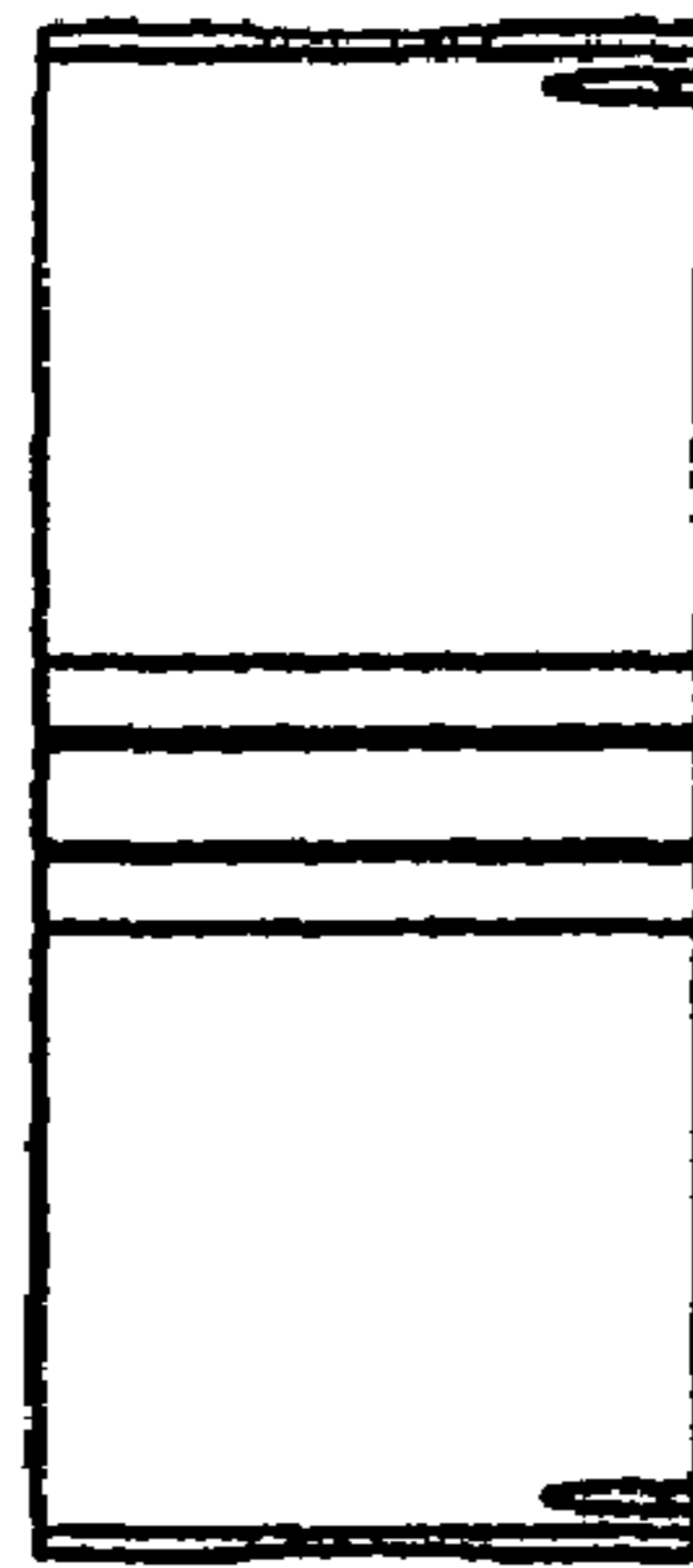


Fig. 3

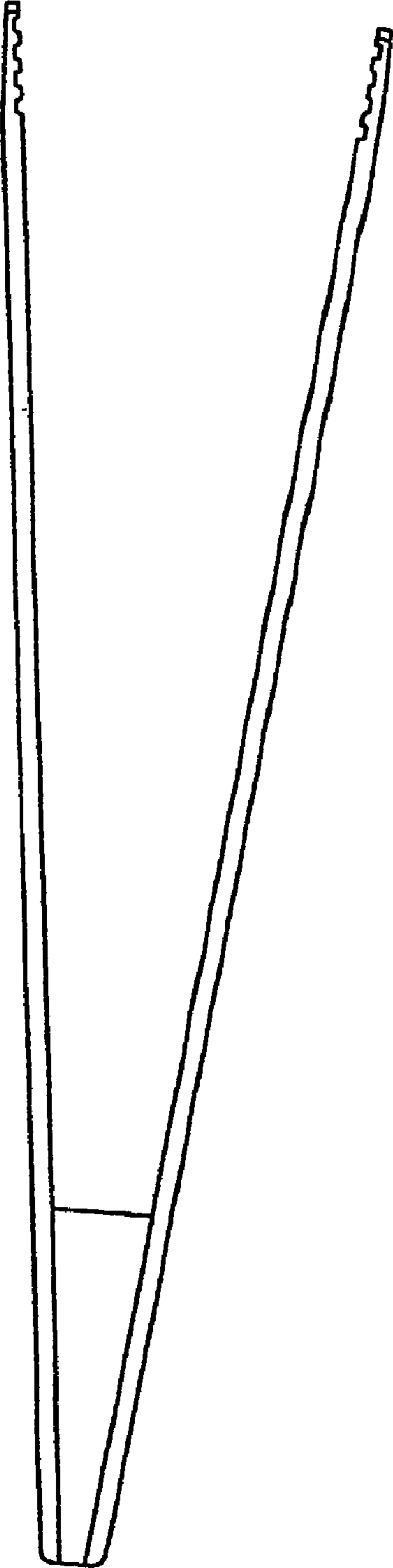


Fig. 5

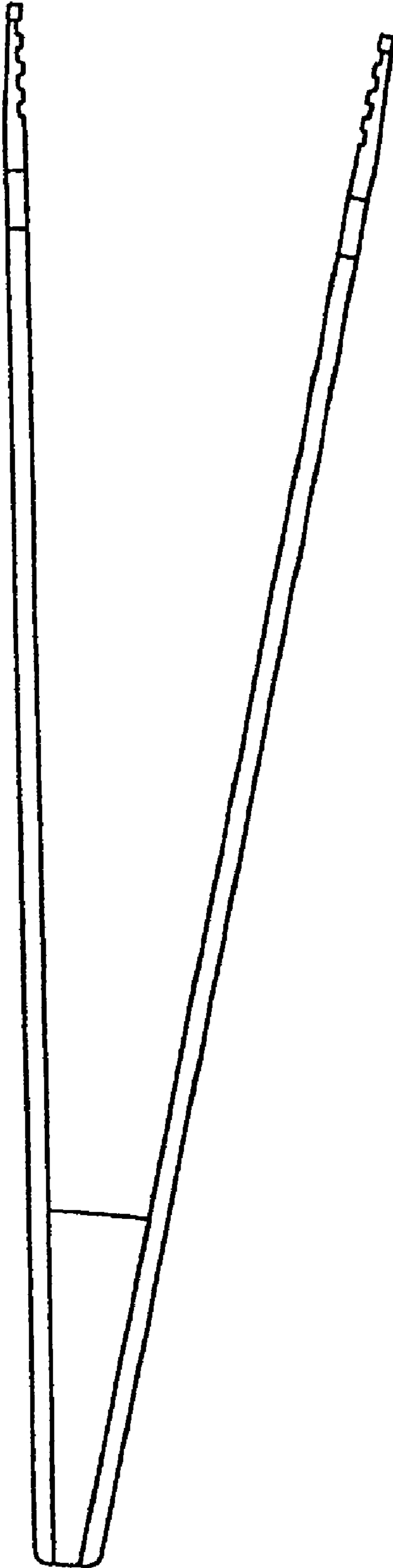


Fig. 6