

US00D545146S

(12) **United States Design Patent**
Marshall et al.

(10) **Patent No.:** **US D545,146 S**

(45) **Date of Patent:** **** Jun. 26, 2007**

(54) **PEPPER GRINDER**

D473,432 S * 4/2003 Tang et al. D7/679
D480,272 S * 10/2003 Yang D7/598

(76) Inventors: **Jeffrey Marshall**, 180 Treaty Rd.,
Drexel Hill, PA (US) 19026; **Scott**
Cooter, 219 Central Ave., Hatboro, PA
(US) 19040

* cited by examiner

Primary Examiner—Terry A. Wallace
(74) *Attorney, Agent, or Firm*—Oblon, Spivak, McClelland,
Maier & Neustadt, P.C.

(**) Term: **14 Years**

(21) Appl. No.: **29/262,587**

(57) **CLAIM**

(22) Filed: **Jul. 7, 2006**

The ornamental design for a pepper grinder, as shown and described.

(51) **LOC (8) Cl.** **07-04**

(52) **U.S. Cl.** **D7/679**

(58) **Field of Classification Search** D7/372-374,
D7/383, 384, 679, 590-598; D9/500, 503,
D9/504, 515, 516, 549, 559; 241/168, 169,
241/169.1, 262, 273.1-273.4, 286; 222/142.1-142.9,
222/480

See application file for complete search history.

DESCRIPTION

FIG. 1 is a top and left front perspective view of a pepper grinder or the like, showing my (our) new design;

FIG. 2 is a front elevational view thereof, the rear elevational view being a mirror image of the front view shown;

FIG. 3 is a right side elevational view thereof, the left side elevational view being a mirror image of the side view shown;

FIG. 4 is a top plan view thereof;

FIG. 5 is a bottom plan view thereof; and,

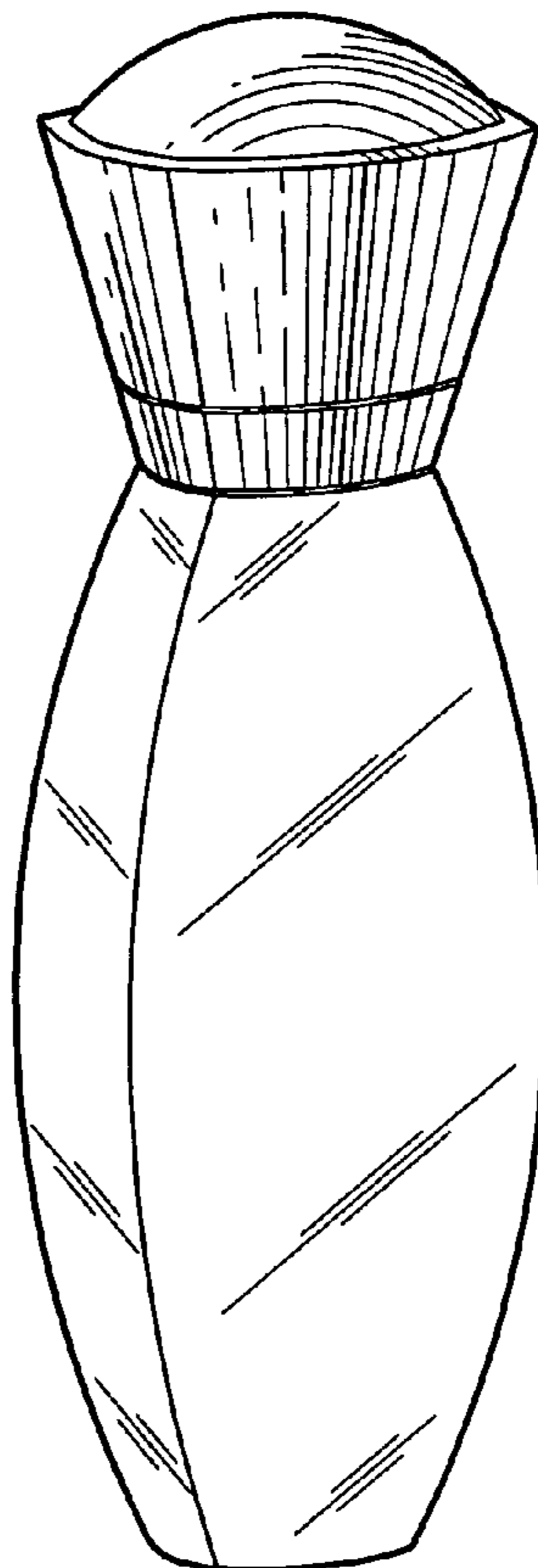
FIG. 6 is a cross-sectional view taken in the direction of the arrows on line 6-6 of FIG. 2.

(56) **References Cited**

U.S. PATENT DOCUMENTS

3,991,947 A * 11/1976 Schlessel 241/169.1
4,135,672 A * 1/1979 Schlessel 241/169.1
D336,728 S * 6/1993 Ancona et al. D7/591
D406,493 S * 3/1999 Kibbe D7/597
D436,808 S * 1/2001 Young et al. D7/679
6,443,378 B1 * 9/2002 Huang et al. 241/169.1

1 Claim, 3 Drawing Sheets



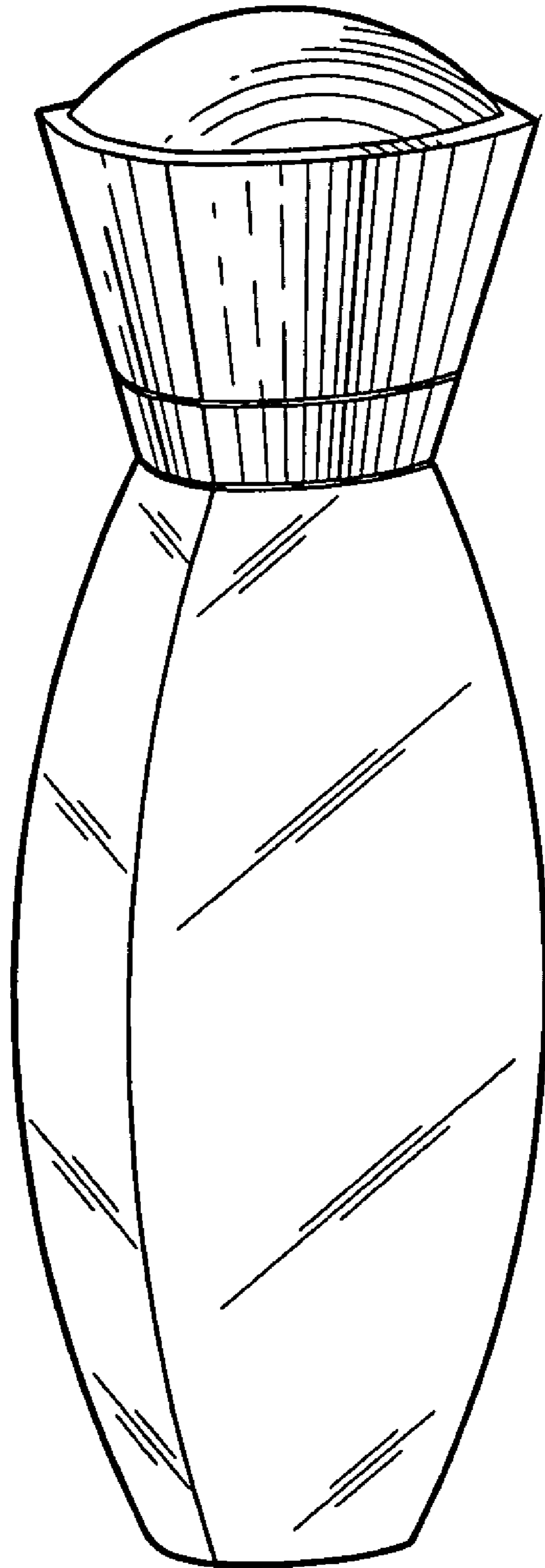


Fig. 1

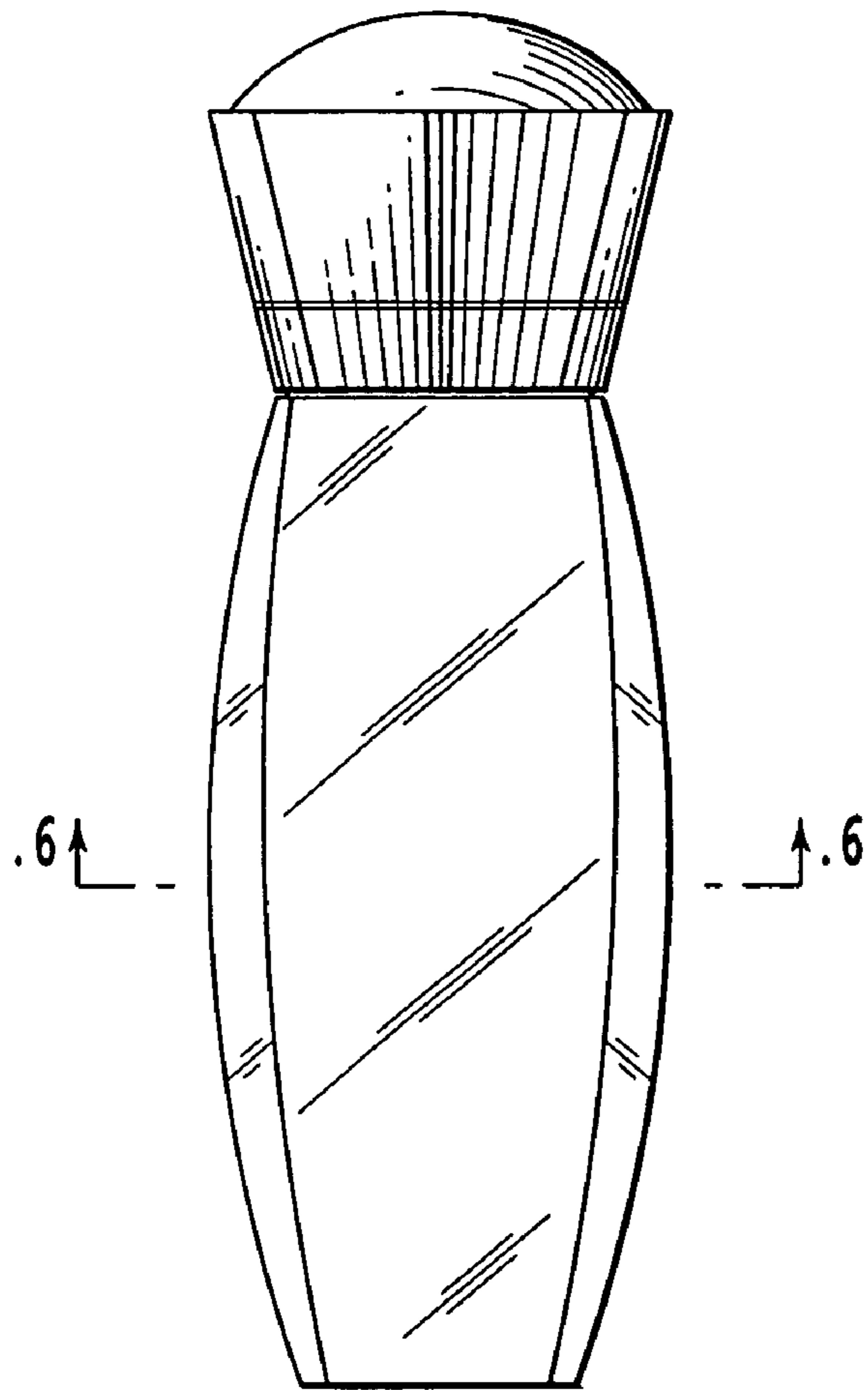


Fig. 2



Fig. 3

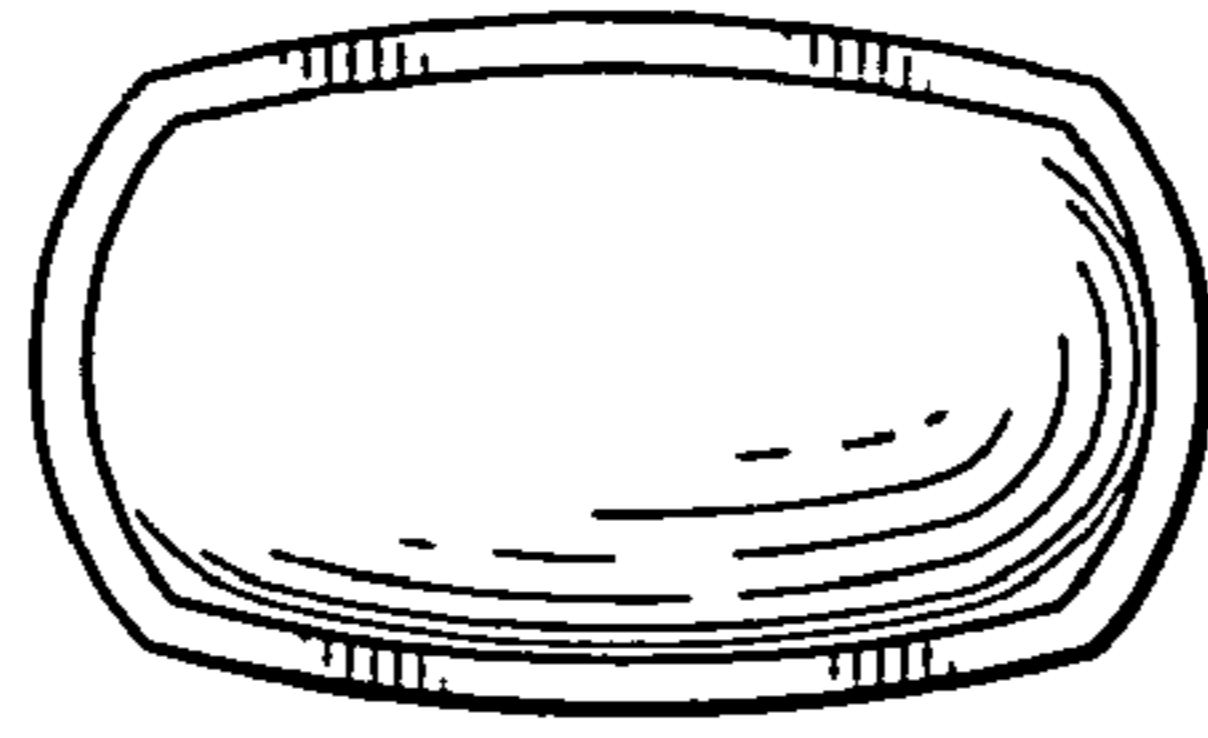


Fig. 4

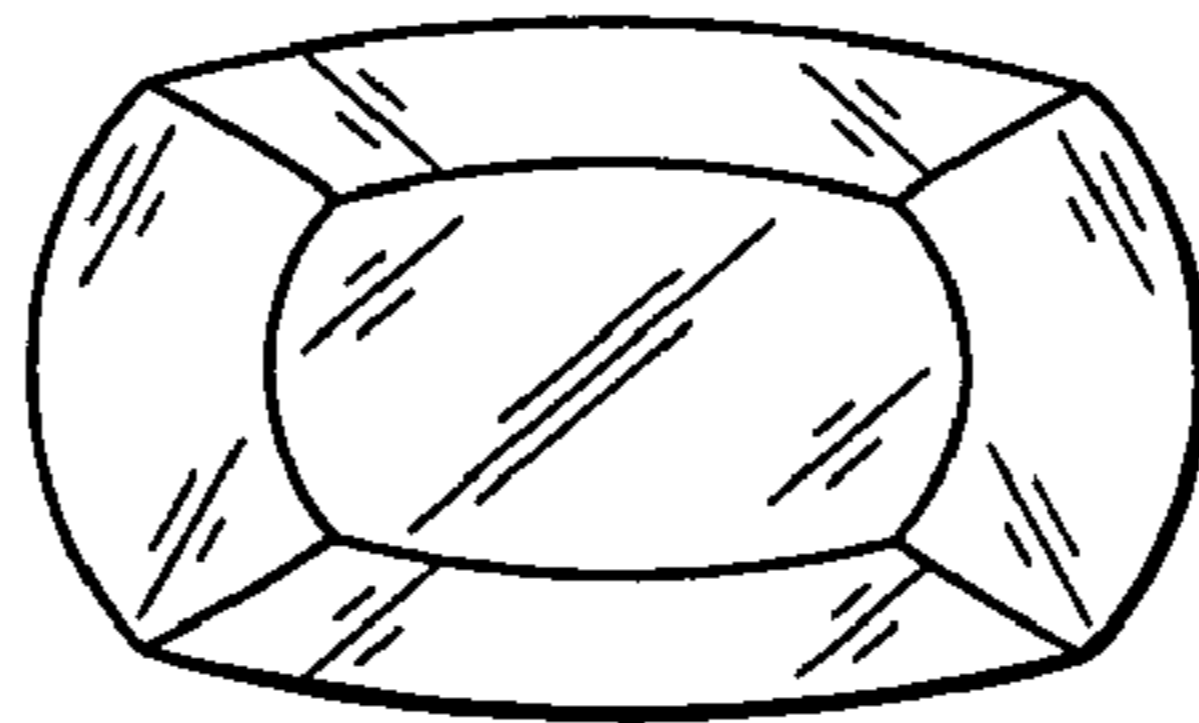


Fig. 5

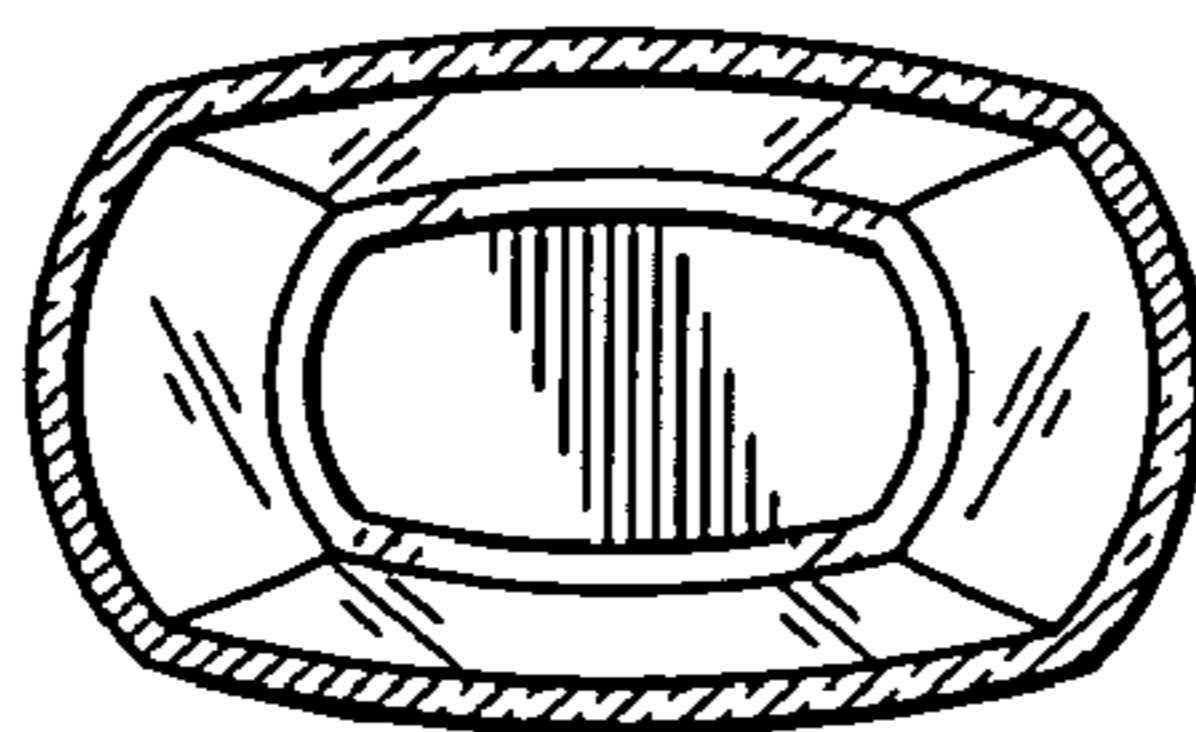


Fig. 6