



US00D545140S

(12) **United States Design Patent**
Hasegawa

(10) **Patent No.:** **US D545,140 S**

(45) **Date of Patent:** **** Jun. 26, 2007**

(54) **HANDLE FOR A KNIFE**

D461,689 S * 8/2002 Lothe D7/649
D462,581 S * 9/2002 Parlowski D7/649

(75) Inventor: **Katsumi Hasegawa**, Seki (JP)

(Continued)

(73) Assignee: **Kai RSD Center Co., Ltd.** (JP)

FOREIGN PATENT DOCUMENTS

(**) Term: **14 Years**

JP 281582 5/1968
JP 384687 8/1974

(21) Appl. No.: **29/222,421**

(Continued)

(22) Filed: **Jan. 28, 2005**

Primary Examiner—Cathron C. Brooks

Assistant Examiner—Ricky Pham

(30) **Foreign Application Priority Data**

(74) *Attorney, Agent, or Firm*—Stetina Brunda Garred & Brucker

Jul. 29, 2004 (JP) 2004-022754

(51) **LOC (8) Cl.** **07-03**

(52) **U.S. Cl.** **D7/649**

(58) **Field of Classification Search** D4/138;
D7/393, 395, 401.2, 642–646, 649–653, 662–664,
D7/688, 695–696; D8/10, 36, 75, 80, 83,
D8/87, 98, 99, 102, 107, 300, 303; D18/34.9;
D22/118; 30/123.5–123.7, 124–125, 128,
30/142–143, 147–149, 169, 304, 316, 329,
30/340, 342–346, 353, 355, 394
See application file for complete search history.

(57) **CLAIM**

The ornamental design for a handle for a knife, as shown and described.

DESCRIPTION

FIG. 1 is a perspective view of a handle for a knife showing my new design;

FIG. 2 is a front view thereof, the rear view being a mirror image of FIG. 2;

FIG. 3 is a top plan view thereof;

FIG. 4 is a bottom plan view thereof;

FIG. 5 is a right side elevational view thereof;

FIG. 6 is a left side elevational view thereof;

FIG. 7 is an enlarged cross-sectional view taken along line 7-7 of FIG. 2;

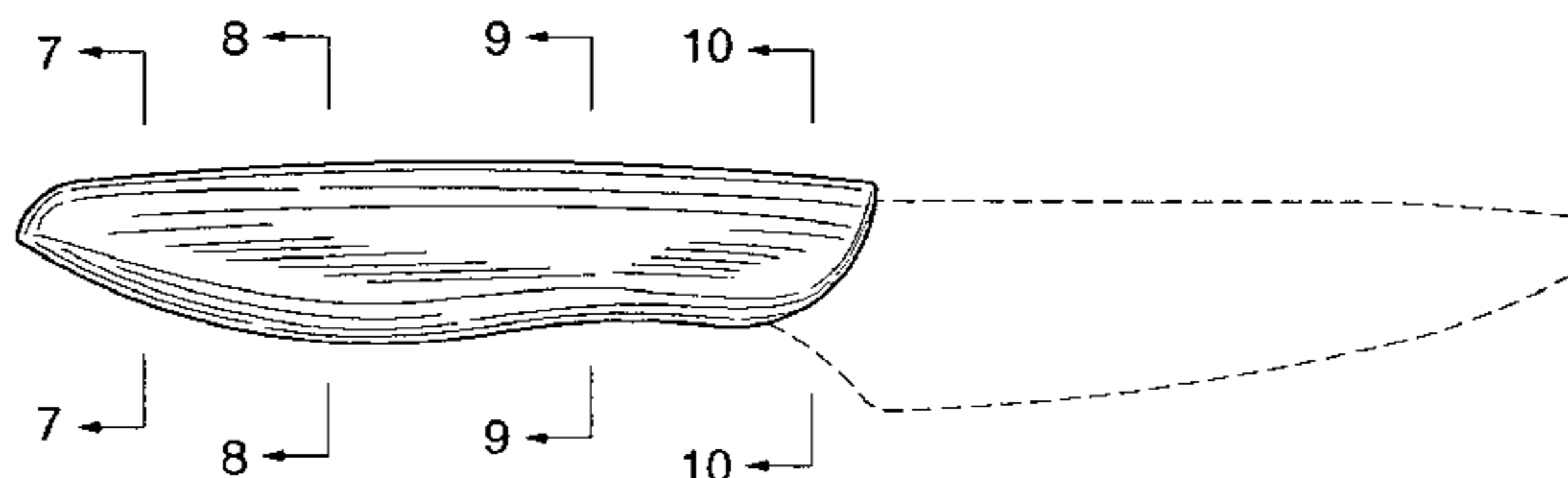
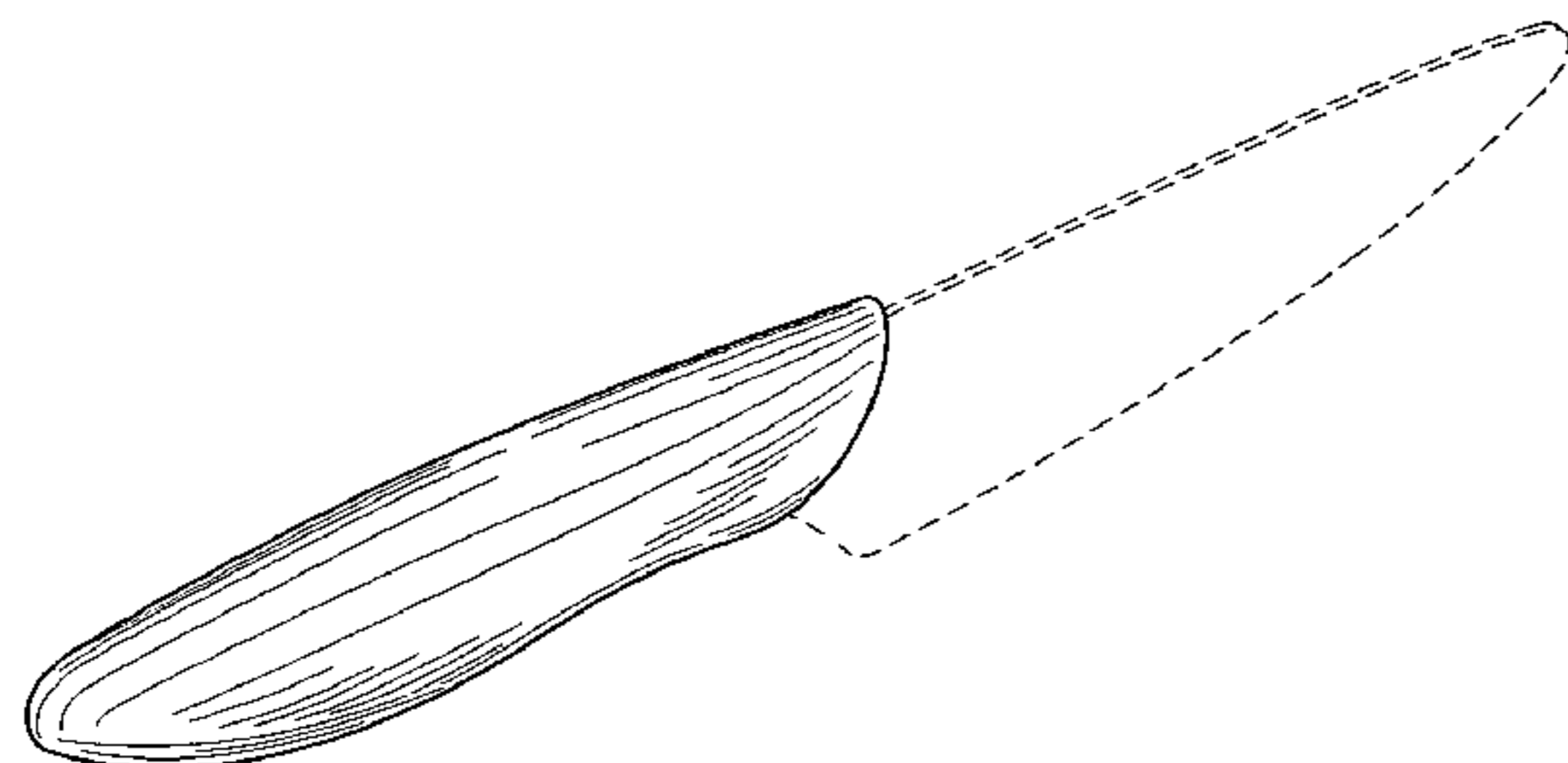
FIG. 8 is an enlarged cross-sectional view taken along line 8-8 of FIG. 2;

FIG. 9 is an enlarged cross-sectional view taken along line 9-9 of FIG. 2; and,

FIG. 10 is an enlarged cross-sectional view taken along line 10-10 of FIG. 2.

The broken lines shown in the drawings are for illustrative purposes only and form no part of the claimed design.

1 Claim, 3 Drawing Sheets



US D545,140 S

Page 2

U.S. PATENT DOCUMENTS

			JP	488316-2	5/1981
			JP	488316-3	5/1981
D468,593	S *	1/2003 Margolin et al.	JP	488316-4	5/1981
D469,666	S *	2/2003 Chen	JP	488316-5	5/1981
D475,261	S *	6/2003 Lee	JP	488316-6	5/1981
D482,874	S *	12/2003 Dotterman	JP	488316-7	9/1981
D496,563	S *	9/2004 Marsden et al.	JP	488316-8	11/1981
D497,523	S *	10/2004 Chen	JP	488316-9	11/1981
D498,120	S *	11/2004 Deglon	JP	723740	1/1988
D525,088	S *	7/2006 Fort et al.	JP	723840	1/1988

FOREIGN PATENT DOCUMENTS

			JP	747122	10/1988
			JP	939285	11/1995
			JP	941524	12/1995
JP	384687-1	2/1975	JP	954351	5/1996
JP	384687-2	2/1975	JP	954352	5/1996
JP	384687-3	2/1975	JP	1090141	11/2000
JP	488316	11/1978	JP	1184752	9/2003
JP	527862	4/1980			
JP	527862-1	4/1980			
JP	488316-1	5/1981			

* cited by examiner

FIG. 1

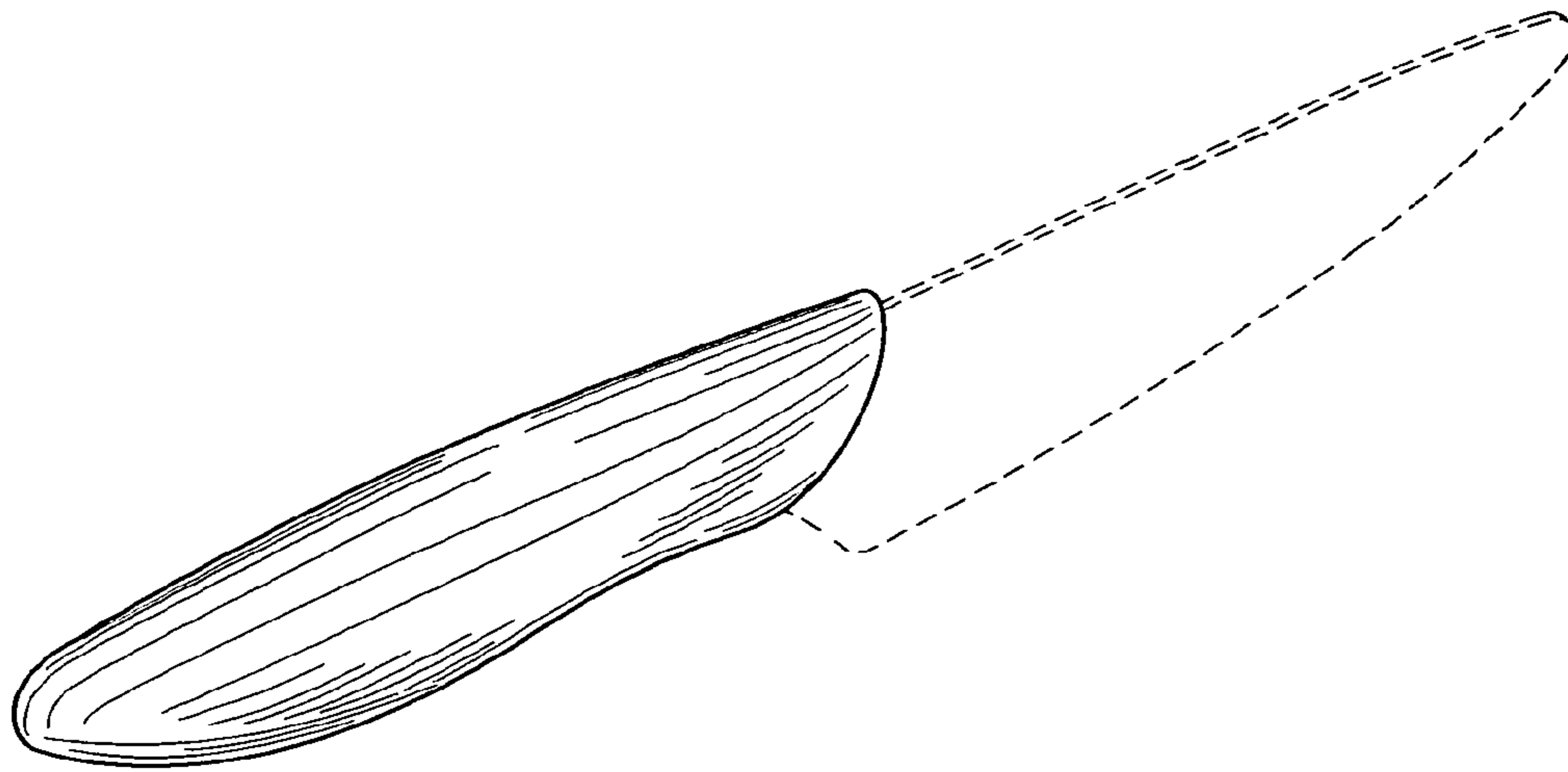


FIG. 2

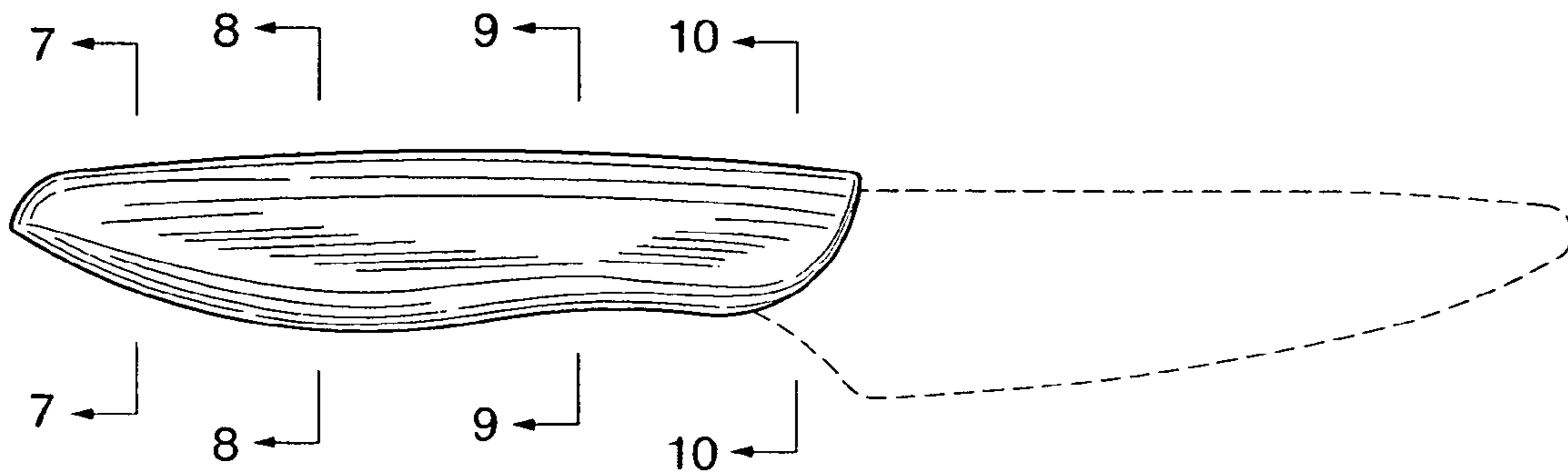


FIG. 3

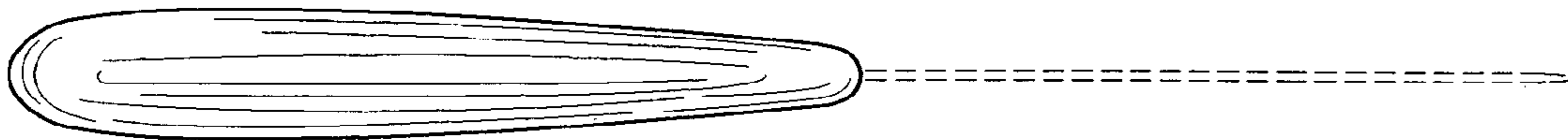


FIG. 4

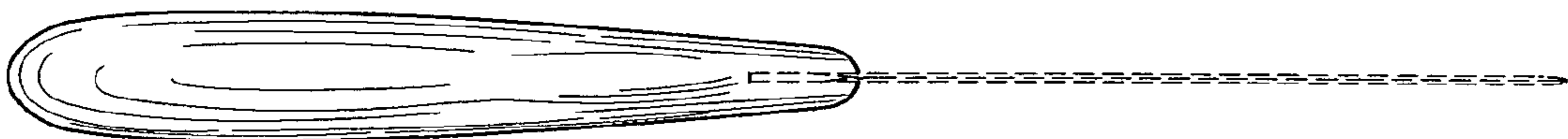


FIG. 5

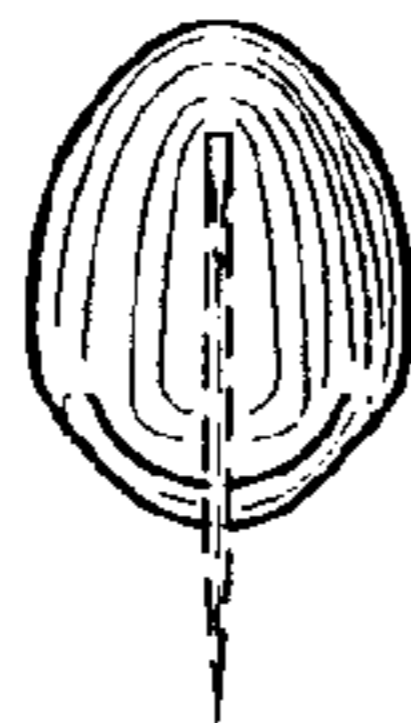


FIG. 6

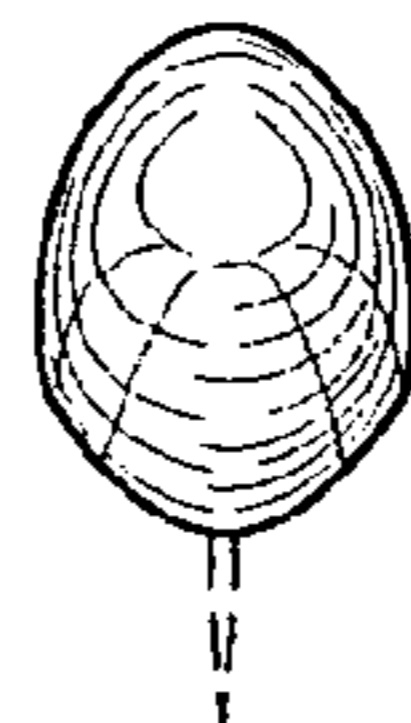


FIG. 7

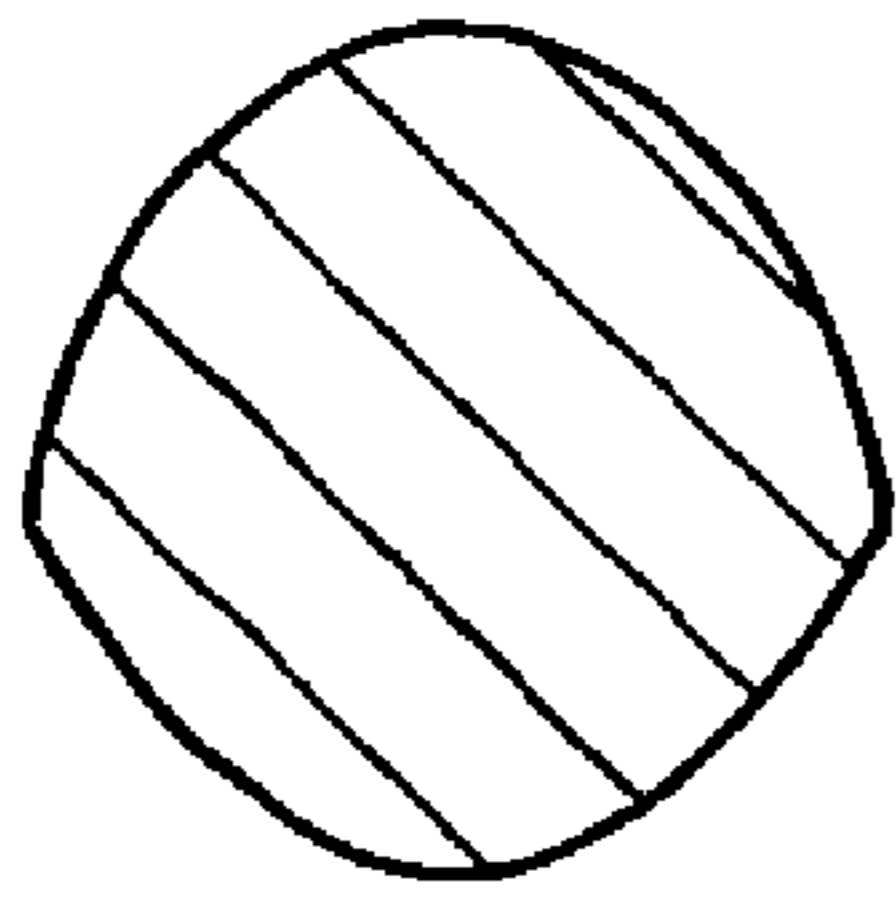


FIG. 8

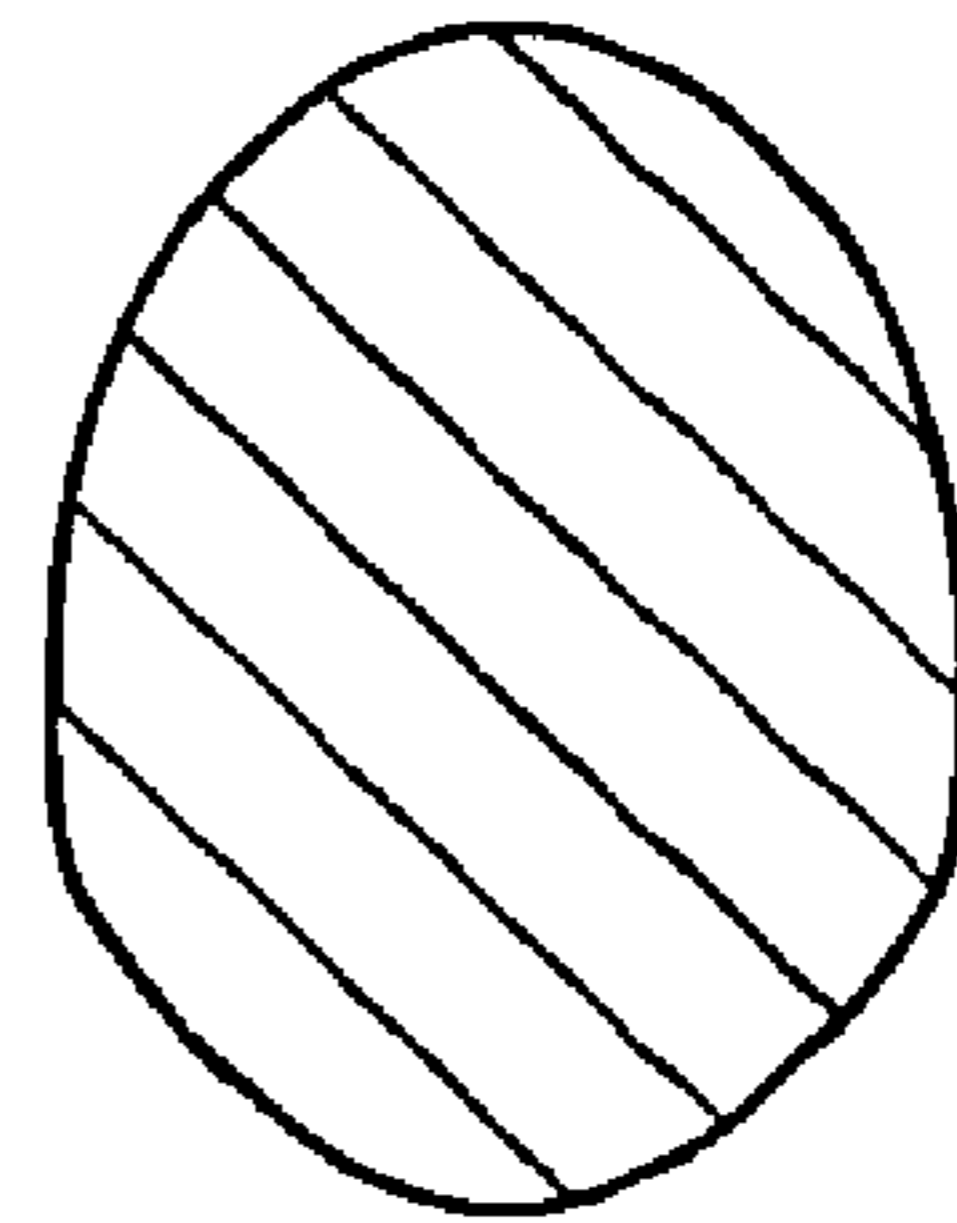


FIG. 9

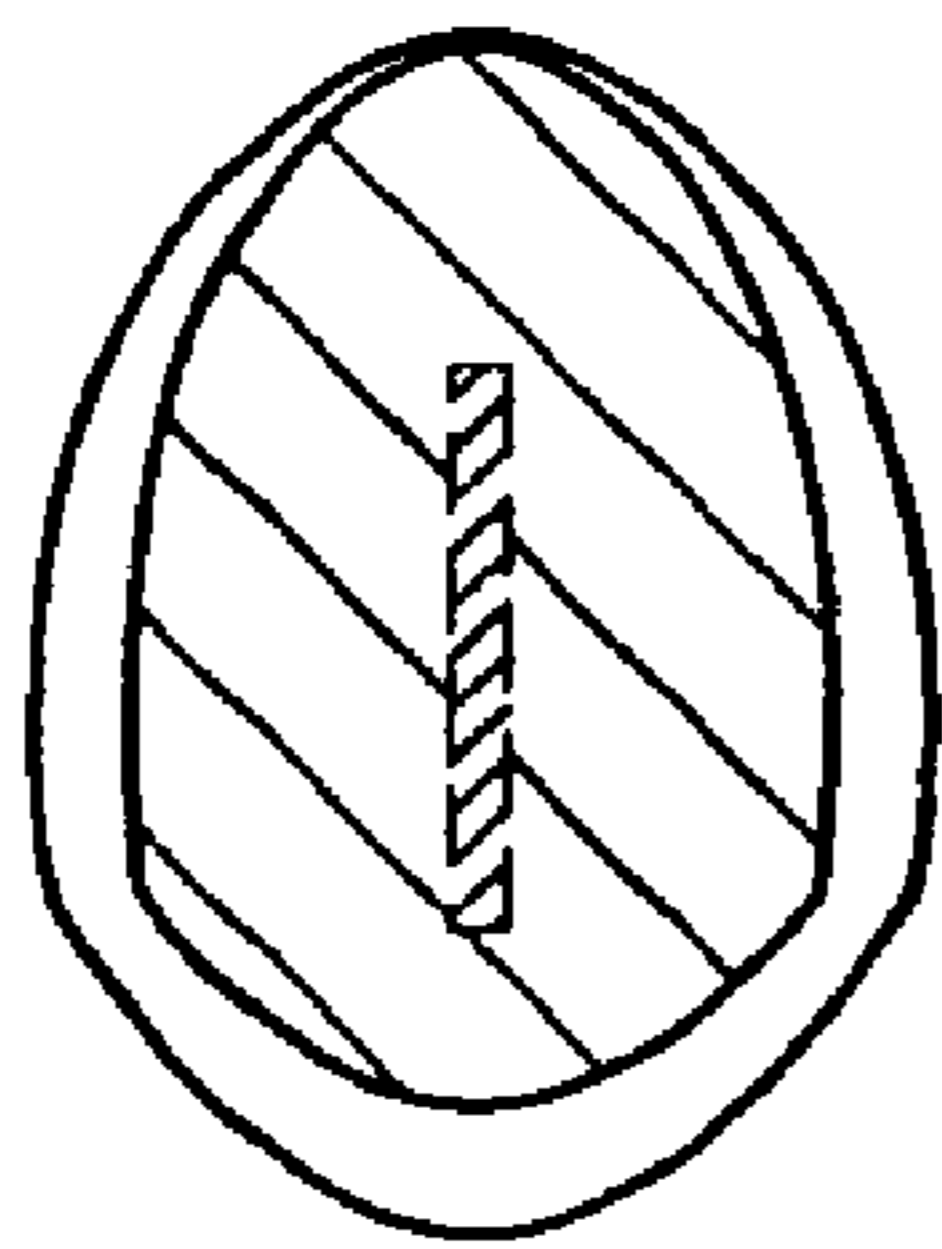
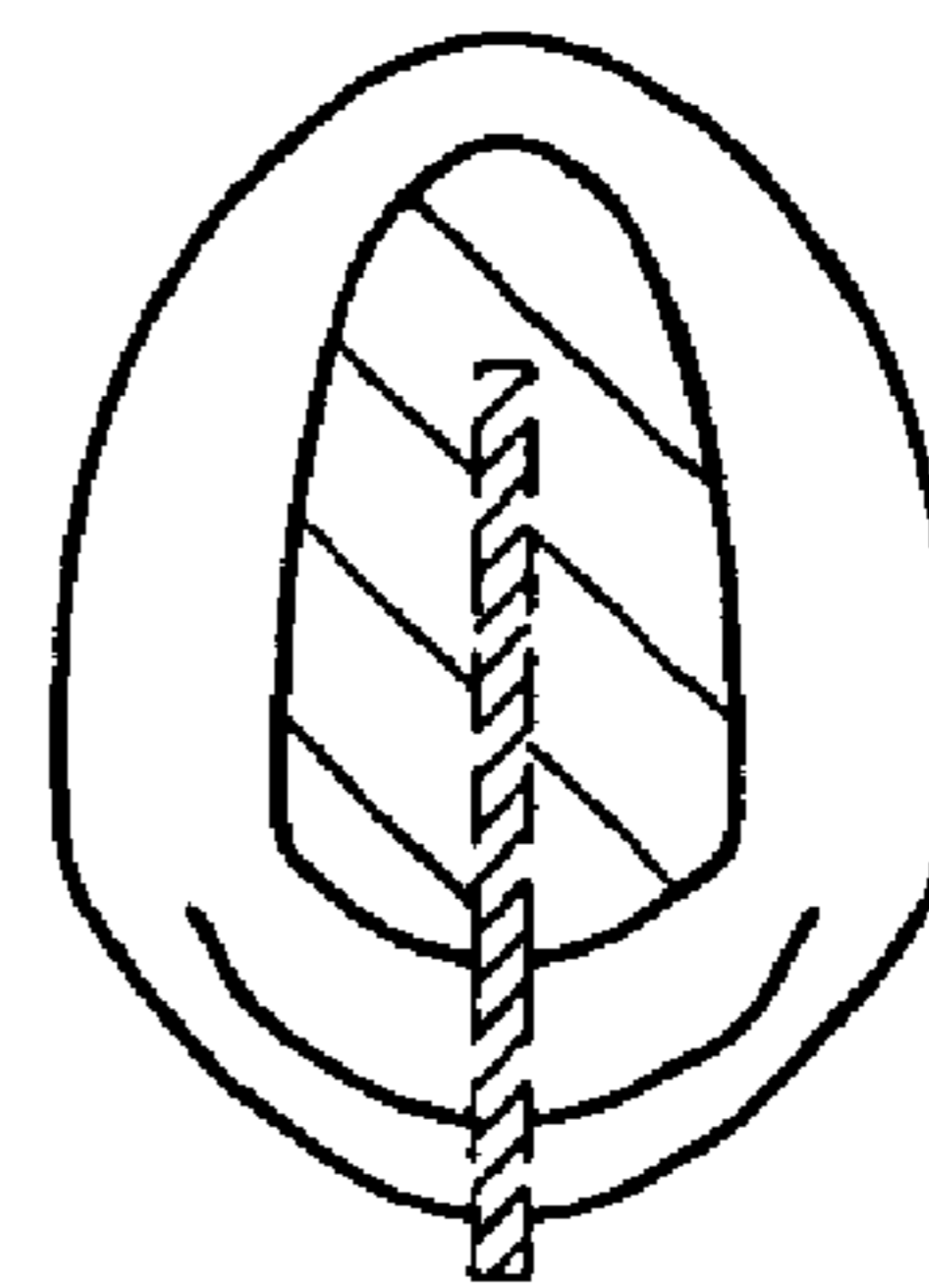


FIG. 10



UNITED STATES PATENT AND TRADEMARK OFFICE
CERTIFICATE OF CORRECTION

PATENT NO. : Des. 545,140 S
APPLICATION NO. : 29/222421
DATED : June 26, 2007
INVENTOR(S) : Katsumi Hasegawa

Page 1 of 1

It is certified that error appears in the above-identified patent and that said Letters Patent is hereby corrected as shown below:

Page 1, column 1, item (73): should read;

Assignee: Kai R&D Center Co., Ltd.

Signed and Sealed this

Sixteenth Day of October, 2007

A handwritten signature in black ink on a light gray dotted background. The signature reads "Jon W. Dudas" in a cursive style.

JON W. DUDAS

Director of the United States Patent and Trademark Office