



US00D545137S

(12) **United States Design Patent**
Furlong et al.

(10) **Patent No.: US D545,137 S**
(45) **Date of Patent: ** Jun. 26, 2007**

(54) **COLLAPSIBLE STORAGE CONTAINER**

(75) Inventors: **Brian D. Furlong**, Davidson, NC (US);
Joseph Lutgen, Huntersville, NC (US);
William Hart, Cornelius, NC (US)

(73) Assignee: **Rubbermaid Incorporated**, Fairlawn,
OH (US)

(**) Term: **14 Years**

(21) Appl. No.: **29/239,027**

(22) Filed: **Sep. 23, 2005**

(51) **LOC (8) Cl. 07-01**

(52) **U.S. Cl. D7/629**

(58) **Field of Classification Search** None
See application file for complete search history.

(56) **References Cited**

U.S. PATENT DOCUMENTS

1,048,935	A	12/1912	Brady	
2,521,278	A	9/1950	Bauman	220/8
2,725,087	A	11/1955	Potter	150/0.5
2,880,902	A	4/1959	Owsen	220/8
3,220,544	A	11/1965	Lovell	206/46
3,434,589	A	3/1969	Valtri et al.	206/46
3,474,844	A	10/1969	Lindstrom et al.	150/0.5

(Continued)

FOREIGN PATENT DOCUMENTS

FR	2624098	6/1989
JP	03-223003	2/1991

Primary Examiner—Terry A. Wallace

(74) *Attorney, Agent, or Firm*—Lempia Forman LLC

(57) **CLAIM**

The ornamental design for a “collapsible storage container,” as shown and described.

DESCRIPTION

FIG. 1 shows a front, left side, and top perspective view of a collapsible storage container in the expanded condition

and constructed in accordance with the teachings of the present invention.

FIG. 2 shows a front view of the collapsible storage container as shown in FIG. 1.

FIG. 3 shows a top view of the collapsible storage container as shown in FIG. 1.

FIG. 4 shows a rear view of the collapsible storage container as shown in FIG. 1.

FIG. 5 shows a left side view of the collapsible storage container as shown in FIG. 1.

FIG. 6 shows a right side view of the collapsible storage container as shown in FIG. 1.

FIG. 7 shows a bottom view of the collapsible storage container as shown in FIG. 1.

FIG. 8 shows a front, left side, and top perspective view of the collapsible storage container of FIG. 1 and in the collapsed condition.

FIG. 9 shows a front view of the collapsible storage container as shown in FIG. 8.

FIG. 10 shows a left side view of the collapsible storage container as shown in FIG. 8.

FIG. 11 shows a right side view of the collapsible storage container as shown in FIG. 8.

FIG. 12 shows a rear view of the collapsible storage container as shown in FIG. 8.

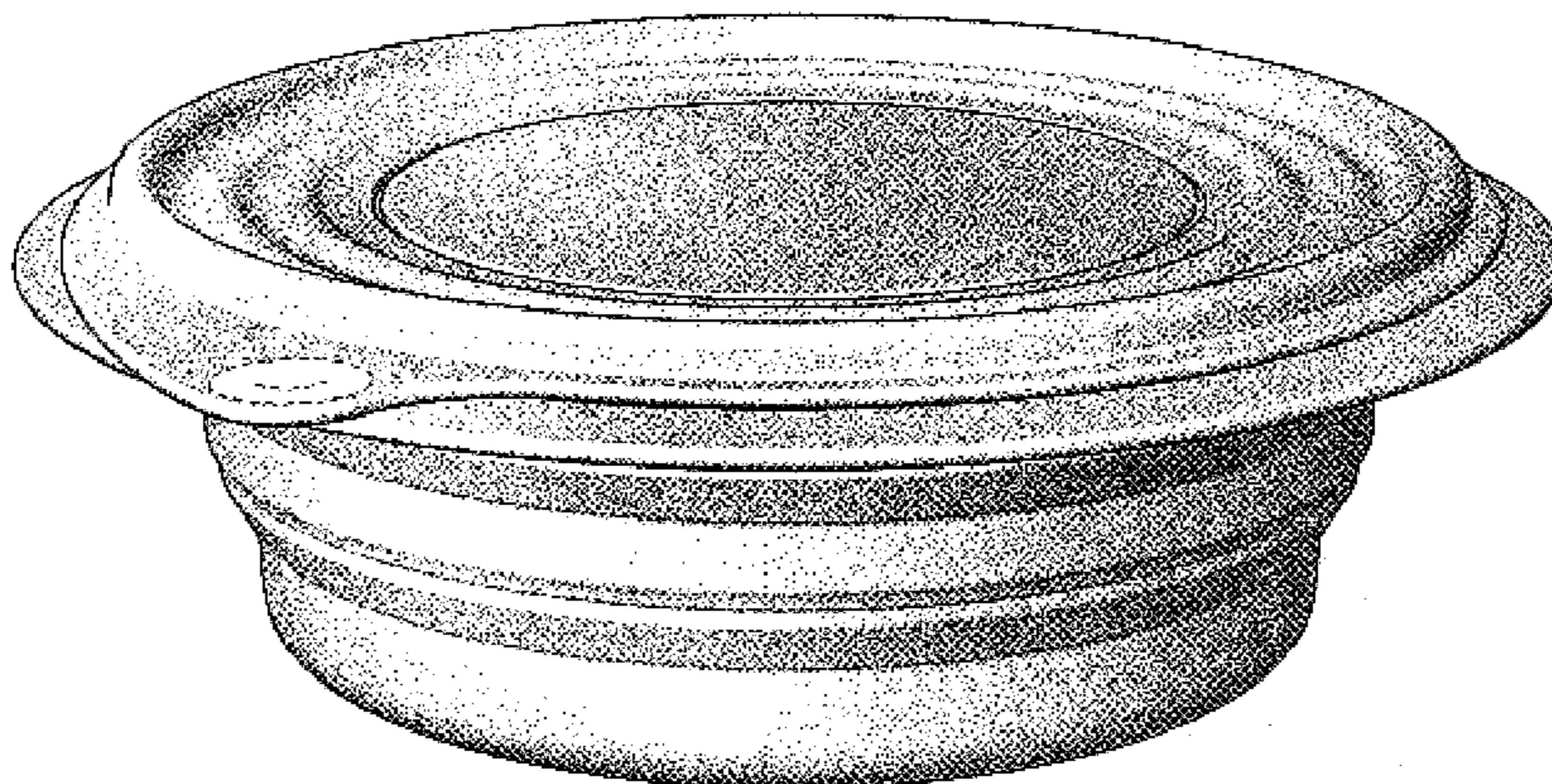
FIG. 13 shows a front, right side, and bottom perspective view of the collapsible storage container as shown in FIG. 8.

FIG. 14 shows an exploded front, left side, and top perspective view of the collapsed condition collapsible storage container as otherwise shown in FIG. 8.

FIG. 15 shows an exploded front, left side, and top perspective view of the expanded condition collapsible storage container as otherwise shown in FIG. 1; and,

FIG. 16 shows an exploded front, left side, and top perspective view of another embodiment of a collapsible storage container constructed in accordance with the teachings of the present invention.

1 Claim, 8 Drawing Sheets



US D545,137 S

Page 2

U.S. PATENT DOCUMENTS

3,939,887 A	2/1976	Scarnato	150/0.5	5,392,941 A	2/1995	Robbins, III	220/8
3,939,888 A	2/1976	Scarnato	150/0.5	5,900,293 A	5/1999	Zettle	428/12
4,087,024 A	5/1978	Martin et al.	222/211	5,911,338 A	6/1999	Miller	220/666
4,157,103 A	6/1979	La Fleur	141/98	5,913,448 A	6/1999	Mann et al.	220/666
4,875,576 A	10/1989	Torgimson et al.	206/219	6,315,151 B1	11/2001	Hupp et al.	220/666
4,930,644 A	6/1990	Robbins, III	215/1	6,666,329 B1	12/2003	Charbonneau	206/218
5,226,551 A	7/1993	Robbins, III	220/8	6,811,051 B2	11/2004	Higuchi	220/666
5,384,138 A	1/1995	Robbins, III et al.	426/111	2005/0127073 A1	6/2005	Kusuma et al.	220/6
				2005/0127074 A1	6/2005	Kusuma et al.	220/6

FIG. 1

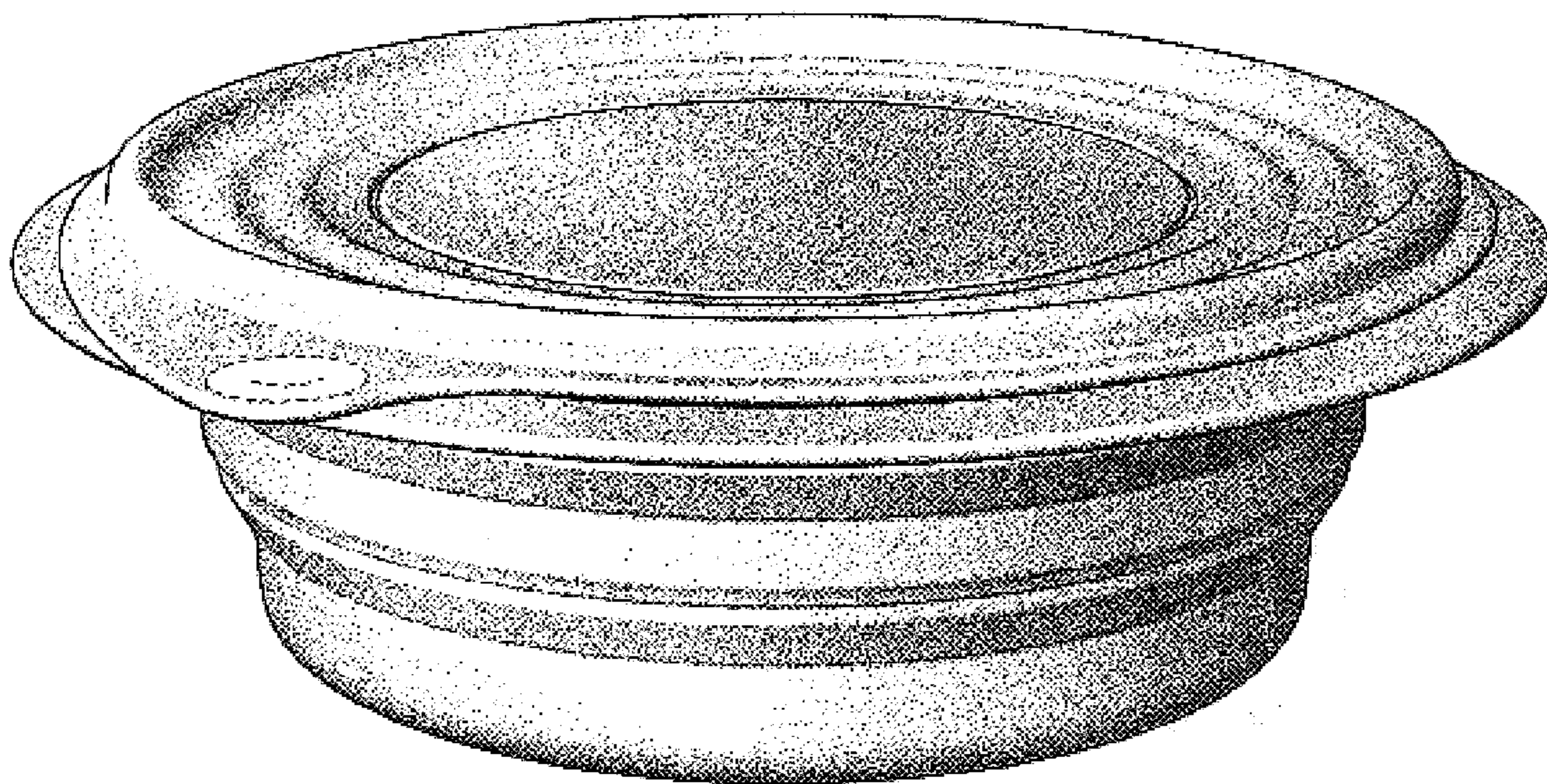


FIG. 2

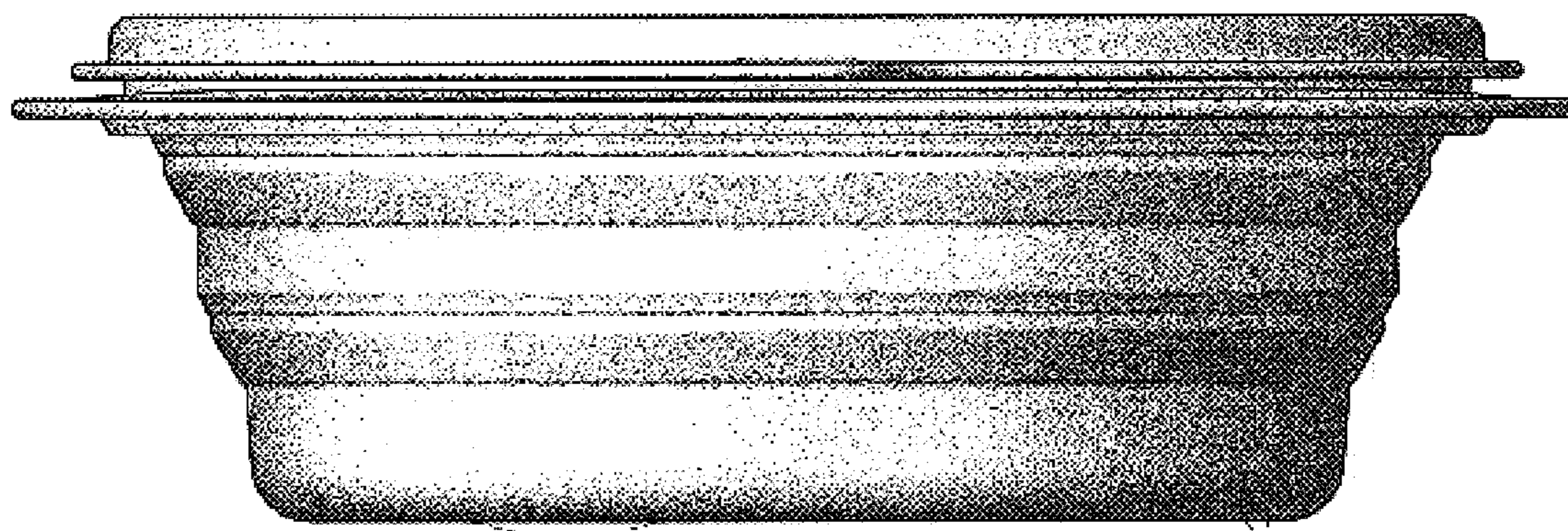


FIG. 3

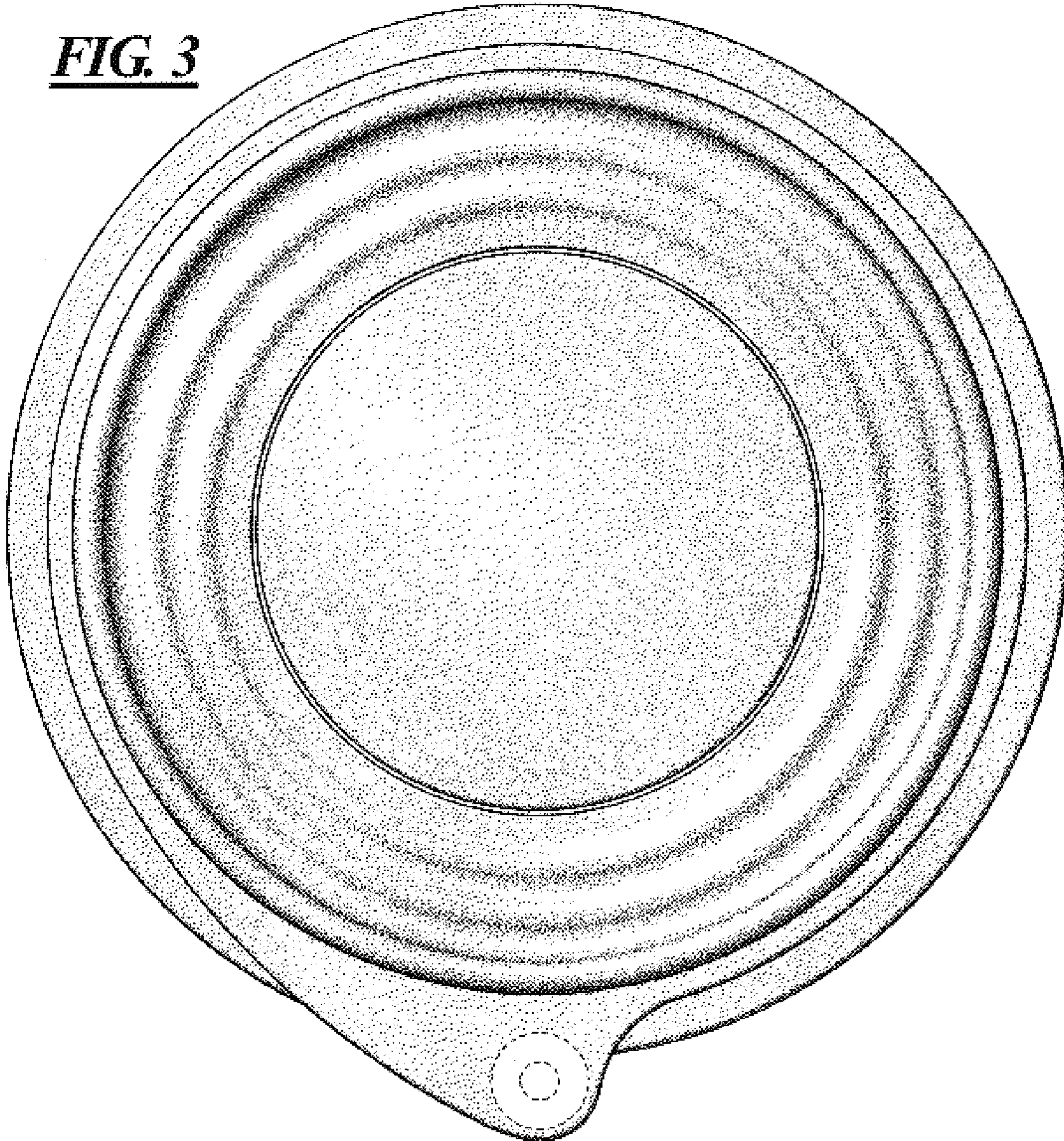


FIG. 4

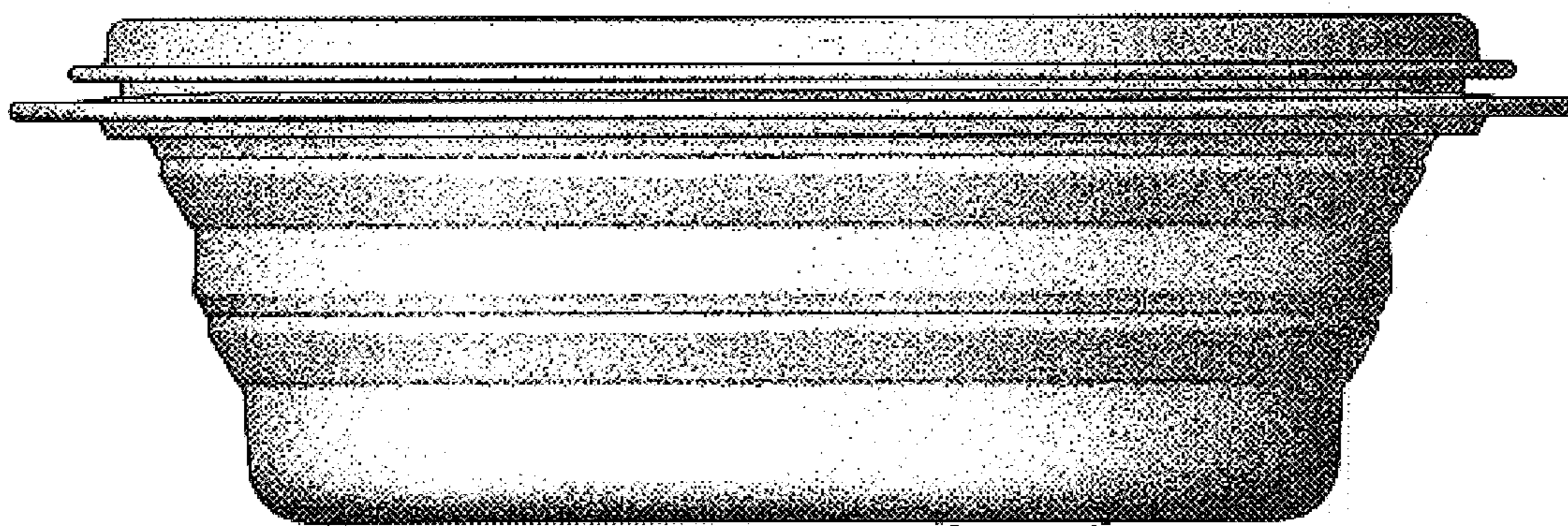


FIG. 5

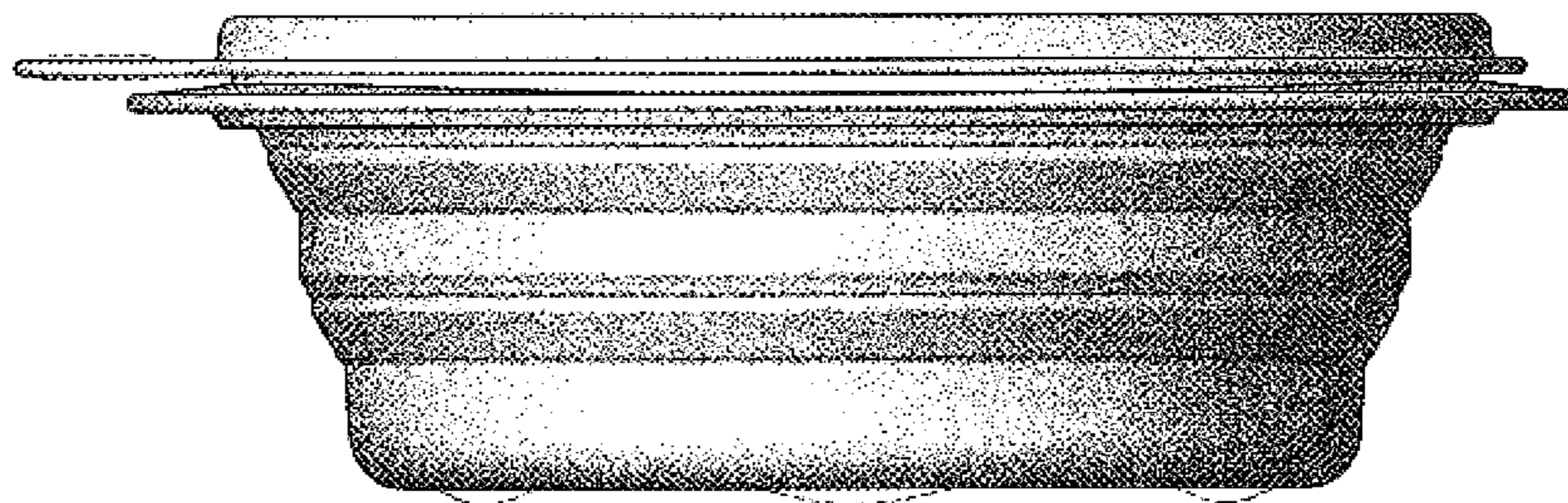


FIG. 6

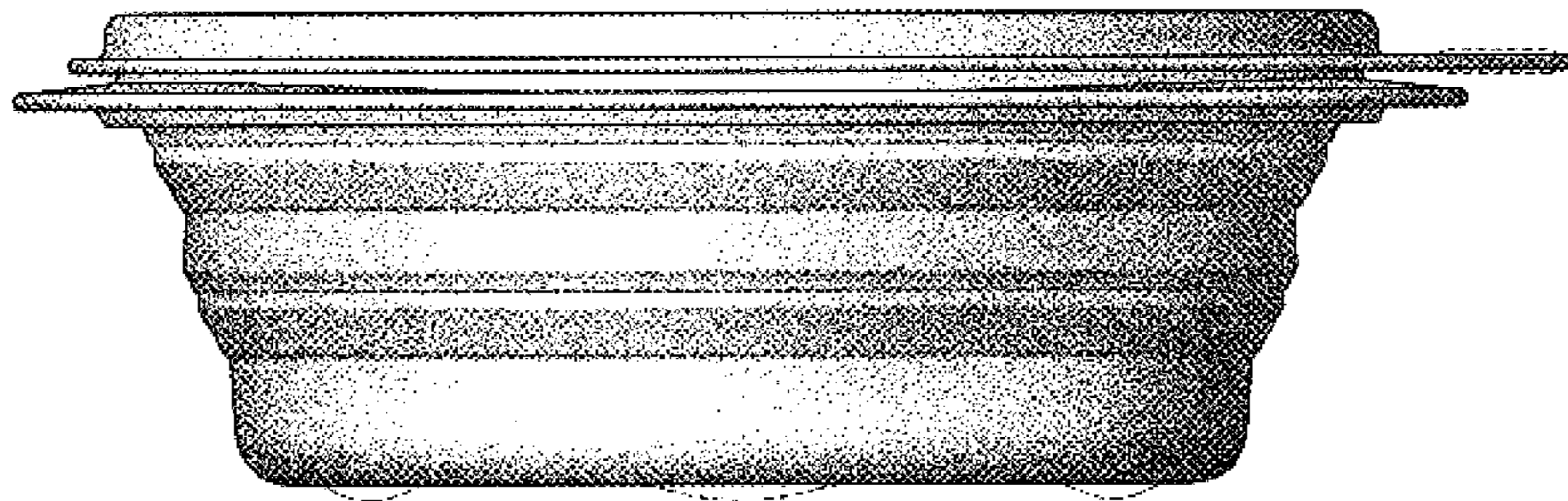


FIG. 7

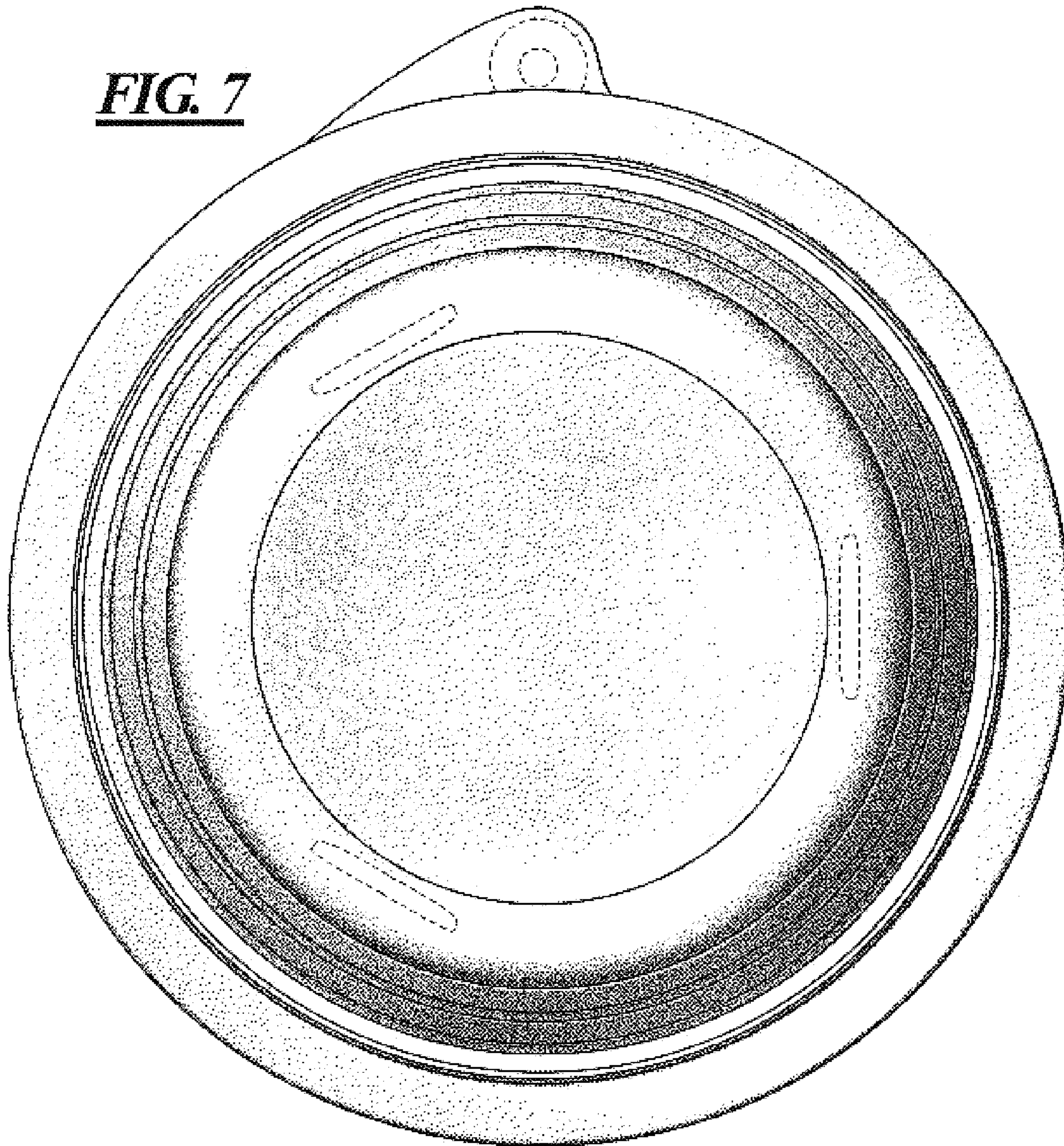


FIG. 8

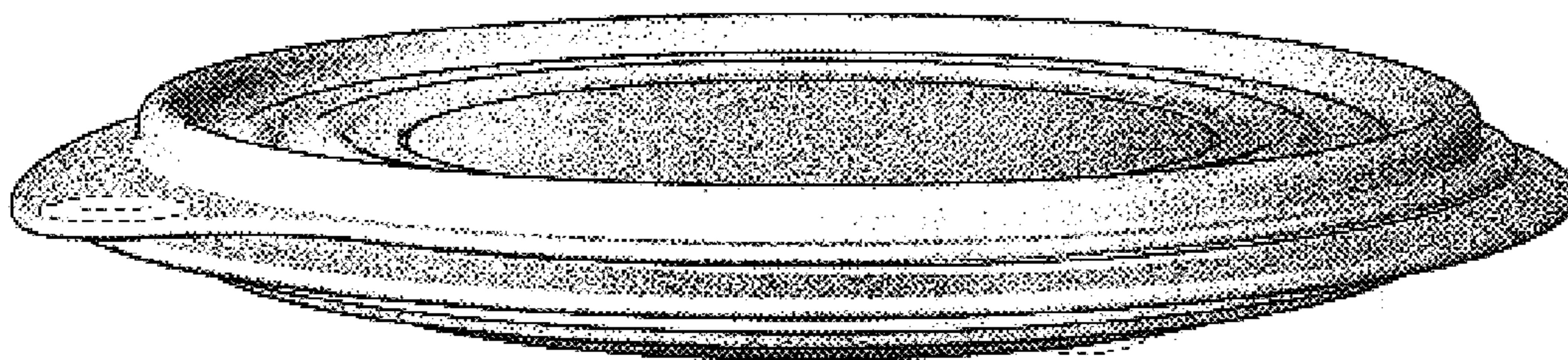


FIG. 9



FIG. 10

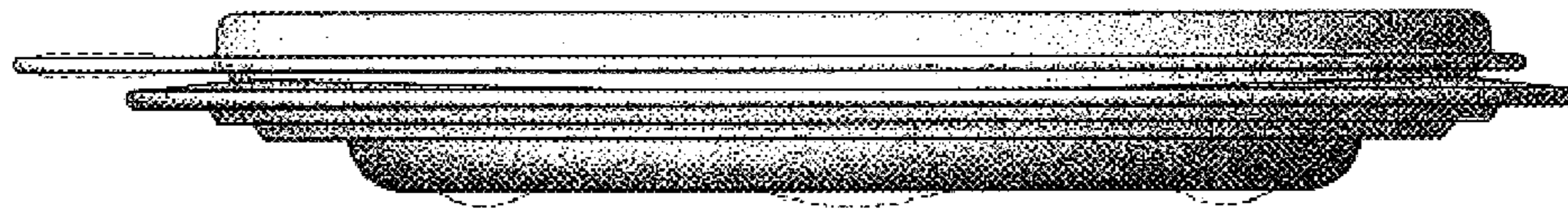


FIG. 11

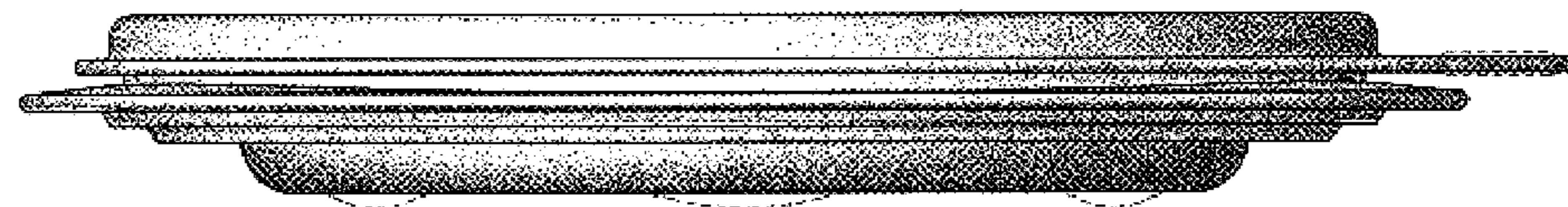


FIG. 12

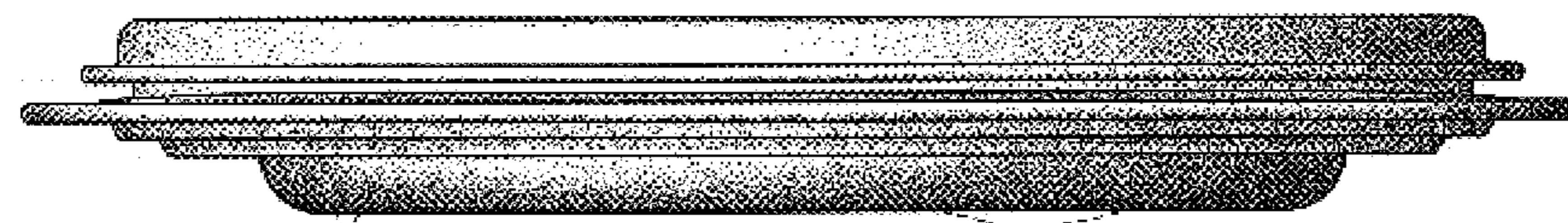


FIG. 13

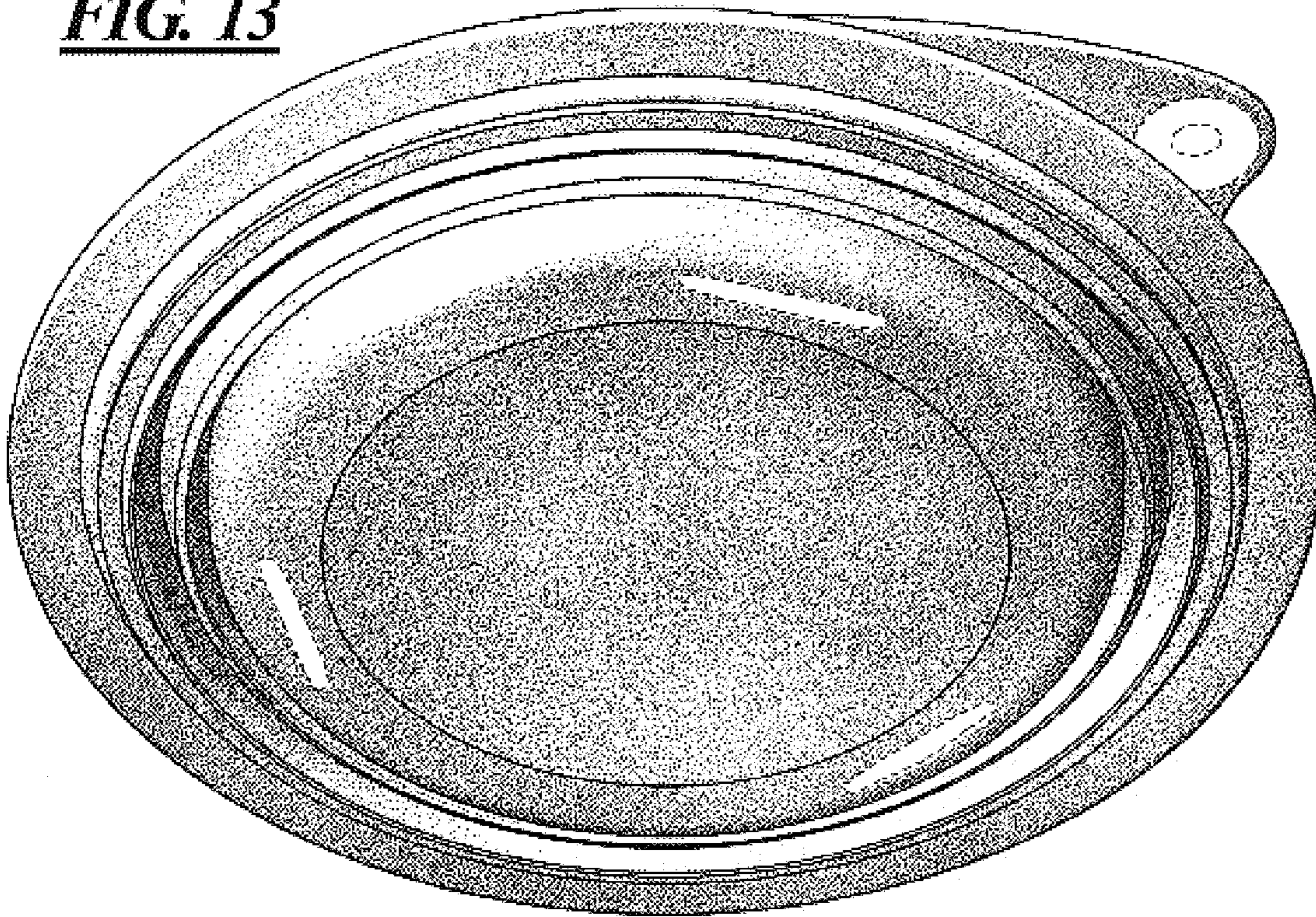


FIG. 14

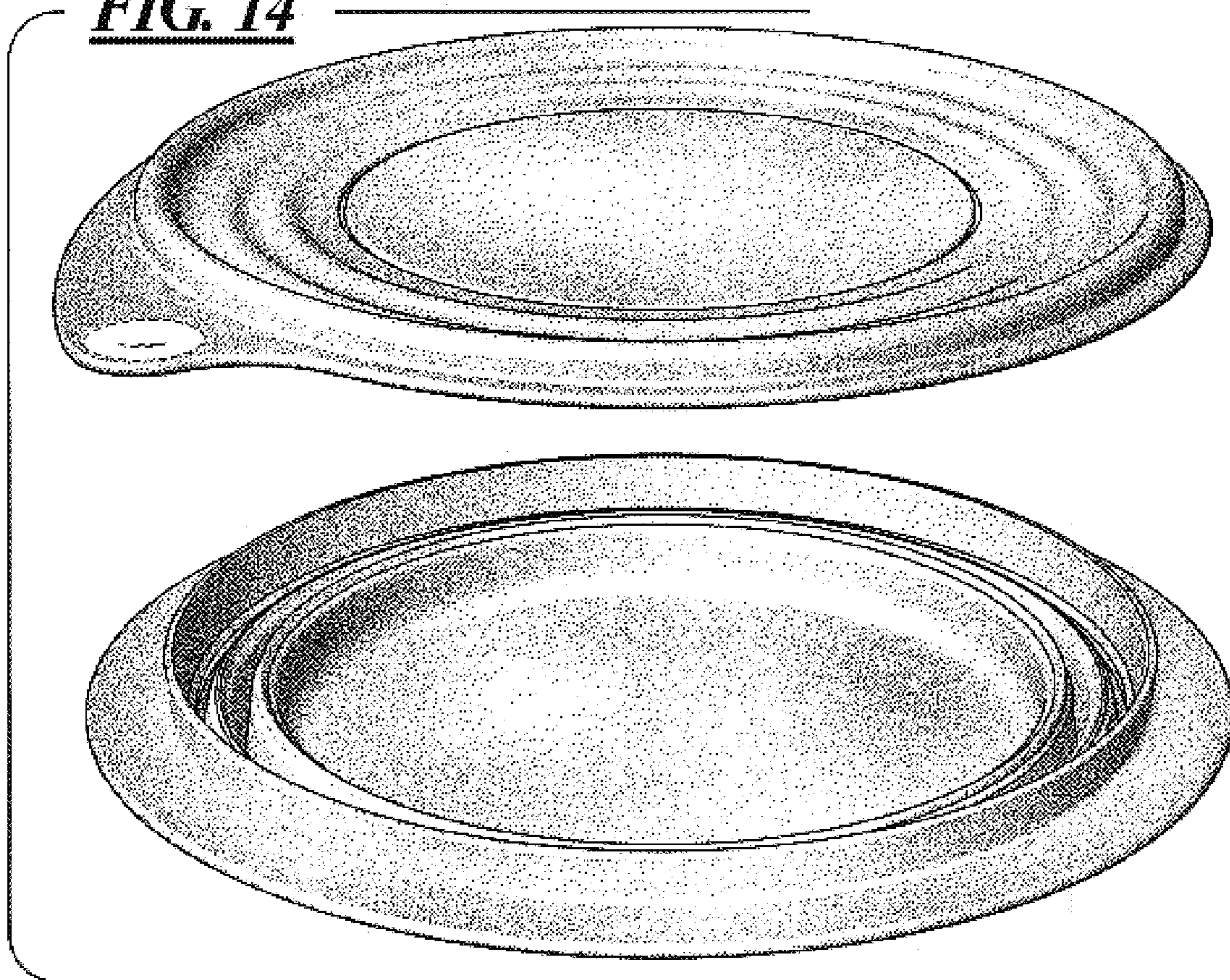


FIG. 15

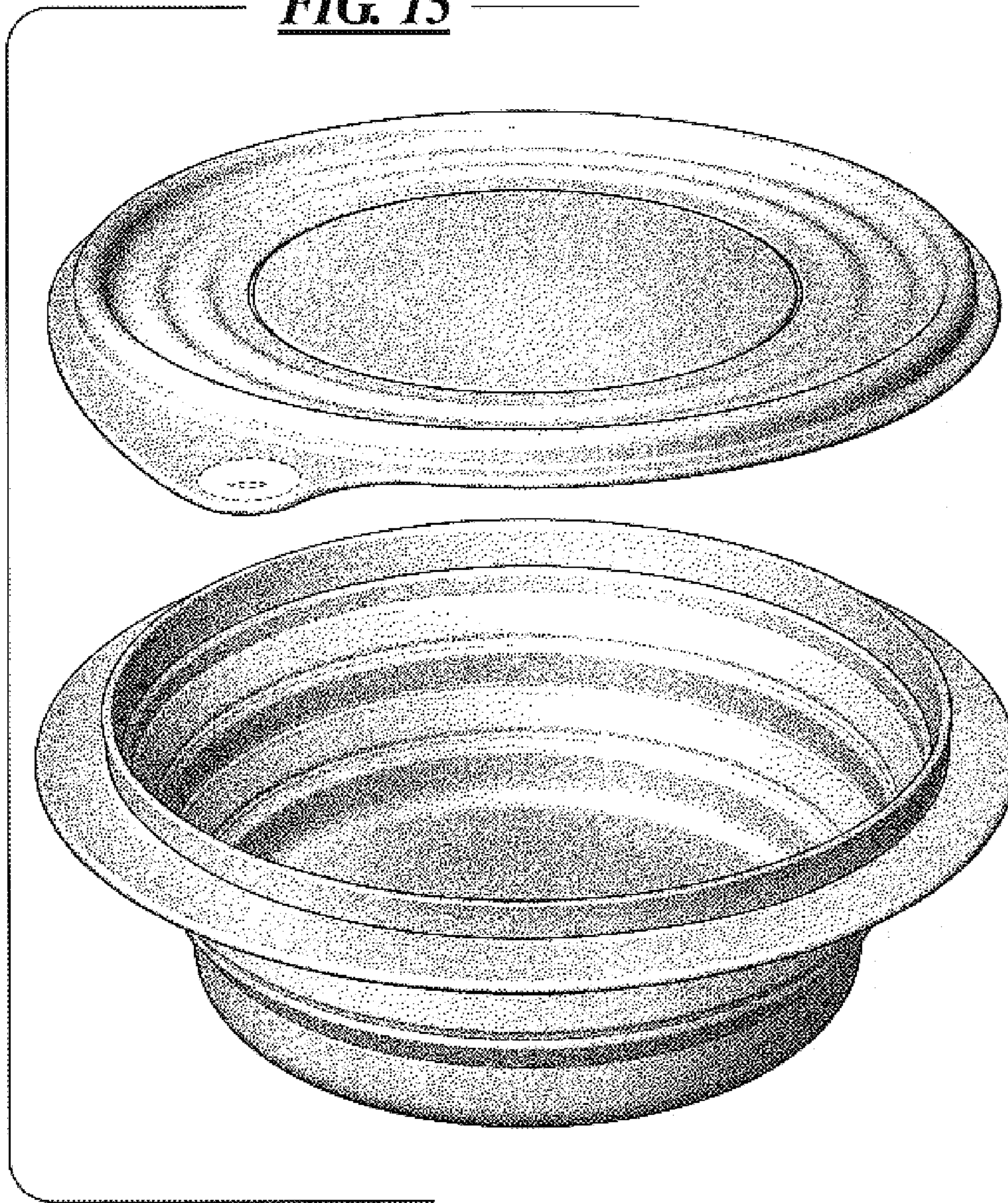
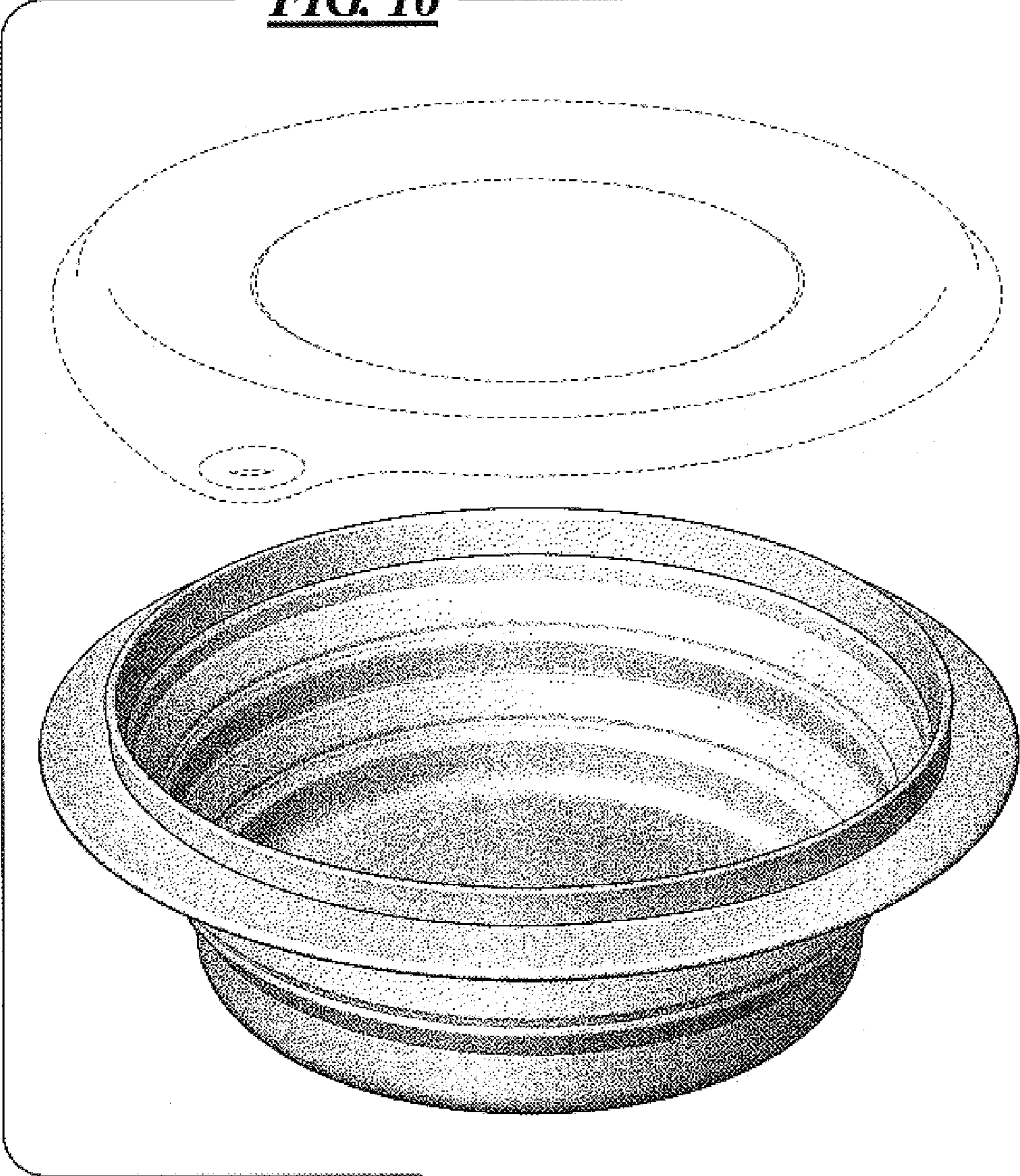


FIG. 16



UNITED STATES PATENT AND TRADEMARK OFFICE
CERTIFICATE OF CORRECTION

PATENT NO. : Des. 545,137 S
APPLICATION NO. : 29/239027
DATED : June 26, 2007
INVENTOR(S) : Furlong et al.

Page 1 of 2

It is certified that error appears in the above-identified patent and that said Letters Patent is hereby corrected as shown below:

In the Drawings:

Figure 16 should be deleted and replaced with new Figure 16 (copy attached) as illustrated.

Signed and Sealed this
Fourth Day of August, 2009



JOHN DOLL
Acting Director of the United States Patent and Trademark Office

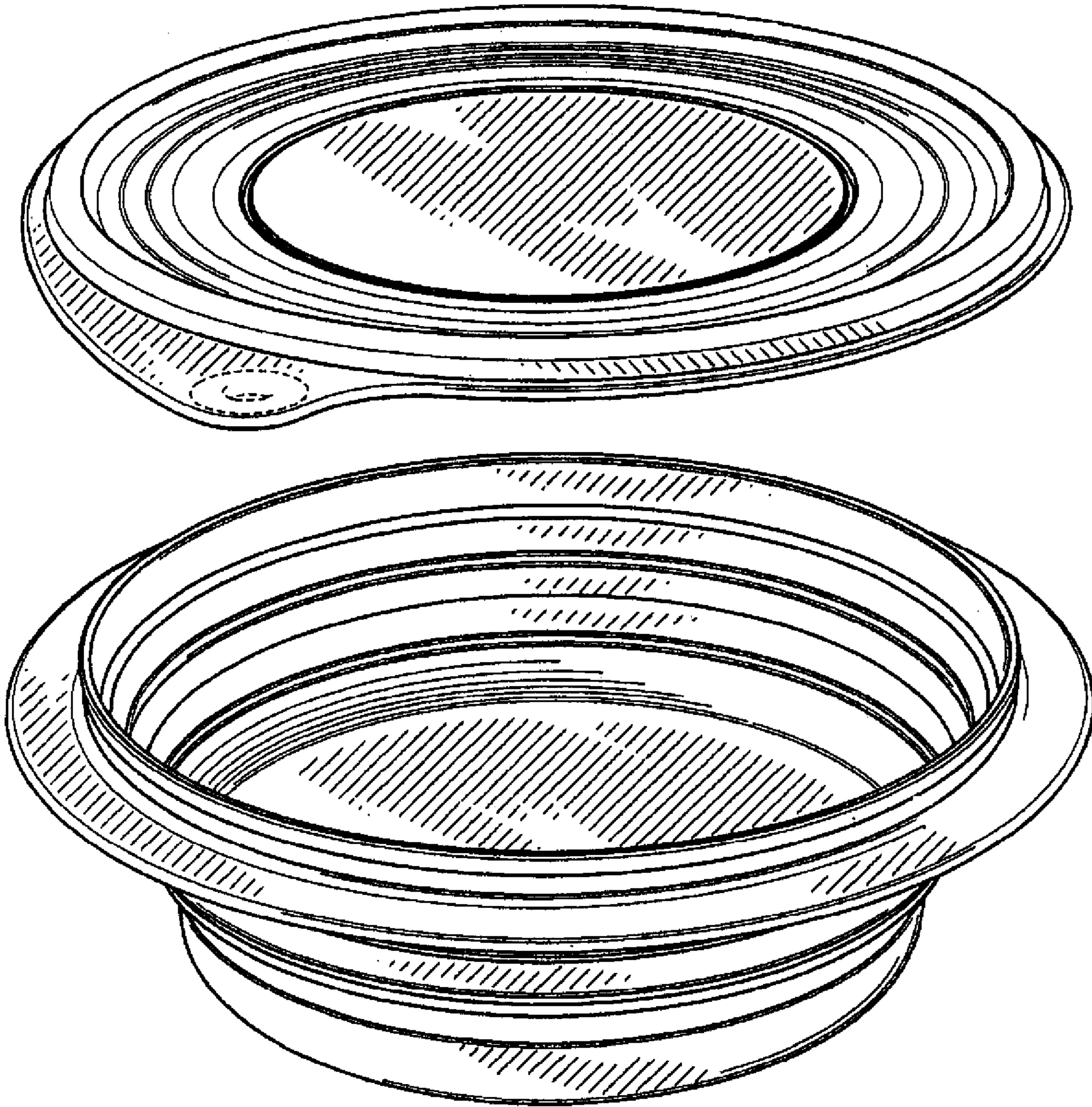


FIG. 16