



US00D545136S

(12) **United States Design Patent**
Bodum

(10) **Patent No.:** **US D545,136 S**

(45) **Date of Patent:** **** Jun. 26, 2007**

(54) **DECANTER**

D372,427 S * 8/1996 Jago et al. D9/500
D414,811 S * 10/1999 Base et al. D9/503

(75) Inventor: **Jørgen Bodum**, St. Niklausen (CH)

* cited by examiner

(73) Assignee: **Pi-Design AG**, Triengen (CH)

Primary Examiner—Terry A. Wallace

(**) Term: **14 Years**

(74) *Attorney, Agent, or Firm*—Cowan, Liebowitz & Latman PC

(21) Appl. No.: **29/251,350**

(57) **CLAIM**

(22) Filed: **Jan. 6, 2006**

The ornamental design for a decanter, as shown and described.

(30) **Foreign Application Priority Data**

DESCRIPTION

Jul. 8, 2005 (DK) DA 2005 00200

(51) **LOC (8) Cl.** **07-01**

FIG. 1 is a perspective view of the decanter showing a first embodiment of my design thereof;

(52) **U.S. Cl.** **D7/598; D7/300**

FIG. 2 is a front view thereof;

(58) **Field of Classification Search** D7/598,

FIG. 3 is a rear view thereof;

D7/300; D9/544–546; 215/6, 10, 381–384,

FIG. 4 is a left side view thereof;

215/400

FIG. 5 is a right side view thereof;

See application file for complete search history.

FIG. 6 is a top view thereof;

FIG. 7 is a bottom view thereof; and,

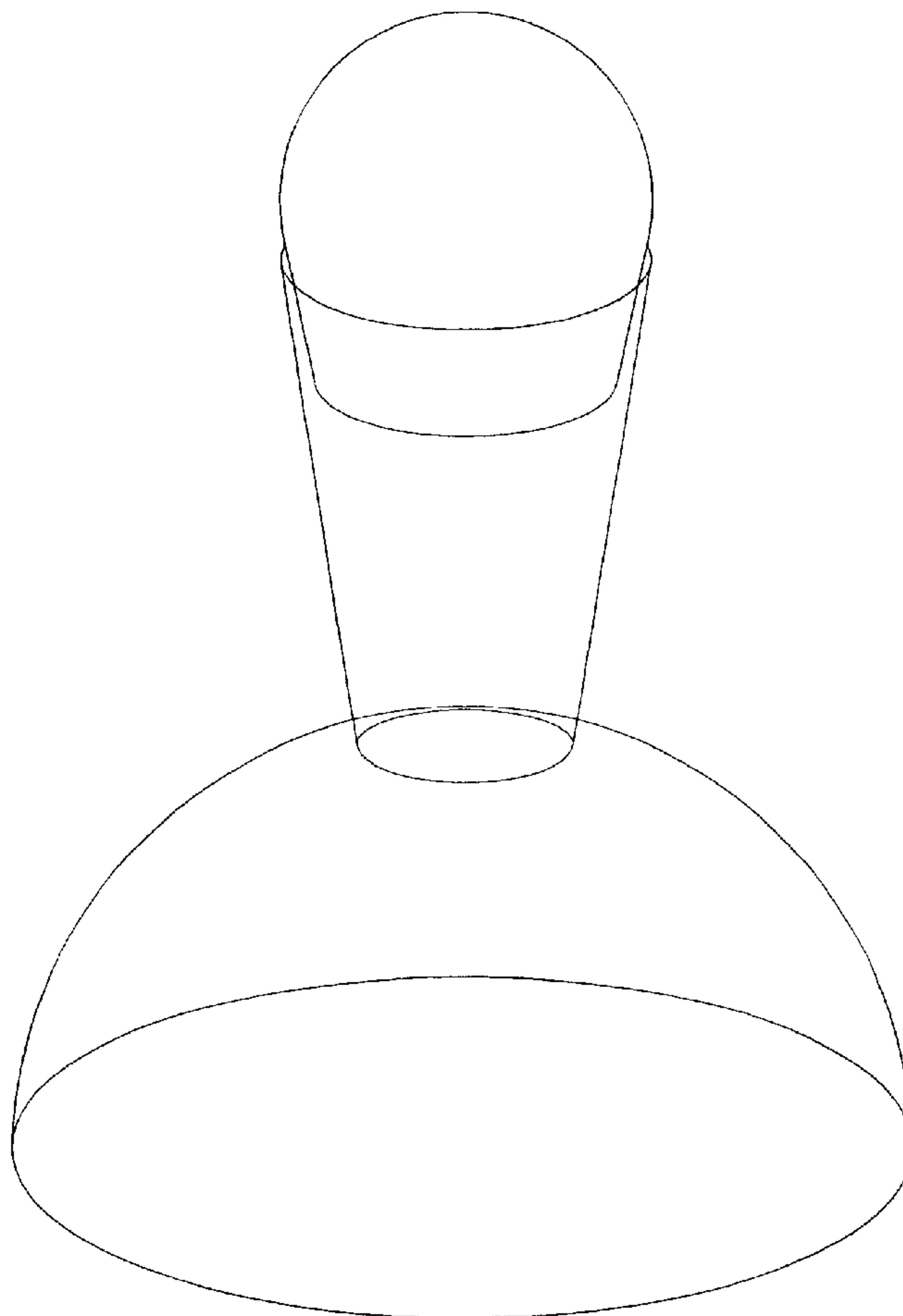
(56) **References Cited**

FIG. 8 is a cross-sectional view taken along line 8-8 of FIG. 6.

U.S. PATENT DOCUMENTS

D211,978 S * 8/1968 Douglas D7/300

1 Claim, 8 Drawing Sheets



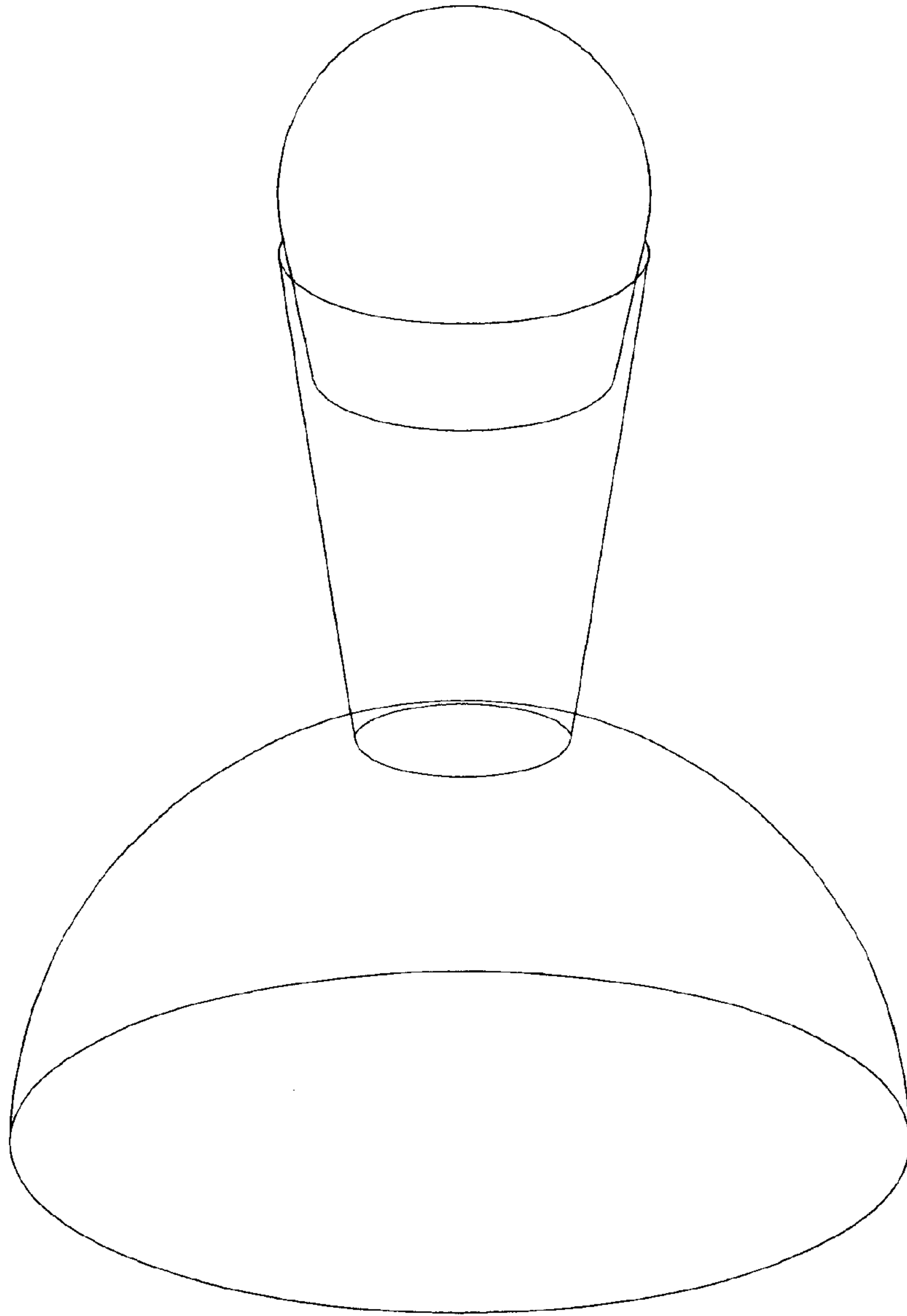


FIG. 1

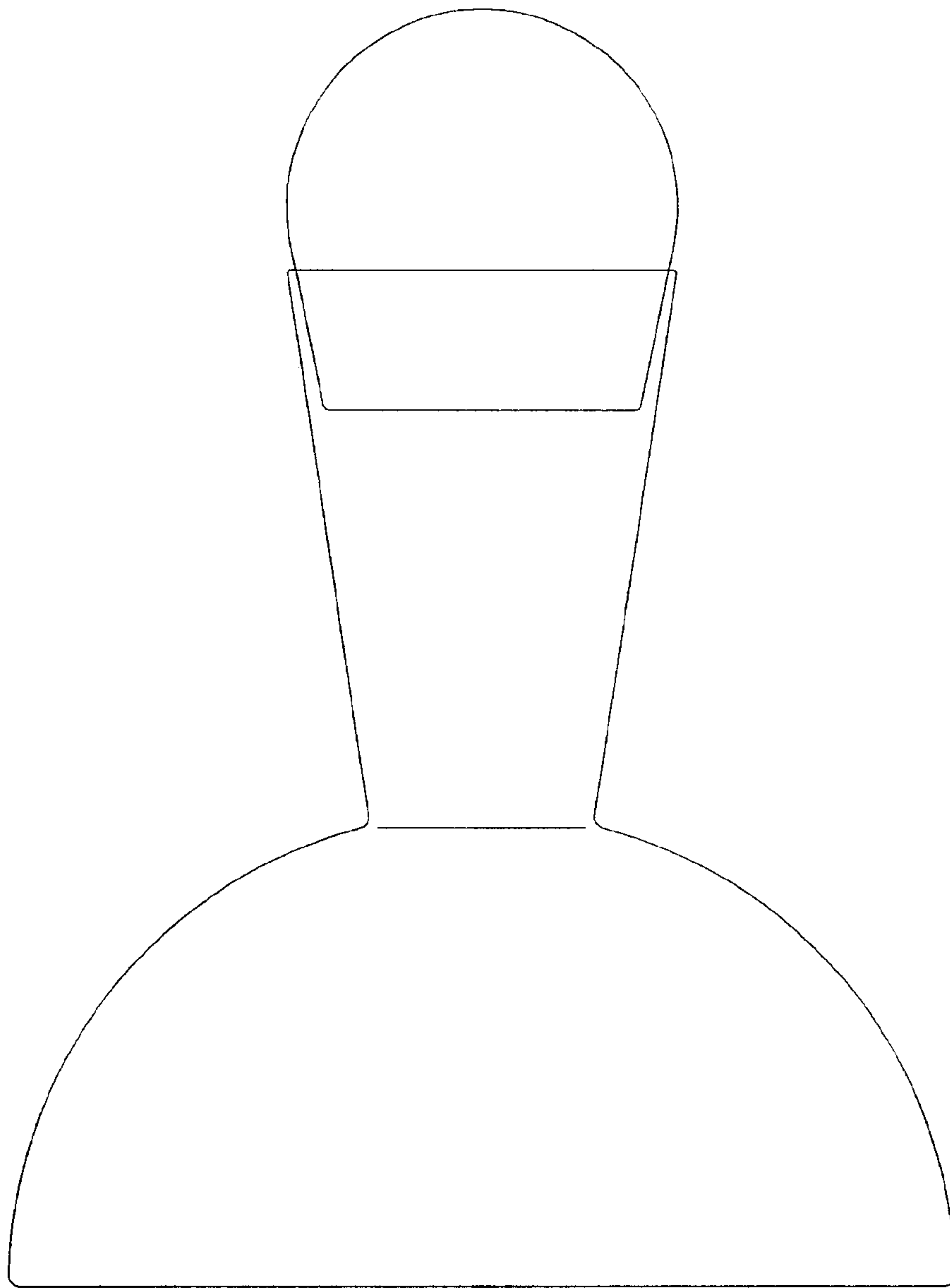


FIG. 2

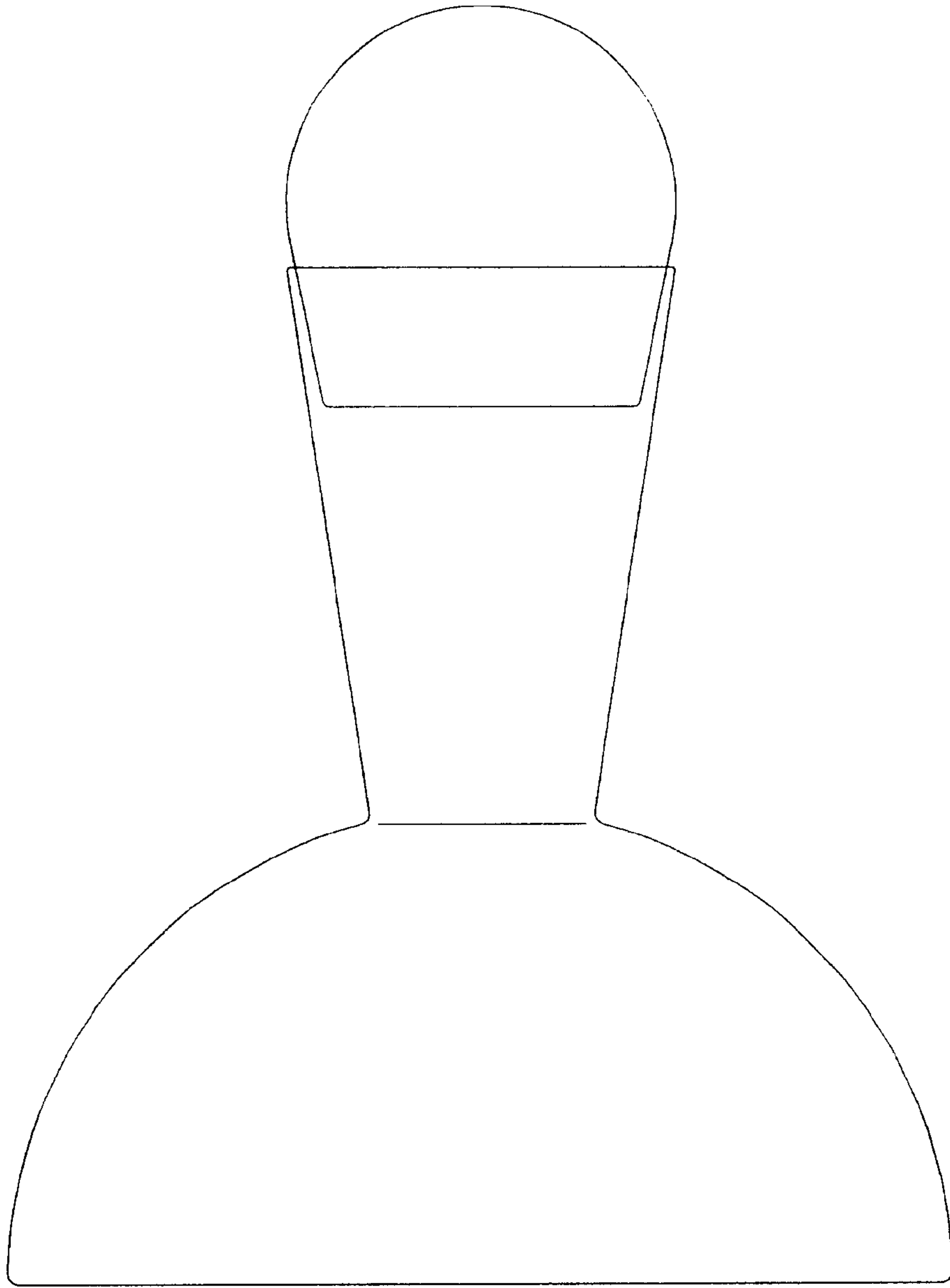


FIG. 3

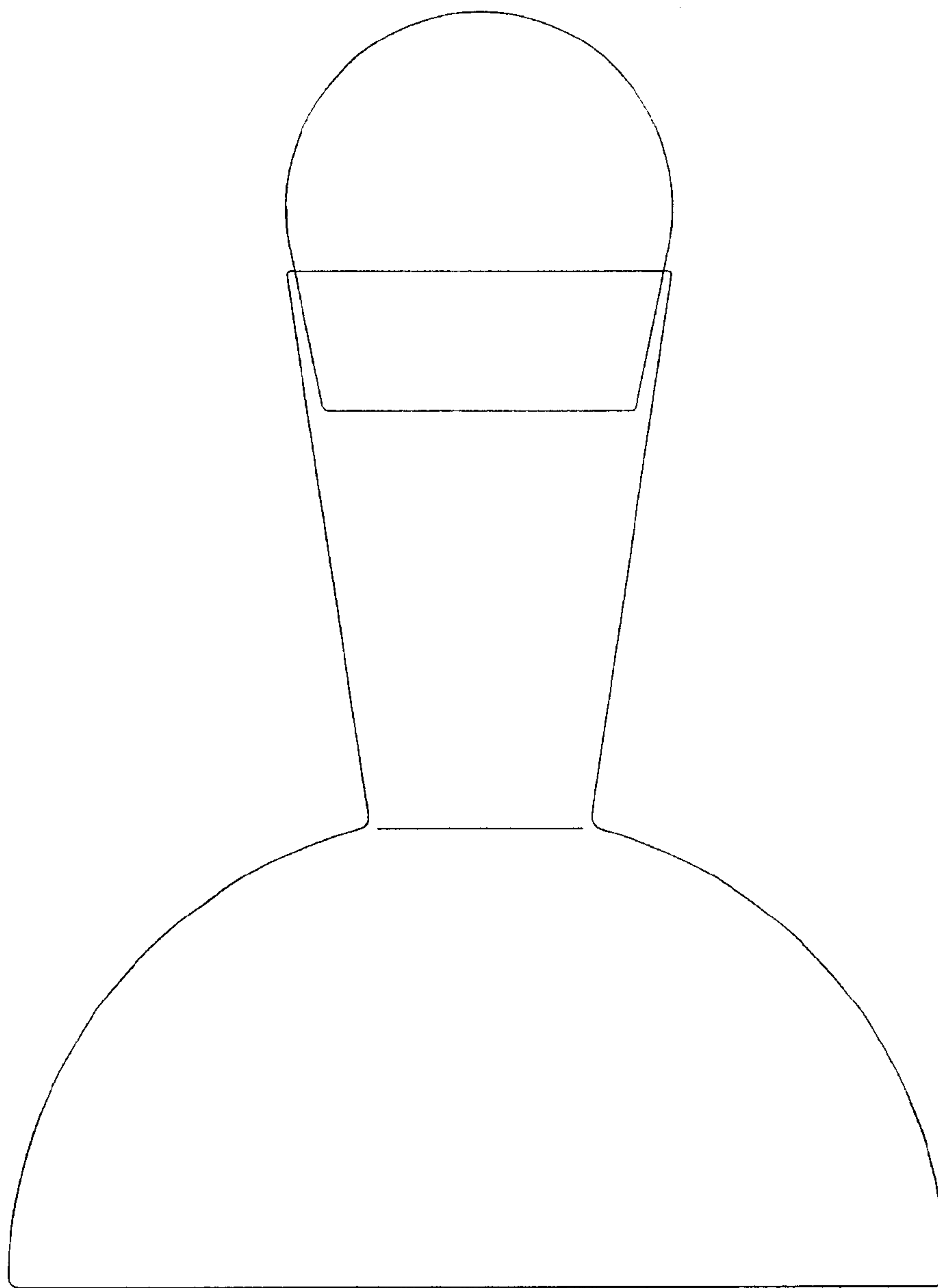


FIG. 4

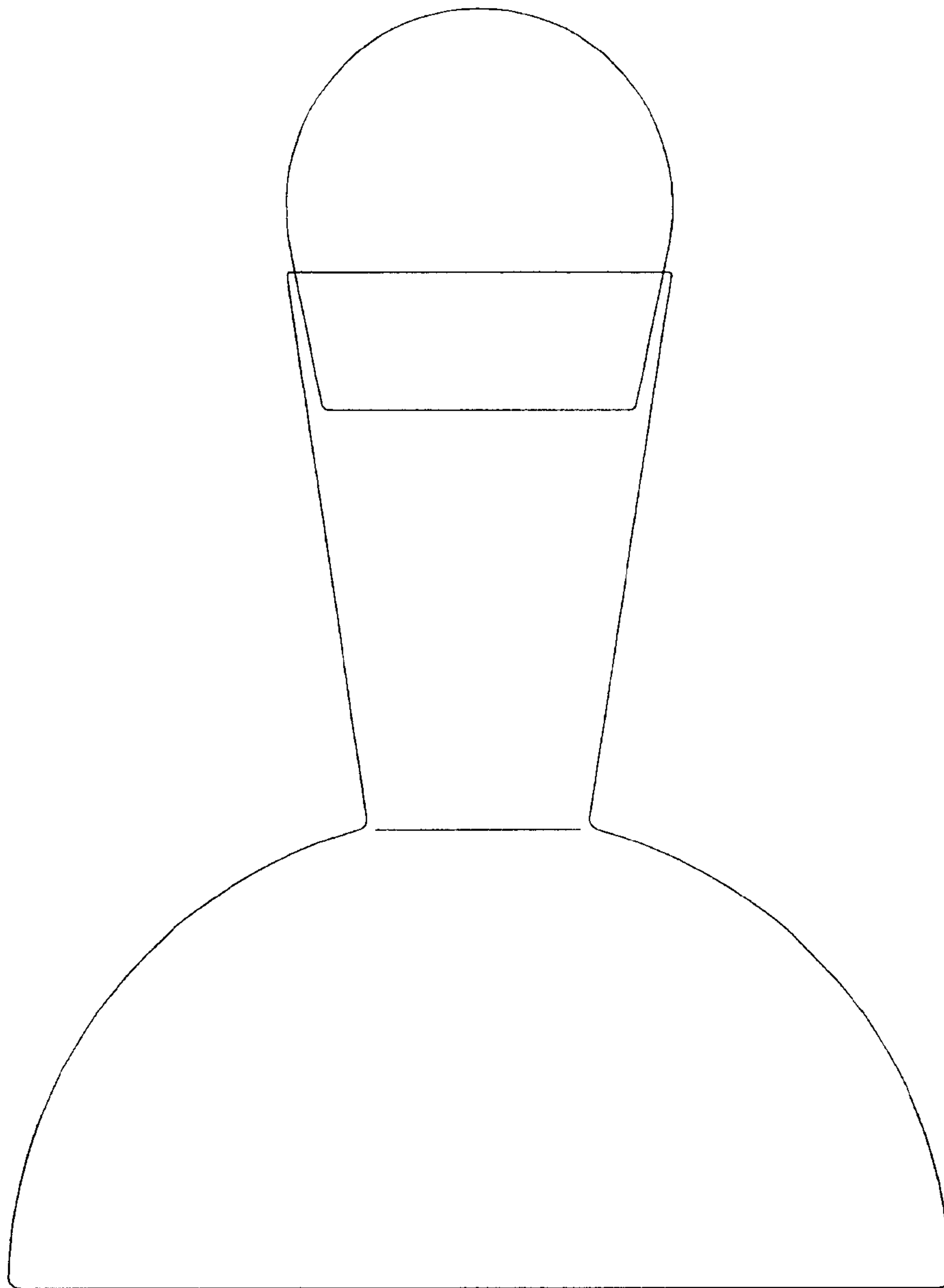


FIG. 5

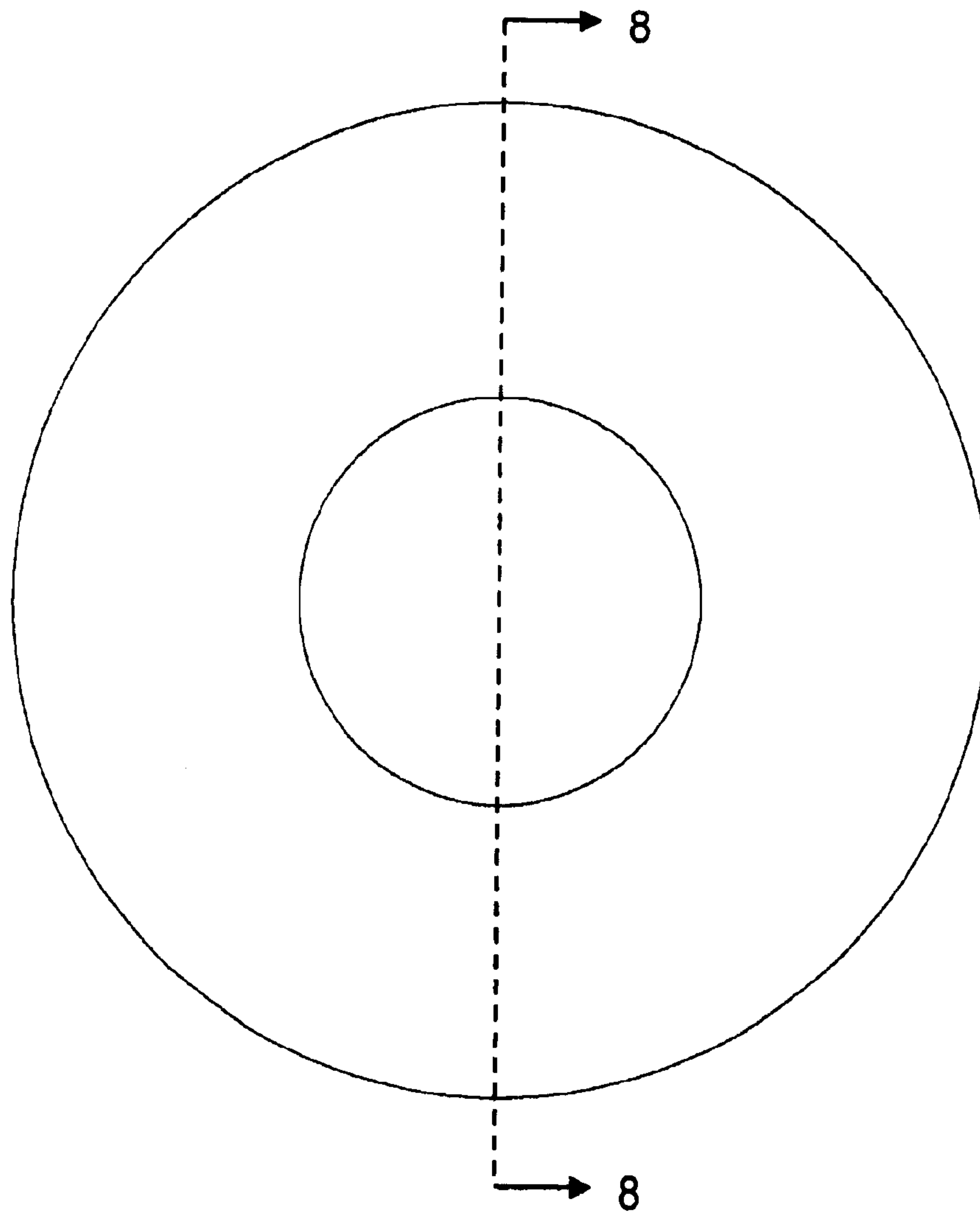


FIG. 6

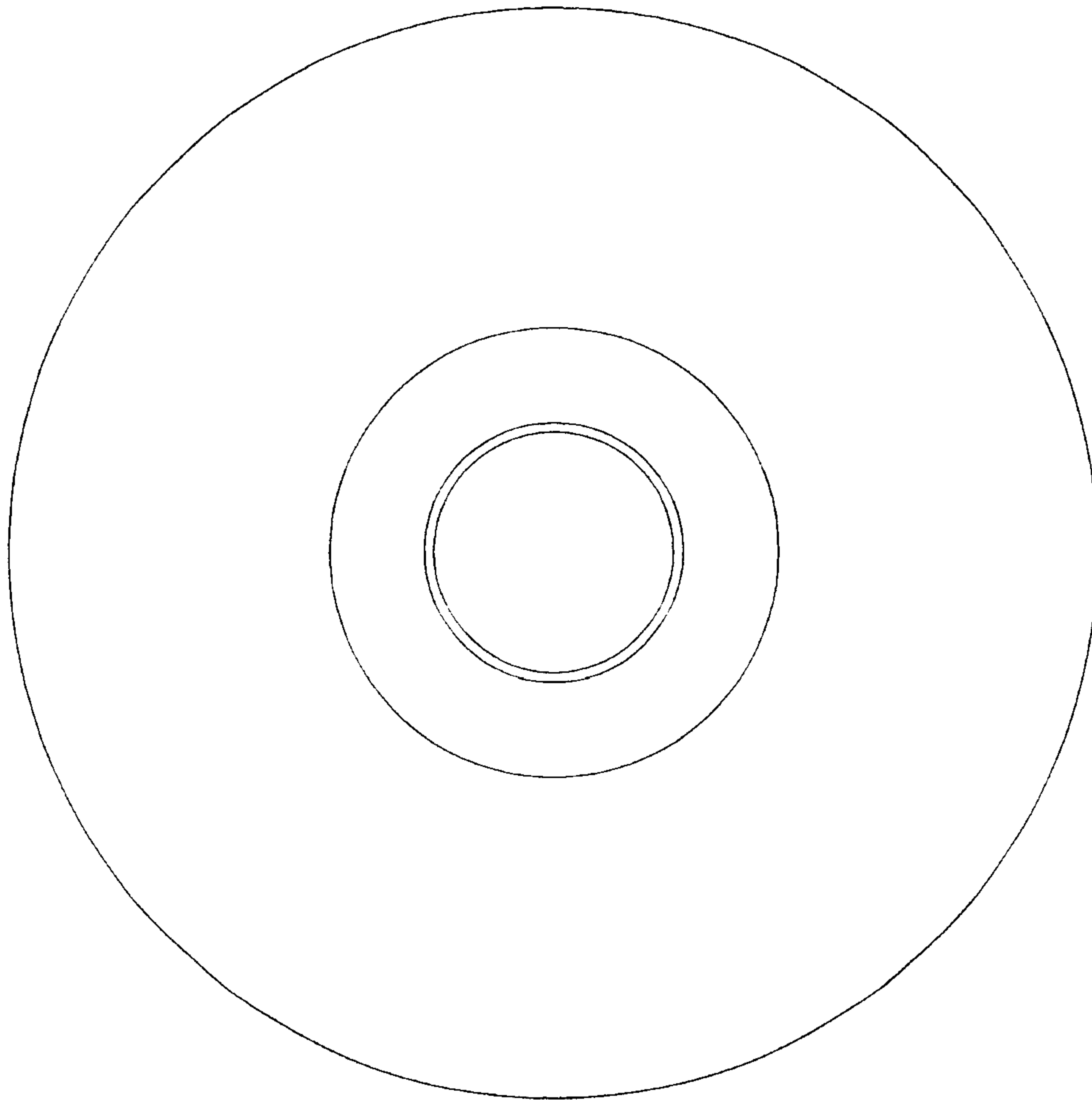


FIG. 7

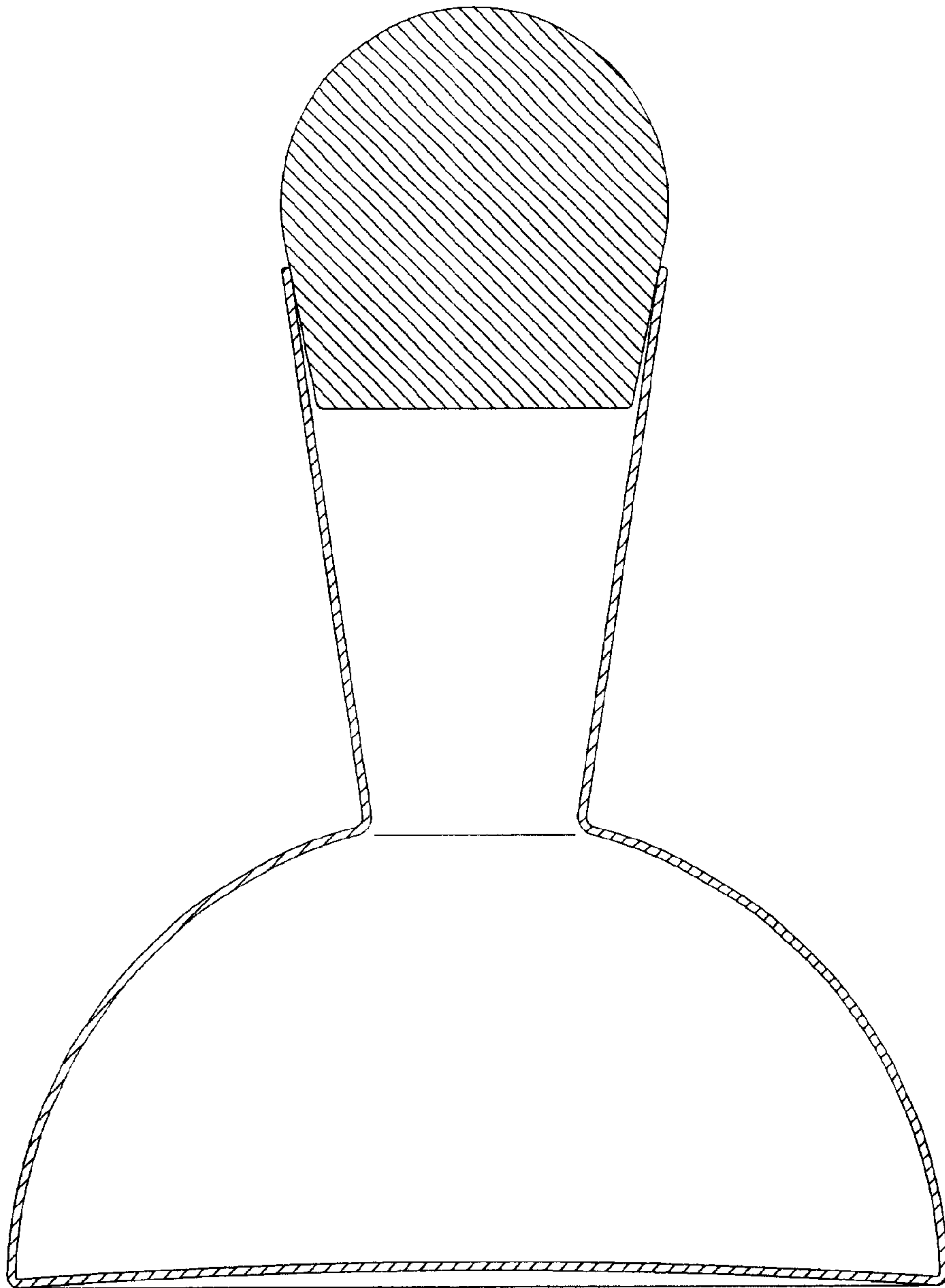


FIG. 8