

US00D545133S

(12) **United States Design Patent**
Wasserman et al.

(10) **Patent No.:** **US D545,133 S**
(45) **Date of Patent:** **** Jun. 26, 2007**

- (54) **DOUBLE WALLED METALLIC BOWL**
- (75) Inventors: **David M. Wasserman**, Whitefish Bay, WI (US); **Rebecca J. Schreiber-Pethan**, Sheboygan, WI (US)
- (73) Assignee: **The Vollrath Company, L.L.C.**, Sheboygan, WI (US)
- (**) Term: **14 Years**
- (21) Appl. No.: **29/238,860**
- (22) Filed: **Sep. 22, 2005**

- D113,511 S * 2/1939 Heller D7/565
- D209,307 S 11/1967 Schilling
- D214,678 S 7/1969 Weeber
- 3,792,809 A 2/1974 Schneider et al.
- D253,331 S * 11/1979 Olschewski D7/629
- D264,791 S 6/1982 Conti
- D264,792 S 6/1982 Conti
- D288,515 S 3/1987 Rimmeir
- D289,245 S 4/1987 Ritman
- D289,246 S 4/1987 Ritman
- D289,717 S 5/1987 Ritman
- D291,757 S 9/1987 Ritman
- D315,658 S 3/1991 Scherer
- D321,815 S 11/1991 Bowdler
- D325,112 S 4/1992 Thompson

- (51) **LOC (8) Cl.** **07-01**
- (52) **U.S. Cl.** **D7/565; D7/602; D7/586; D7/584**
- (58) **Field of Classification Search** D7/500, D7/523, 528, 532, 538, 540, 547, 565, 566, D7/584, 531, 560, 354-358, 392.1, 545, 542, D7/562, 586, 587, 602, 570-572, 608, 502, D7/510, 511, 524, 526, 527, 530, 539, 561, D7/568; D9/738, 739, 502, 504, 516, 535, D9/539, 555, 500; 220/560, 574, 495.3
See application file for complete search history.

- (56) **References Cited**
U.S. PATENT DOCUMENTS
- 184,814 A 11/1876 Adam
- D15,753 S * 1/1885 Knowles et al. D7/565
- 1,093,648 A 4/1914 Potter
- D50,194 S 1/1917 Haley
- D50,398 S 2/1917 Miller
- D50,401 S 2/1917 Miller
- 1,607,864 A 11/1926 Butler
- D75,939 S 7/1928 Tennhardt
- D94,245 S 1/1935 Sebring, Jr. et al.
- 2,050,206 A 8/1936 Chaplin
- D101,861 S * 11/1936 Ebeling D7/586

(Continued)

Primary Examiner—Philip S. Hyder
Assistant Examiner—Cynthia Underwood
(74) *Attorney, Agent, or Firm*—Foley & Lardner LLP

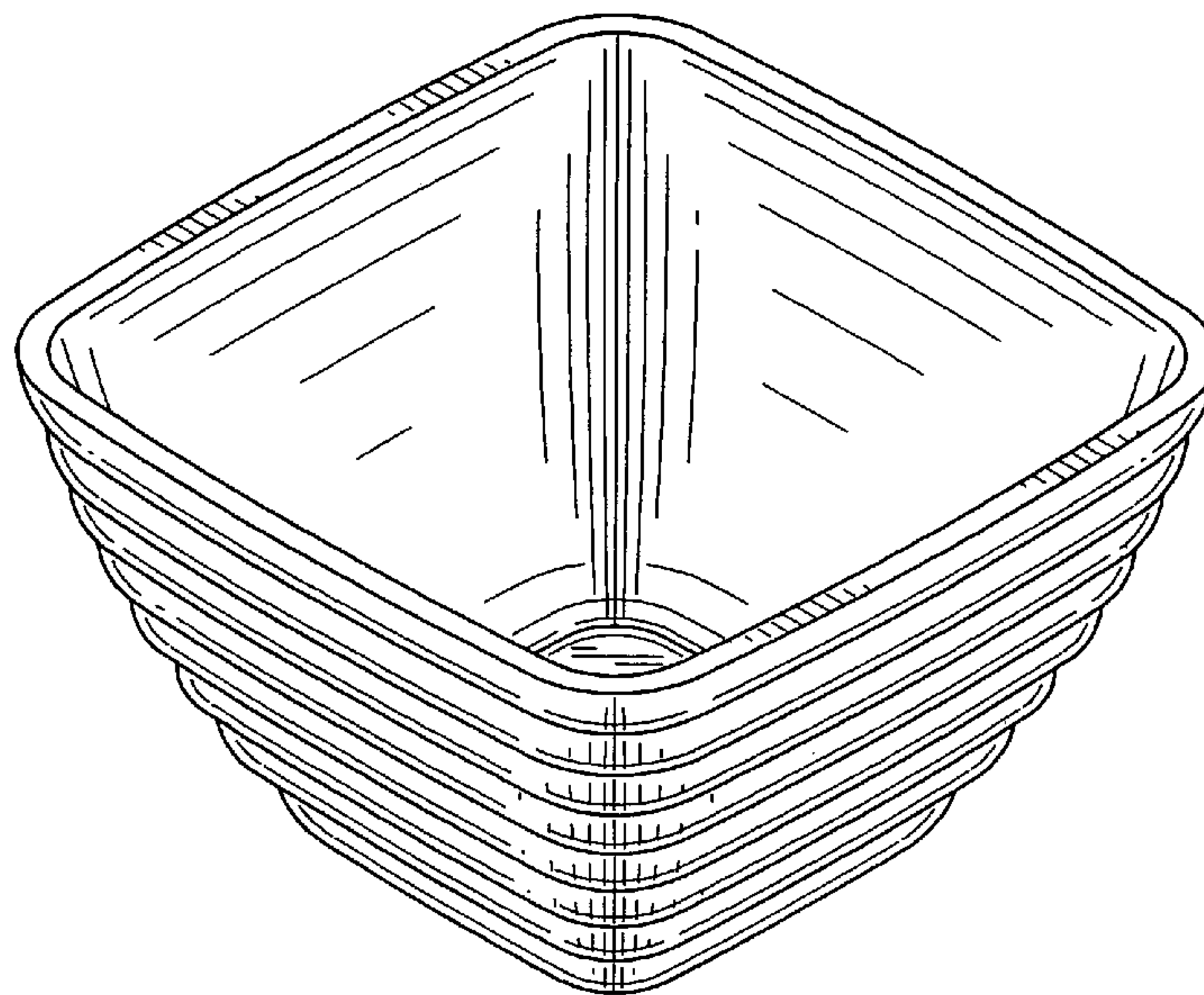
(57) **CLAIM**

We claim the ornamental design for a double walled metallic bowl, as shown and described.

DESCRIPTION

FIG. 1 is a top perspective view of one embodiment of a design for a double walled metallic bowl;
FIG. 2 is a front elevational view thereof, the rear elevational view, left end elevational view and right end elevational view being the same as the front elevational view shown;
FIG. 3 is a top plan view thereof;
FIG. 4 is bottom plan view thereof; and,
FIG. 5 is a sectional view thereof taken along line 5—5 of FIG. 3.

1 Claim, 3 Drawing Sheets



US D545,133 S

Page 2

U.S. PATENT DOCUMENTS					
			D443,467 S *	6/2001	Bradley D7/360
			D443,476 S	6/2001	Miura
			D456,211 S	4/2002	Price
			D457,389 S	5/2002	Snell
			D458,807 S	6/2002	Trazzi
			D459,946 S	7/2002	Willat
			D471,404 S	3/2003	Gady
			D471,406 S	3/2003	Wellner
			D478,476 S	8/2003	Wellner
			D478,477 S	8/2003	Tisdale et al.
			D480,269 S	10/2003	Currier
			D481,262 S	10/2003	Tisdale et al.
			D485,127 S	1/2004	Maier-Aichen
			D488,352 S	4/2004	Tisdale et al.
			D491,019 S	6/2004	Marsden et al.
			D494,062 S	8/2004	Willis
			D494,419 S	8/2004	Armer
			D495,211 S	8/2004	Brown et al.
			D527,942 S *	9/2006	Czebiniak D7/360
5,172,826 A	12/1992	Celaya			
D340,617 S	10/1993	Douglas			
D345,716 S	4/1994	Kwiatkowski			
D360,558 S	7/1995	Appleman			
D362,155 S	9/1995	Yee			
D362,594 S	9/1995	McEntee			
D367,413 S	2/1996	Ballin			
D371,939 S	7/1996	Rigney			
5,706,980 A	1/1998	Dickerson			
D411,288 S	6/1999	Cuttriss			
5,934,472 A	8/1999	Ramirez et al.			
D414,080 S *	9/1999	Bolwien D7/602			
D424,879 S	5/2000	Biber			
D428,770 S	8/2000	Wellner			
D428,771 S	8/2000	Novi			
D432,362 S	10/2000	Fait			
D442,019 S	5/2001	Wyche			
D442,425 S	5/2001	Wyche			
D443,049 S *	5/2001	Kuo D23/293.1			
			* cited by examiner		

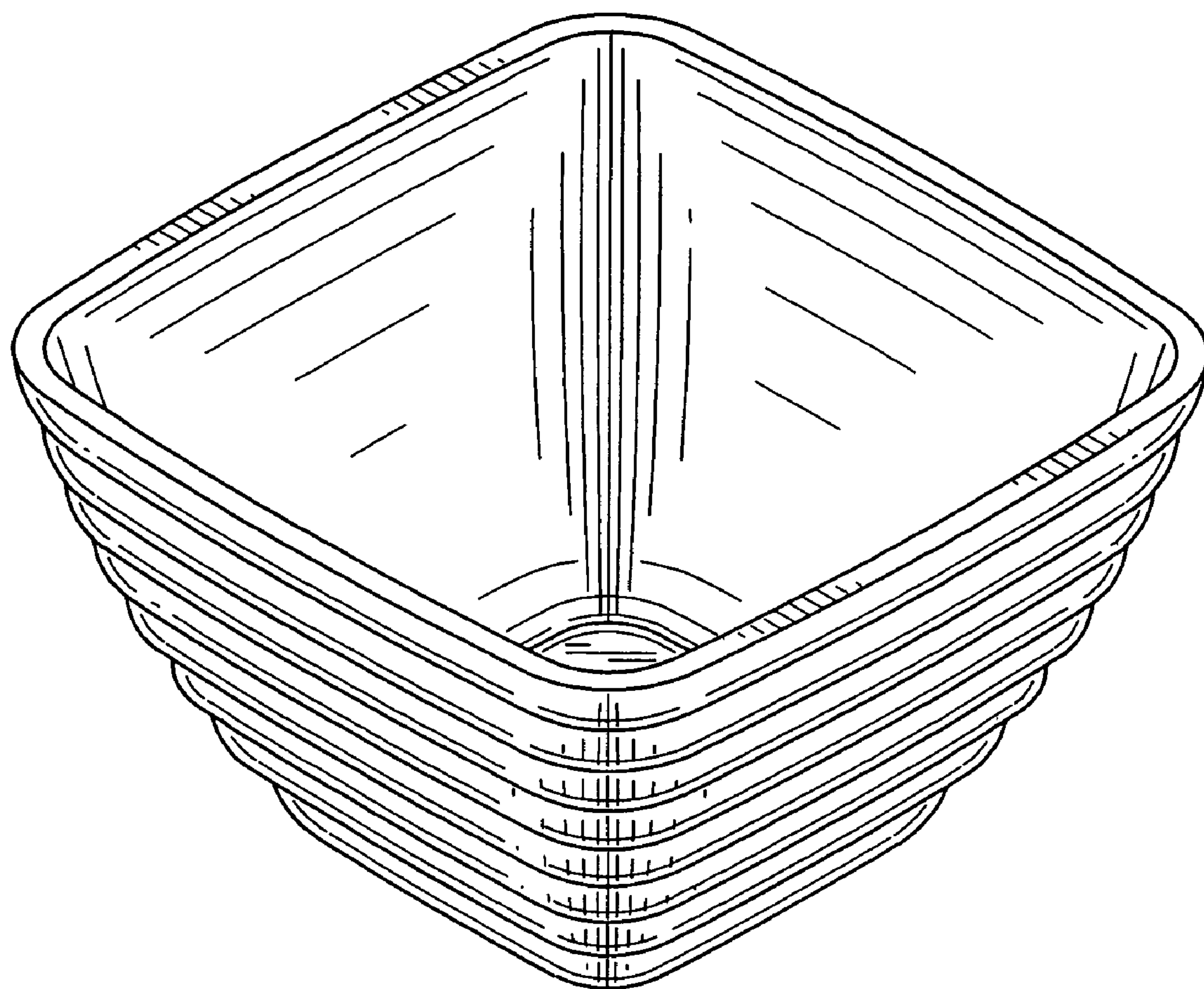


FIG. 1

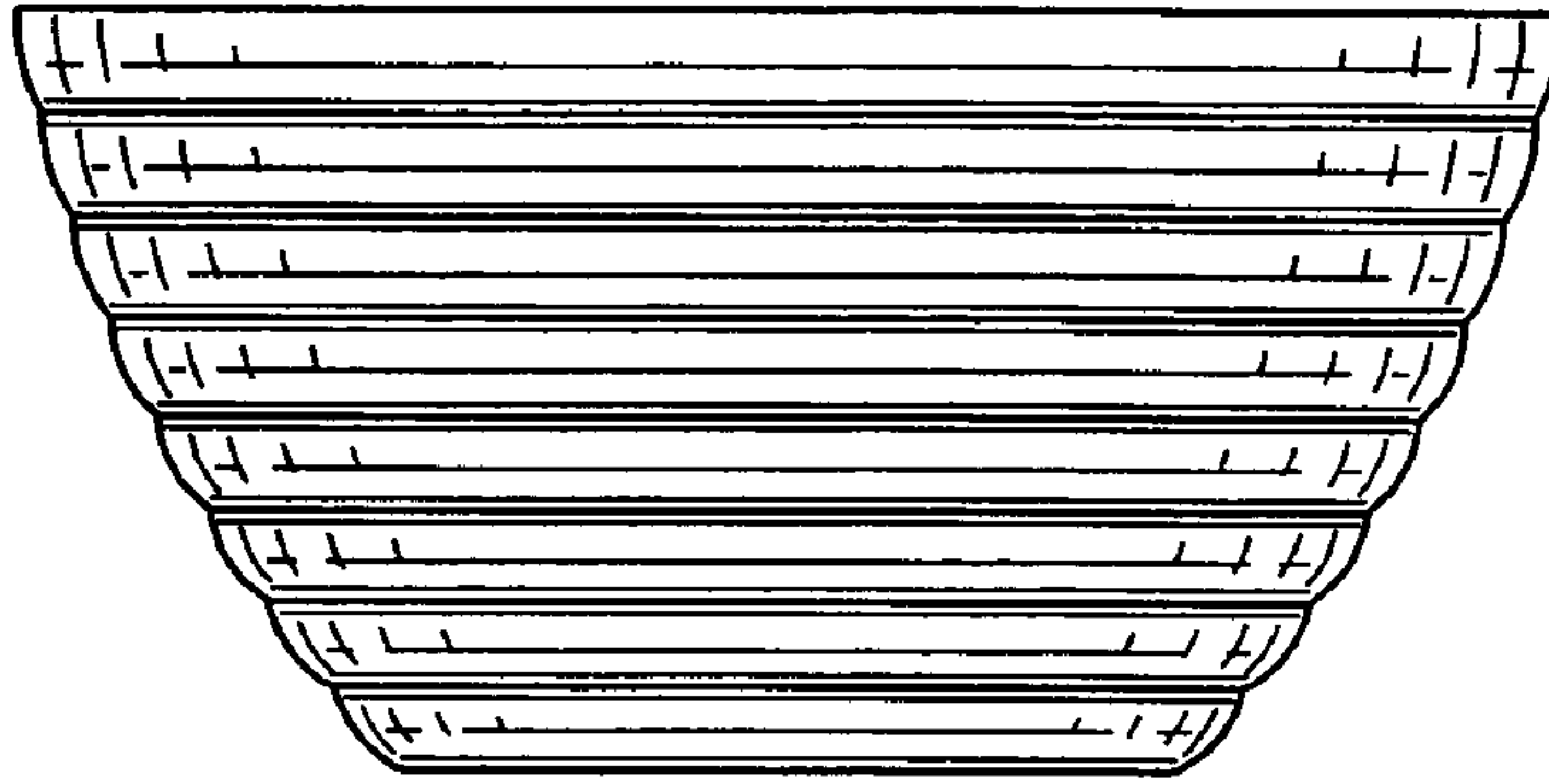


FIG. 2

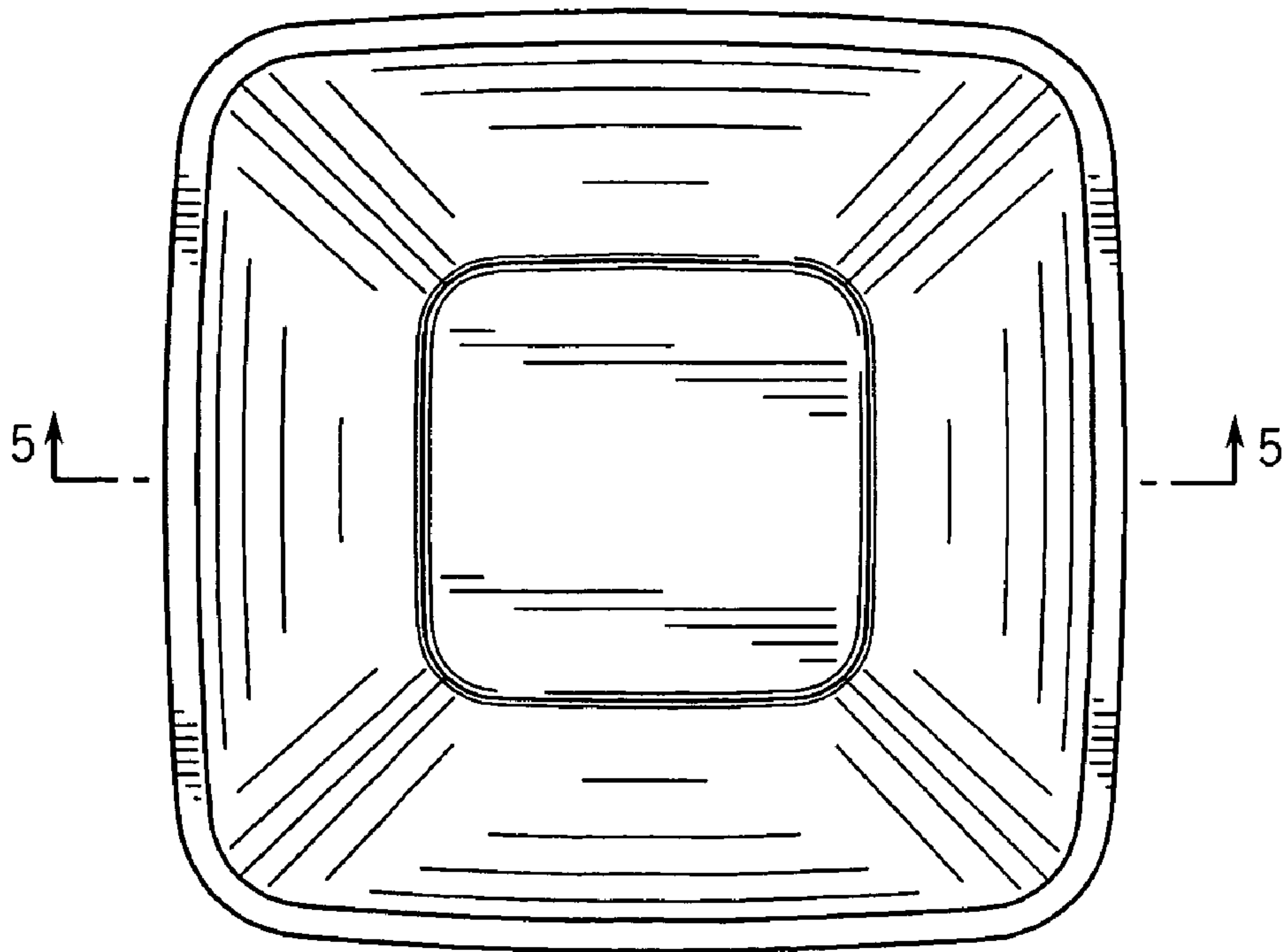


FIG. 3

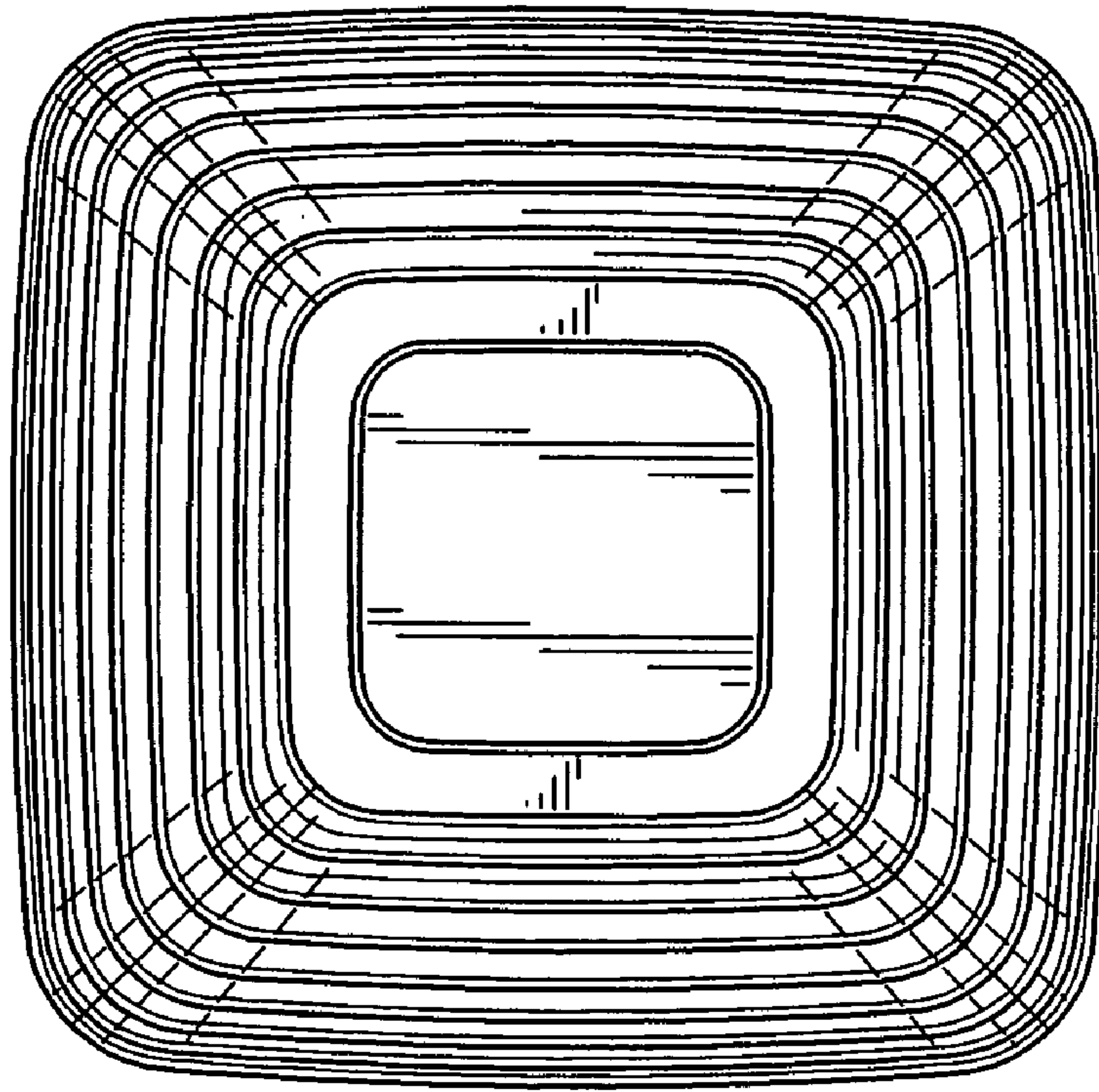


FIG. 4

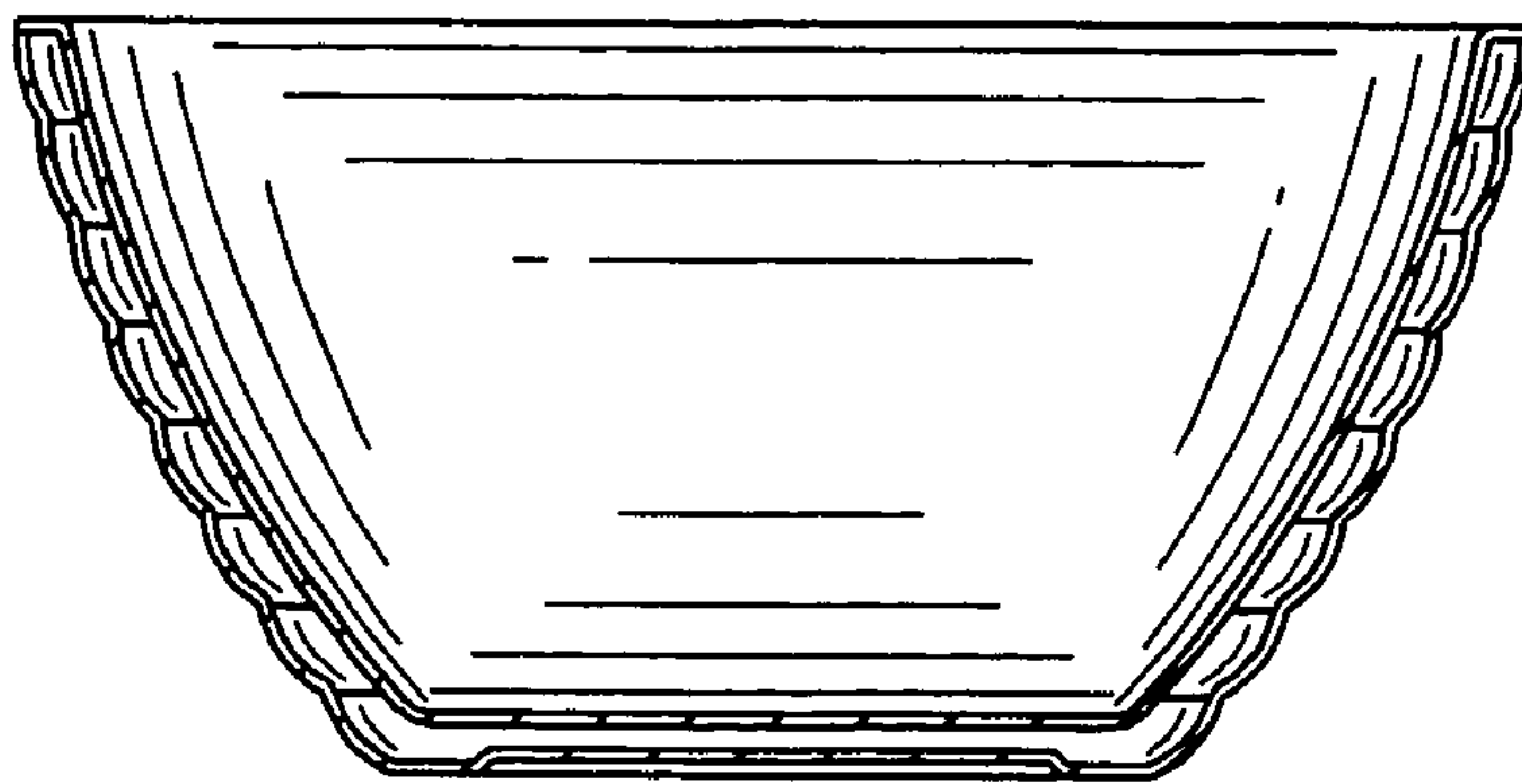


FIG. 5