

US00D545132S

(12) **United States Design Patent**
Bhavnani

(10) **Patent No.:** **US D545,132 S**

(45) **Date of Patent:** **** Jun. 26, 2007**

(54) **COMBINATION MUG**

(75) Inventor: **Dilip Bhavnani**, Beverly Hills, CA
(US)

(73) Assignee: **Sun Coast Merchandise Corporation**,
Commerce, CA (US)

(**) Term: **14 Years**

(21) Appl. No.: **29/245,239**

(22) Filed: **Dec. 20, 2005**

(51) **LOC (8) Cl.** **07-01**

(52) **U.S. Cl.** **D7/536**

(58) **Field of Classification Search** D7/392-394,
D7/509-511, 523, 531-533, 536, 605, 608,
D7/619.1, 622, 624.2; 215/382, 384, 386-388,
215/392, 394, 396, 398, DIG. 7; 220/62.12,
220/592.17, 669, 696, 710, 710.5, 711, 713,
220/715, 719, 739

See application file for complete search history.

(56) **References Cited**

U.S. PATENT DOCUMENTS

D267,765 S *	2/1983	Hankin	D7/535
D313,535 S *	1/1991	Unger	D7/535
D317,100 S *	5/1991	Unger	D7/509
D318,980 S *	8/1991	Unger	D7/536
D320,328 S *	10/1991	Unger	D7/536
D328,006 S *	7/1992	Unger	D7/536
D409,446 S *	5/1999	St. John et al.	D7/536
5,988,419 A *	11/1999	St John	215/398
D442,829 S *	5/2001	Trombly	D7/536
D447,005 S *	8/2001	Trombly	D7/536
D462,579 S *	9/2002	Janky	D7/536
D462,876 S *	9/2002	Janky et al.	D7/536
D470,015 S *	2/2003	Kortleven et al.	D7/536
D473,105 S *	4/2003	Ayers et al.	D7/536

D485,730 S *	1/2004	Thun	D7/511
D488,028 S *	4/2004	Janky et al.	D7/536
D499,609 S *	12/2004	Bodum	D7/536
D519,785 S *	5/2006	Bodum	D7/523
D522,312 S *	6/2006	Bodum	D7/536
D524,107 S	7/2006	El-Saden et al.		
2006/0163262 A1	7/2006	El-Saden et al.		

OTHER PUBLICATIONS

U.S. Appl. No. 29/250,067, filed Oct. 31, 2006, Bhavnani.

* cited by examiner

Primary Examiner—T. Chase Nelson

Assistant Examiner—Karen Acker

(74) *Attorney, Agent, or Firm*—The Soni Law Firm

(57) **CLAIM**

The ornamental design for a combination mug, as shown and described.

DESCRIPTION

FIG. 1 is a front side perspective view of the present invention showing my new design with the phantom lines forming no part of the claimed invention;

FIG. 2 is a front view thereof with the phantom lines forming no part of the claimed invention;

FIG. 3 is a top view thereof with the phantom lines forming no part of the claimed invention;

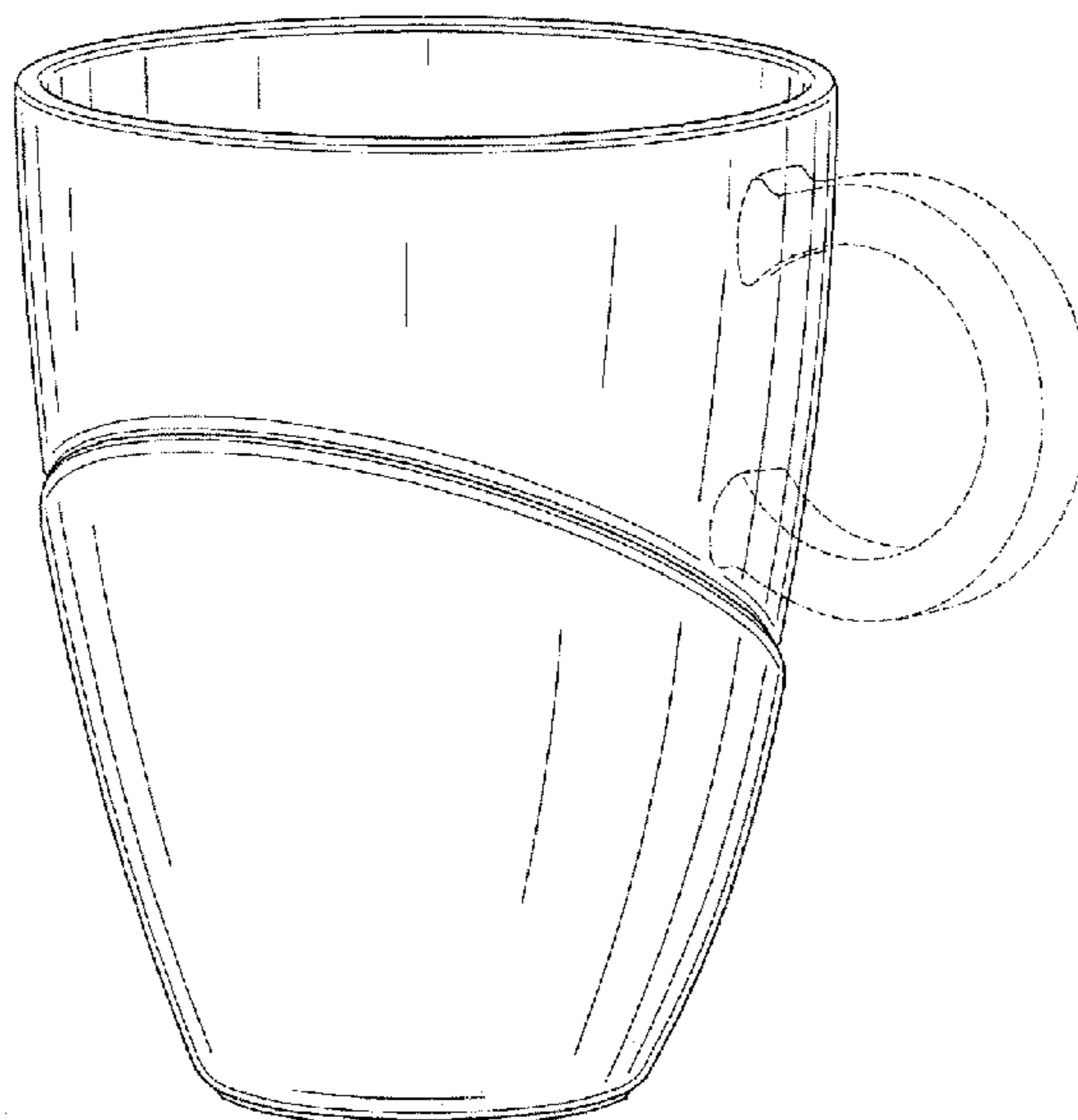
FIG. 4 is a side view thereof with the phantom lines forming no part of the claimed invention;

FIG. 5 is a side view thereof;

FIG. 6 is a back view thereof with the phantom lines forming no part of the claimed invention; and,

FIG. 7 is a bottom view thereof with the phantom lines forming no part of the claimed invention.

1 Claim, 3 Drawing Sheets



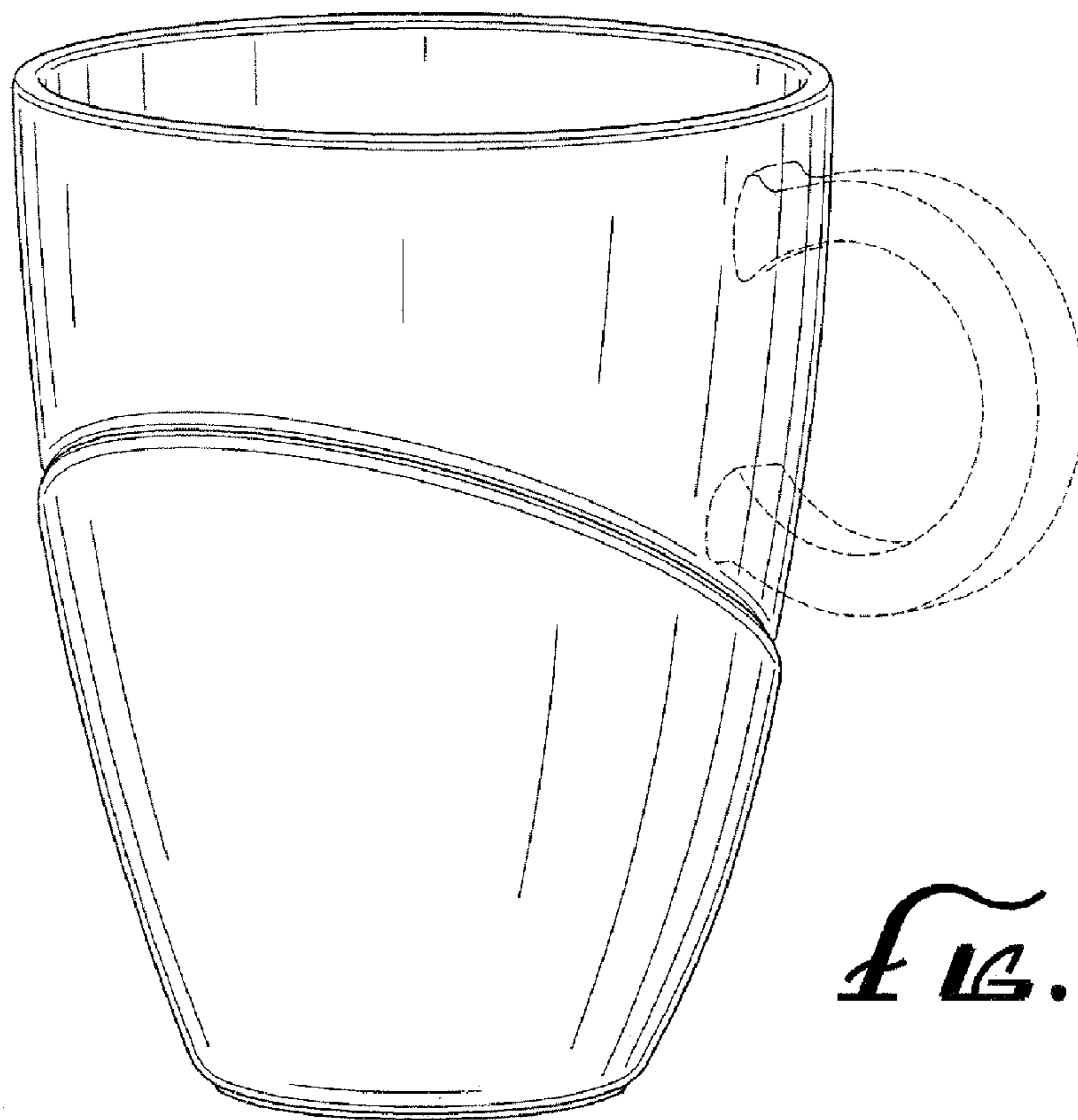


FIG. 1

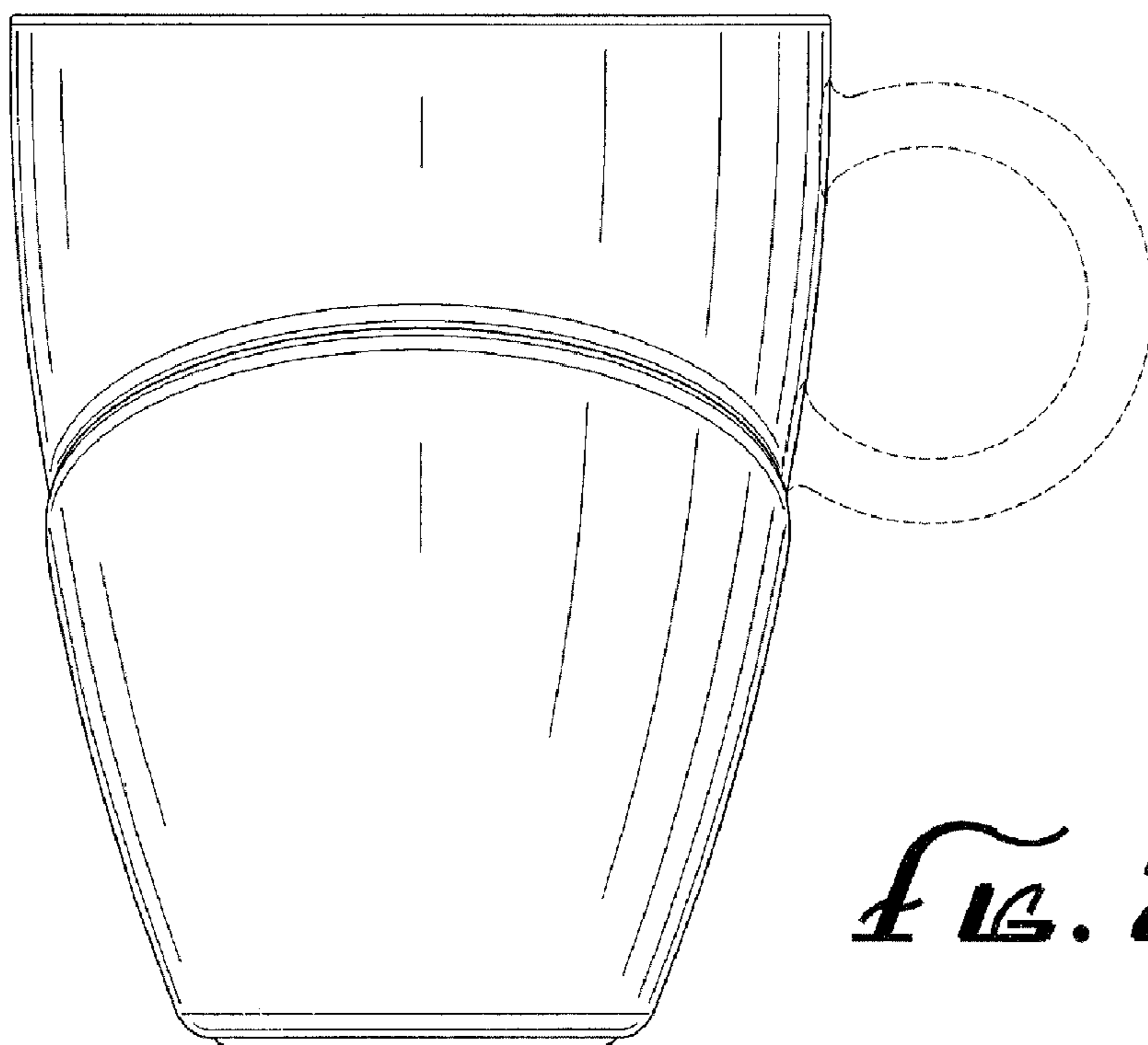


FIG. 2

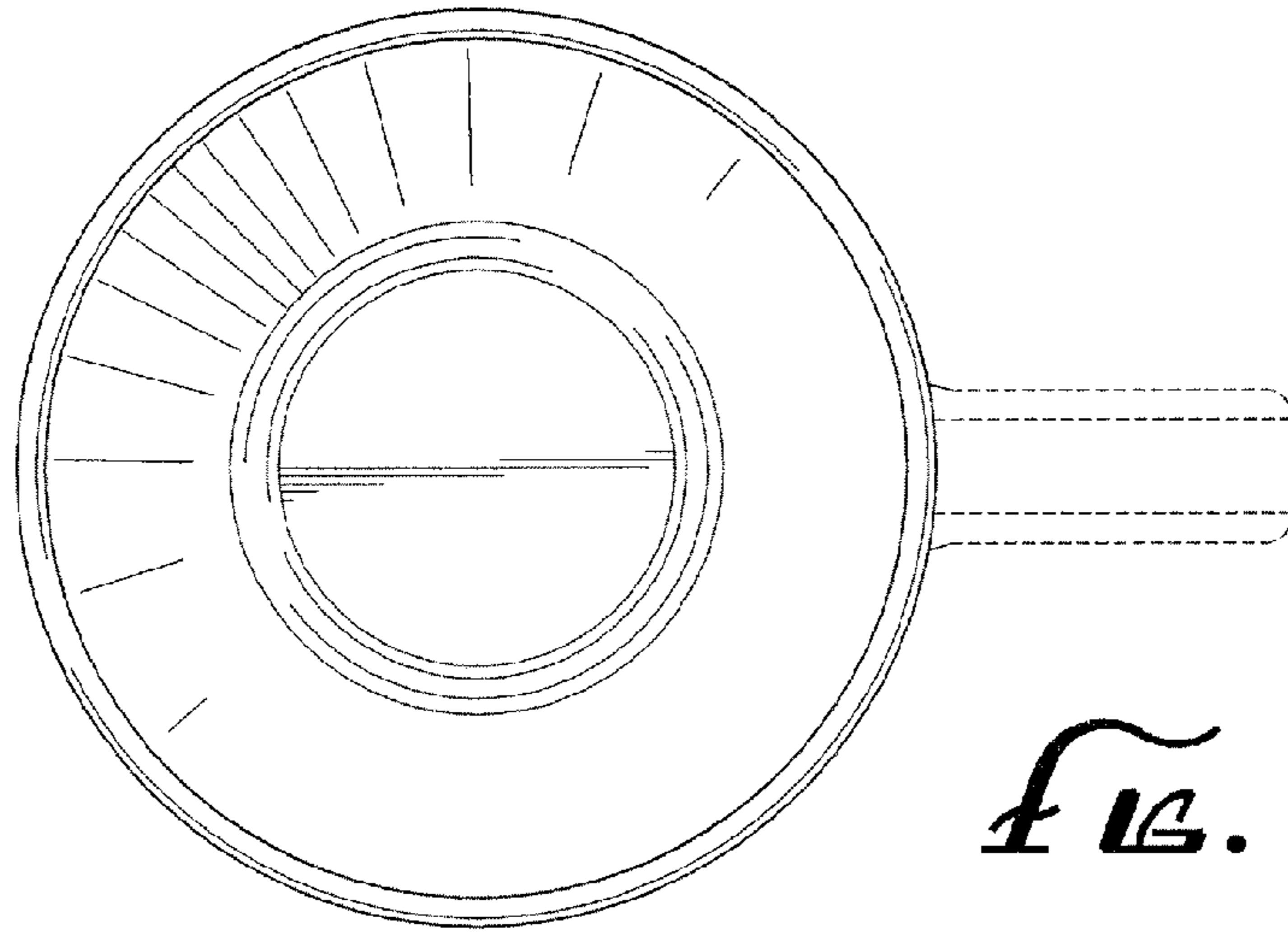


FIG. 3

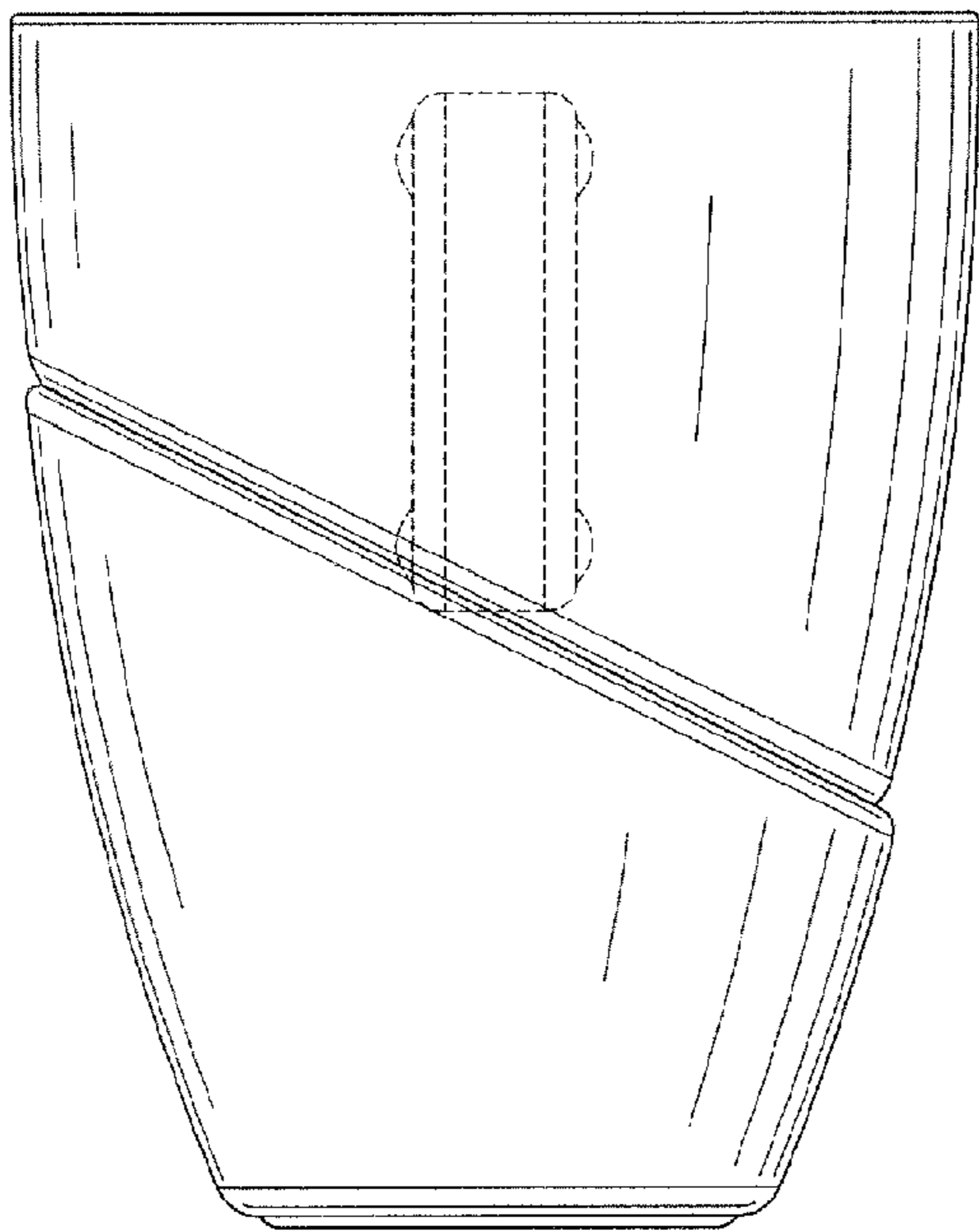


FIG. 4

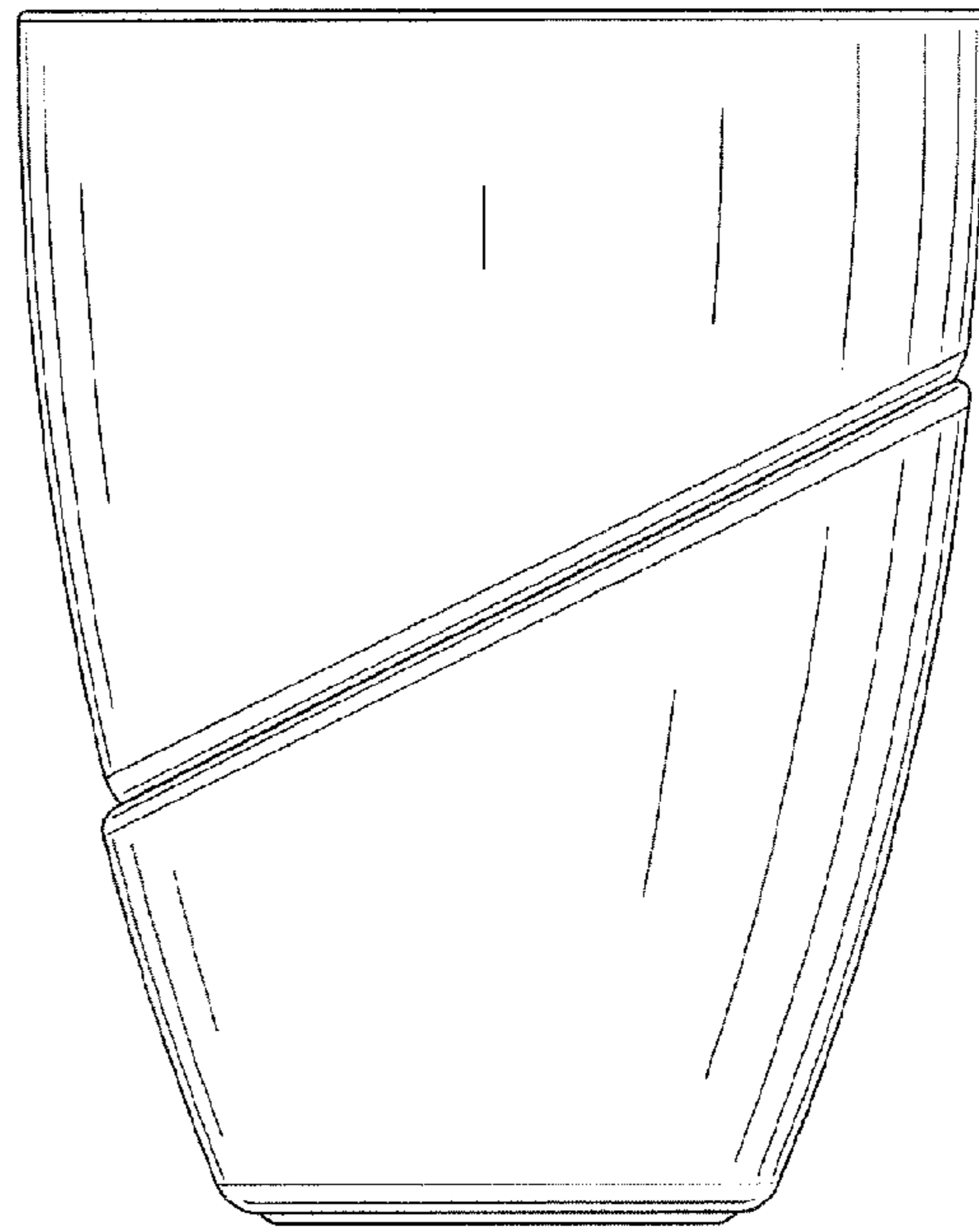


FIG. 5

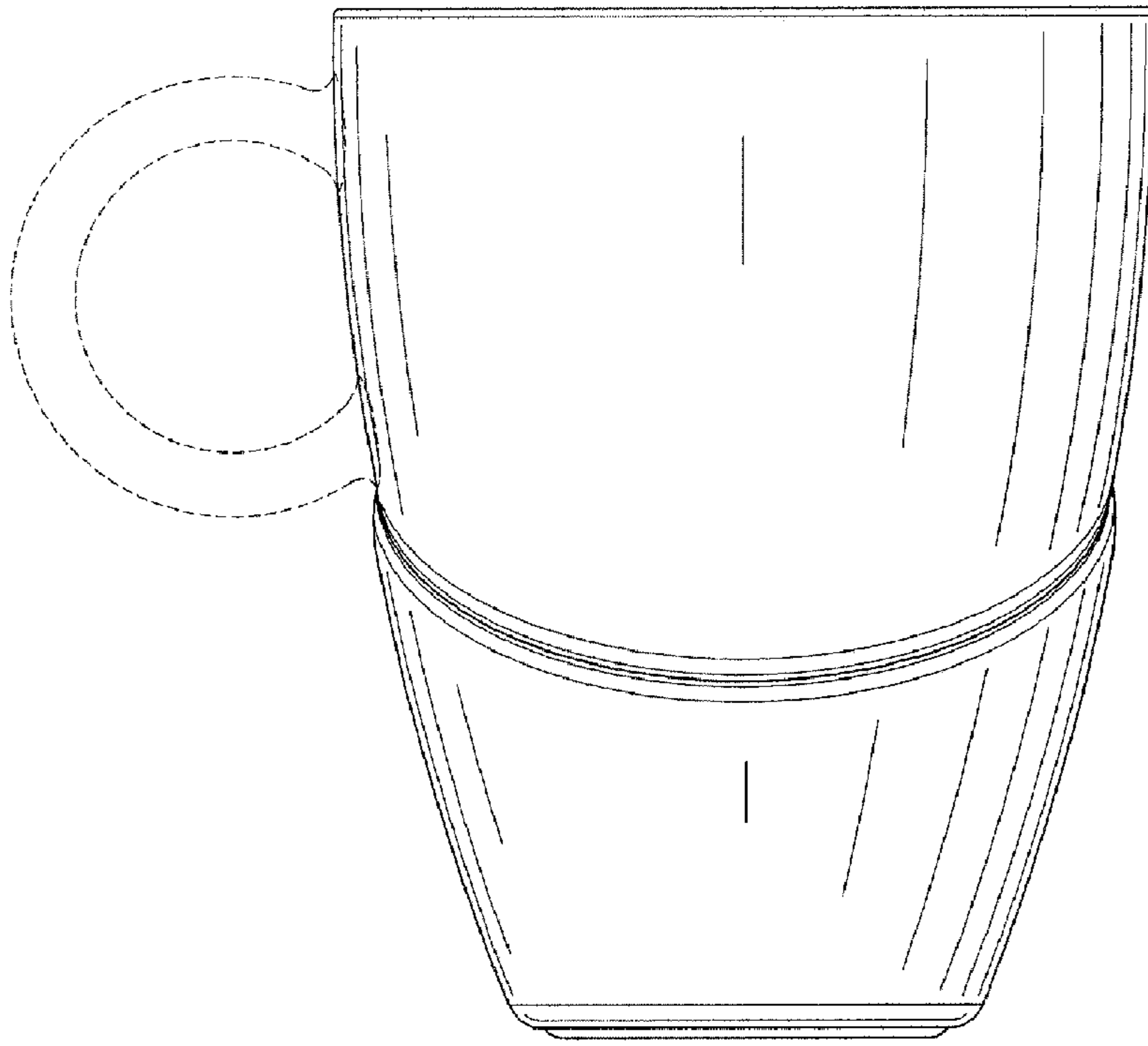


FIG. 6

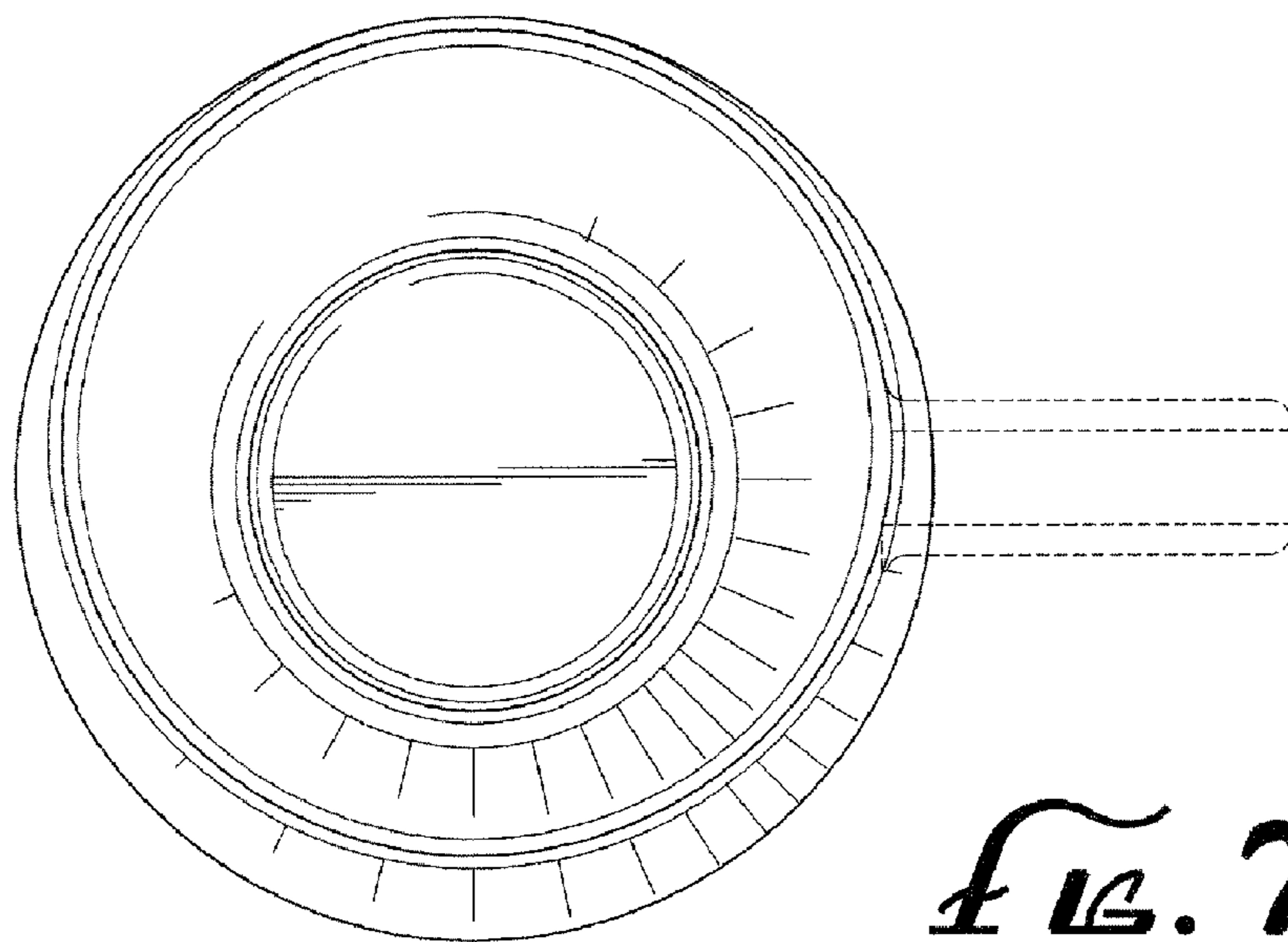


FIG. 7