

US00D545128S

(12) **United States Design Patent**
Liu et al.

(10) **Patent No.:** **US D545,128 S**
(45) **Date of Patent:** **** Jun. 26, 2007**

(54) **HEATED TRAVEL MUG**

(75) Inventors: **Chih-Hsiang Liu**, Changhua (TW);
Shu-Fen Li, Changhua (TW)

(73) Assignee: **J Sheng Co., Ltd.**, Changhua Hsien
(TW)

(**) Term: **14 Years**

(21) Appl. No.: **29/234,196**

(22) Filed: **Jul. 15, 2005**

(51) **LOC (8) Cl.** **07-01**

(52) **U.S. Cl.** **D7/507; D7/510; D7/511**

(58) **Field of Classification Search** D7/507,
D7/509, 510, 511, 536, 533, 300.2, 396.3;
215/387, DIG. 7, 229; 220/715, 710.5, 711,
220/703, 592.16, 592.17, 710; 219/386,
219/432, 438, 436

See application file for complete search history.

(56) **References Cited**

U.S. PATENT DOCUMENTS

2,046,125	A *	6/1936	Lacy	219/436
5,508,494	A *	4/1996	Sarris et al.	219/386
D428,769	S *	8/2000	Mensch et al.	D7/533
6,140,614	A *	10/2000	Padamsee	219/438
D439,473	S *	3/2001	Lin	D7/510
D473,104	S *	4/2003	Salesman-Loken et al.	..	D7/510
D481,590	S *	11/2003	Lin	D7/510
6,852,954	B1 *	2/2005	Liu et al.	219/436

D511,653	S *	11/2005	Oas	D7/507
D512,269	S *	12/2005	Trombly	D7/510
7,022,946	B2 *	4/2006	Sanoner et al.	219/387
D533,403	S *	12/2006	Bhavnani	D7/510
D535,524	S *	1/2007	Kramer	D7/533

* cited by examiner

Primary Examiner—M. N. Pandozzi

(74) *Attorney, Agent, or Firm*—Egbert Law Offices

(57) **CLAIM**

We claim the ornamental design for a heated travel mug, as shown and described.

DESCRIPTION

FIG. 1 is an upper perspective view of the heated travel mug showing my design.

FIG. 2 is a front view thereof;

FIG. 3 is a back view thereof;

FIG. 4 is a side view thereof;

FIG. 5 is an opposite side view thereof;

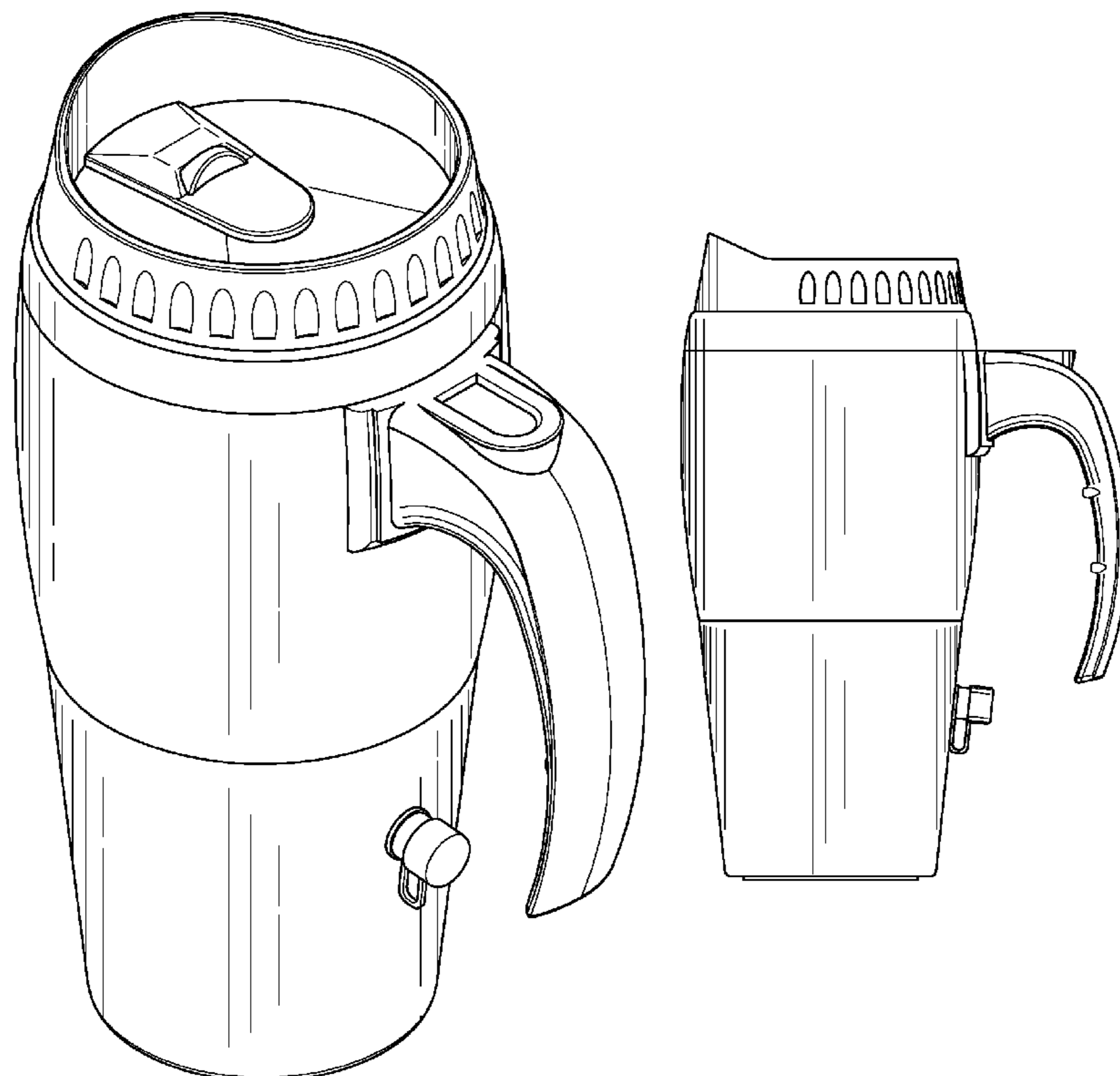
FIG. 6 is a top plan view thereof;

FIG. 7 is a bottom view thereof; and,

FIG. 8 is another perspective view showing attachment to a cord in dotted lines.

The dotted lines are presented for illustrative purposes and form no part of the claimed design.

1 Claim, 5 Drawing Sheets



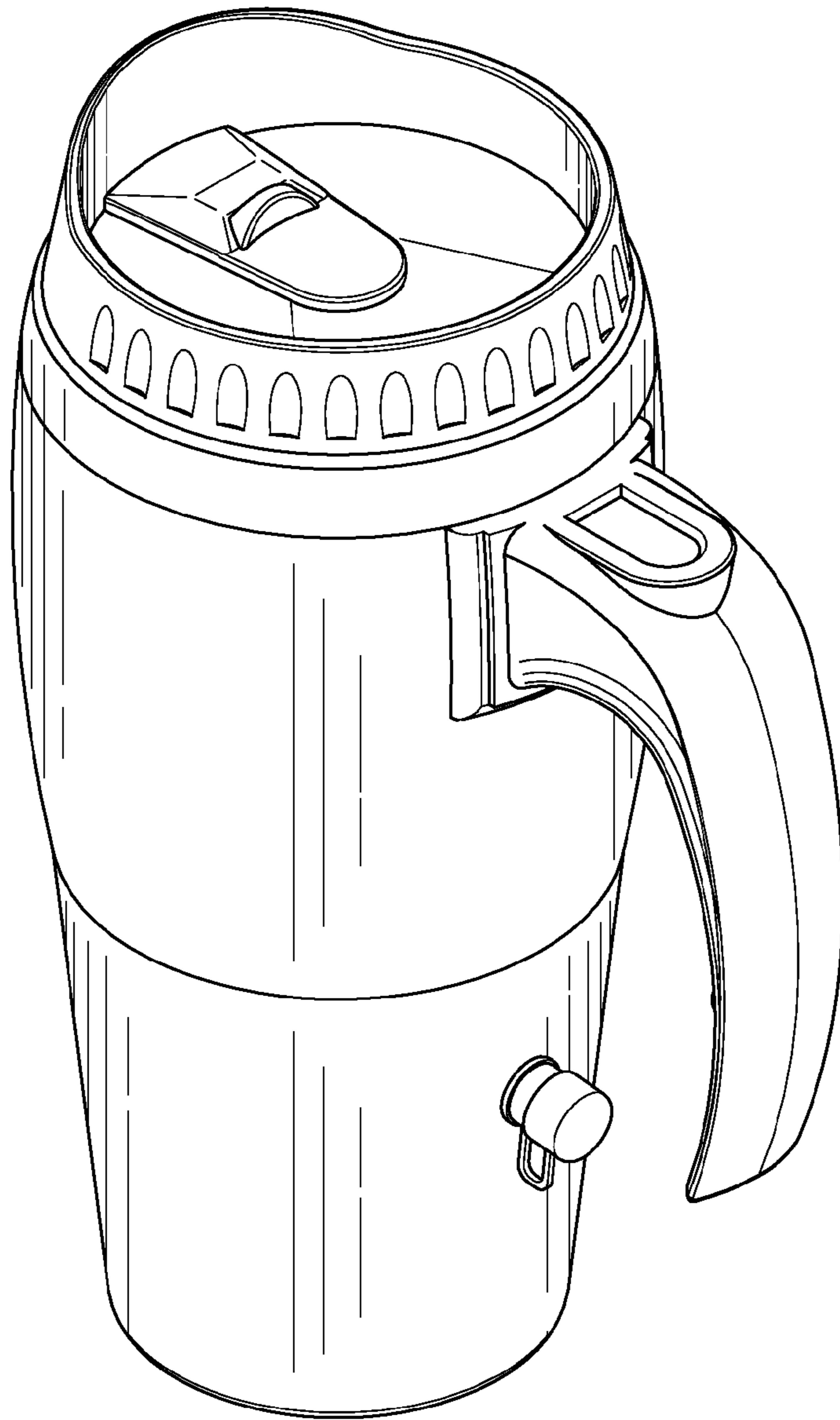


FIG.1

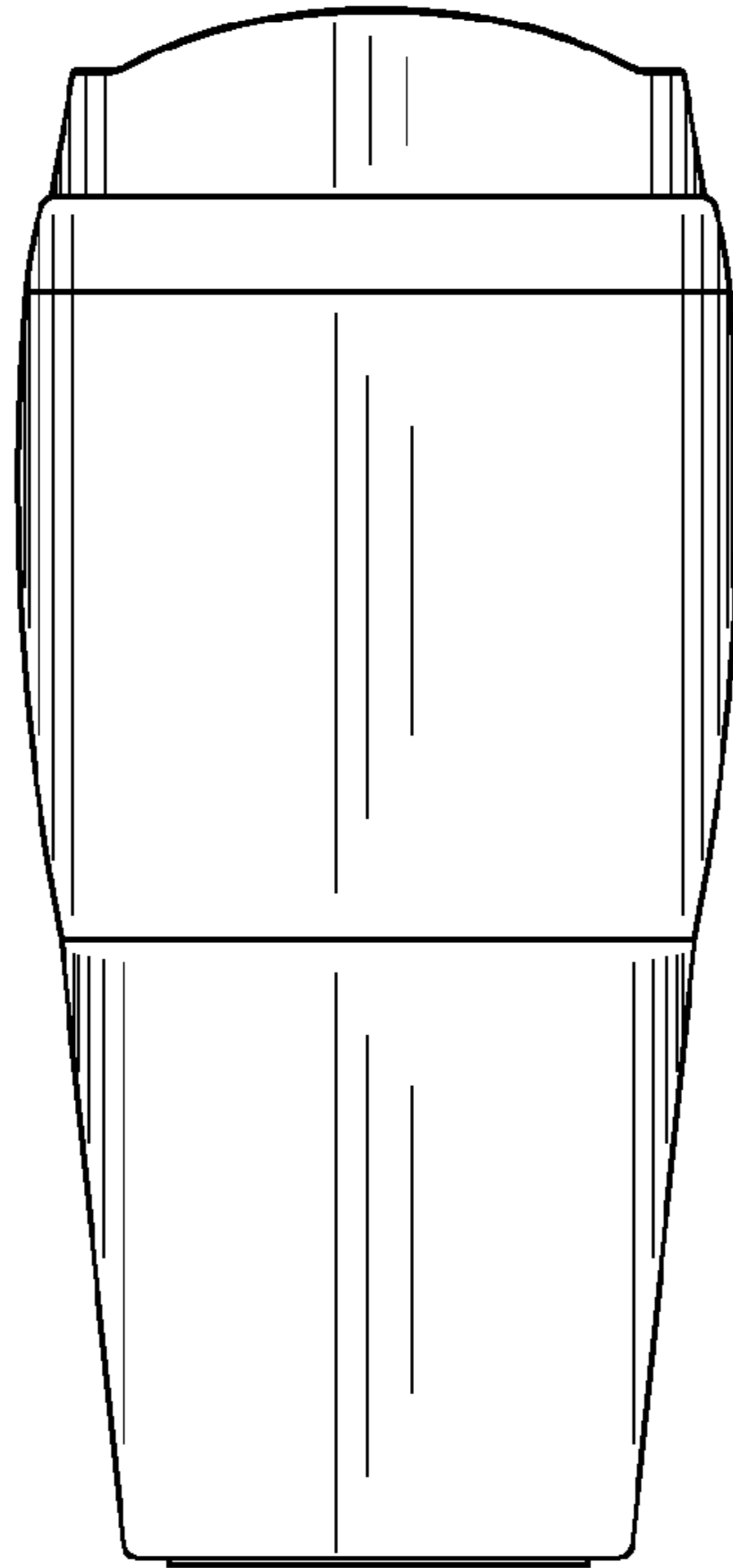


FIG. 2

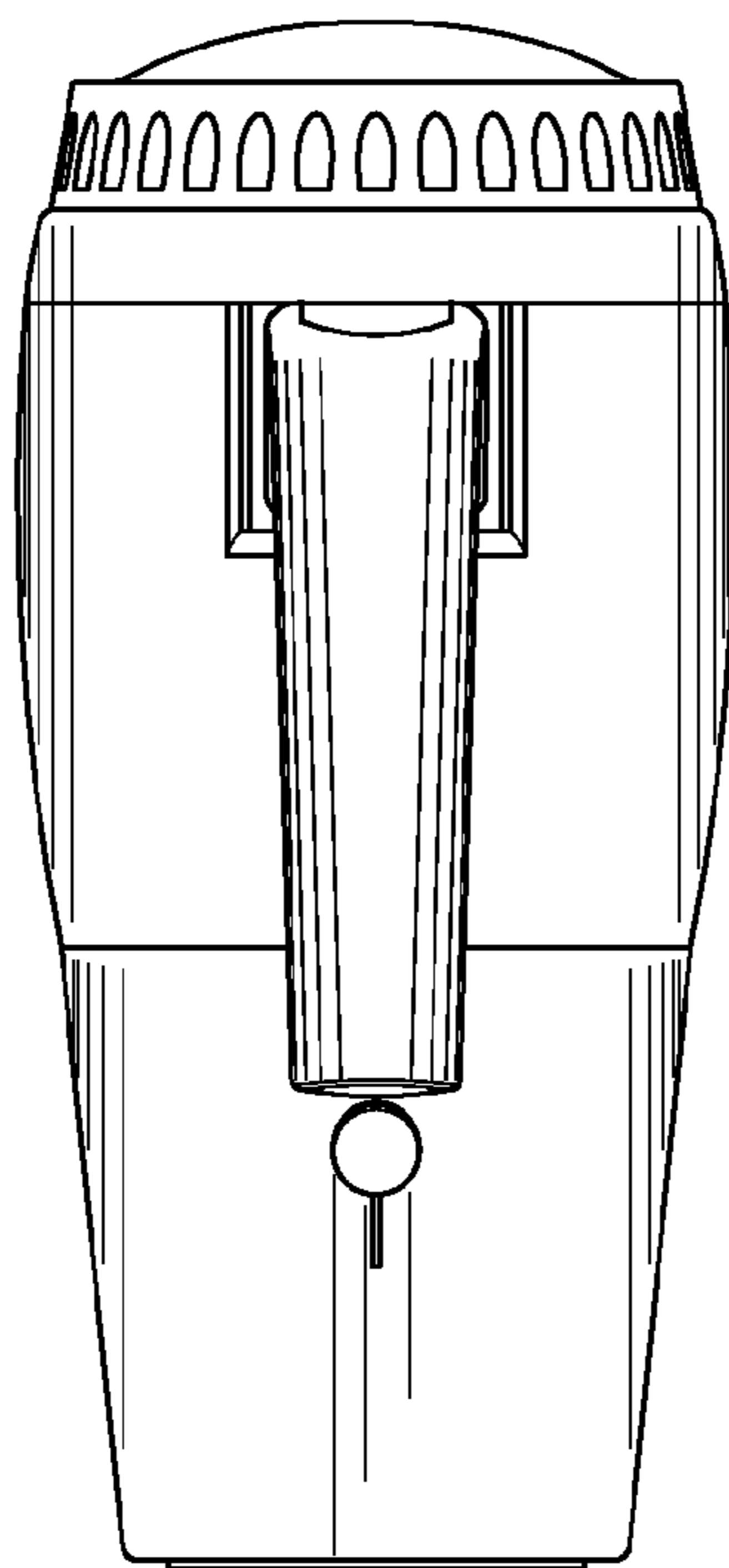


FIG. 3

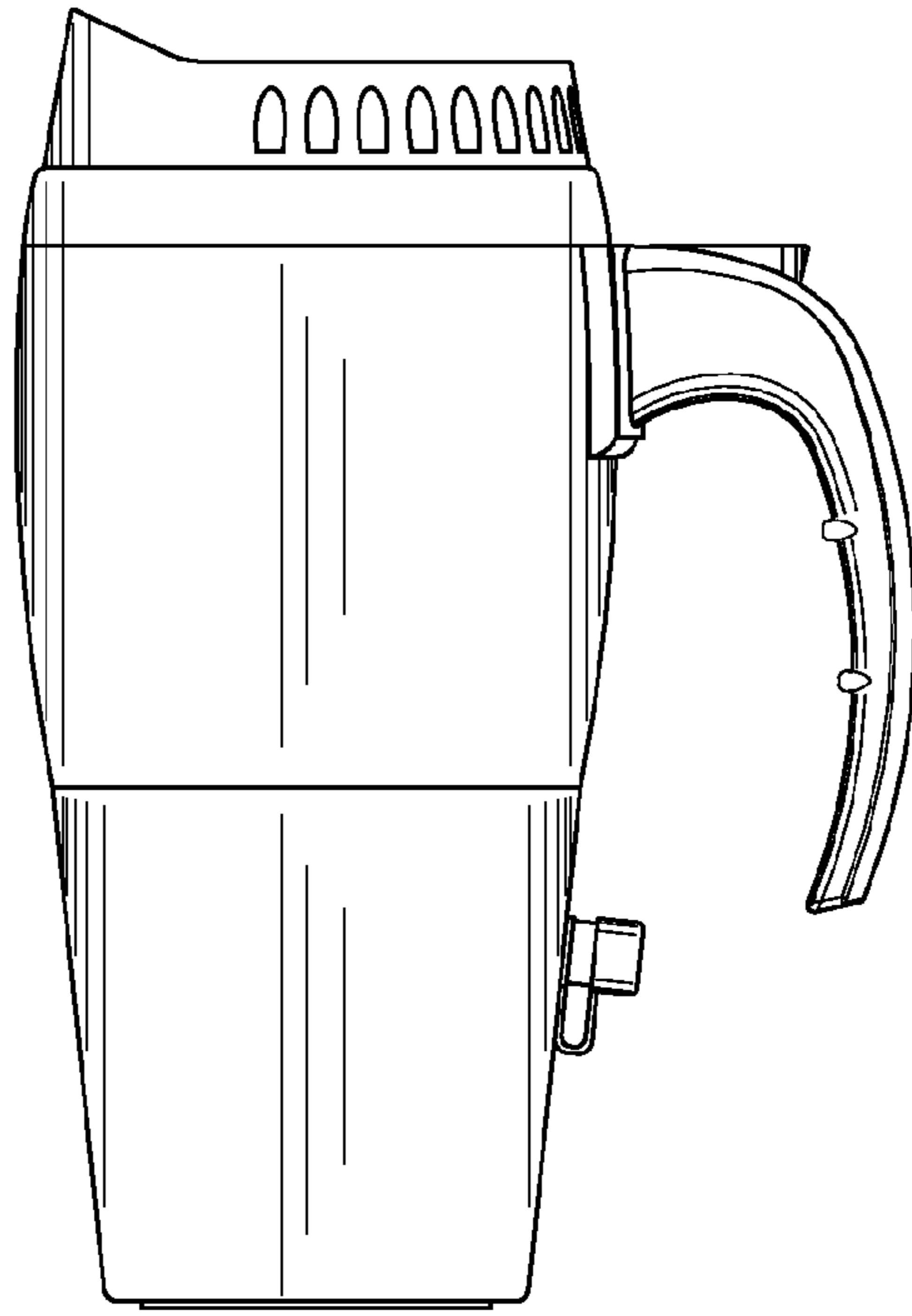


FIG.4

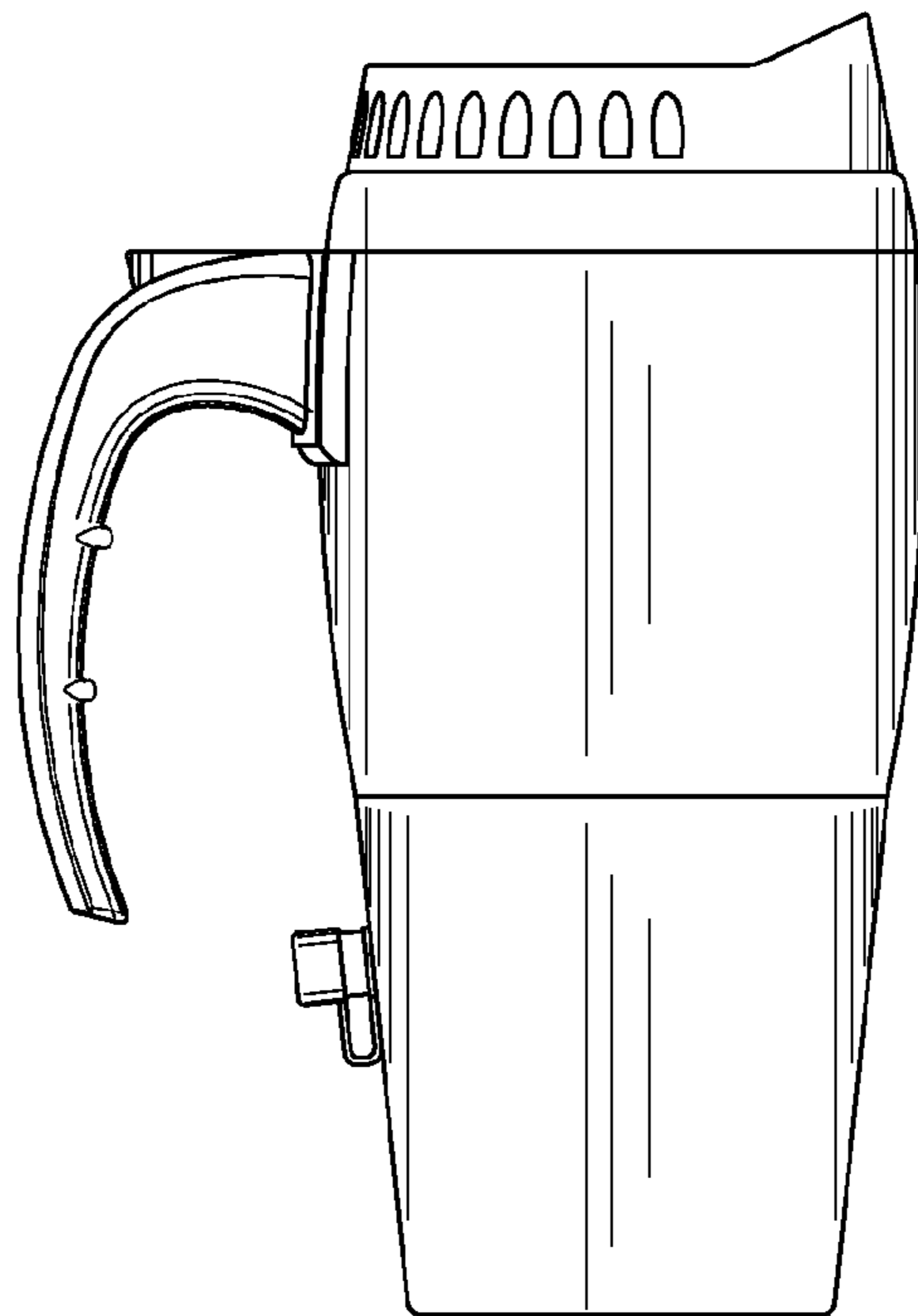


FIG.5

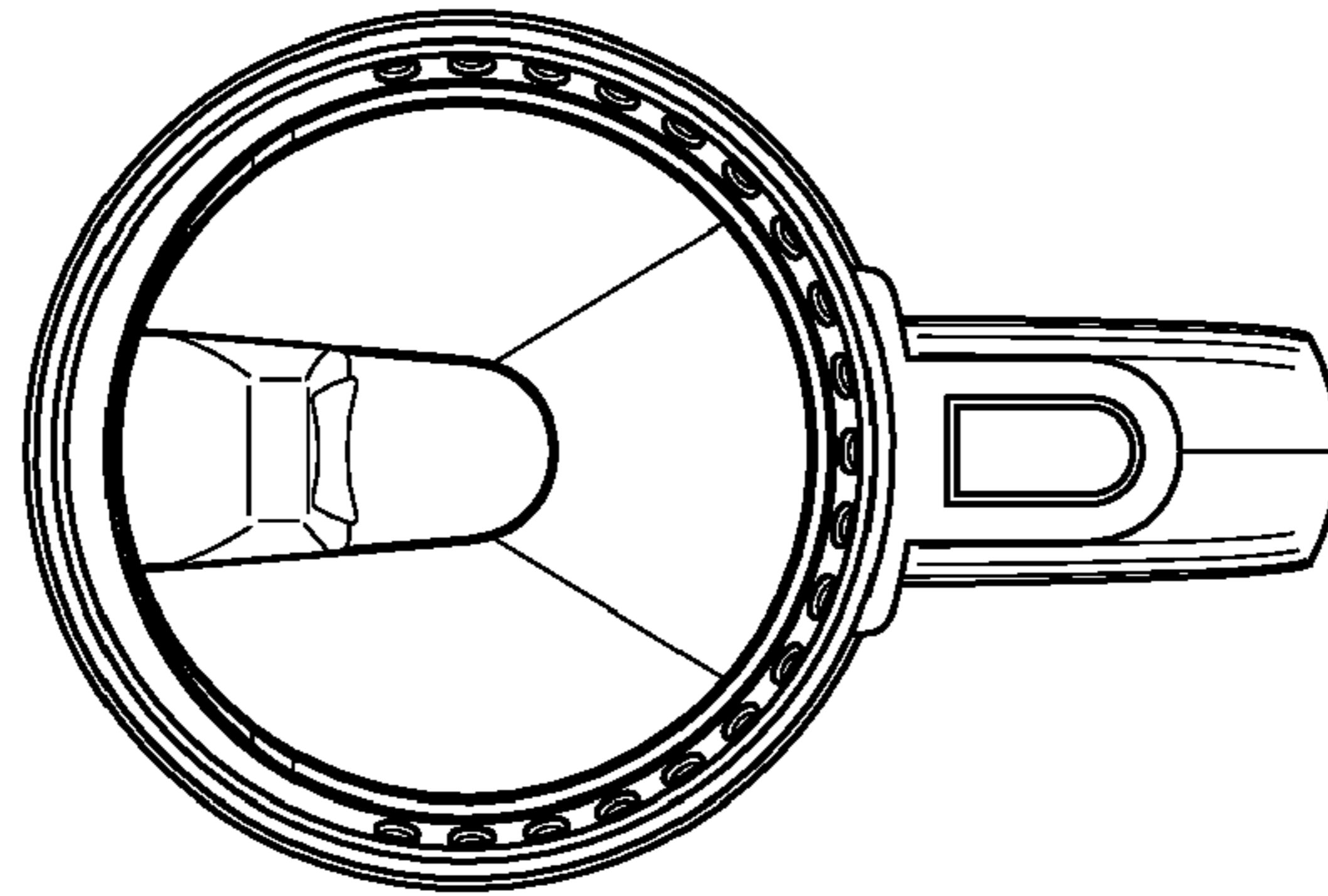


FIG. 6

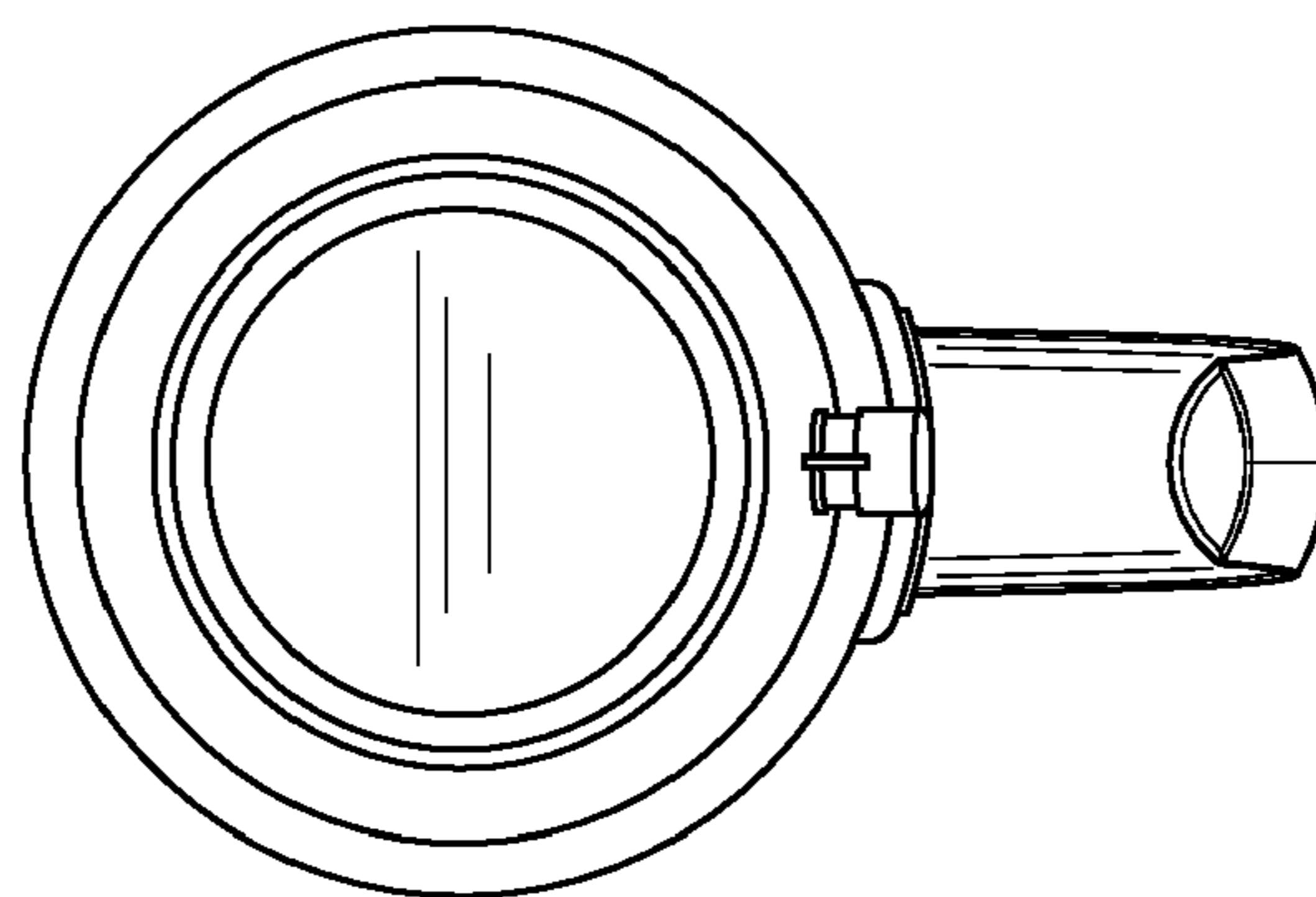


FIG. 7

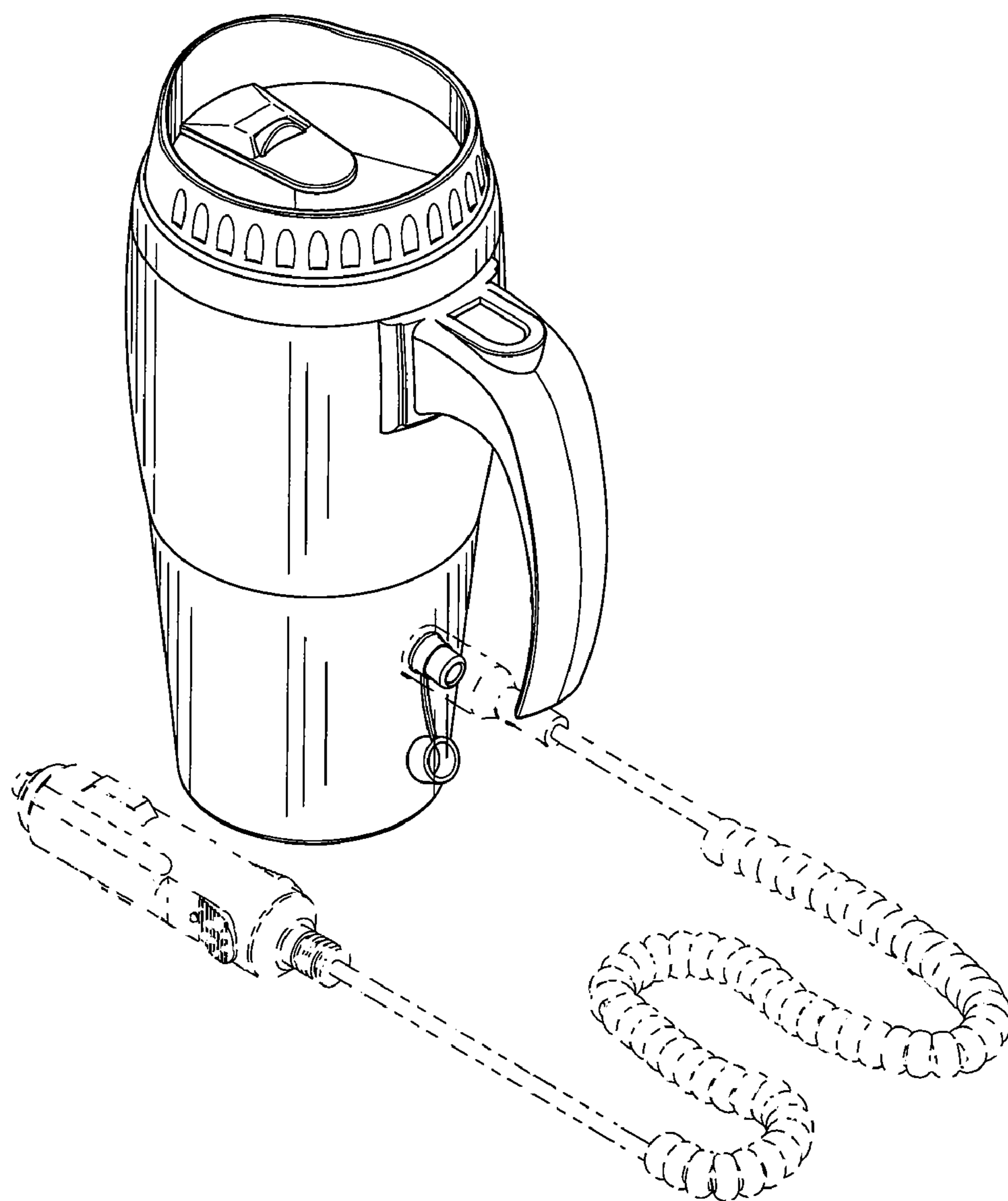


FIG.8