



US00D545119S

(12) **United States Design Patent**  
**Kallenberger**

(10) **Patent No.:** **US D545,119 S**

(45) **Date of Patent:** **\*\* Jun. 26, 2007**

(54) **BARBECUE TOOL HANDLE INSERT**

(75) Inventor: **Sharon Ellen Kallenberger**, Alameda, CA (US)

(73) Assignee: **Charcoal Companion Incorporated**, Emeryville, CA (US)

(\*\*) Term: **14 Years**

(21) Appl. No.: **29/244,444**

(22) Filed: **Dec. 9, 2005**

(51) **LOC (8) Cl.** ..... **07-02**

(52) **U.S. Cl.** ..... **D7/393**

(58) **Field of Classification Search** ..... D7/393-395, D7/683, 685-687, 688, 691-694, 696, 381, D7/401.2, 642-647, 649-653, 664; D8/107, D8/307; D4/138, 129; 16/110.1, 430, 431, 16/436; 30/340; 99/419, 421

See application file for complete search history.

(56) **References Cited**

U.S. PATENT DOCUMENTS

- D29,378 S \* 9/1898 Hadden ..... D7/693
- 1,801,653 A 4/1931 Berry
- 2,834,037 A 5/1958 Schumann
- D231,419 S 4/1974 Caldwell
- 3,906,632 A \* 9/1975 Oppenheimer ..... 30/322
- 3,995,902 A 12/1976 Sciaino, Jr.
- 4,176,592 A 12/1979 Doyle, Jr.
- D254,770 S \* 4/1980 Christen, Jr. .... D7/664
- D255,512 S 6/1980 Christen, Jr.
- D268,723 S 4/1983 Wolff
- D323,095 S \* 1/1992 Usbeck ..... D7/395
- 5,154,116 A 10/1992 Dube
- D331,525 S 12/1992 Anderson
- D367,406 S \* 2/1996 Ancona ..... D7/692
- 5,572,792 A 11/1996 Garabedian
- D392,848 S \* 3/1998 Zeller ..... D7/683
- D412,814 S \* 8/1999 Fielding et al. .... D7/692
- D424,869 S \* 5/2000 Chau ..... D7/395
- D426,429 S \* 6/2000 Zemel ..... D7/688
- D427,850 S \* 7/2000 Gasparino et al. .... D7/401.2
- D427,858 S \* 7/2000 Zemel ..... D7/692
- D453,463 S \* 2/2002 Chang ..... D8/107

- D455,618 S \* 4/2002 Richardson ..... D7/692
- D456,615 S 5/2002 Zemel
- D461,378 S 8/2002 Zemel
- D513,926 S \* 1/2006 Zemel ..... D7/395

OTHER PUBLICATIONS

Charcoal Companion, Product Catalog, 2004, selected pages.

Charcoal Companion, Product Catalog, 2003, selected pages.

Charcoal Companion, Product Catalog, 2002, selected pages.

Charcoal Companion, Product Catalog, 1993, selected pages.

Charcoal Companion, Product Catalog, 1992, selected pages.

\* cited by examiner

*Primary Examiner*—Holly H. Baynham

*Assistant Examiner*—Cynthia M. Chin

(74) *Attorney, Agent, or Firm*—Donald L. Beeson; Beeson Skinner Beverly

(57) **CLAIM**

The ornamental design for a barbecue tool handle insert, as shown and described.

**DESCRIPTION**

FIG. 1 is a top perspective view of a barbecue tool handle insert showing my new design;

FIG. 2 is a top plan view thereof, the bottom being a mirror image;

FIG. 3 is a left side elevational view thereof, the right side being a mirror image;

FIG. 4 is a rear end elevational view thereof; and

FIG. 5 is a front end elevational view thereof.

FIG. 6 is a top perspective view of a barbecue tool handle insert showing an alternative embodiment of my new design;

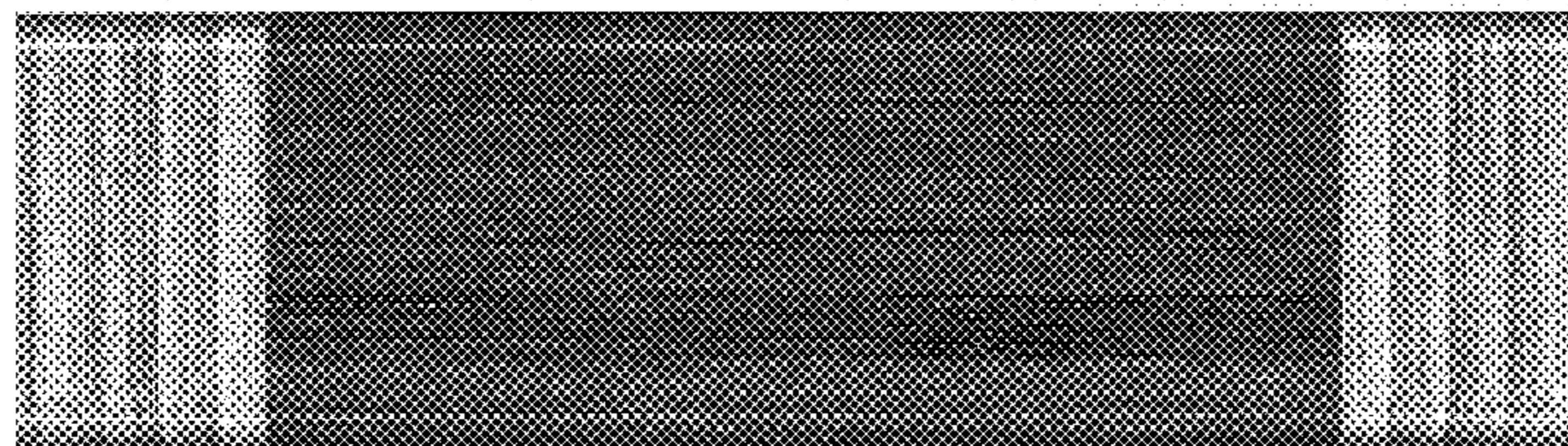
FIG. 7 is a top plan view thereof, the bottom being a mirror image;

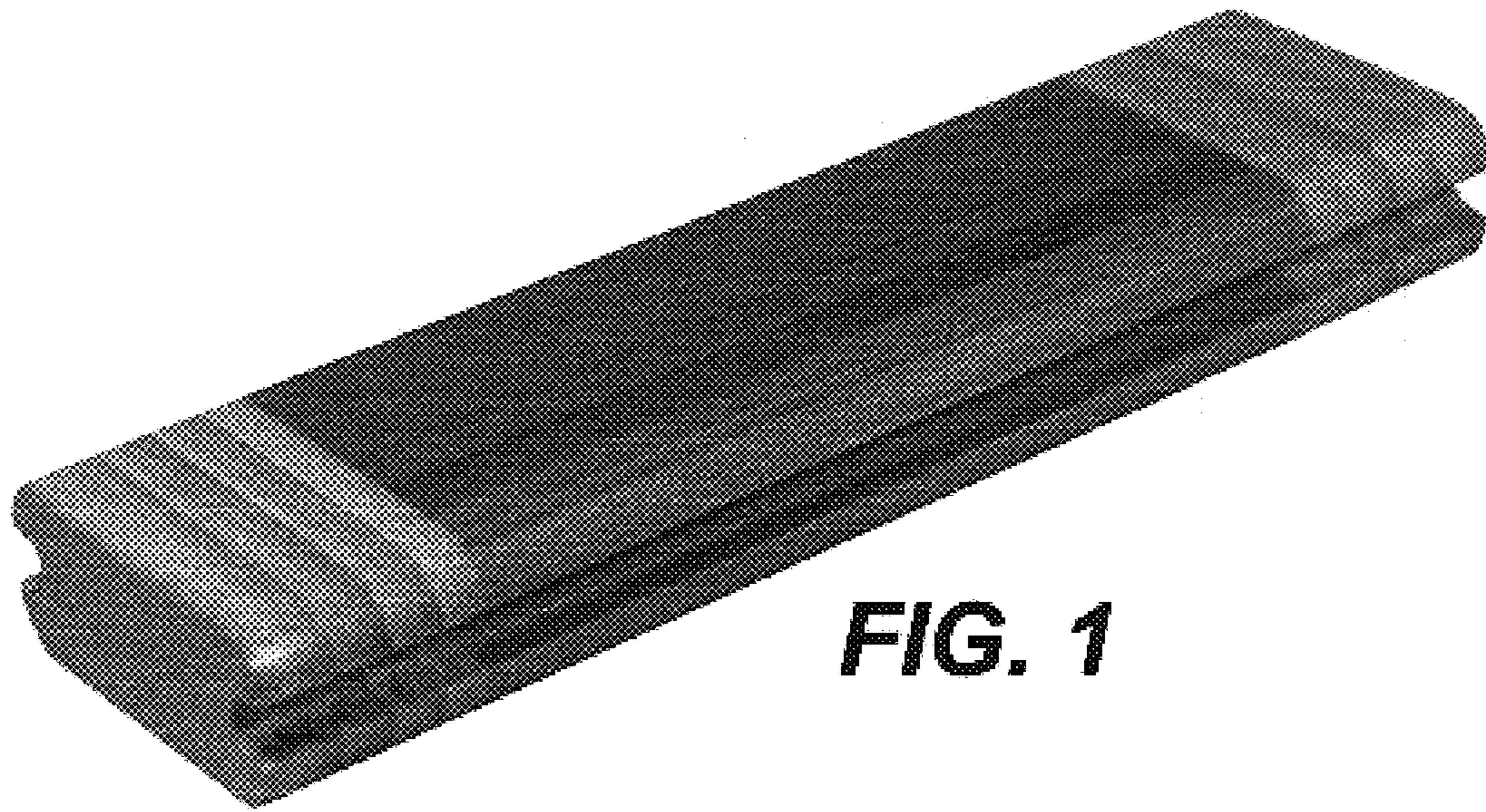
FIG. 8 is a left side elevational view thereof, the right side being a mirror image;

FIG. 9 is a rear end elevational view thereof; and,

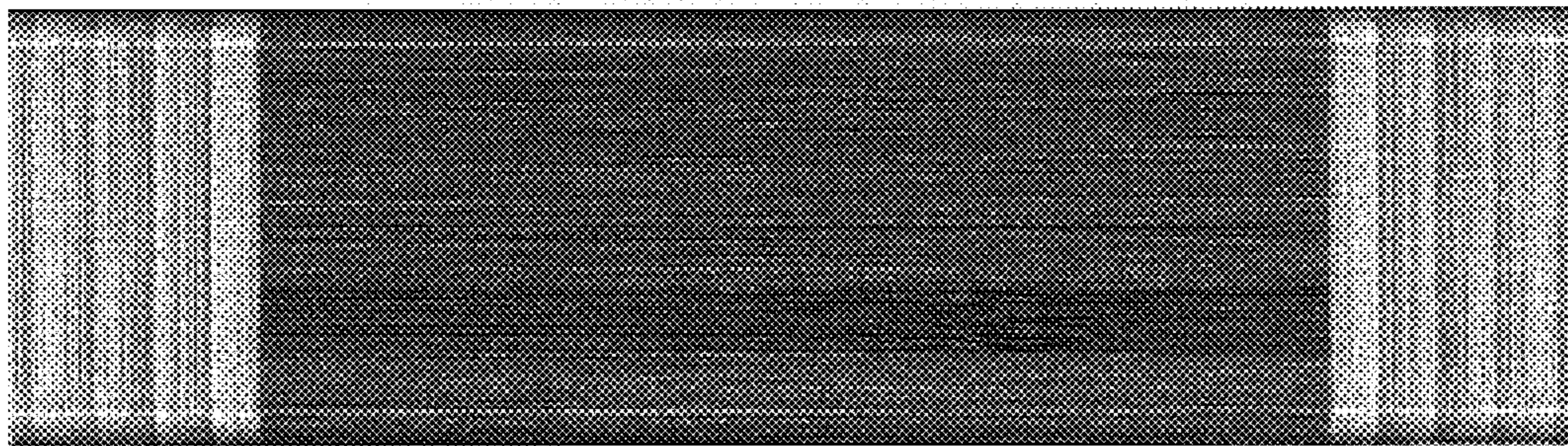
FIG. 10 is a front end elevational view thereof.

**1 Claim, 2 Drawing Sheets**

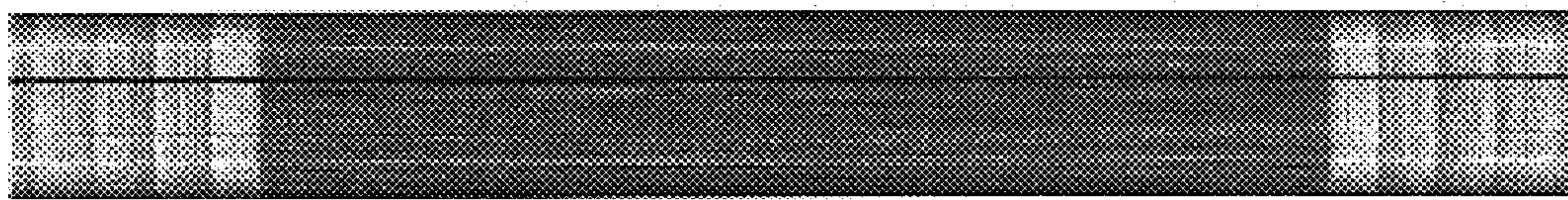




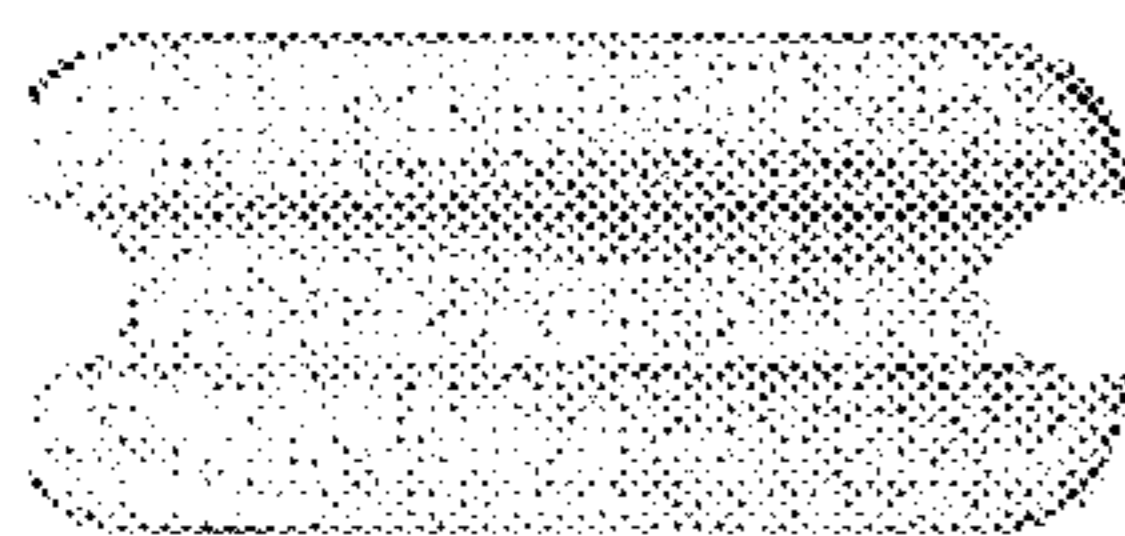
**FIG. 1**



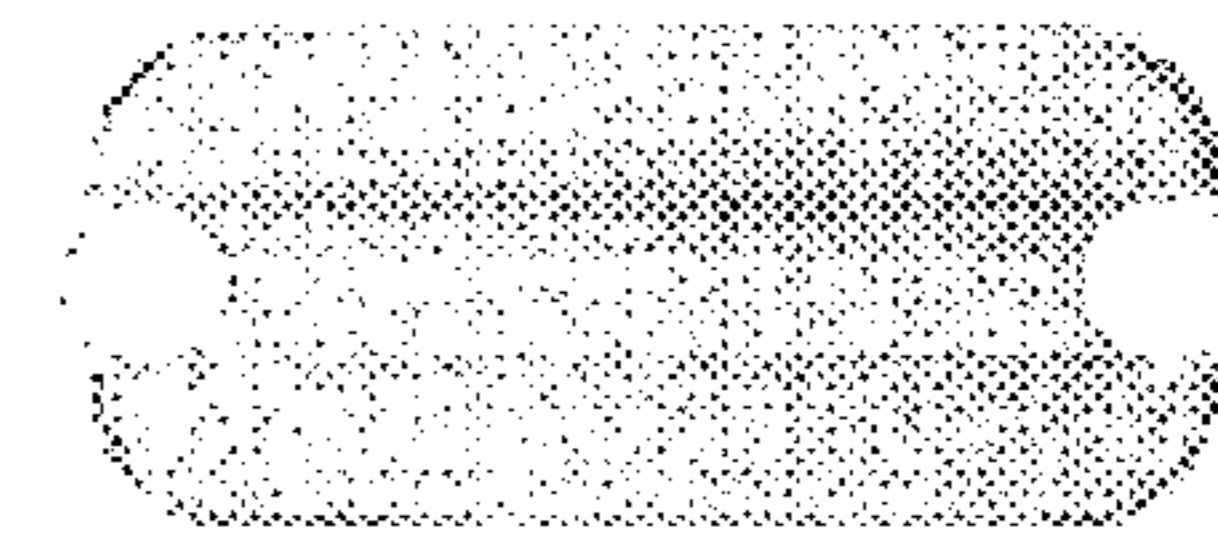
**FIG. 2**



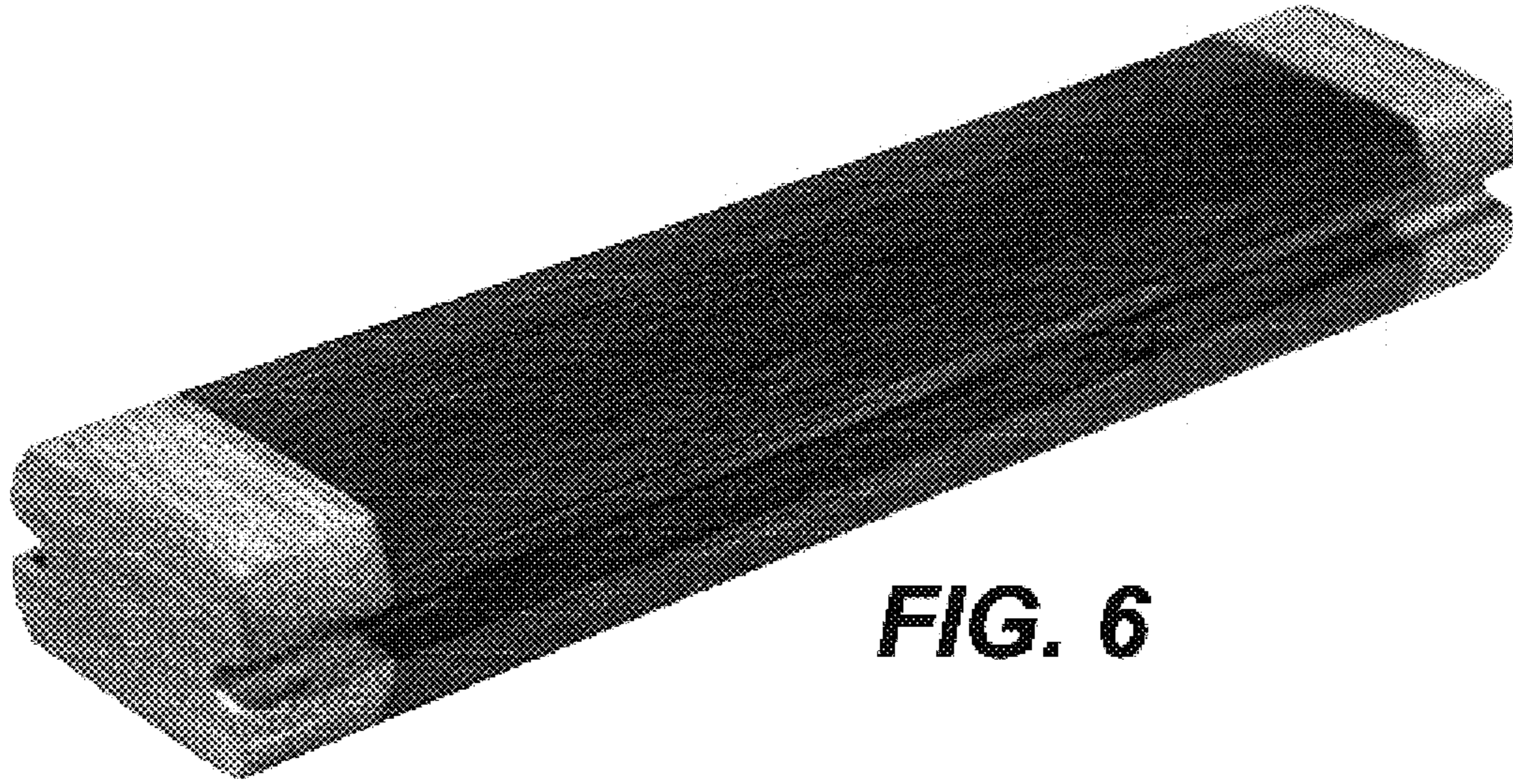
**FIG. 3**



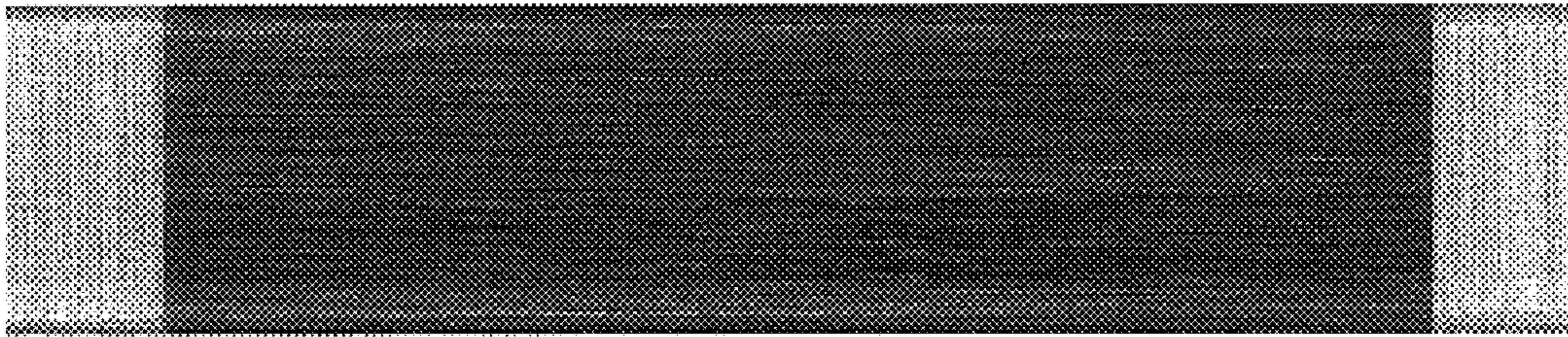
**FIG. 4**



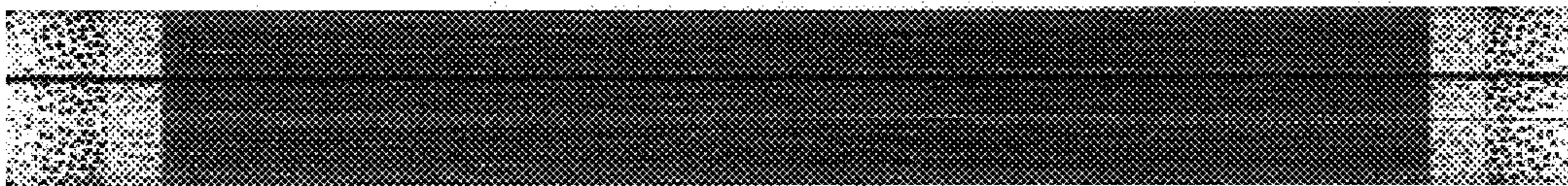
**FIG. 5**



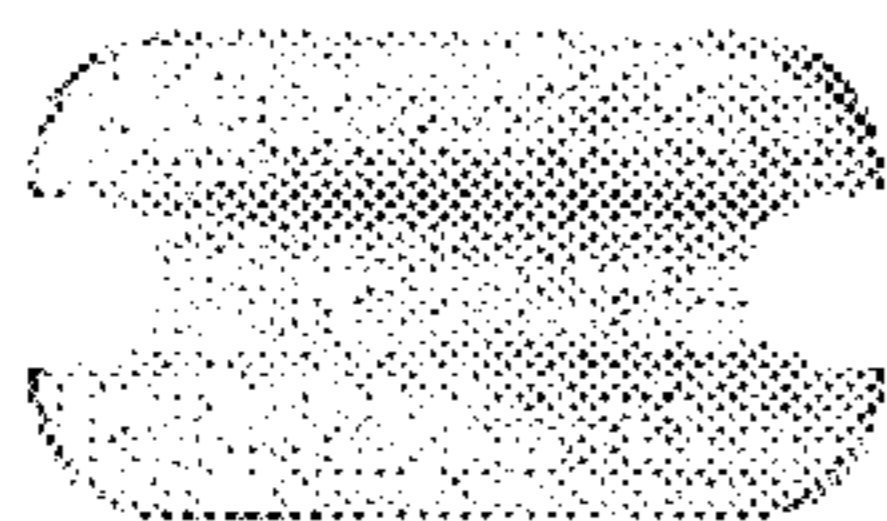
**FIG. 6**



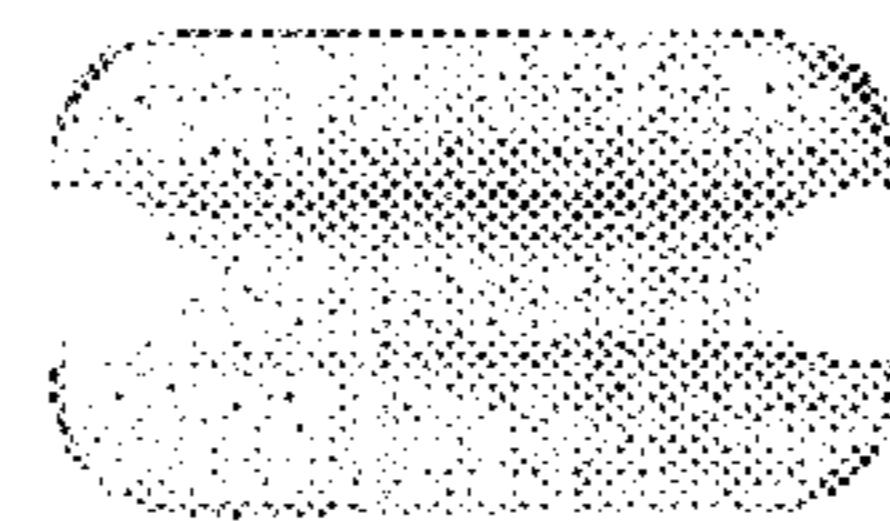
**FIG. 7**



**FIG. 8**



**FIG. 9**



**FIG. 10**