

US00D545118S

(12) **United States Design Patent** (10) **Patent No.:** **US D545,118 S**  
**Lieberman et al.** (45) **Date of Patent:** **\*\* Jun. 26, 2007**

(54) **CAP**  
(75) Inventors: **Joshua Lieberman**, Pompton Lakes, NJ (US); **Charles Renz**, Briarcliff Manor, NY (US); **Stuart Naft**, Fairfield, CT (US)  
(73) Assignee: **Playtex Products, Inc.**, Westport, CT (US)  
(\*\*) Term: **14 Years**  
(21) Appl. No.: **29/226,403**  
(22) Filed: **Mar. 25, 2005**  
(51) **LOC (8) Cl.** ..... **07-99**  
(52) **U.S. Cl.** ..... **D7/392.1; D7/396.2; D7/900**  
(58) **Field of Classification Search** ..... D7/514, D7/515, 507, 536, 533, 523, 510, 511, 900, D7/901, 532, 392.1, 392, 396.2; 220/705, 220/729, 23.83, 717, 592.15, 713, 571, 703, 220/254.8, 254.3, 380; 215/387, 388, 11.1, 215/11.4; D24/197, 199; D9/440, 450, 454  
See application file for complete search history.

D479,437 S 9/2003 Gluck ..... D7/523  
D486,996 S \* 2/2004 Karp ..... D7/510  
D500,226 S \* 12/2004 Randolph et al. .... D7/392.1  
RE38,692 E \* 2/2005 Wong ..... 220/713  
D502,844 S \* 3/2005 Rohe ..... D7/510  
D507,934 S 8/2005 Featherston et al. .... D7/510  
6,929,143 B2 \* 8/2005 Mazzarolo ..... 220/254.3  
D515,867 S \* 2/2006 Randolph et al. .... D7/396.2  
7,011,227 B2 \* 3/2006 Ward et al. .... 220/254.3  
D519,784 S 5/2006 Karp ..... D7/523  
D520,809 S \* 5/2006 Randolph et al. .... D7/392.1  
7,063,224 B2 \* 6/2006 Clarke et al. .... 220/254.3  
D530,153 S 10/2006 Karp ..... D7/510

\* cited by examiner

*Primary Examiner*—M. N. Pandozzi  
(74) *Attorney, Agent, or Firm*—Ohlandt, Greeley, Ruggiero & Perle, L.L.P.

(57) **CLAIM**

The ornamental design for a cap, as shown and described.

**DESCRIPTION**

FIG. 1 is a front perspective view of a cap showing our new design;

FIG. 2 is a back perspective view of the cap of FIG. 1;

FIG. 3 is a front view of the cap of FIG. 1;

FIG. 4 is a rear view of the cap of FIG. 1;

FIG. 5 is a side view of the cap of FIG. 1;

FIG. 6 is side view of the cap of FIG. 1, opposite the side view of FIG. 5;

FIG. 7 is a top view of the cap of FIG. 1; and,

FIG. 8 is a bottom view of the cap of FIG. 1.

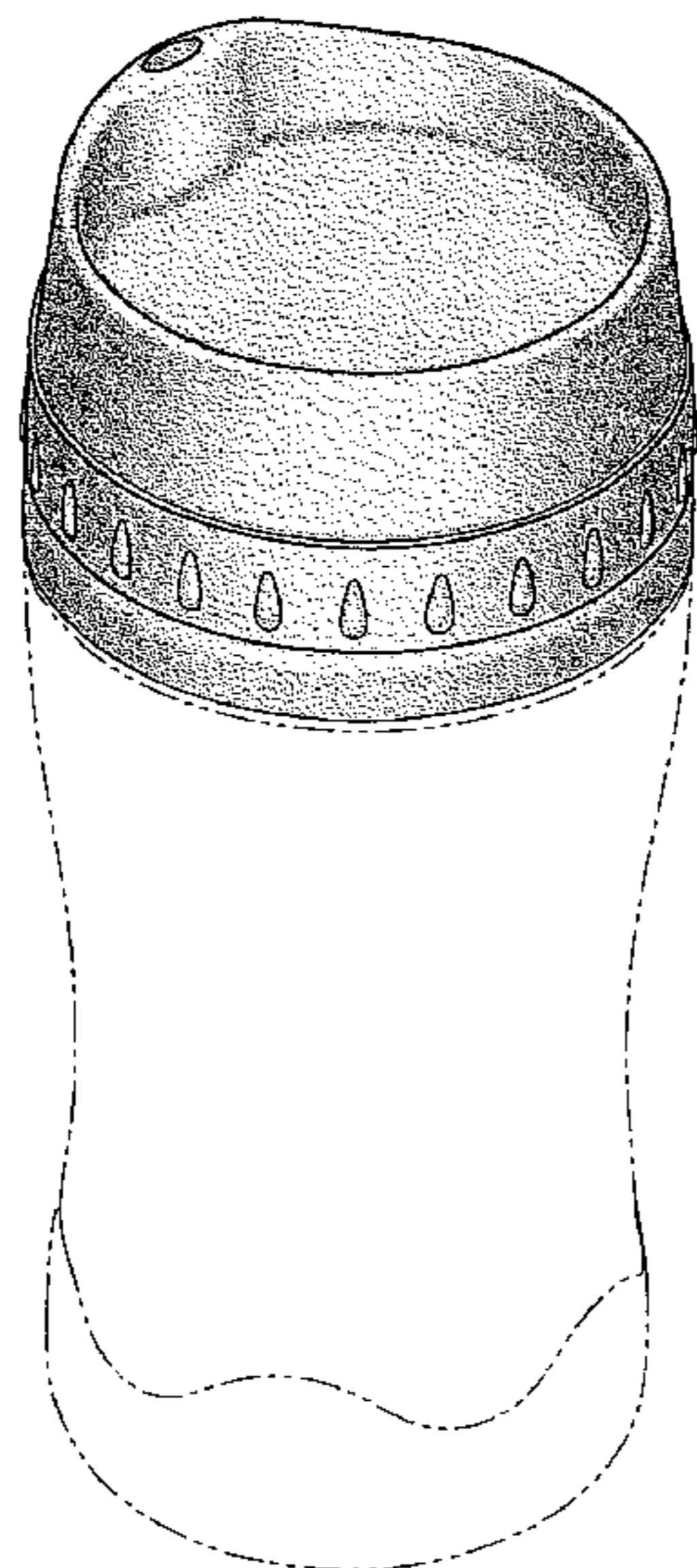
The broken line showing in FIGS. 1 through 6 and 8 is for illustrative purposes only and forms no part of the claimed design.

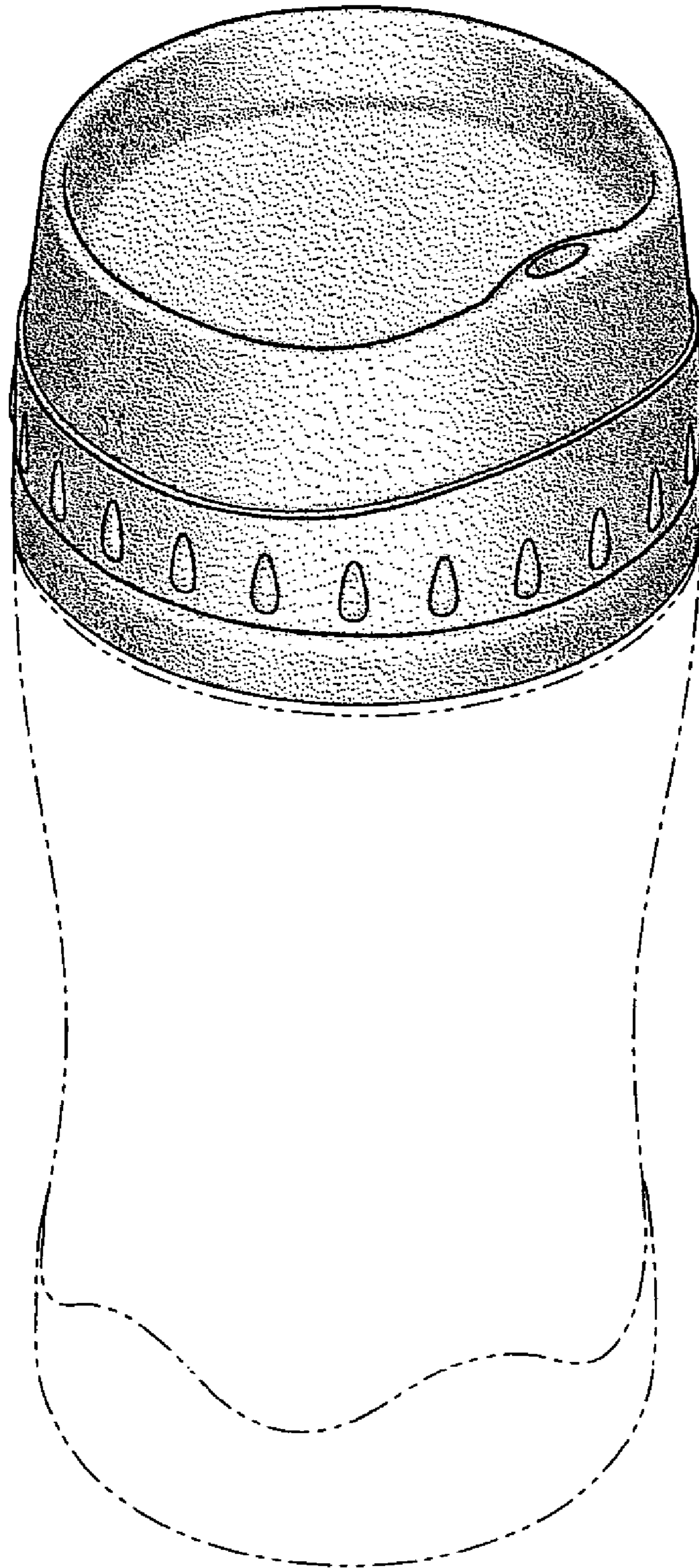
(56) **References Cited**

U.S. PATENT DOCUMENTS

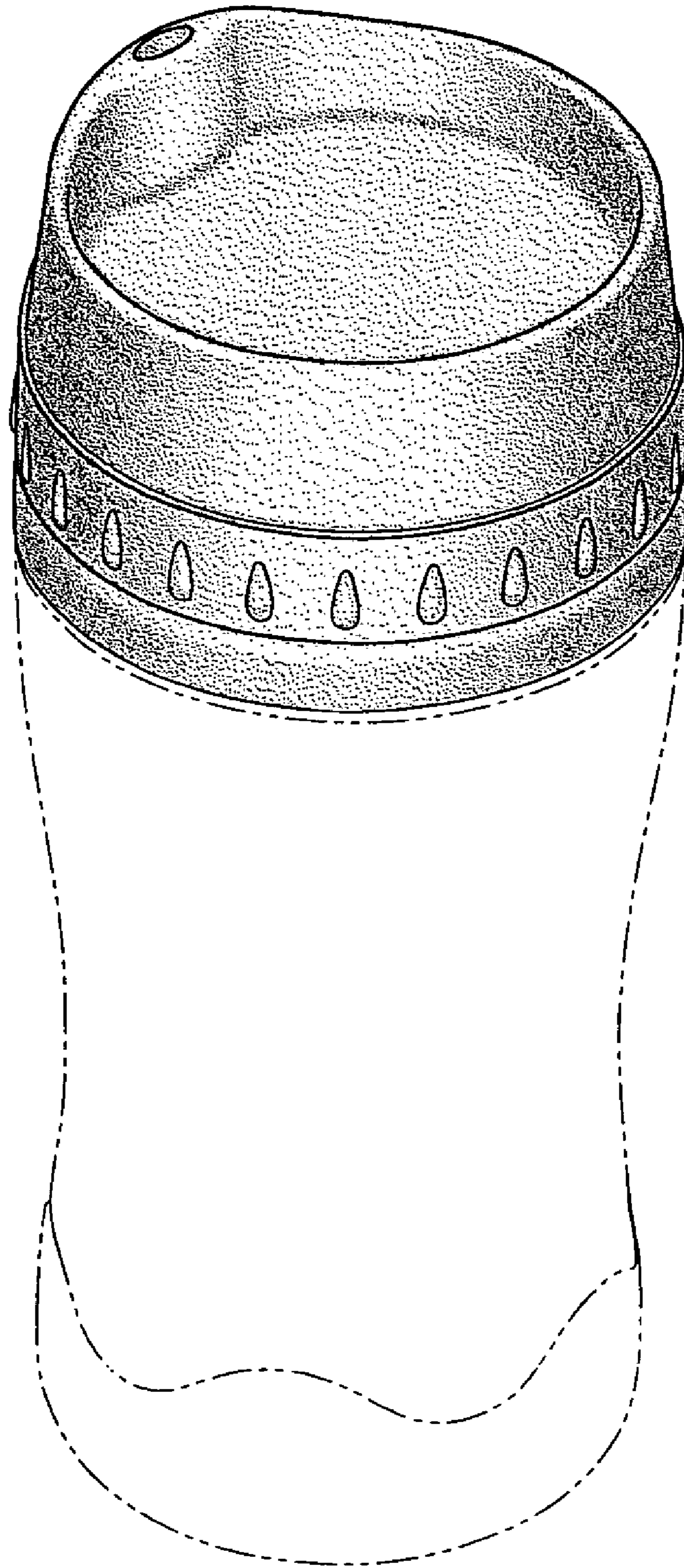
D216,730 S \* 3/1970 Carshaw ..... D7/510  
D369,109 S \* 4/1996 Proshan ..... D9/447  
D387,171 S \* 12/1997 Johnson ..... D24/197  
D387,620 S \* 12/1997 Trombly ..... D7/510  
D408,221 S 4/1999 Asberg ..... D7/511  
D428,769 S \* 8/2000 Mensch et al. .... D7/533  
D454,384 S \* 3/2002 Lord ..... D23/249  
D456,212 S \* 4/2002 Bridges ..... D7/510  
D457,395 S 5/2002 Gluck ..... D7/510  
D457,778 S \* 5/2002 Randolph et al. .... D7/392.1  
D460,825 S \* 7/2002 Renz ..... D24/199  
D463,207 S \* 9/2002 Norris et al. .... D7/392.1  
D475,923 S \* 6/2003 Renz ..... D9/446

**1 Claim, 5 Drawing Sheets**

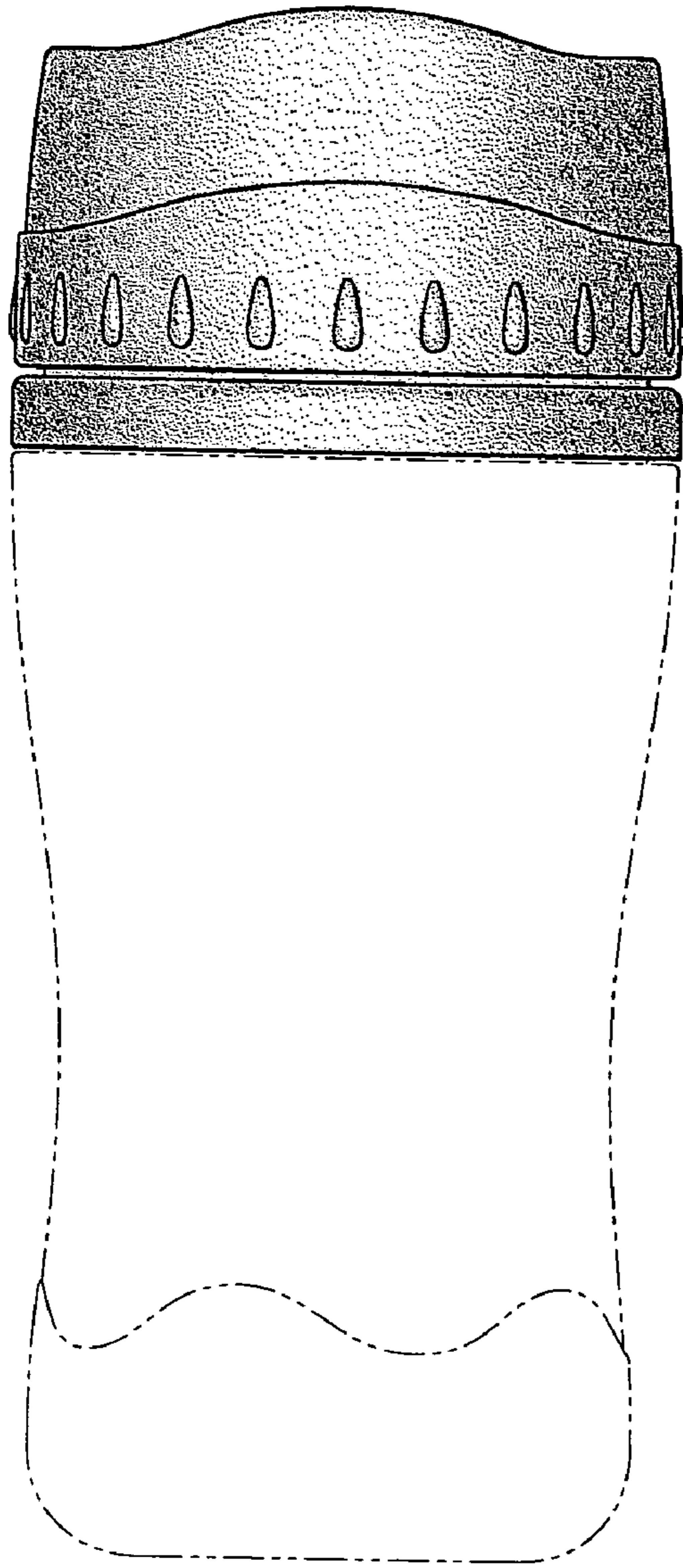




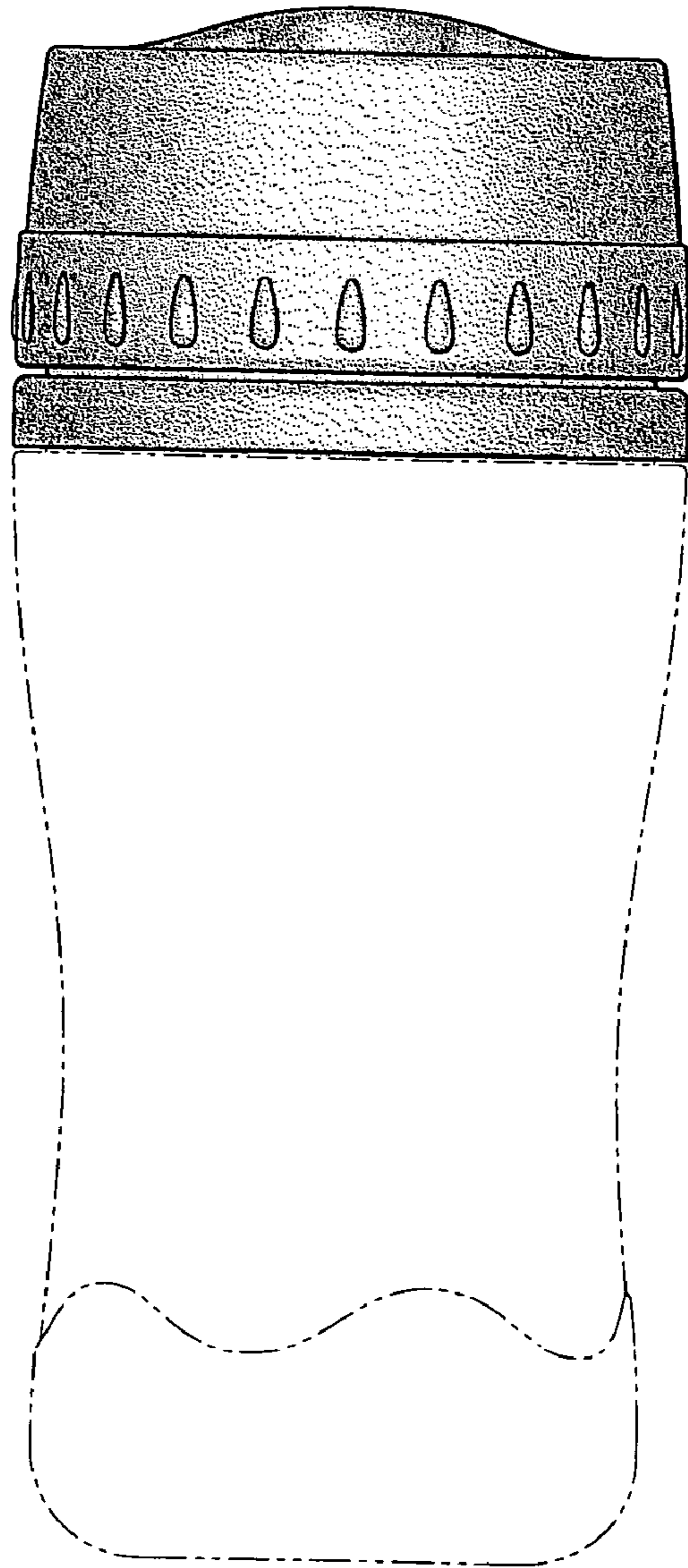
**FIG. 1**



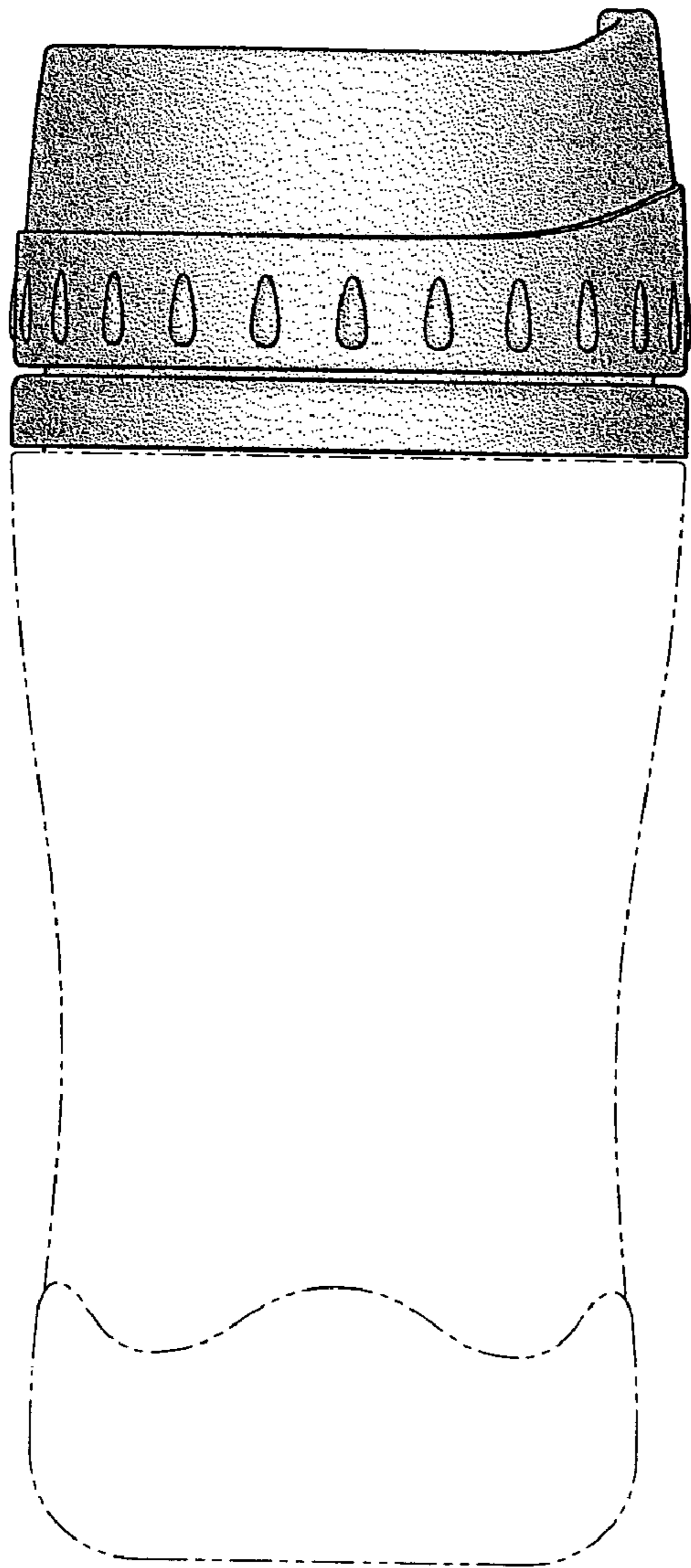
**FIG. 2**



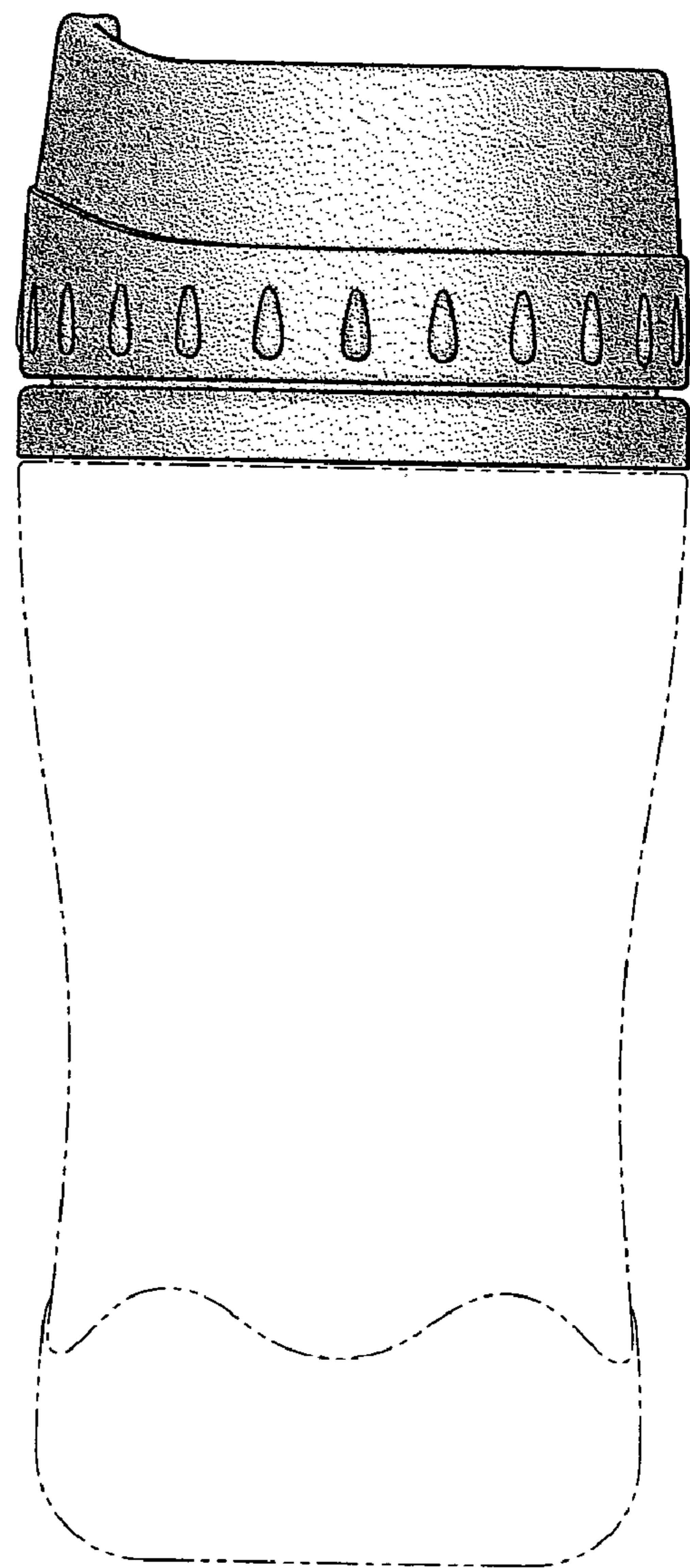
**FIG. 3**



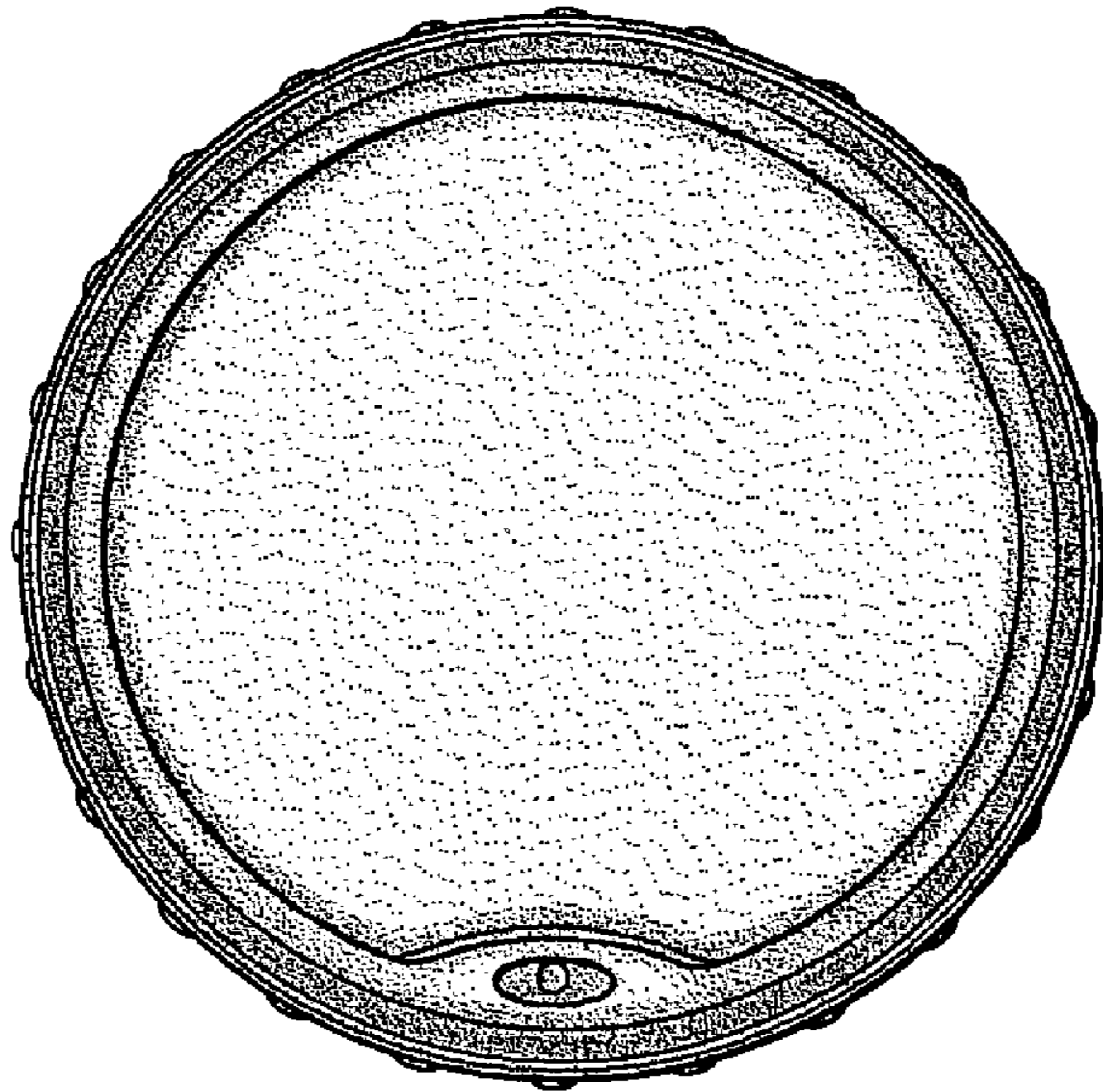
**FIG. 4**



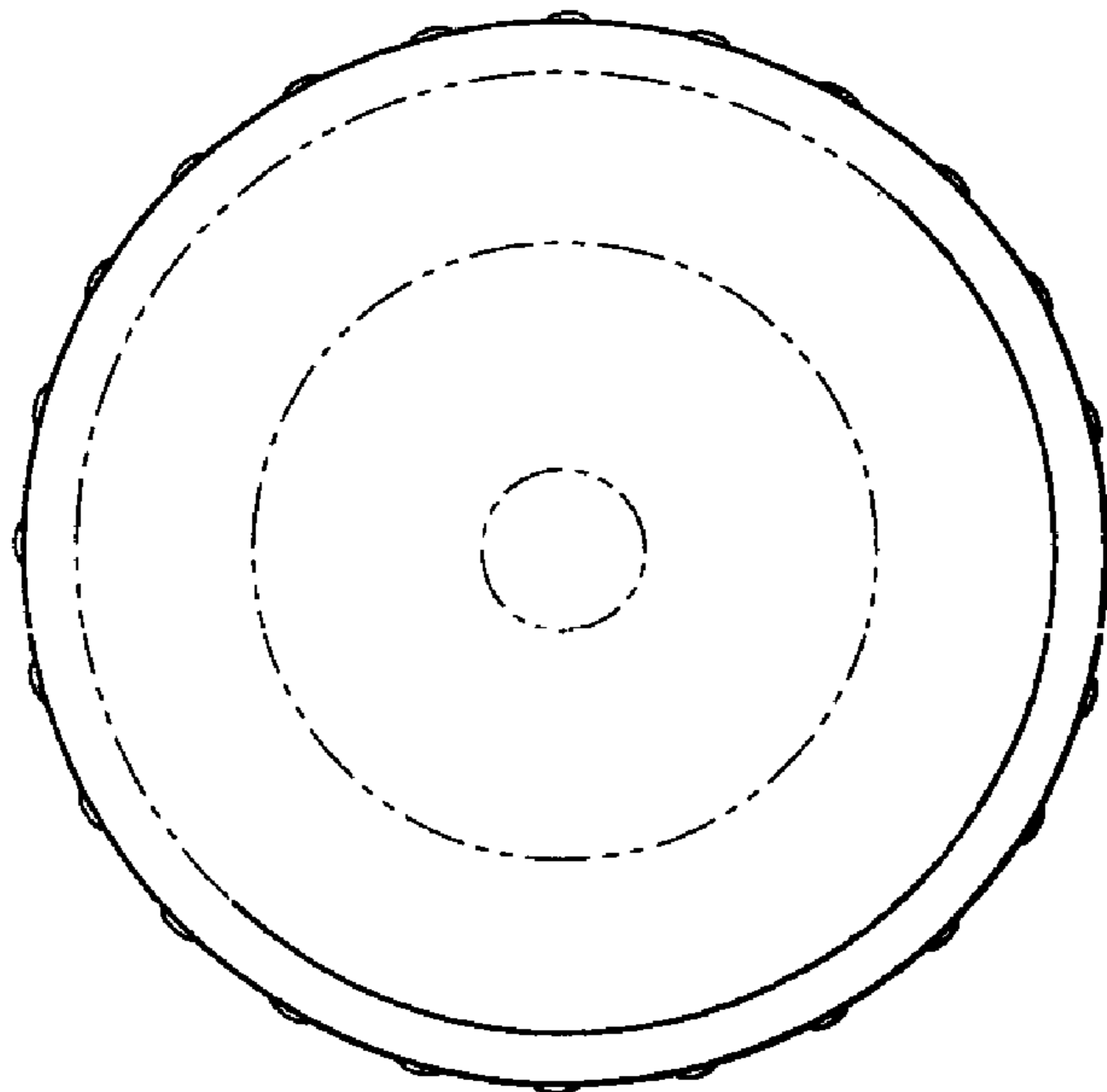
**FIG. 5**



**FIG. 6**



**FIG. 7**



**FIG. 8**