

US00D545111S

(12) **United States Design Patent**  
**Brown**

(10) **Patent No.:** **US D545,111 S**

(45) **Date of Patent:** **\*\* Jun. 26, 2007**

(54) **WATER KETTLE**

(75) Inventor: **Guy Anthony Brown**, Amersfoort (NL)

(73) Assignee: **Koninklijke Philips Electronics N.V.**,  
Eindhoven (NL)

(\*\*) Term: **14 Years**

(21) Appl. No.: **29/243,590**

(22) Filed: **Nov. 28, 2005**

(30) **Foreign Application Priority Data**

Jun. 15, 2005 (EM) ..... 000358171-0001

(51) **LOC (8) Cl.** ..... **07-01**

(52) **U.S. Cl.** ..... **D7/317; D7/318**

(58) **Field of Classification Search** ..... D7/300,  
D7/316-319, 321, 311; 99/323.3, 307, 285;  
215/12.1, 13.1; 222/505, 131, 470, 144.5,  
222/566, 25, 23, 188; 220/4.01, 504; 210/85,  
210/121, 282, 232; D23/209; 62/457.3,  
62/457.2; 206/459.5

See application file for complete search history.

(56) **References Cited**

**U.S. PATENT DOCUMENTS**

D285,160 S \* 8/1986 Osit ..... D7/317  
D345,670 S \* 4/1994 Piret ..... D7/319  
D389,007 S \* 1/1998 Bouhuys ..... D7/319

D396,378 S \* 7/1998 Hensel ..... D7/319  
D403,200 S \* 12/1998 Joergensen ..... D7/317  
D427,478 S \* 7/2000 Littmann et al. .... D7/318  
D437,175 S \* 2/2001 Brady ..... D7/319  
D439,466 S \* 3/2001 Bouhuys ..... D7/319  
D463,706 S \* 10/2002 Lecerf ..... D7/317  
D475,233 S \* 6/2003 De Visser ..... D7/317  
D490,640 S \* 6/2004 De Visser ..... D7/319  
D492,879 S \* 7/2004 Allemand ..... D7/318  
D498,384 S \* 11/2004 McWilliam ..... D7/319  
D498,638 S \* 11/2004 Morrison ..... D7/319  
D527,940 S \* 9/2006 Cohen ..... D7/318

\* cited by examiner

*Primary Examiner*—M. N. Pandozzi

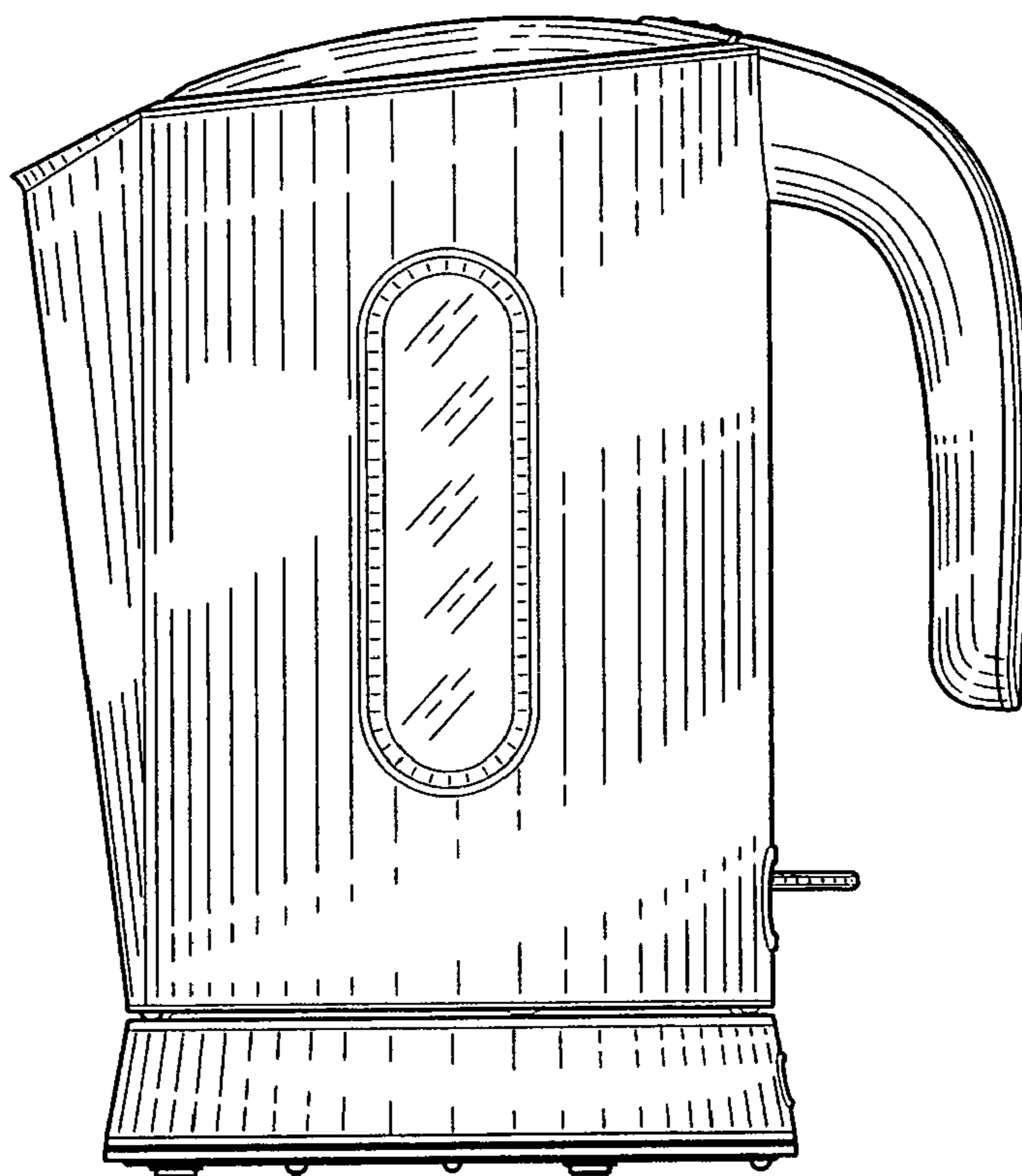
(57) **CLAIM**

The ornamental design for a water kettle, as shown.

**DESCRIPTION**

FIG. 1 is a perspective view showing my design;  
FIG. 2 is a front elevational view thereof;  
FIG. 3 is a rear elevational view thereof;  
FIG. 4 is a right side elevational view thereof;  
FIG. 5 is a left side elevational view thereof;  
FIG. 6 is a top plan view thereof; and,  
FIG. 7 is a bottom plan view thereof.

**1 Claim, 5 Drawing Sheets**



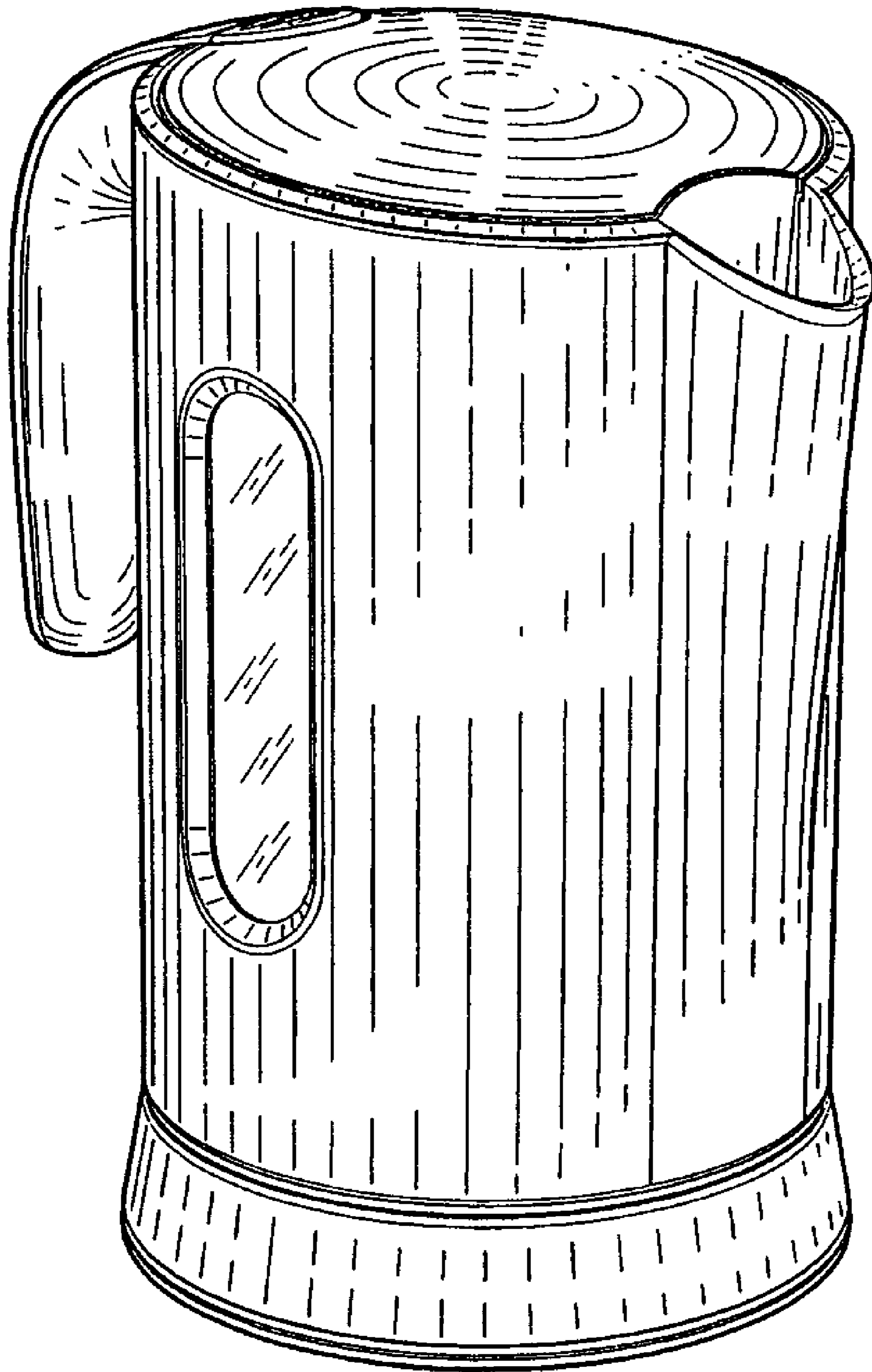


FIG. 1

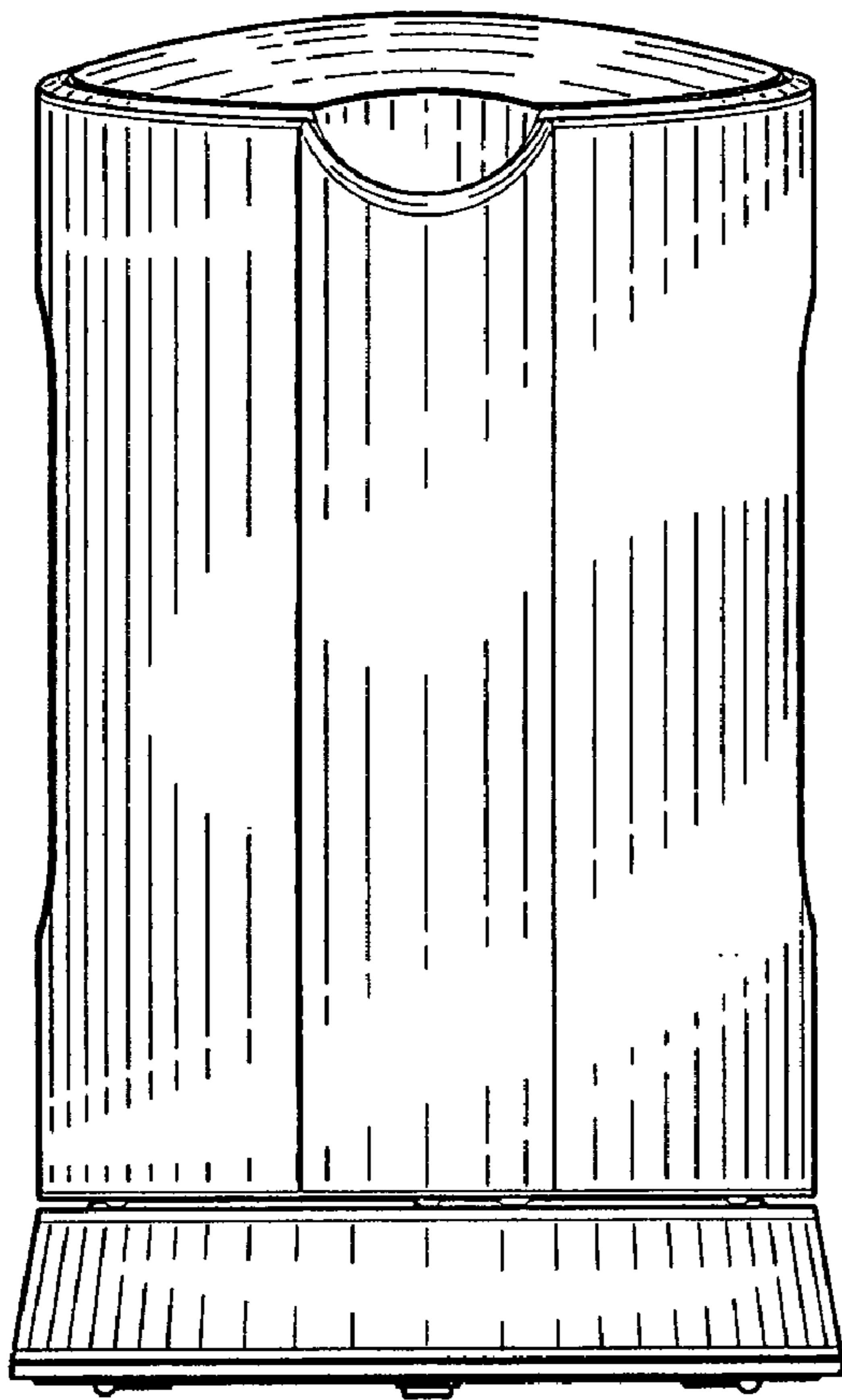


FIG. 2

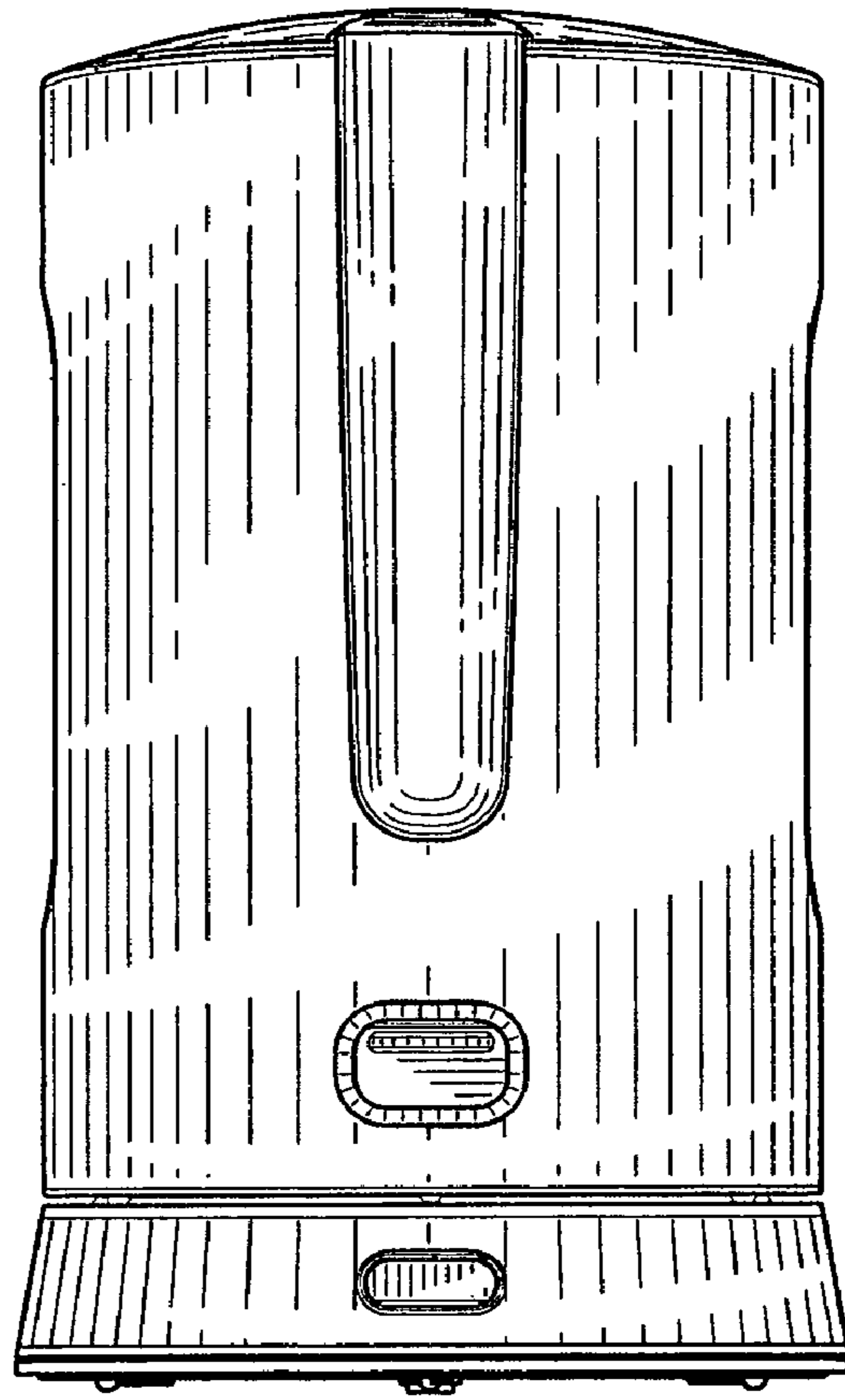


FIG. 3

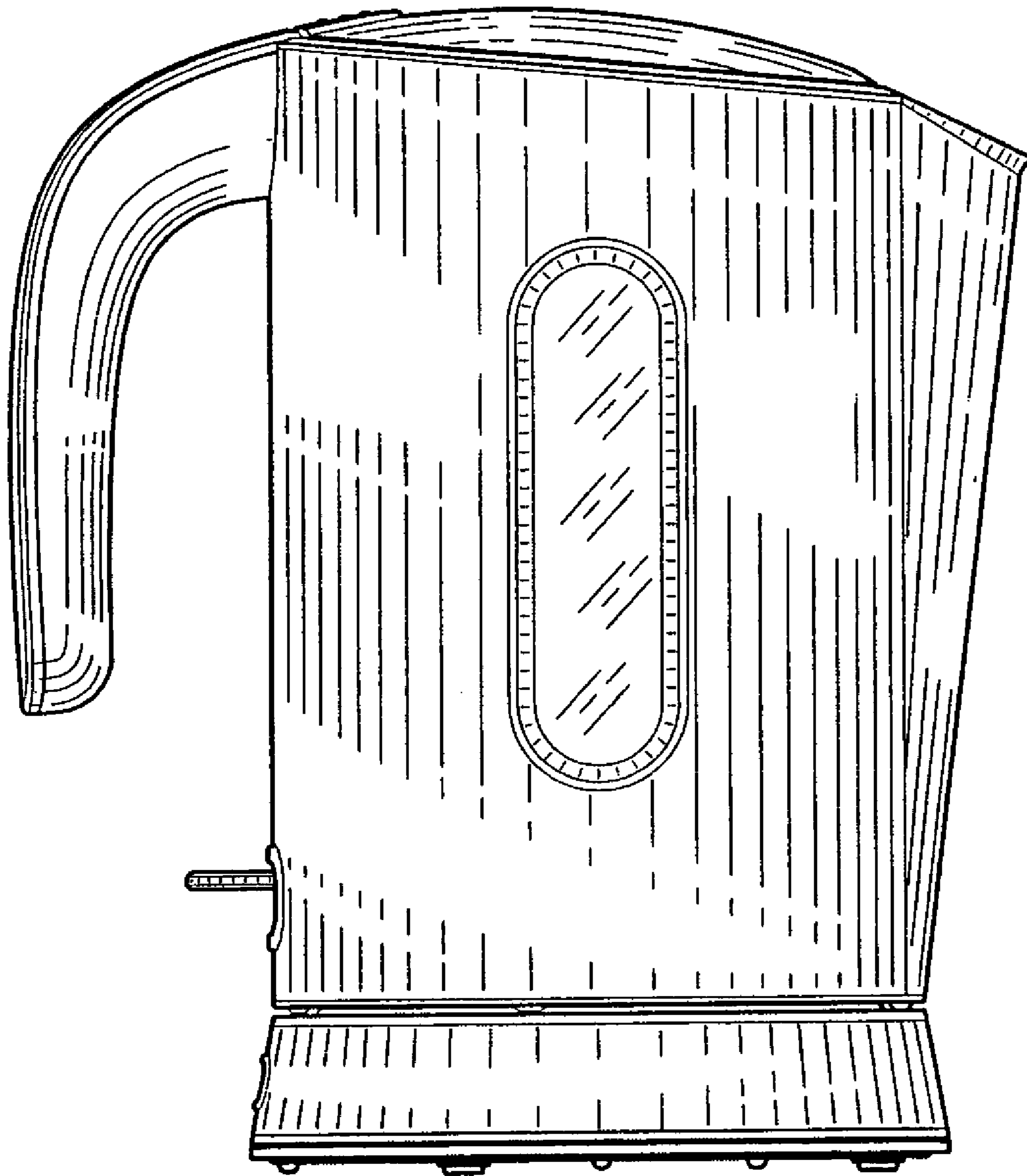


FIG.4

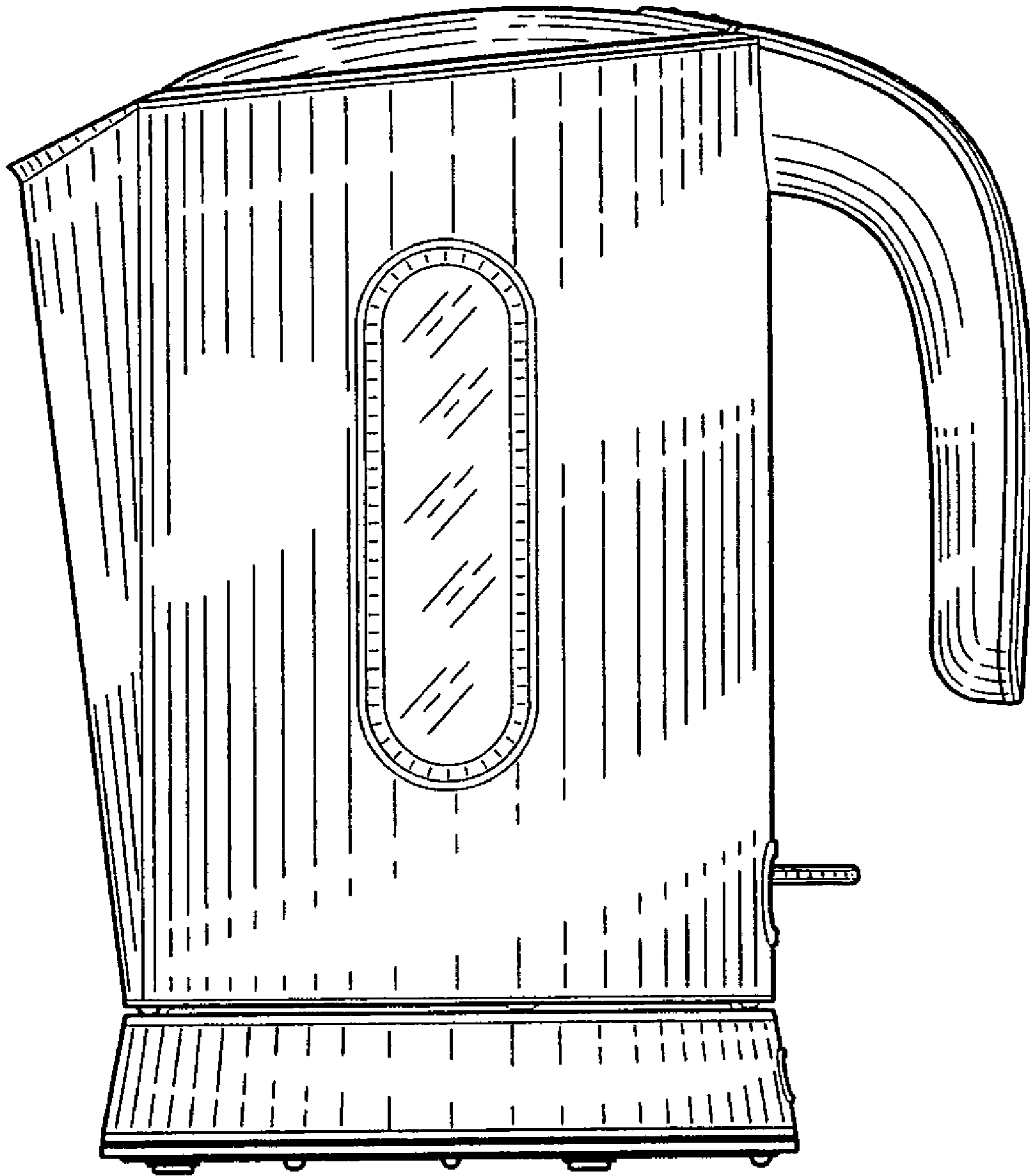


FIG. 5

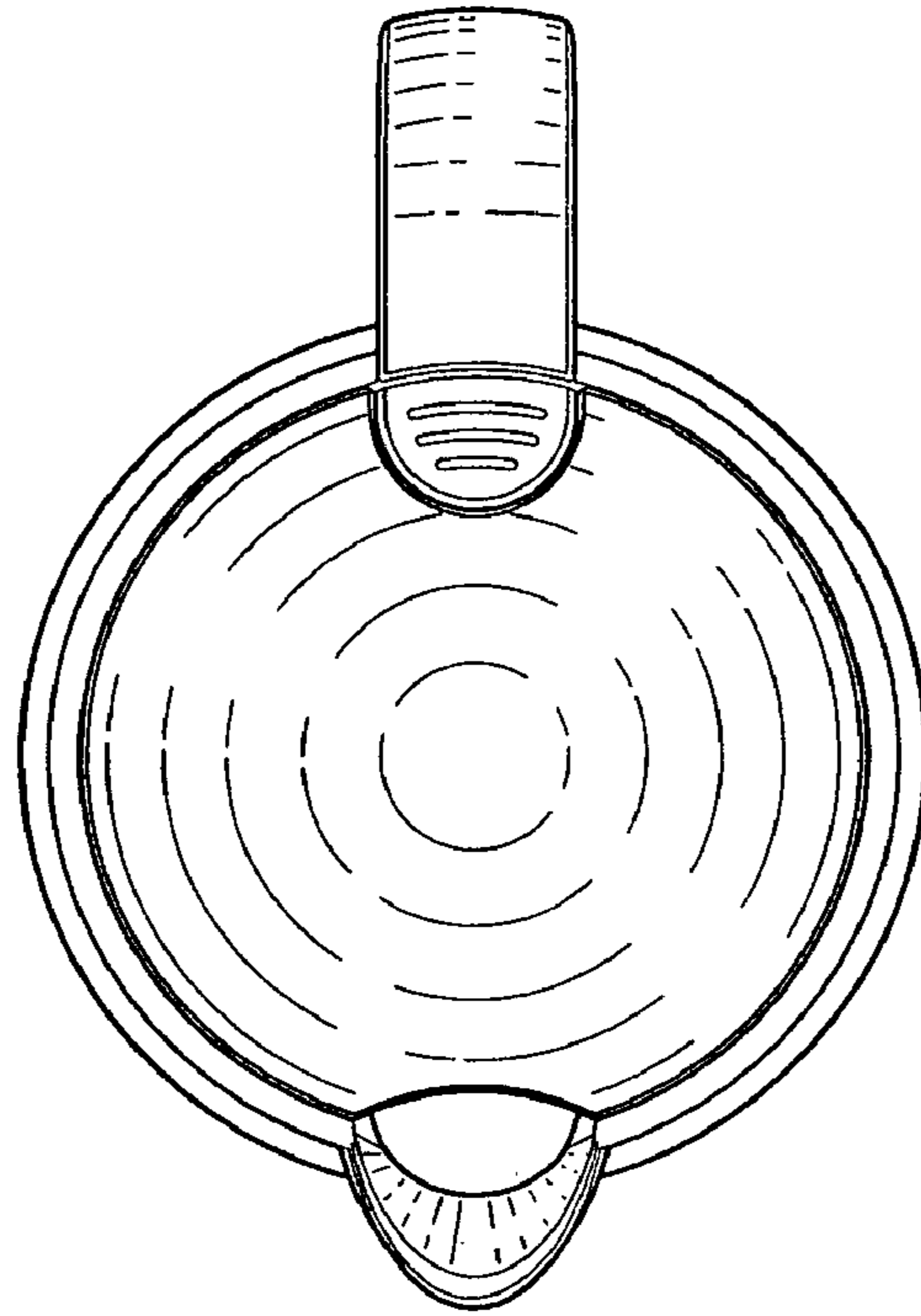


FIG. 6

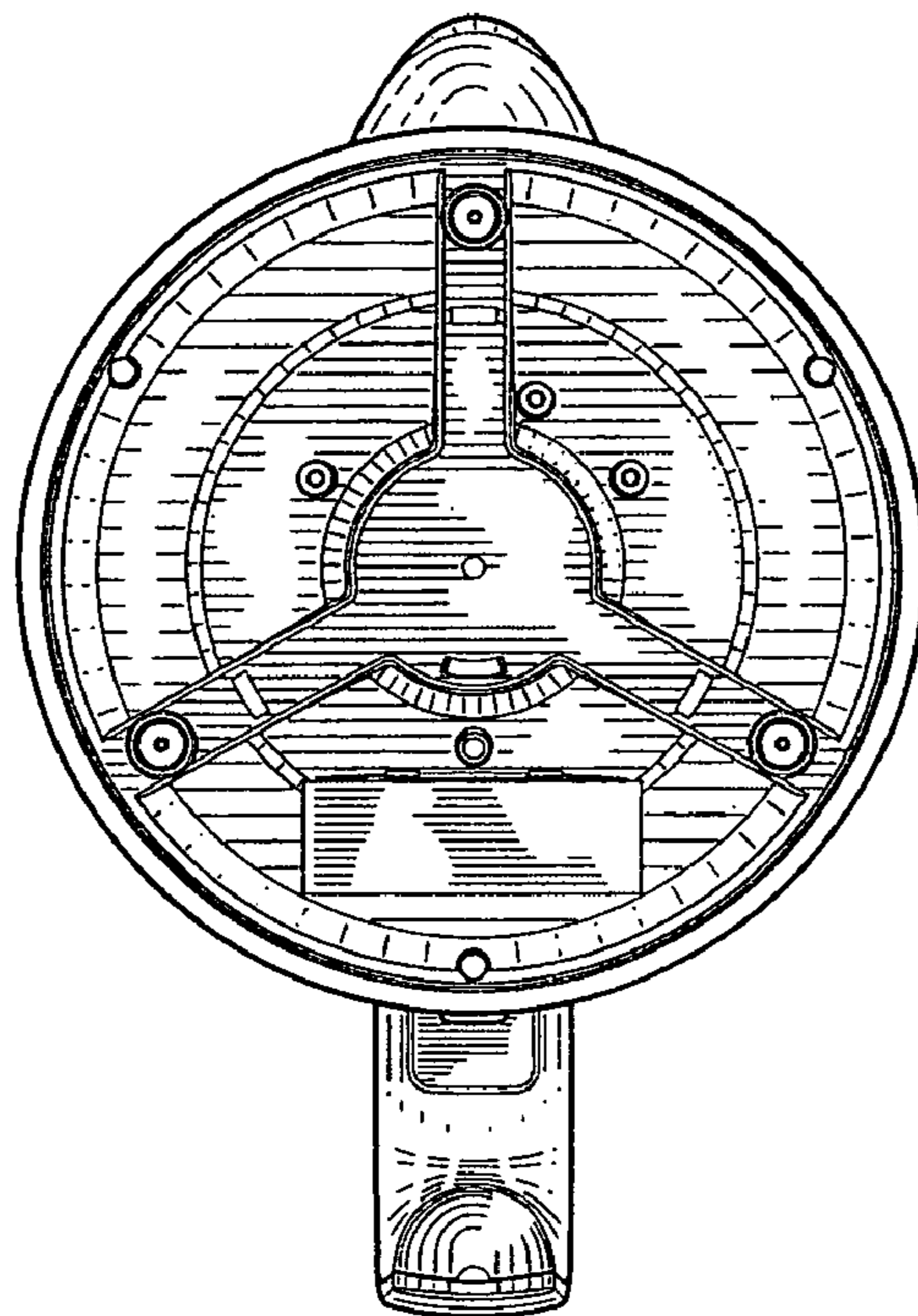


FIG. 7