



US00D545108S

(12) **United States Design Patent**
Stein

(10) **Patent No.:** **US D545,108 S**

(45) **Date of Patent:** **** Jun. 26, 2007**

(54) **FOOTBALL HELMET THEMED BEVERAGE DISPENSER**

(75) Inventor: **David J. Stein**, Columbus, OH (US)

(73) Assignee: **BeerTubes.com LLC**, Columbus, OH (US)

(**) Term: **14 Years**

(21) Appl. No.: **29/262,926**

(22) Filed: **Jul. 13, 2006**

(51) **LOC (8) Cl.** **07-01**

(52) **U.S. Cl.** **D7/301; D7/313; D7/306**

(58) **Field of Classification Search** D7/300,
D7/301, 306, 313, 901, 606, 515; D15/9.3;
D26/128; D9/653, 600, 618, 668; 222/146.6,
222/146.5, 469, 185.1; D20/5; D23/201
See application file for complete search history.

(56) **References Cited**

U.S. PATENT DOCUMENTS

D75,740 S *	7/1928	Look	D7/313
D103,078 S *	2/1937	Harrison	D7/313
D262,711 S *	1/1982	Cox et al.	D7/313
D289,610 S *	5/1987	Neyer	D9/632
D337,242 S *	7/1993	Steinfels, III	D7/623
D344,659 S *	3/1994	Hsu	D7/613
D363,855 S *	11/1995	Van Blankenburg	D7/515
5,485,913 A *	1/1996	Steinfels, III	206/779

D369,529 S *	5/1996	Blankenburg et al.	D7/625
D412,262 S *	7/1999	Roundtree	D7/307
D431,145 S *	9/2000	Woebcke et al.	D7/306
D441,607 S *	5/2001	Steinfels	D7/515
D471,060 S *	3/2003	Salsman	D7/392.1
D499,598 S *	12/2004	Guadalupi	D7/306

* cited by examiner

Primary Examiner—M. N. Pandozzi

(74) *Attorney, Agent, or Firm*—Gallagher & Dawsey Co., LPA; Michael J. Gallagher; David J. Dawsey

(57) **CLAIM**

The design for a football helmet themed beverage dispenser, as shown.

DESCRIPTION

FIG. 1 is a perspective view of a football helmet themed beverage dispenser showing my new design;

FIG. 2 is a front elevation view thereof;

FIG. 3 is a rear elevation view thereof;

FIG. 4 is a right side elevation view thereof;

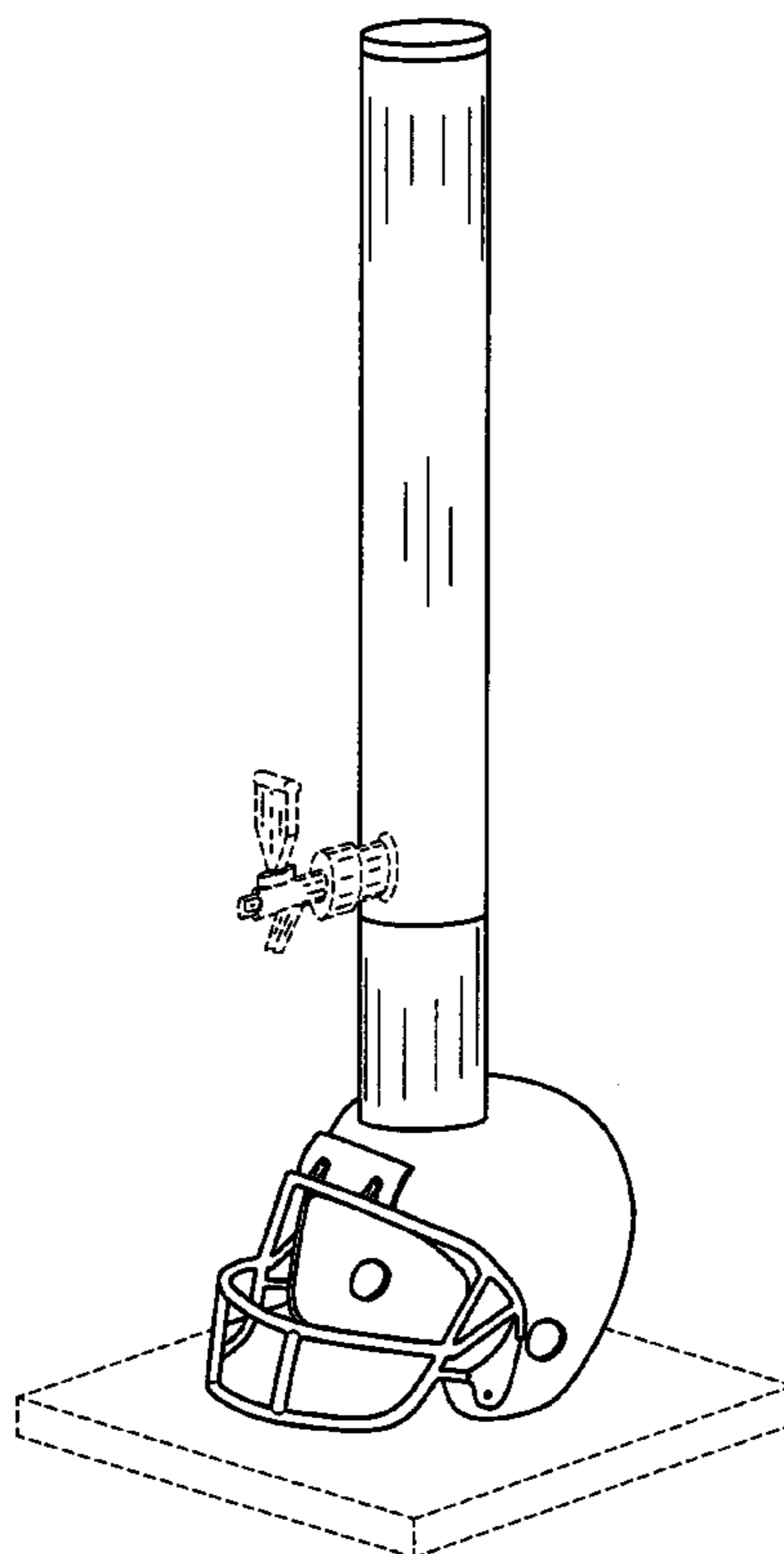
FIG. 5 is a left side elevation view thereof;

FIG. 6 is a top plan view thereof; and,

FIG. 7 is a bottom plan view thereof.

The broken lines are for illustrative purposes only and form no part of the claimed design.

1 Claim, 4 Drawing Sheets



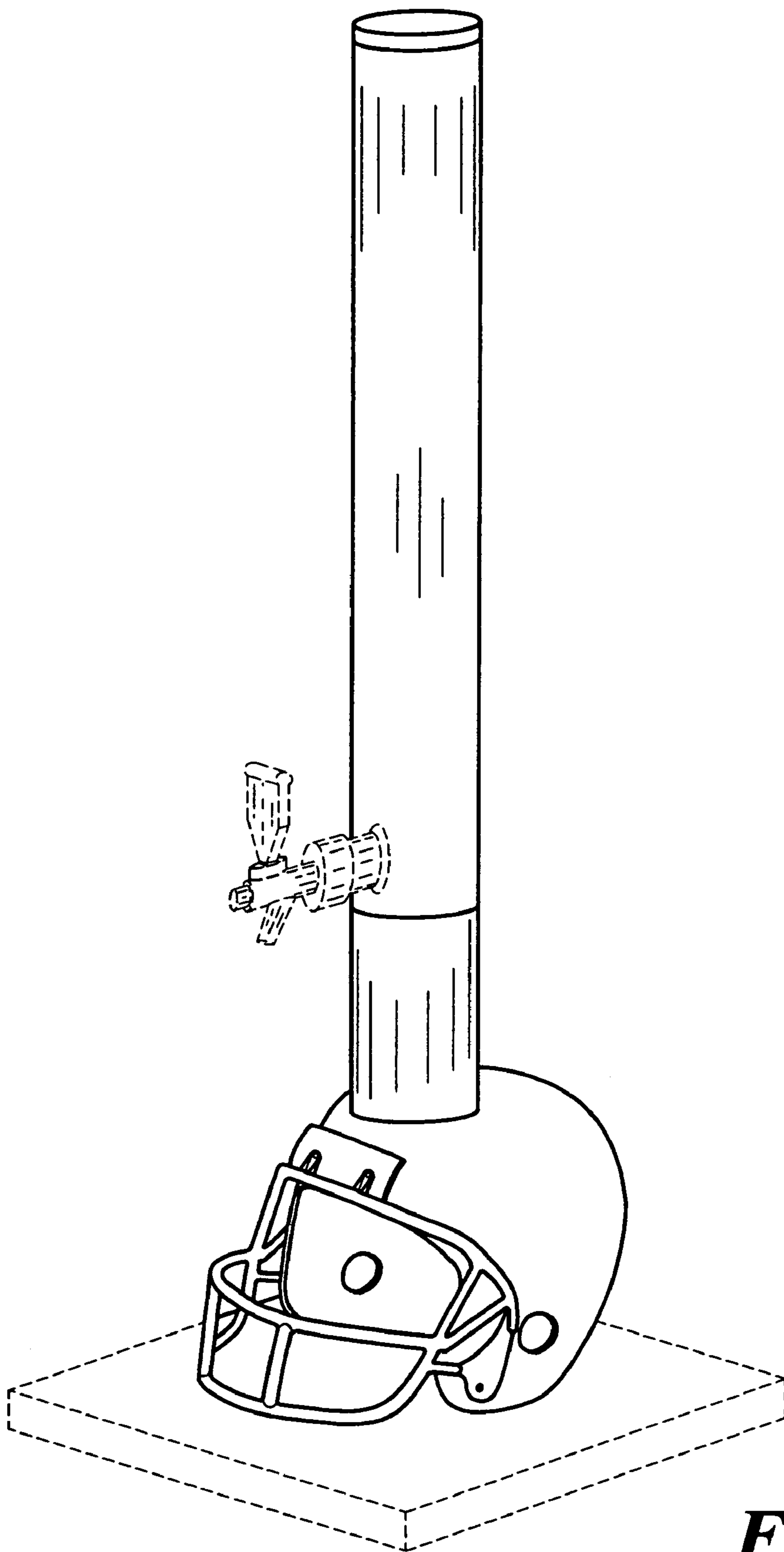


Fig. 1

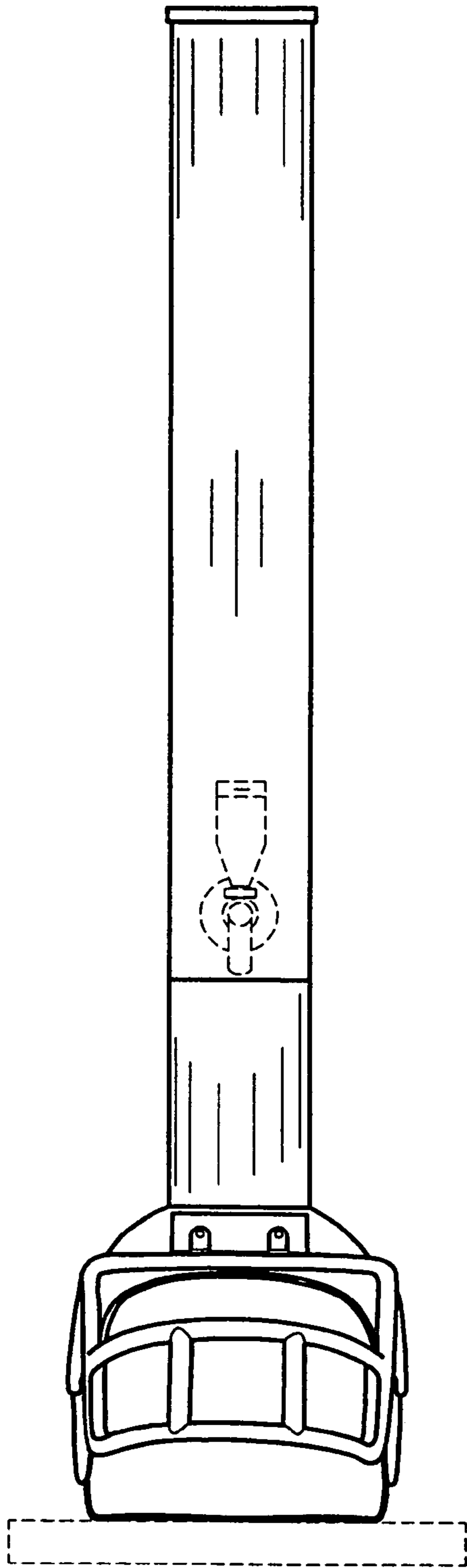


Fig. 2

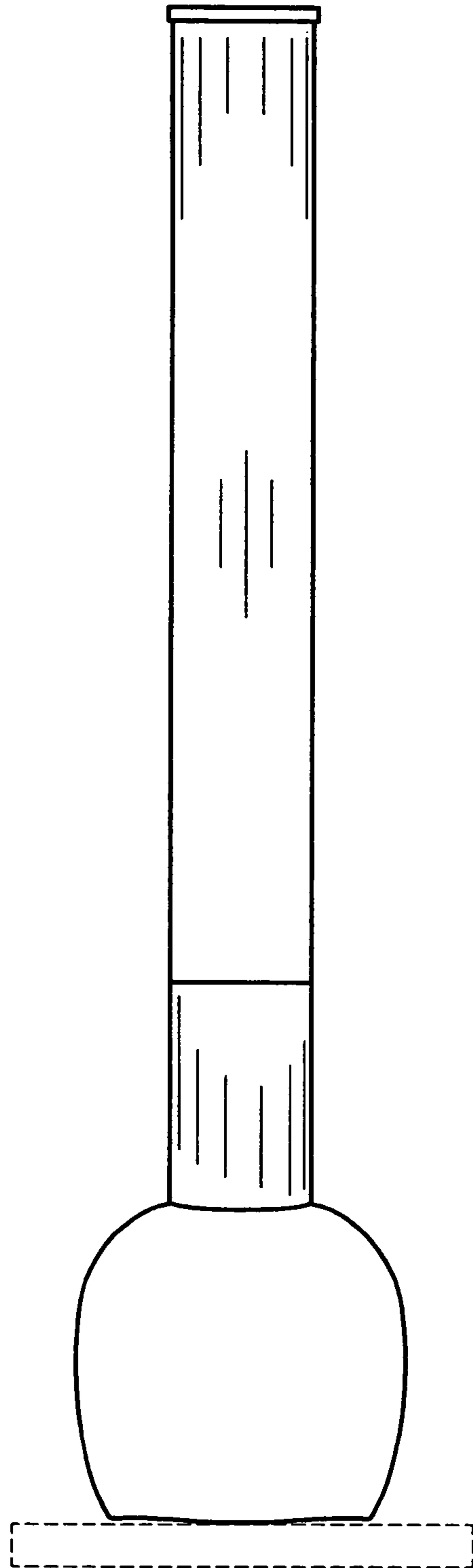


Fig. 3

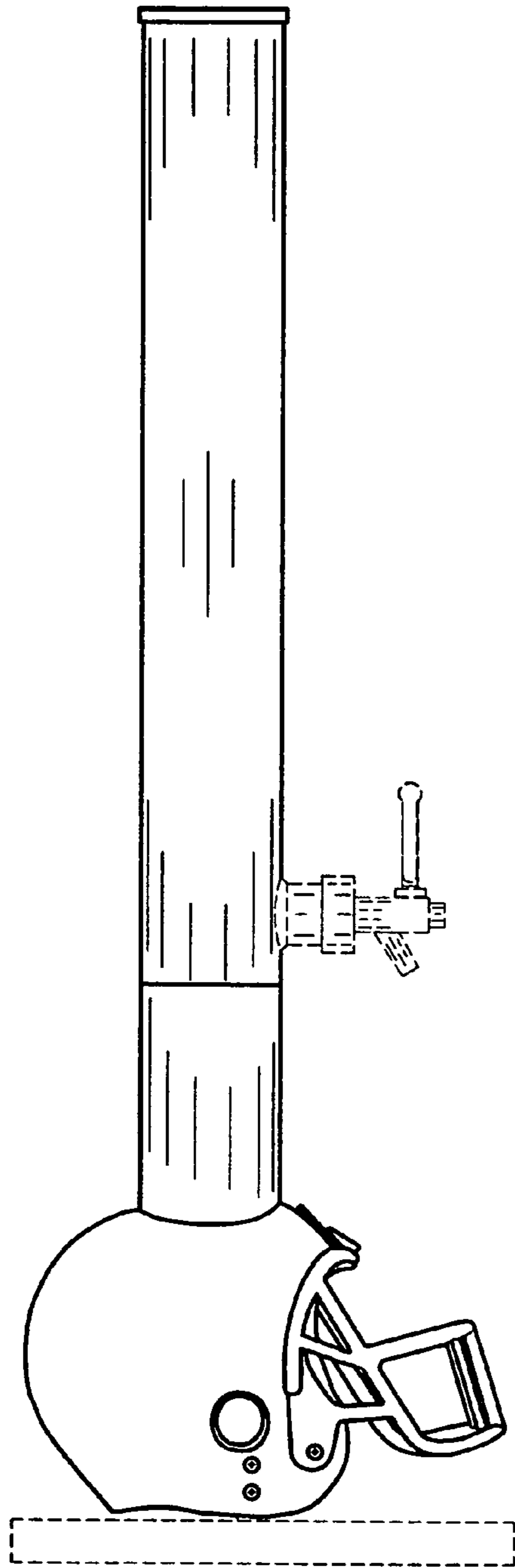


Fig. 4

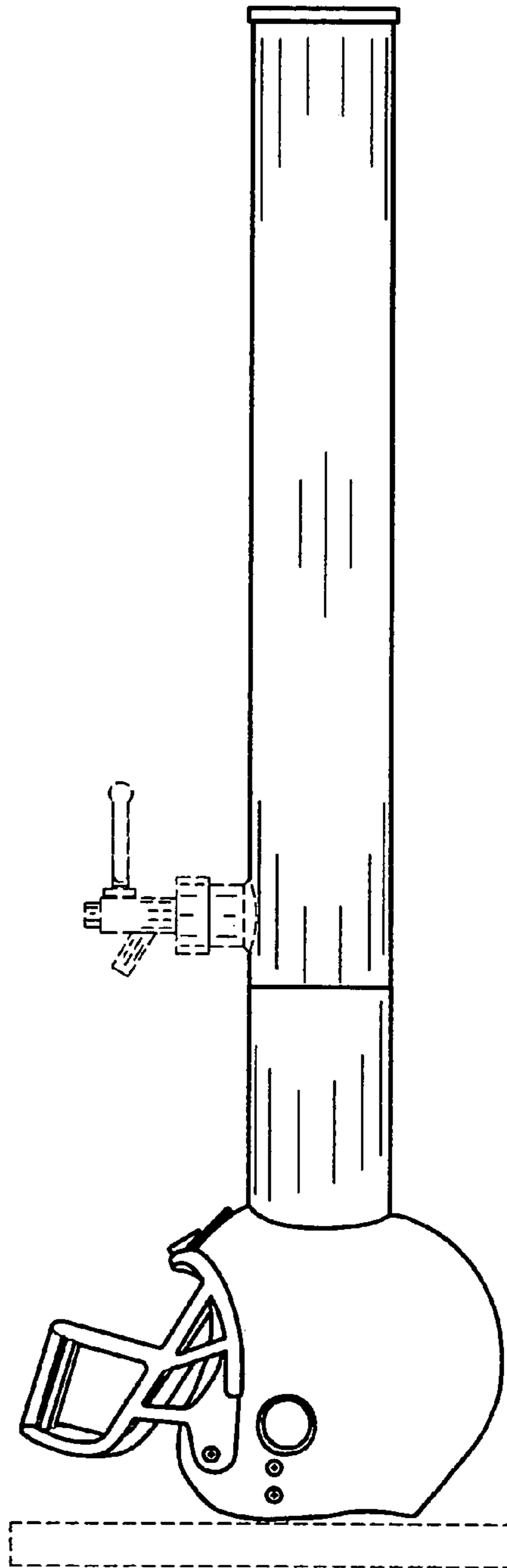


Fig. 5

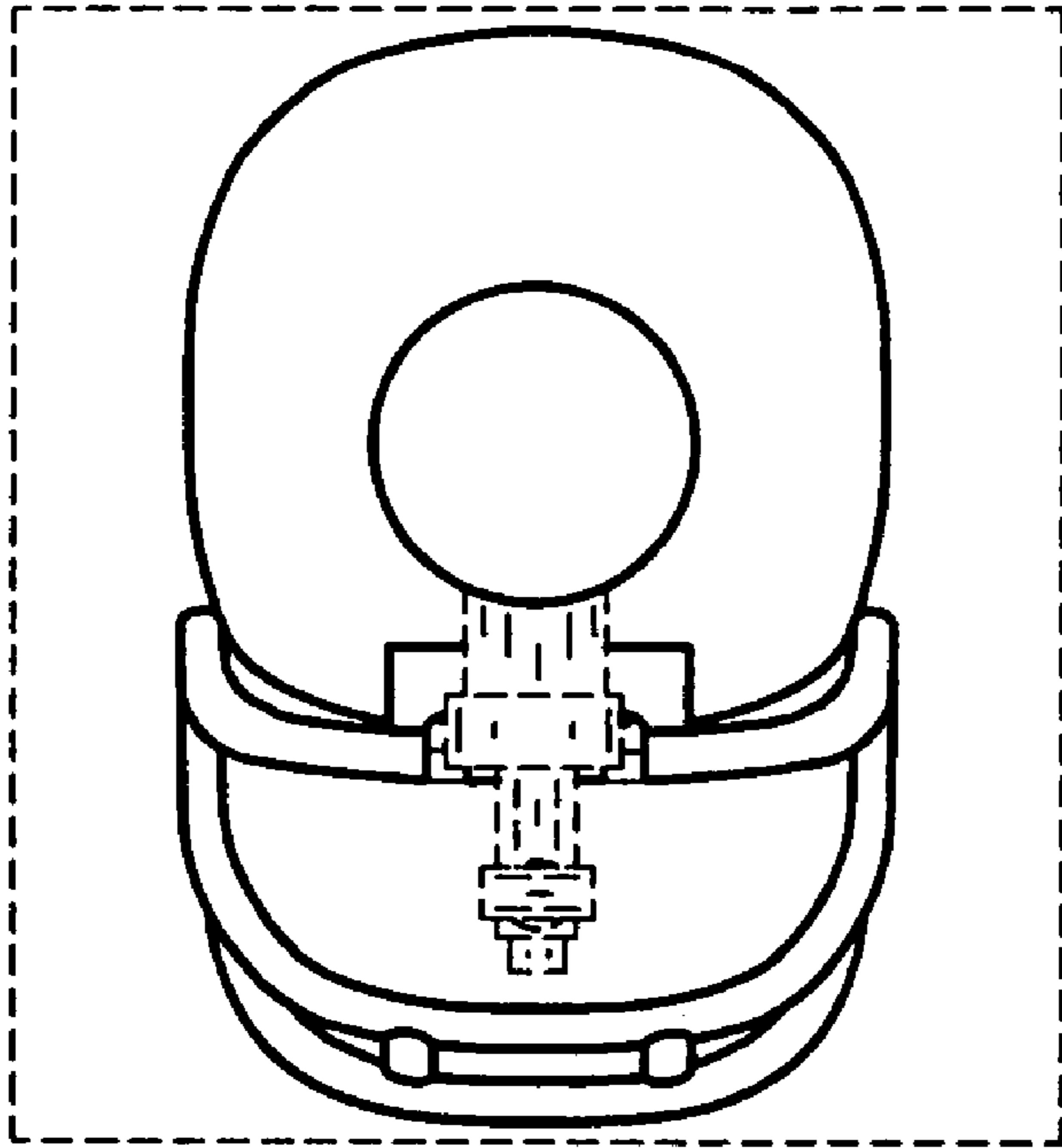


Fig. 6

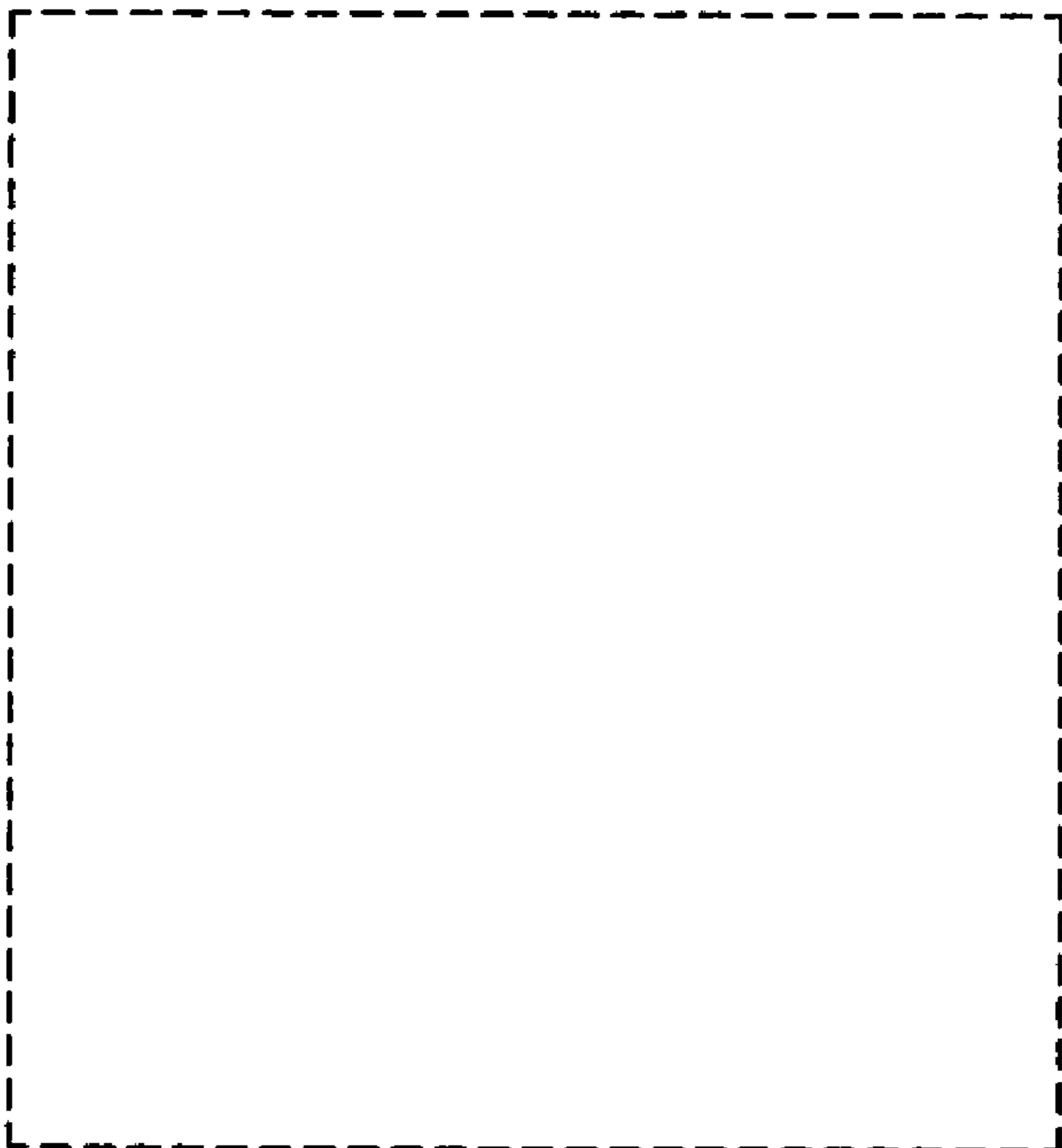


Fig. 7