

US00D545107S

(12) **United States Design Patent**  
**Hiramatsu**

(10) **Patent No.:** **US D545,107 S**  
(45) **Date of Patent:** **\*\* Jun. 26, 2007**

(54) **RECORDING MEDIUM CONTAINER**

(57) **CLAIM**

(75) Inventor: **Susumu Hiramatsu**, Tokyo (JP)

The ornamental design for a recording medium container, as shown and described.

(73) Assignee: **Tenma Corporation**, Tokyo (JP)

(\*\*) Term: **14 Years**

(21) Appl. No.: **29/188,905**

(22) Filed: **Aug. 27, 2003**

(51) **LOC (8) Cl.** ..... **06-01**

(52) **U.S. Cl.** ..... **D6/634**

(58) **Field of Classification Search** ..... D6/407,  
D6/629, 630, 631, 632, 633, 634; 206/307,  
206/307.1, 308.1, 309-313, 209; 211/40,  
211/41.1, 41.12, 126.1; D9/415, 420, 423,  
D9/432; 40/721; D19/75

See application file for complete search history.

(56) **References Cited**

**U.S. PATENT DOCUMENTS**

D411,071	S *	6/1999	Cerda-Vicedo	.....	D6/632
5,944,181	A *	8/1999	Lau	.....	206/308.1
D422,428	S *	4/2000	Pijanowski et al.	.....	D6/407
6,065,594	A *	5/2000	Sankey et al.	.....	206/310
6,119,857	A *	9/2000	Stumpff	.....	206/308.1
6,164,446	A *	12/2000	Law	.....	206/308.1
6,206,186	B1 *	3/2001	Cerda-Vilaplana	.....	206/308.1
			et al.	.....	206/308.1
6,227,362	B1 *	5/2001	Cheung	.....	206/308.1
6,237,763	B1 *	5/2001	Lau	.....	206/308.1
6,250,461	B1 *	6/2001	Hu	.....	206/310
6,293,396	B1 *	9/2001	Takahashi et al.	.....	206/310

(Continued)

**FOREIGN PATENT DOCUMENTS**

JP 3089234 7/2002

*Primary Examiner*—Ian Simmons

*Assistant Examiner*—Charles Hanson

(74) *Attorney, Agent, or Firm*—Westerman, Hattori, Daniels & Adrian, LLP.

**DESCRIPTION**

The article to which the design is to be applied is a container for a recording medium, such as a CD, DVD and MD, which comprises two lids capable of being opened to right and left, wherein: each of the lids has a projected holder for easily holding the medium in the cavity provided in each of the lids at the central hole of the medium and removing the medium under conditions wherein the lids are opened, together with a projection in the form of an arc for protecting the outer edge of the medium; and one of the lids has a pamphlet holder.

FIG. 1 is a front elevation view of a recording medium container showing the new design, in a closed condition;

FIG. 2 is a rear elevation view thereof;

FIG. 3 is a top view thereof;

FIG. 4 is a right side view thereof;

FIG. 5 is a left side view thereof;

FIG. 6 is a front, left side perspective view thereof;

FIG. 7 is a front elevation view thereof, in an opened condition and drawn on a reduced scale;

FIG. 8 is a right side view thereof, in an opened condition and drawn on a reduced scale;

FIG. 9 is a cross-sectional view thereof, taken along line 9-9 in FIG. 7;

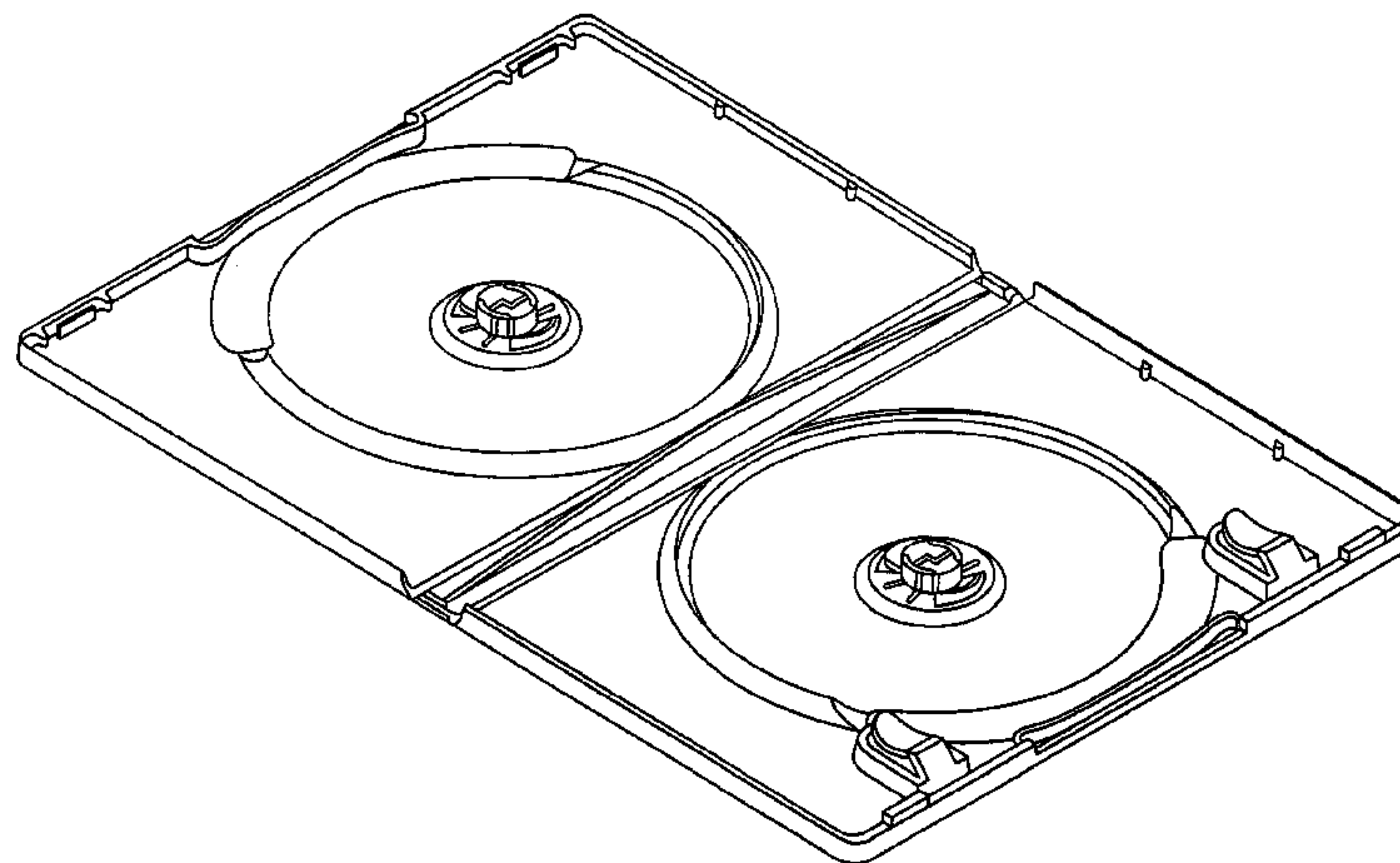
FIG. 10 is an enlarged portion of a top plan view thereof, taken along line 10-10 in FIG. 7;

FIG. 11 is a cross-section view thereof, taken along line 11-11 in FIG. 10;

FIG. 12 is a cross-section view thereof, taken along line 12-12 in FIG. 10; and,

FIG. 13 is a front, right side perspective view thereof, in an opened condition drawn on a reduced scale.

**1 Claim, 9 Drawing Sheets**



# US D545,107 S

Page 2

---

## U.S. PATENT DOCUMENTS

6,398,022	B1 *	6/2002	Mou et al. ....	206/308.1	6,719,133	B2 *	4/2004	Perez et al. ....	206/308.2
D459,935	S *	7/2002	Takahashi et al. ....	D6/634	6,729,469	B1 *	5/2004	Yau et al. ....	206/308.1
6,412,631	B2 *	7/2002	Belden, Jr. ....	206/308.1	D493,661	S *	8/2004	Yau ....	D6/635
6,419,084	B1 *	7/2002	Sandor ....	206/308.1	D495,913	S *	9/2004	Hsiao ....	D6/635
6,425,481	B1 *	7/2002	Choi ....	206/308.1	6,789,667	B2 *	9/2004	Belden et al. ....	206/310
6,464,073	B1 *	10/2002	Tang ....	206/310	6,799,679	B2 *	10/2004	Hui ....	206/308.1
D470,707	S *	2/2003	Lopez Mas ....	D6/634	D519,772	S *	5/2006	Jun ....	D6/632
6,547,068	B2 *	4/2003	Chu ....	206/310	D519,773	S *	5/2006	Jun ....	D6/632
6,712,203	B2 *	3/2004	Chung ....	206/308.1	D522,791	S *	6/2006	Ho ....	D6/634

\* cited by examiner

Fig. 1

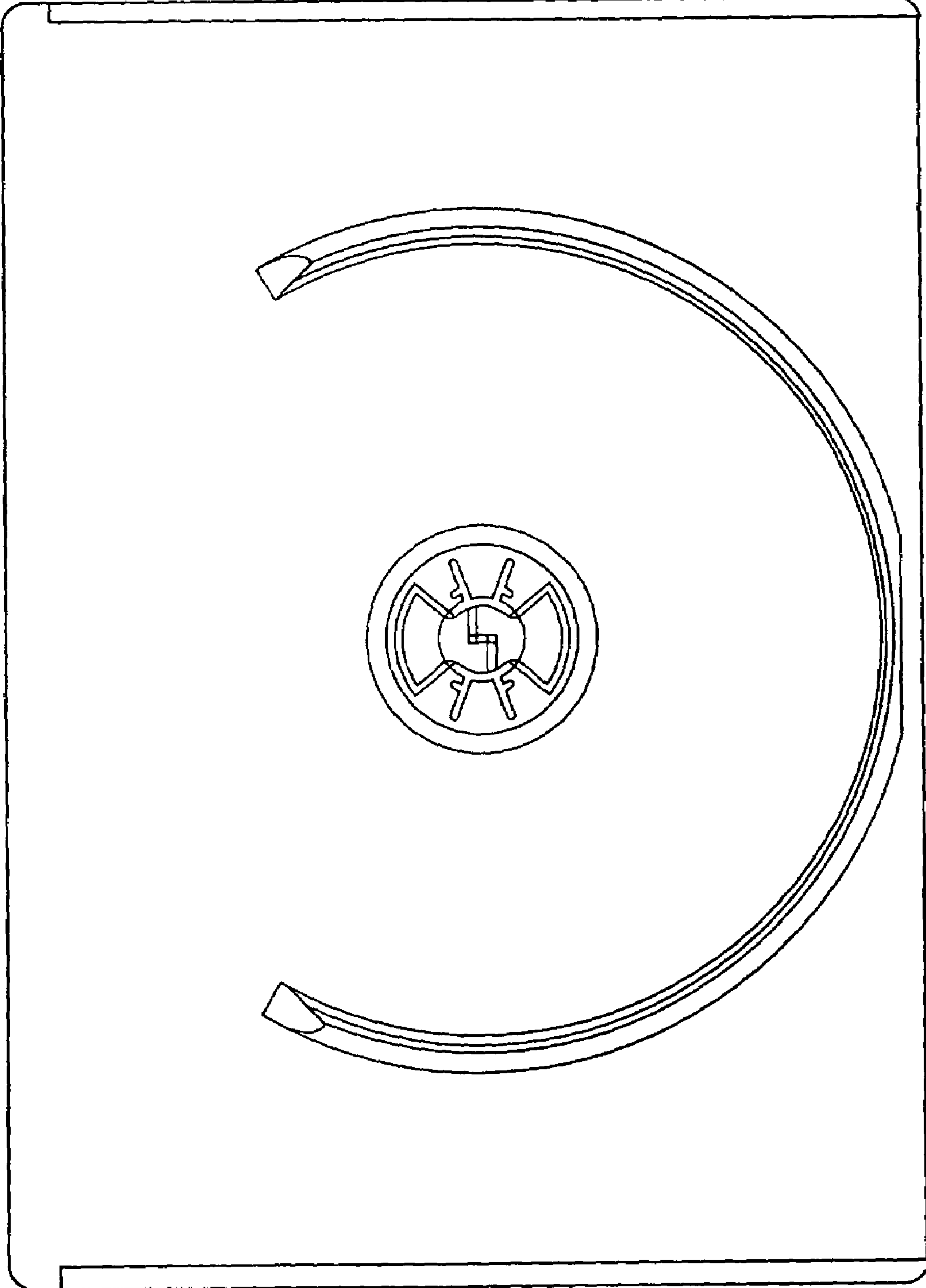


Fig.2

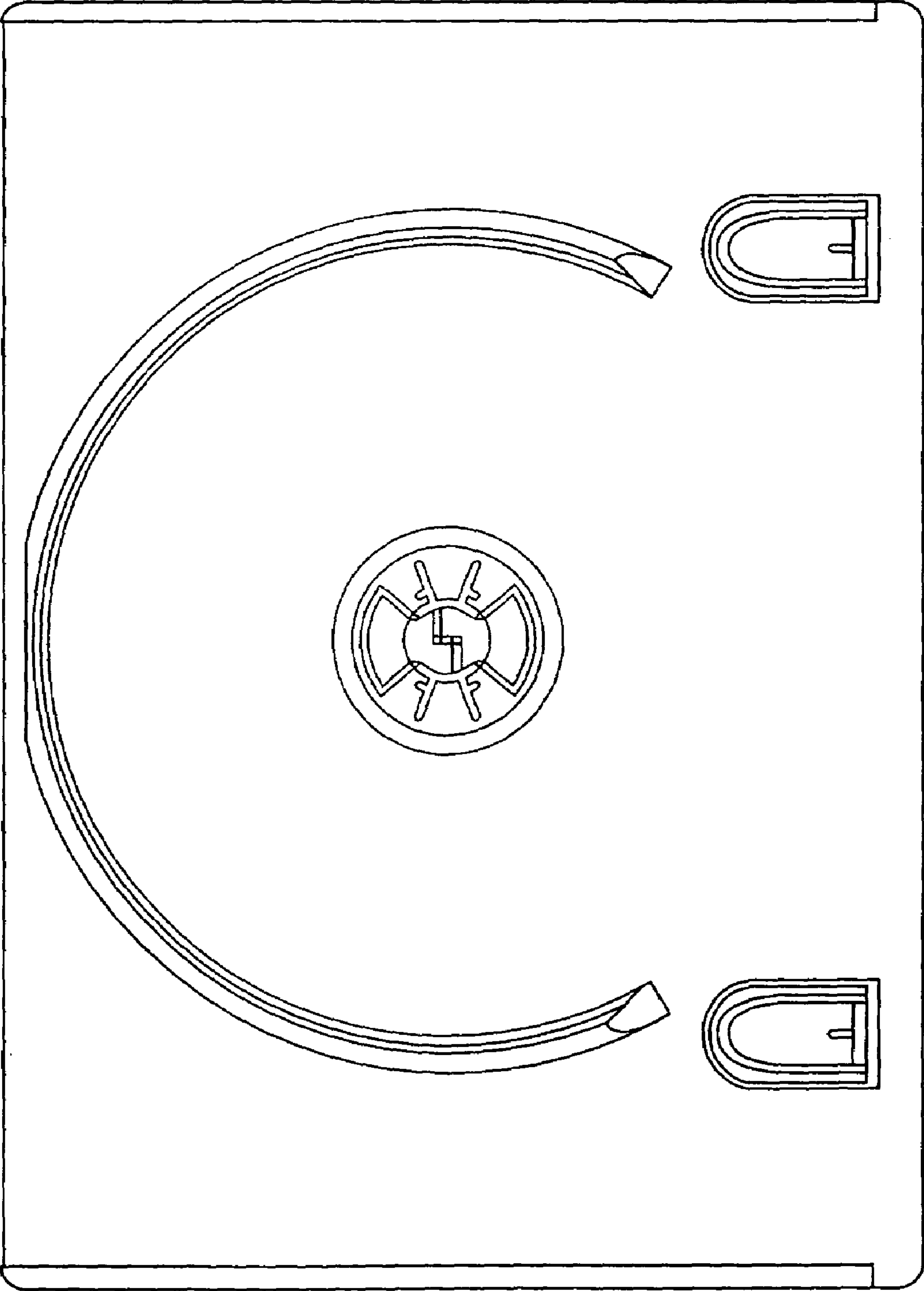


Fig.3

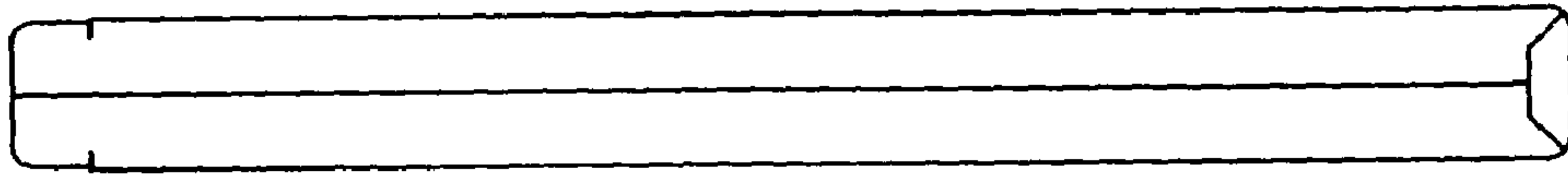


Fig.4

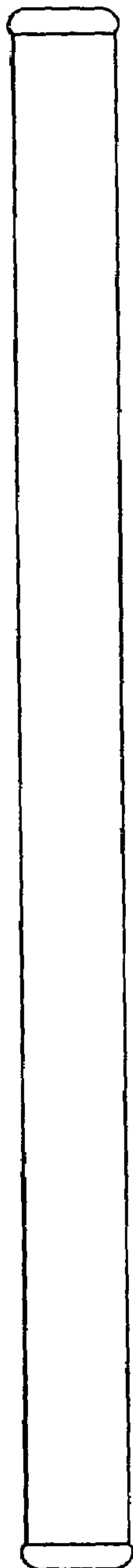
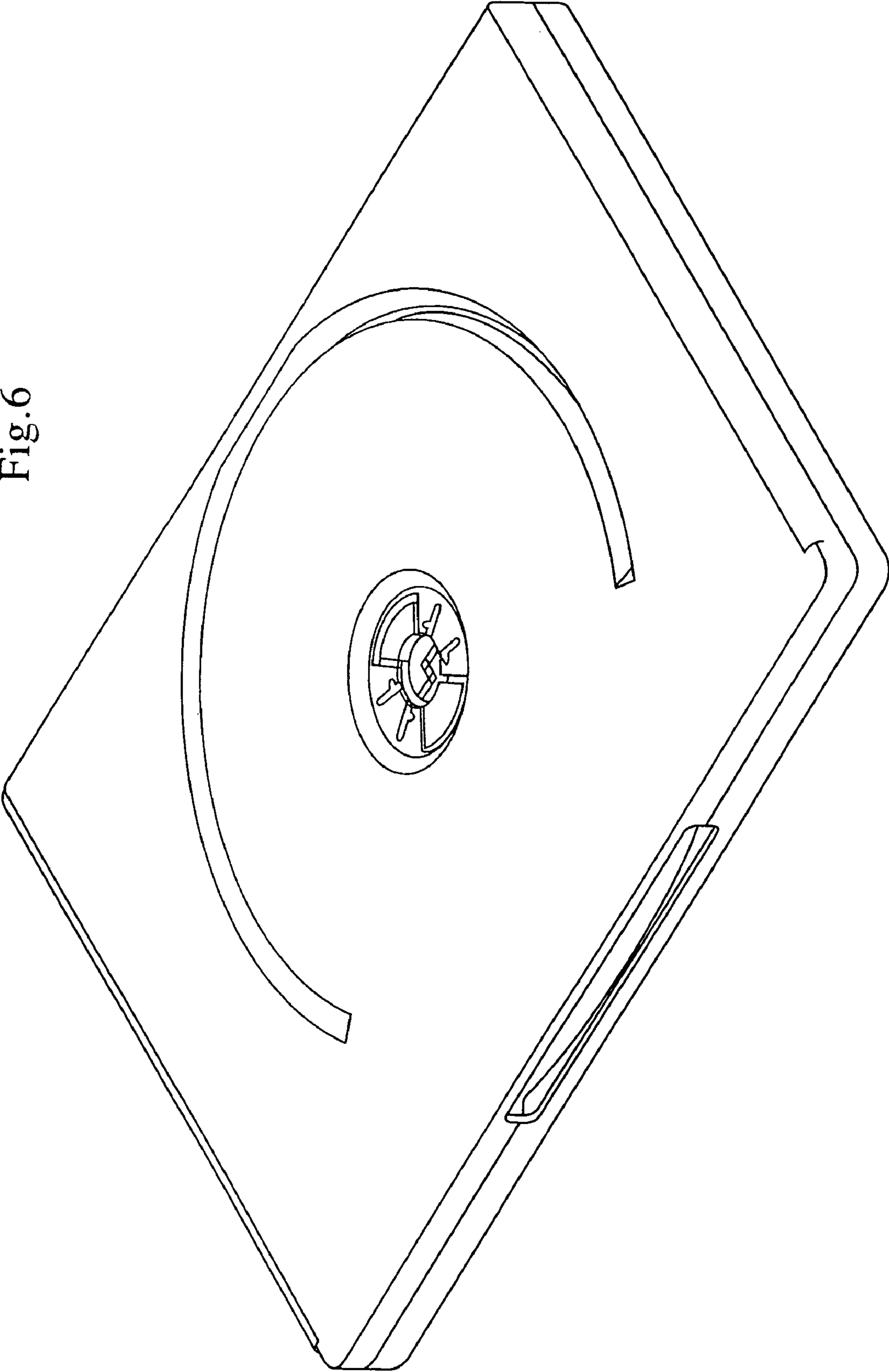


Fig.5





Fig.6



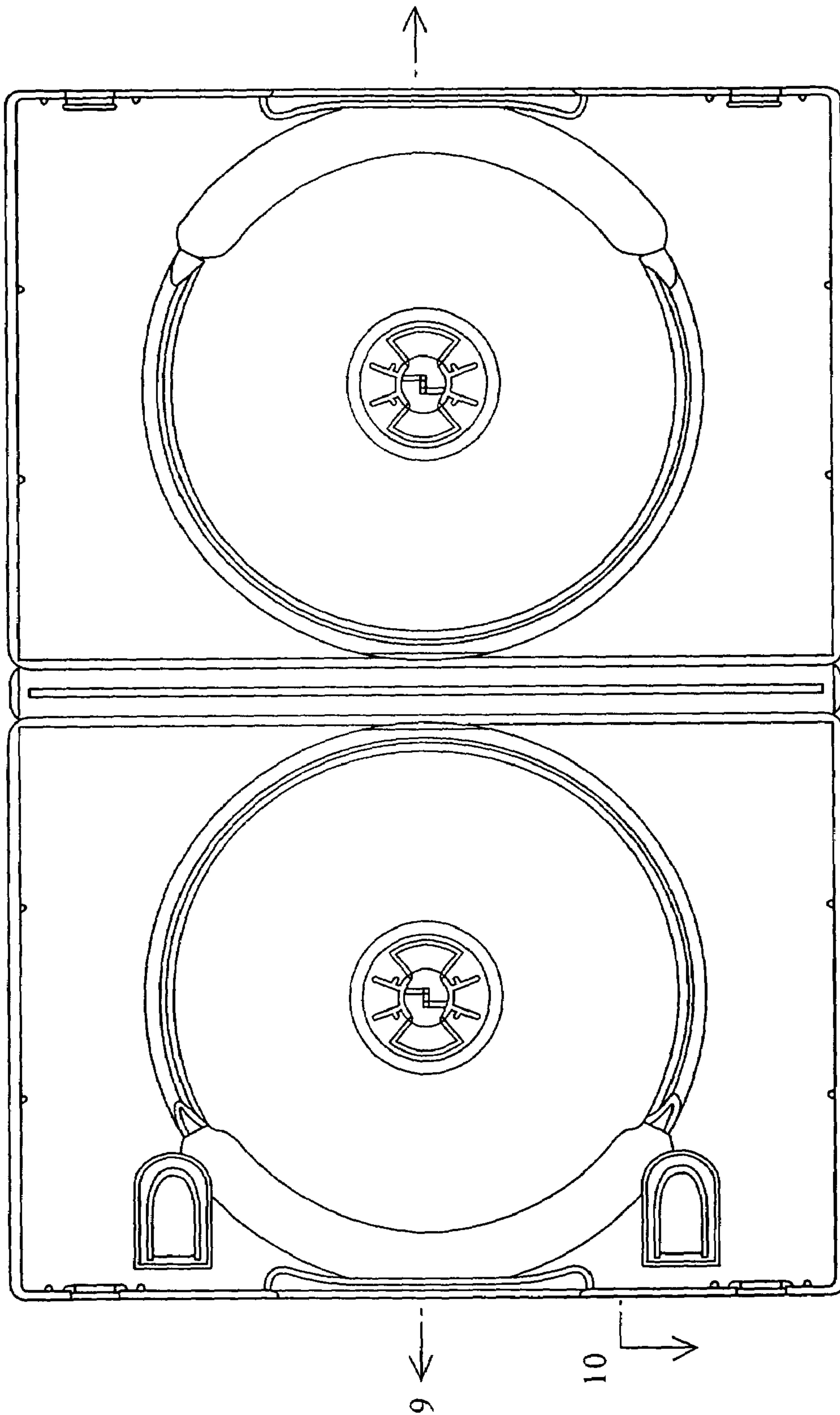


Fig. 7

Fig.8





Fig. 9

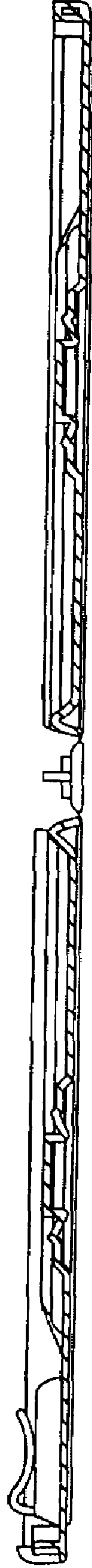


Fig. 10

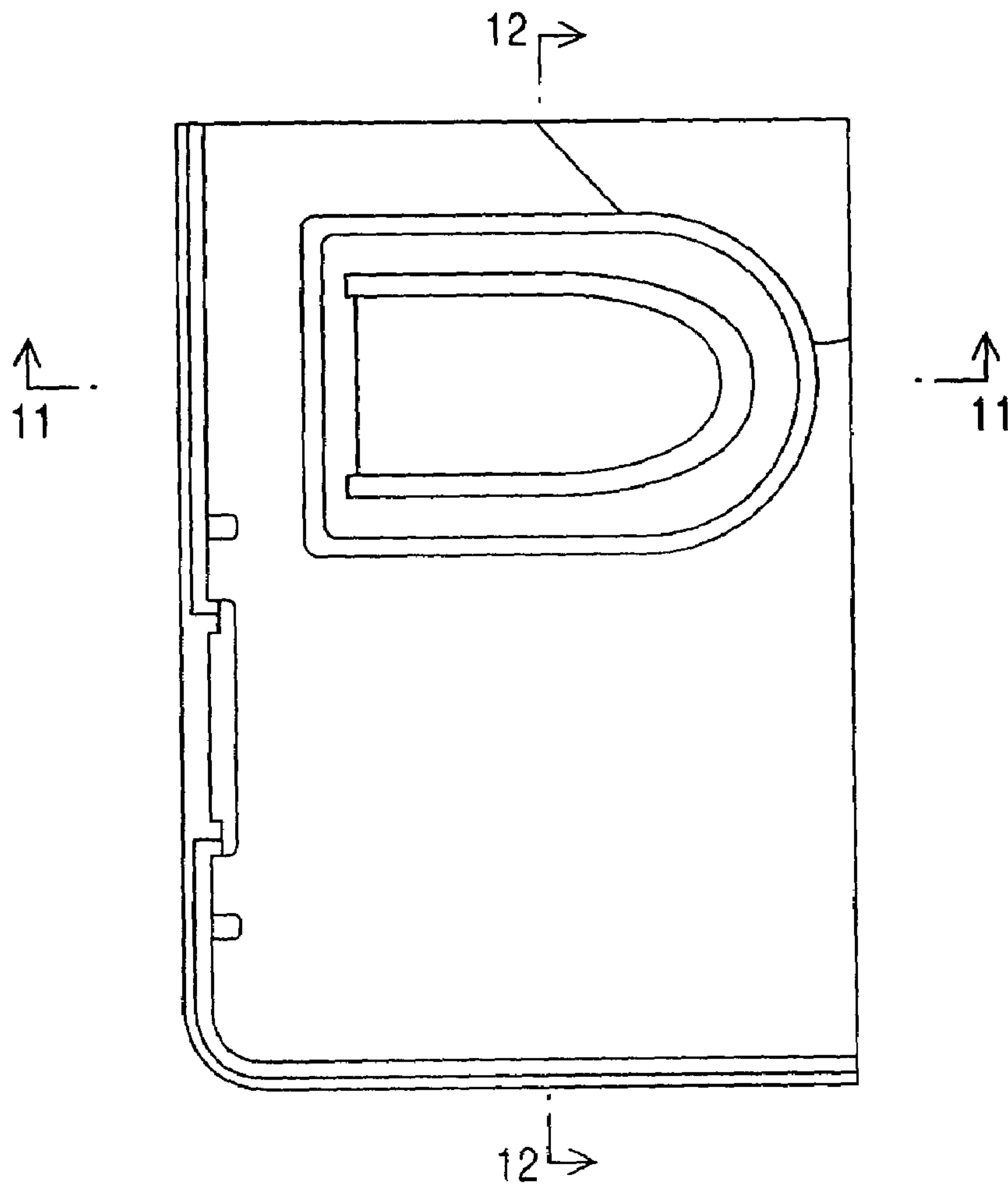


Fig. 11

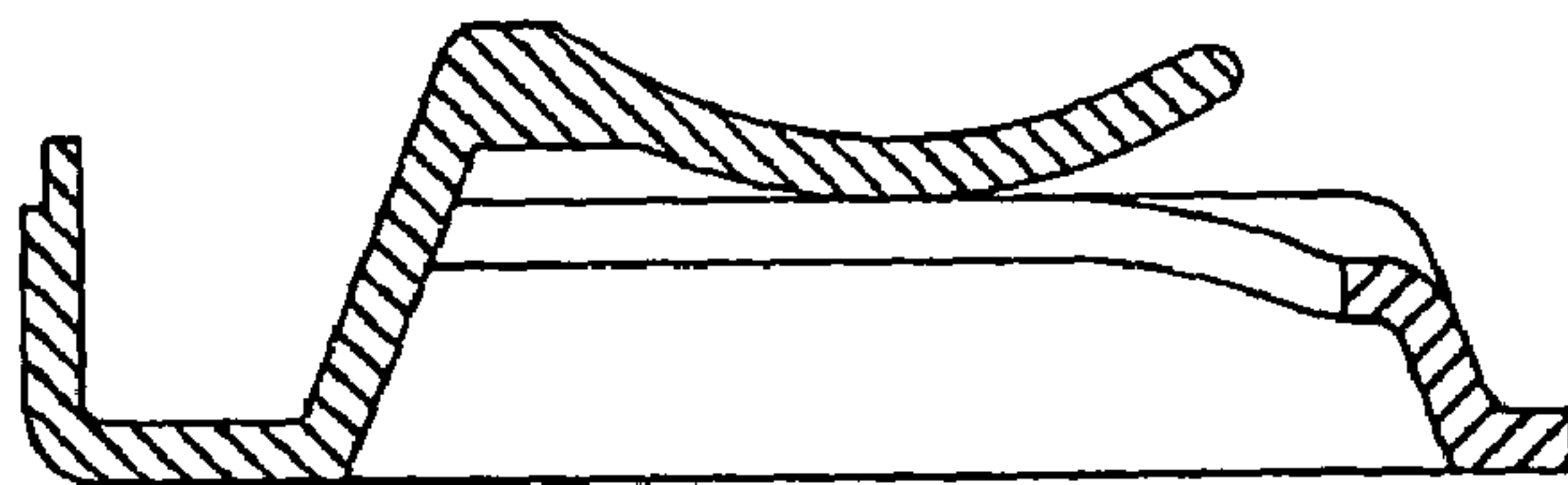


Fig. 12

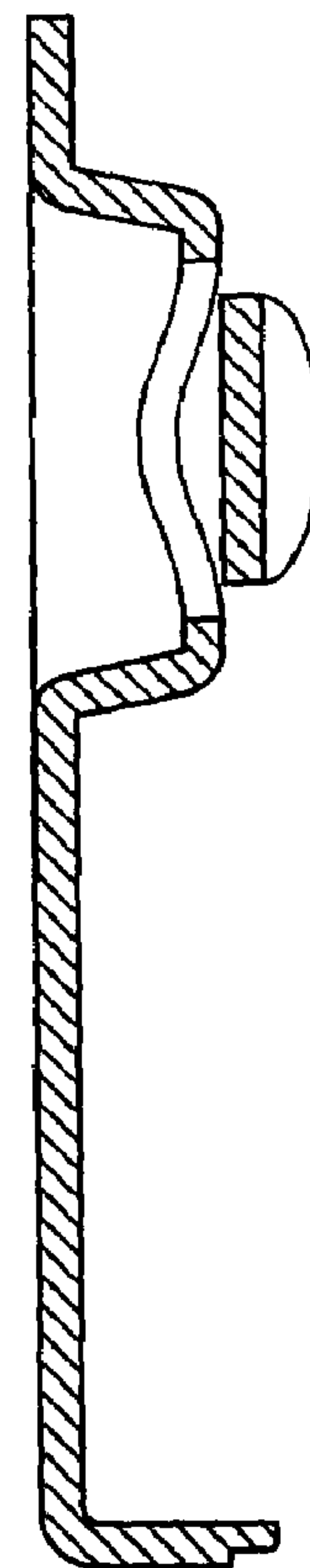


Fig. 13

