



US00D545099S

(12) **United States Design Patent**  
**Fernandez, Jr.**

(10) **Patent No.:** **US D545,099 S**  
(45) **Date of Patent:** **\*\* Jun. 26, 2007**

- (54) **BATHROOM ORGANIZER**
- (75) Inventor: **Ronald E. Fernandez, Jr.**, Broken Arrow, OK (US)
- (73) Assignee: **Hide-Away Ironing Boards, Inc.**, Broken Arrow, OK (US)
- (\*\*) Term: **14 Years**
- (21) Appl. No.: **29/226,577**
- (22) Filed: **Mar. 30, 2005**
- (51) **LOC (8) Cl.** ..... **23-02**
- (52) **U.S. Cl.** ..... **D6/524**
- (58) **Field of Classification Search** ..... D6/515-524, D6/542, 546-550; 211/13.1, 87.01, 88.01, 211/88.04; 206/389; 242/570, 590; 248/309.1  
See application file for complete search history.

- D396,162 S 7/1998 Mutti
- D396,163 S 7/1998 Mutti
- D416,156 S 11/1999 Mutti
- 6,212,708 B1 4/2001 Mulaw
- 6,692,091 B2 2/2004 Mulaw
- D493,313 S \* 7/2004 Hoernig ..... D6/524

\* cited by examiner

*Primary Examiner*—Brian N Vinson  
(74) *Attorney, Agent, or Firm*—Frank J. Catalano

(57) **CLAIM**

I claim the ornamental design for bathroom organizer, as shown.

**DESCRIPTION**

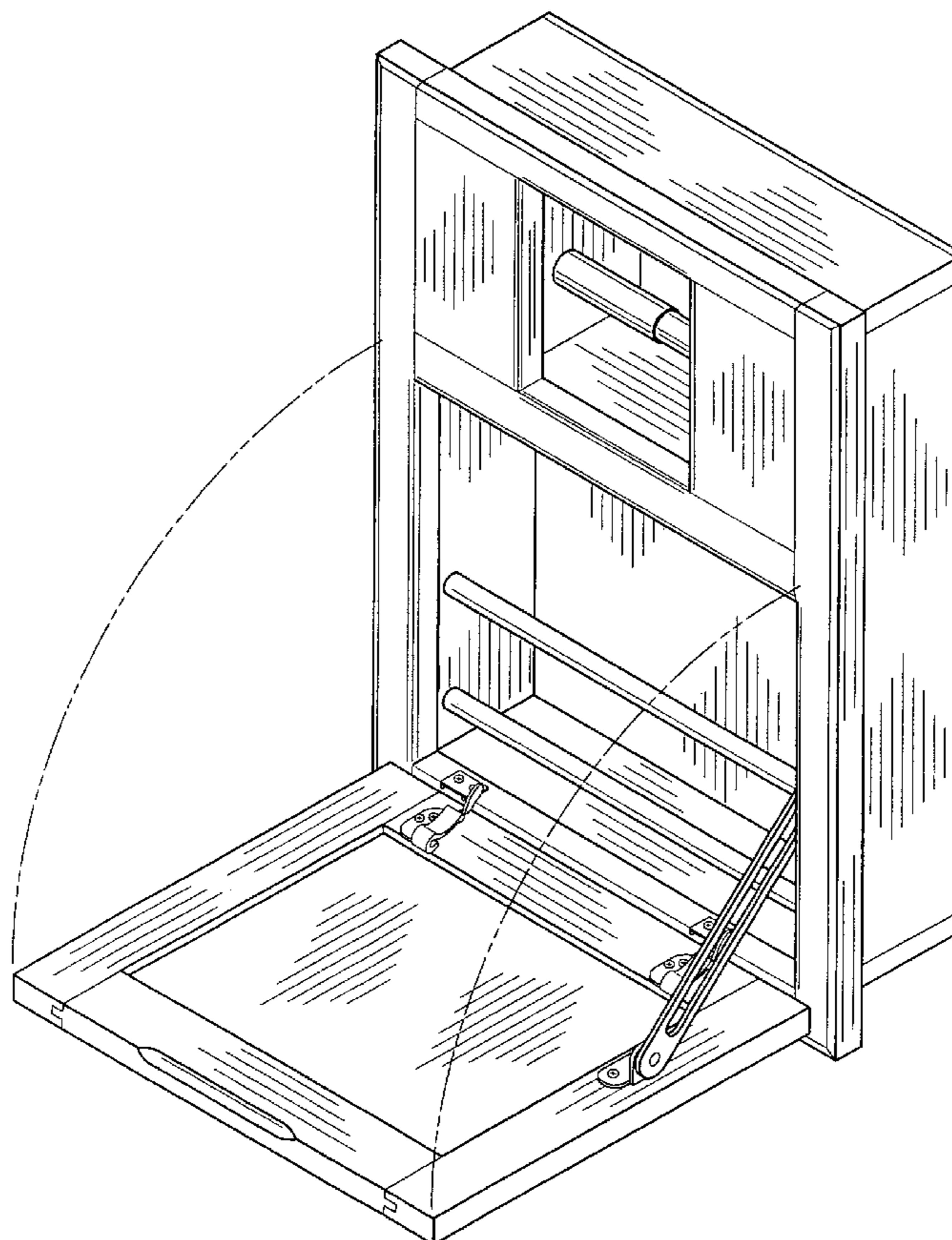
FIG. 1 is a perspective view with door open;  
FIG. 2 is a front elevational view with door open;  
FIG. 3 is a front elevational view with door closed;  
FIG. 4 is a right side elevational view with door closed;  
FIG. 5 is a left side elevational view with door closed;  
FIG. 6 is a top plan view with door closed;  
FIG. 7 is a bottom plan view with door closed; and,  
FIG. 8 is a rear elevational view.

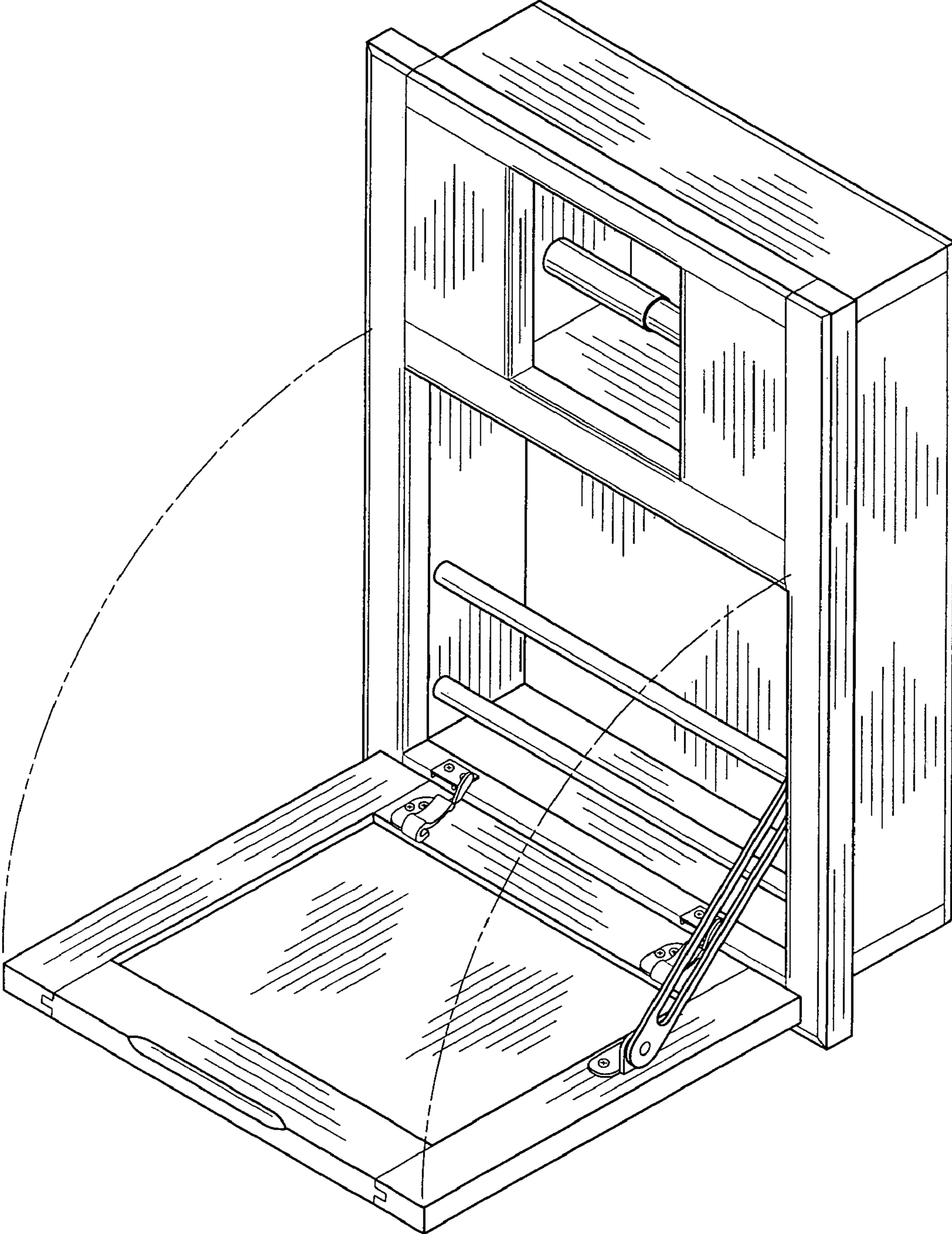
**1 Claim, 4 Drawing Sheets**

(56) **References Cited**

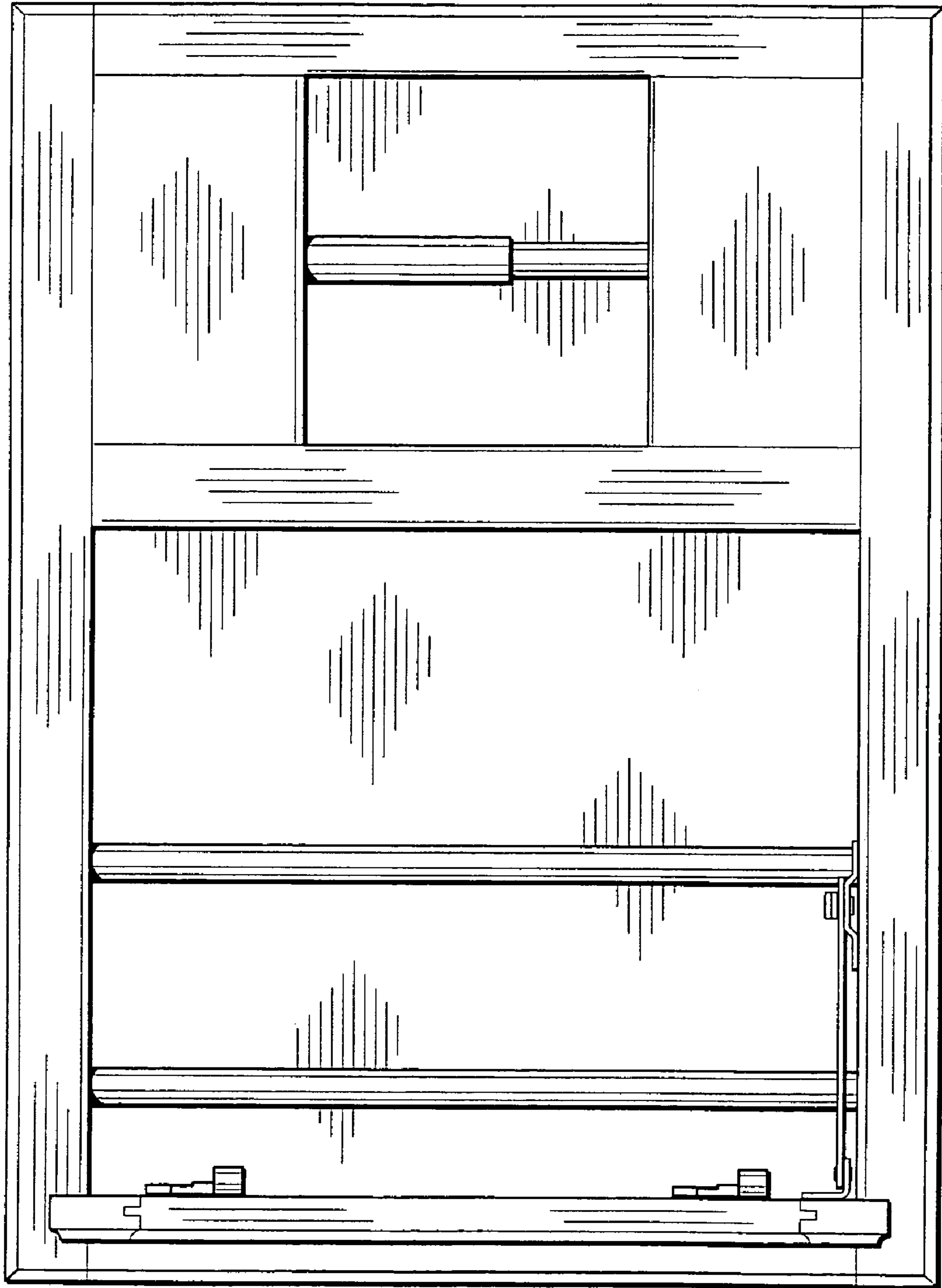
U.S. PATENT DOCUMENTS

- D326,974 S \* 6/1992 Grassie ..... D6/524
- D338,361 S \* 8/1993 Hines ..... D6/524
- D343,974 S \* 2/1994 Sz-Hsing ..... D6/524
- D364,059 S \* 11/1995 Merriweather, Jr. .... D6/524
- 5,526,943 A \* 6/1996 Thompson ..... 211/87.01
- D385,136 S \* 10/1997 Gutke ..... D6/524

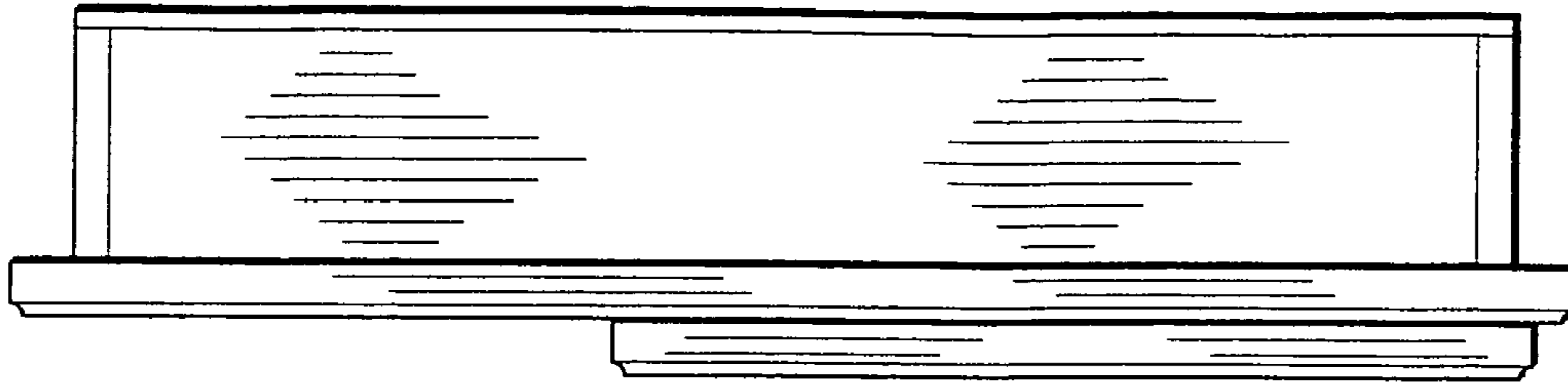




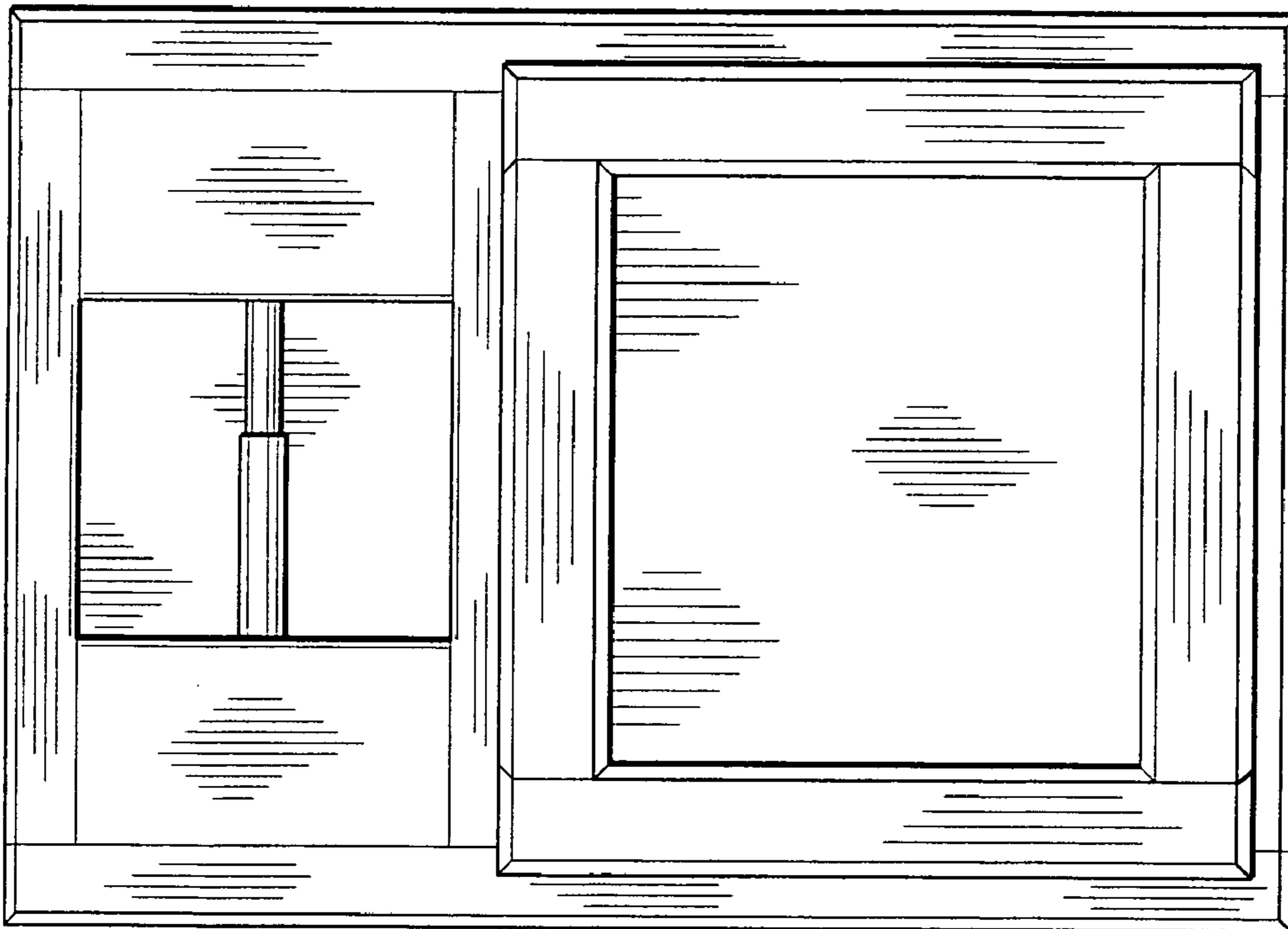
*Fig. 1*



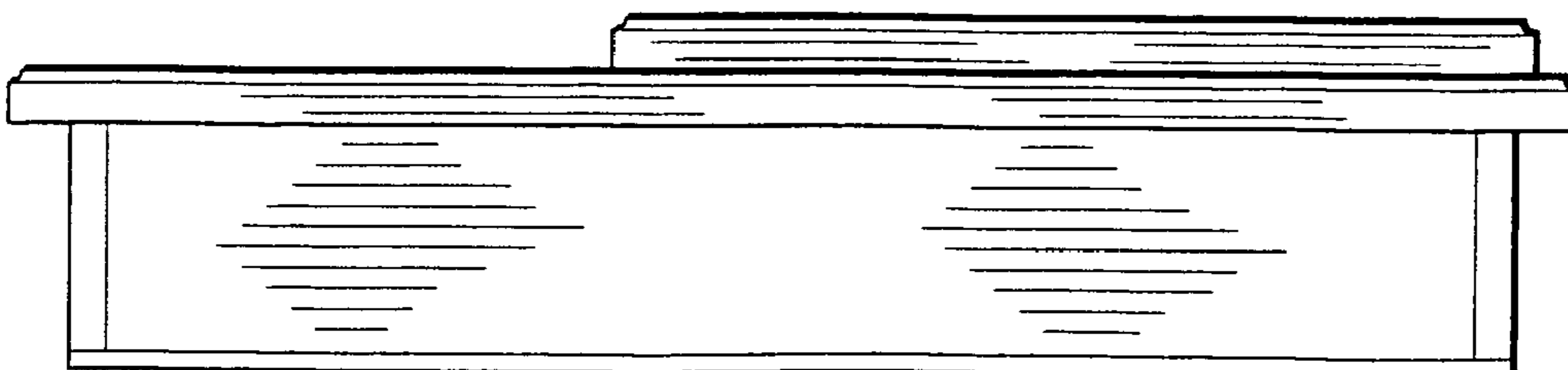
*Fig. 2*



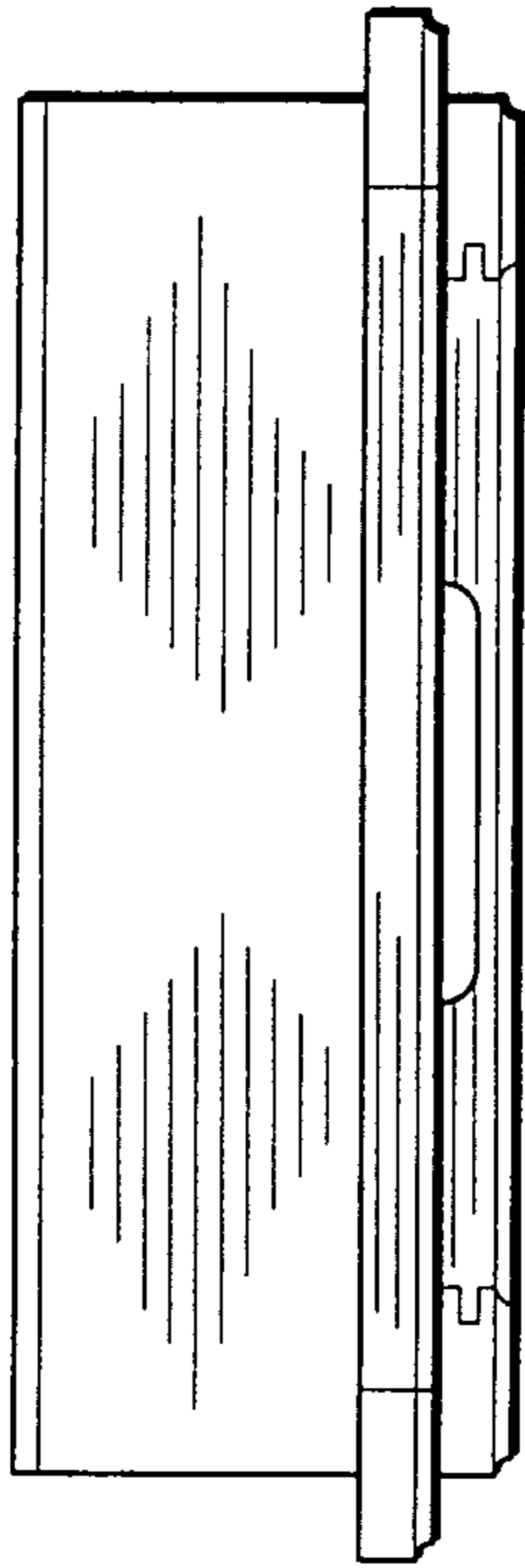
*Fig. 4*



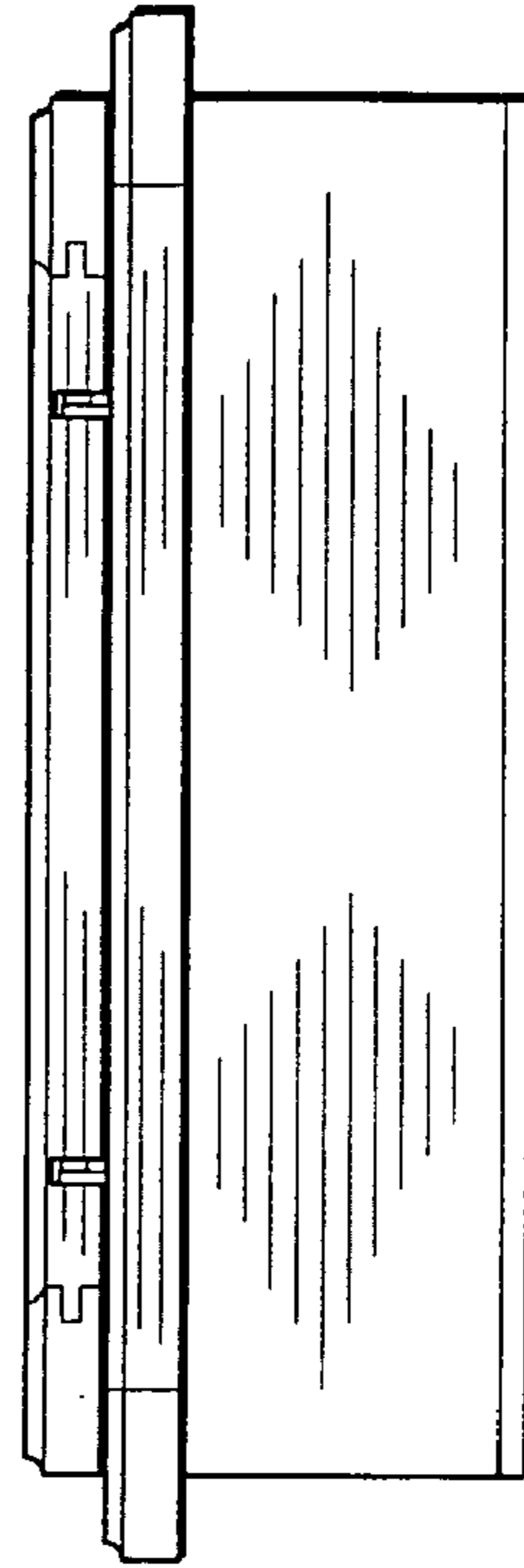
*Fig. 3*



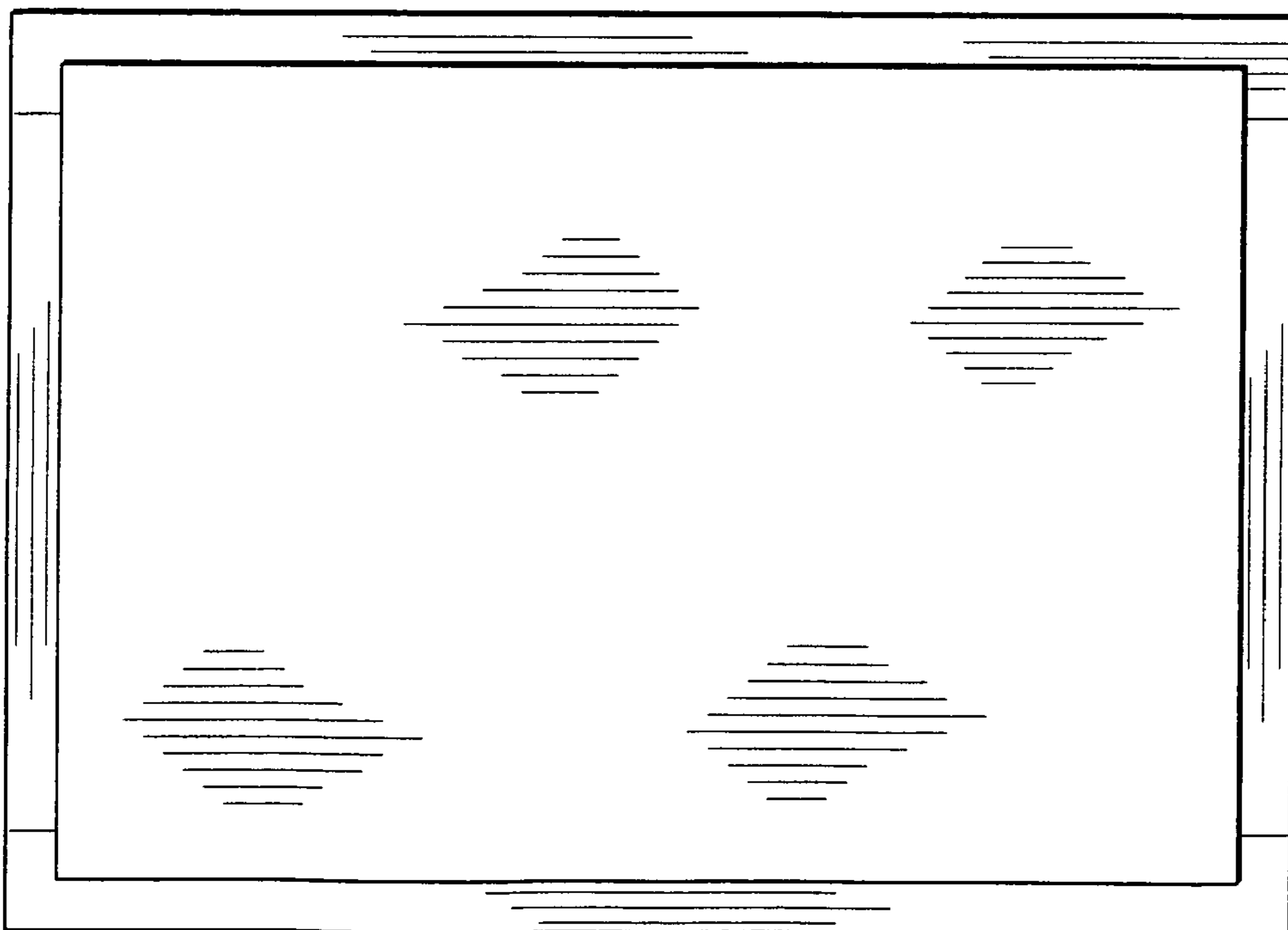
*Fig. 5*



*Fig. 6*



*Fig. 7*



*Fig. 8*