



US00D545097S

(12) **United States Design Patent**
Schlaupitz et al.

(10) **Patent No.: US D545,097 S**

(45) **Date of Patent: ** Jun. 26, 2007**

(54) **CONTAINER FOR WIPES**

(75) Inventors: **Robert Samuel Schlaupitz**, New London, WI (US); **Herb Flores Velazquez**, Neenah, WI (US); **Meara Catherine Kelley**, Woodstock, GA (US); **David James Wilks**, Appleton, WI (US); **David N. Woods**, Madison, WI (US); **Scott G. Manke**, Sun Prairie, WI (US)

(73) Assignee: **Kimberly-Clark Worldwide, Inc.**, Neenah, WI (US)

(**) Term: **14 Years**

(21) Appl. No.: **29/244,395**

(22) Filed: **Dec. 8, 2005**

(51) **LOC (8) Cl.** **20-02**

(52) **U.S. Cl.** **D6/518**

(58) **Field of Classification Search** D6/515-523;
D9/516, 549, 423; D3/294, 318; 206/389,
206/494; 221/33, 45, 63, 282-283
See application file for complete search history.

(56) **References Cited**

U.S. PATENT DOCUMENTS

D450,960 S * 11/2001 Boyea et al. D6/515

D467,454 S 12/2002 Le et al.
D468,567 S * 1/2003 Trevett et al. D6/515
D473,740 S * 4/2003 Ruhotas et al. D6/515
D479,420 S * 9/2003 White et al. D6/518
D485,461 S * 1/2004 Sams et al. D6/515
D495,545 S * 9/2004 Niehues D6/518
D495,910 S * 9/2004 Zaidman D6/518

* cited by examiner

Primary Examiner—Brian N Vinson

(74) *Attorney, Agent, or Firm*—Scott A. Baum

(57) **CLAIM**

We claim the ornamental design for a container for wipes, as shown and described.

DESCRIPTION

FIG. 1 is a perspective view of a container for wipes showing our new design.

FIG. 2 is a top view thereof.

FIG. 3 is a front view thereof.

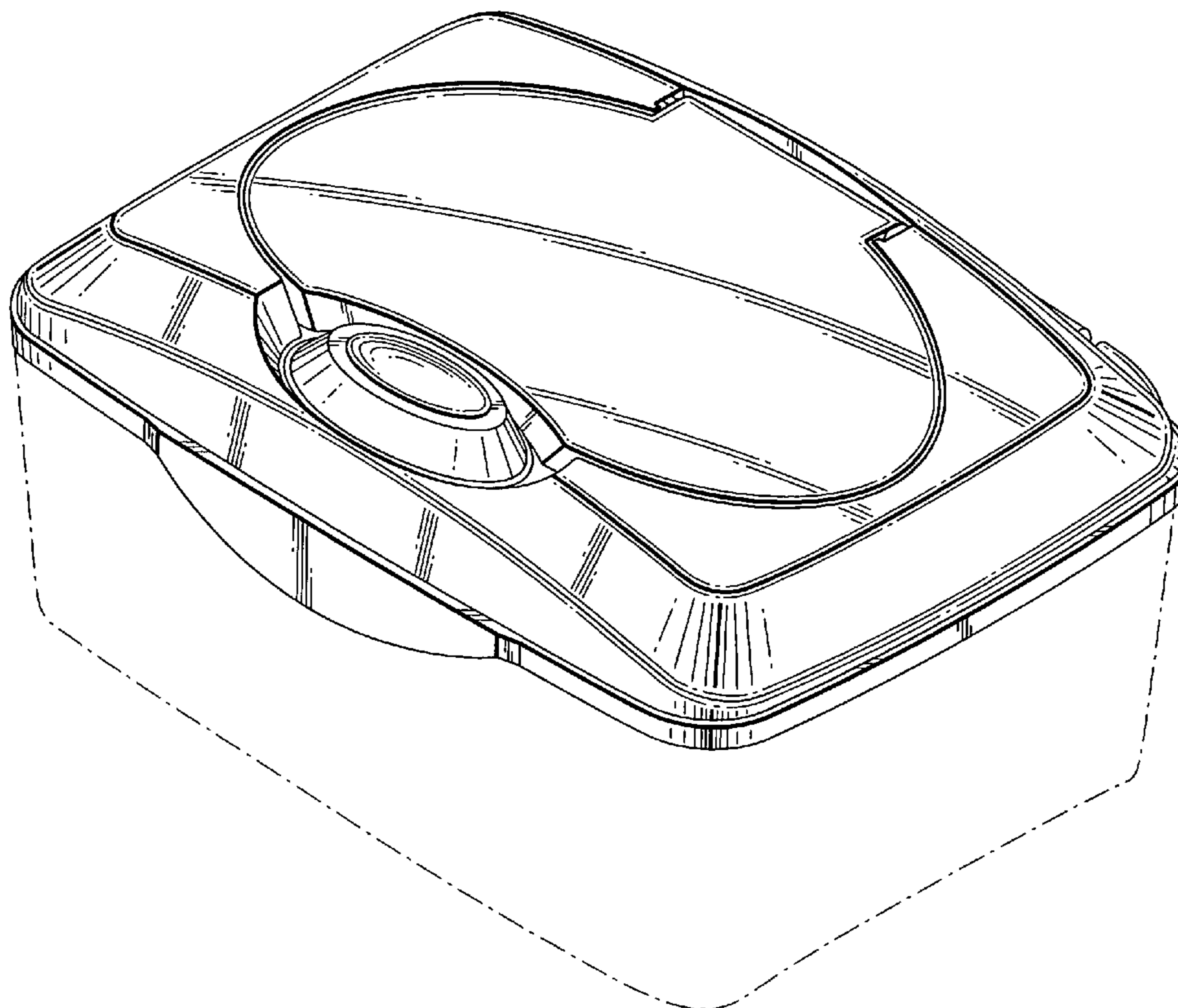
FIG. 4 is a back view thereof.

FIG. 5 is a left side view thereof; and,

FIG. 6 is a right side view thereof.

The broken lines shown on the container are for illustrative purposes only and form no part of the claimed design.

1 Claim, 6 Drawing Sheets



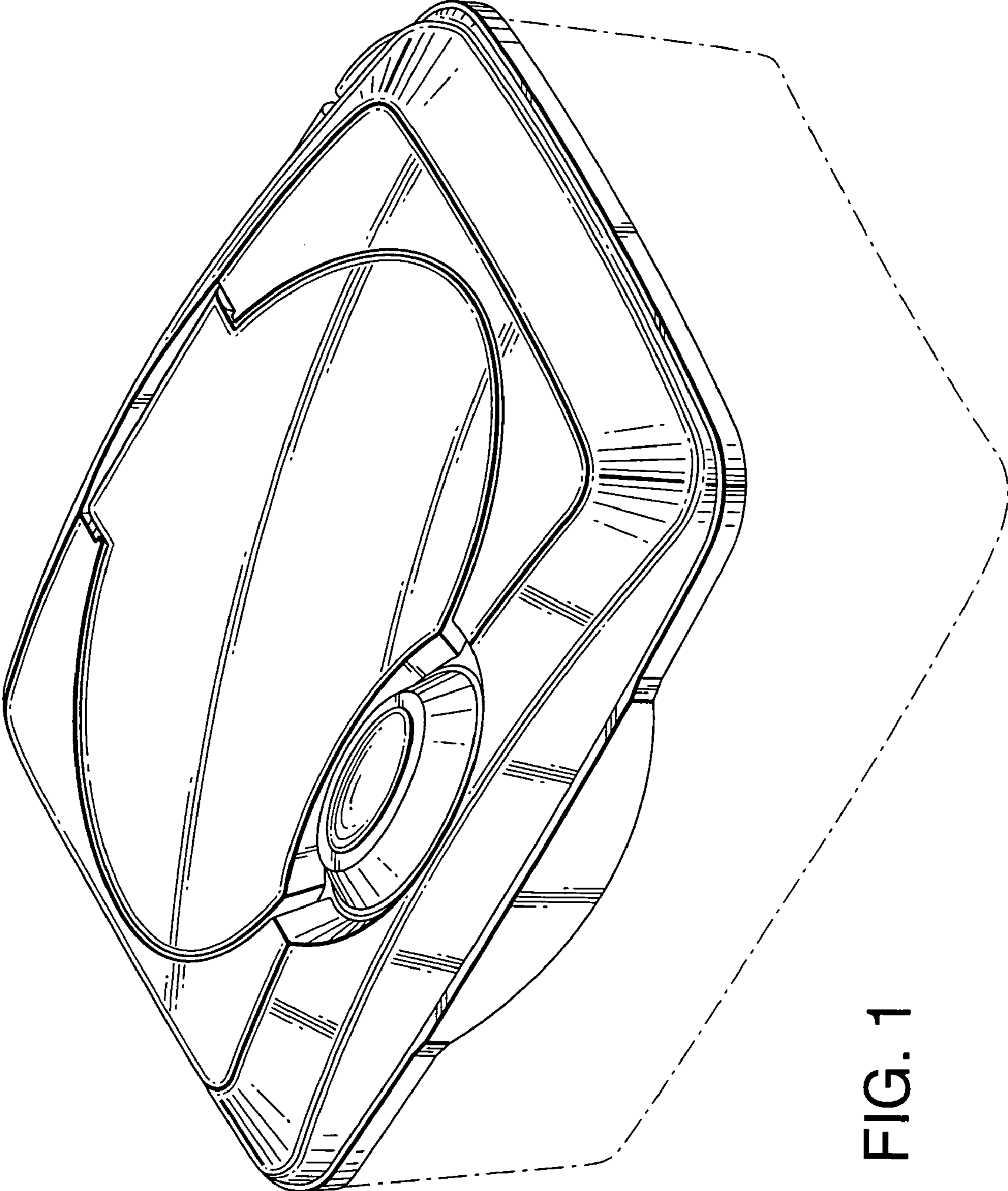


FIG. 1

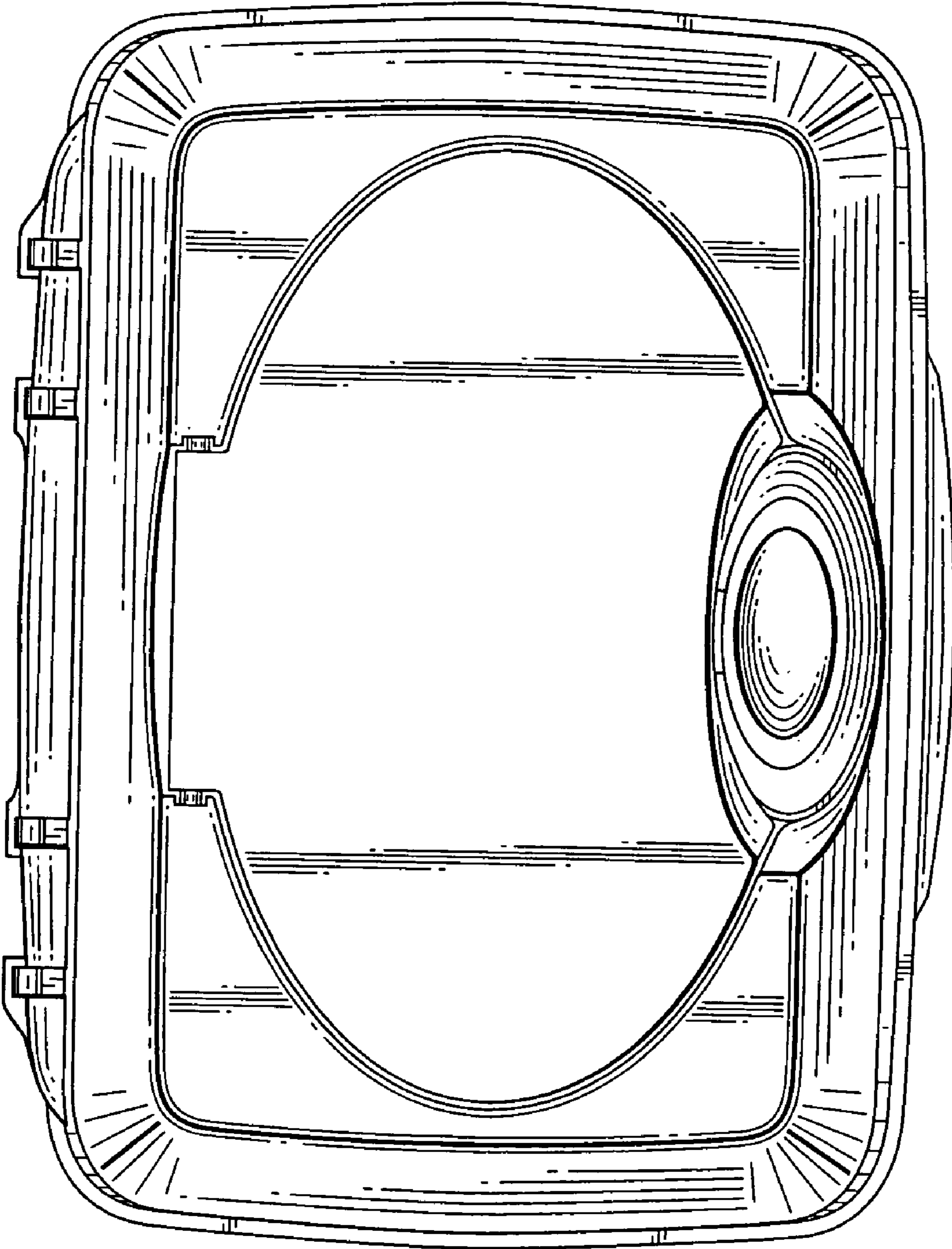


FIG. 2

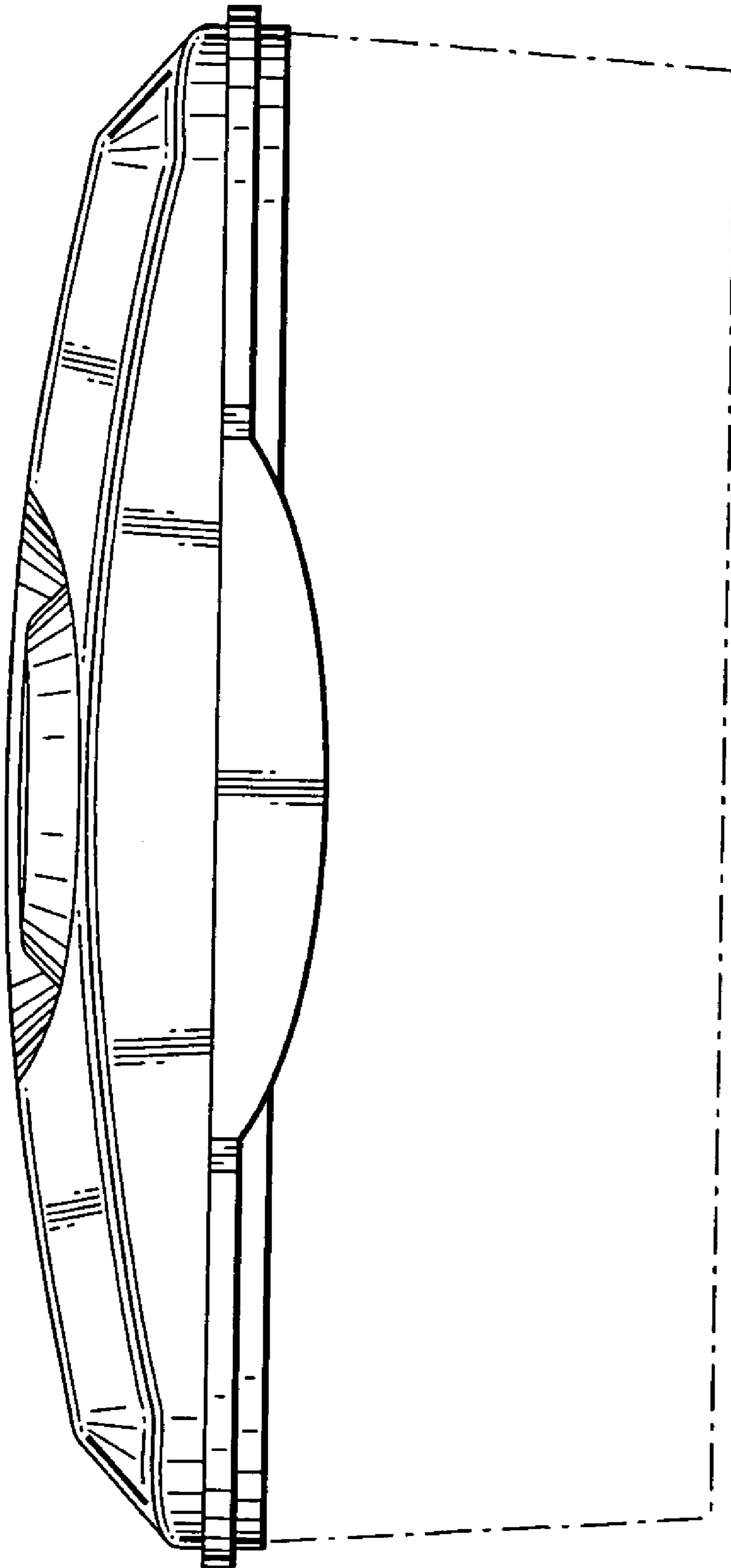


FIG. 3

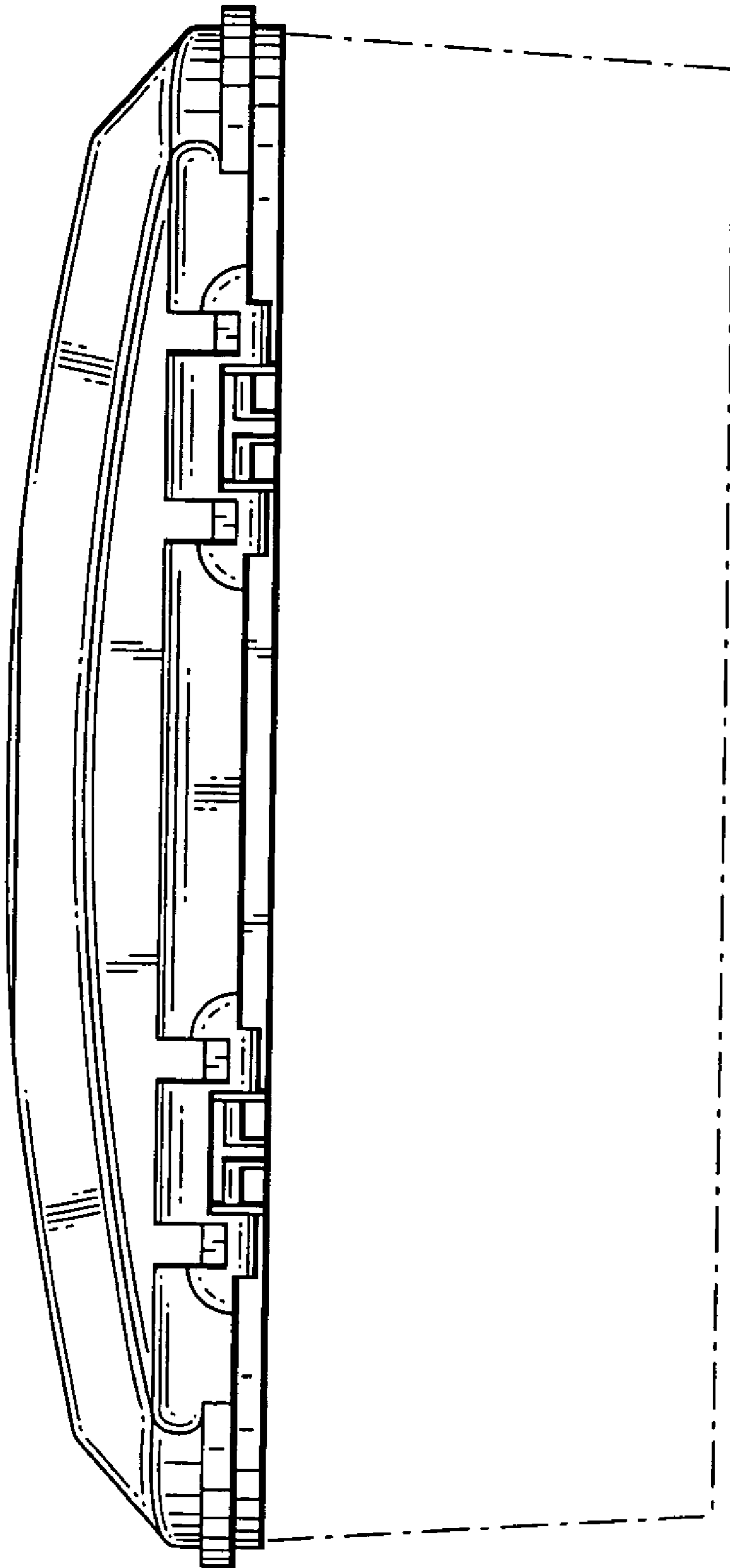


FIG. 4

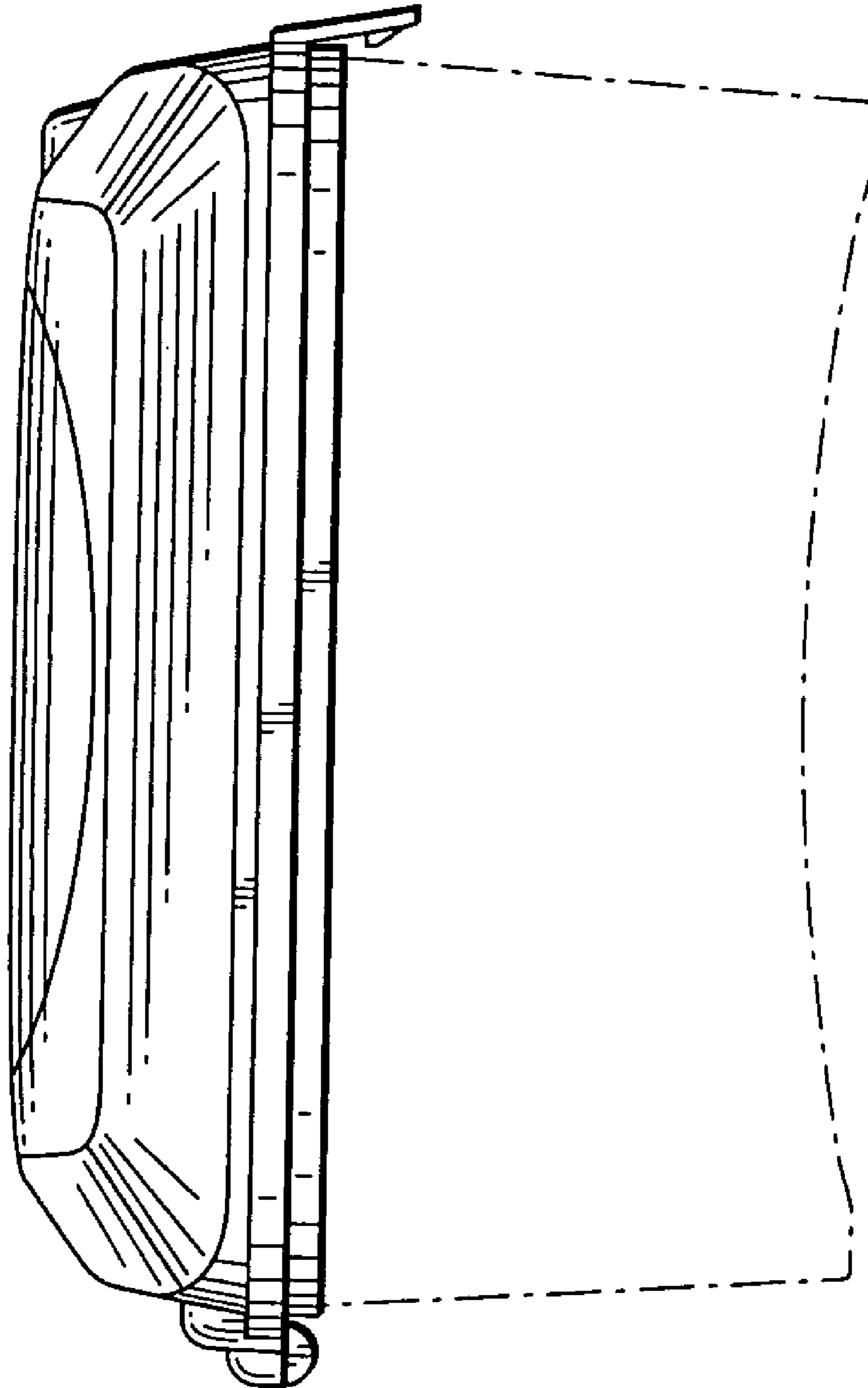


FIG. 5

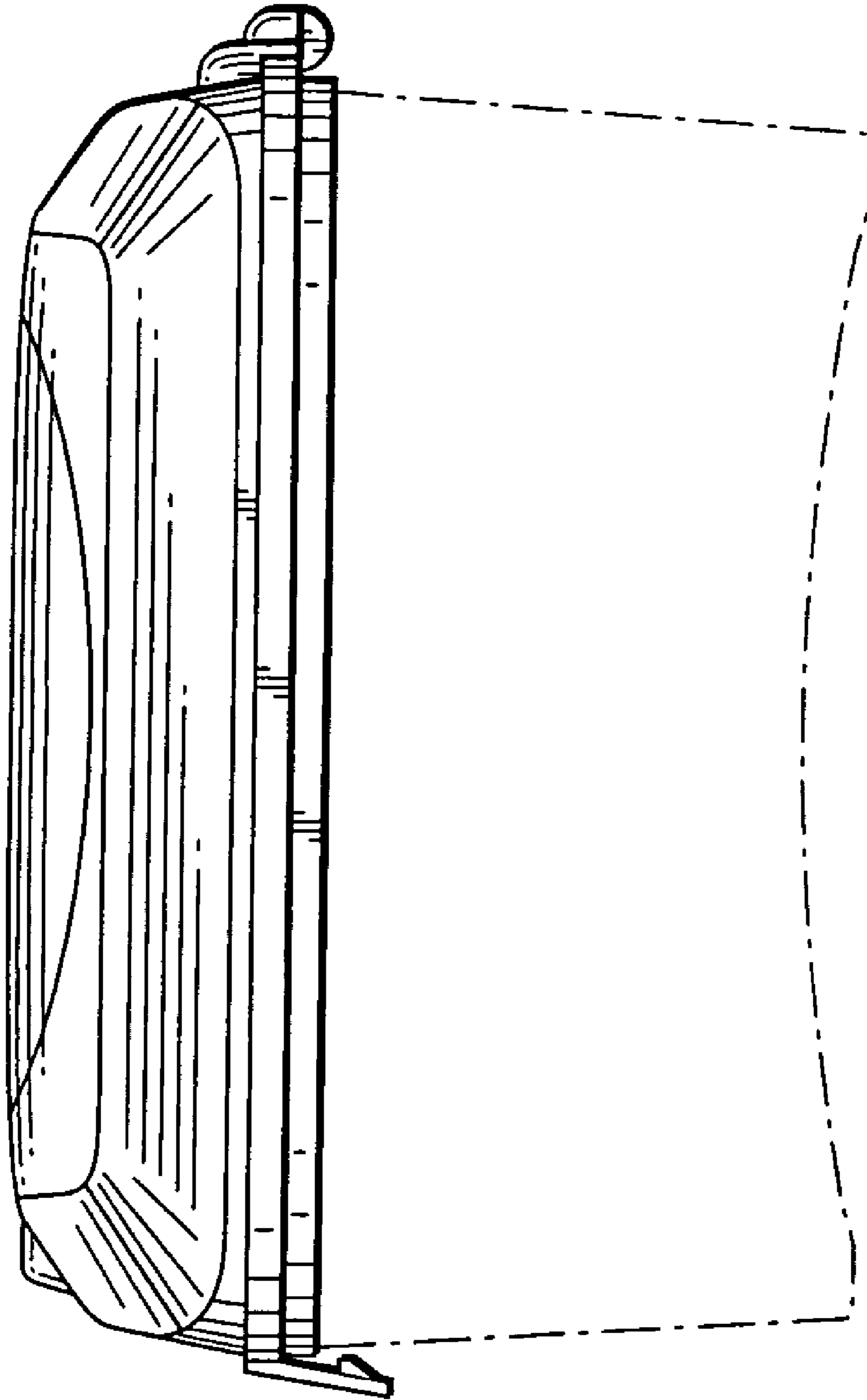


FIG. 6