



US00D545096S

(12) **United States Design Patent**
Simpson et al.

(10) **Patent No.:** **US D545,096 S**

(45) **Date of Patent:** **** Jun. 26, 2007**

(54) **BEVERAGE CARTON TRAY**

(76) Inventors: **Robert C. Simpson**, 911 Eighth Ave.,
N., Lewistown, MT (US) 59457; **Avis**
Y. Simpson, 911 Eighth Ave., N.,
Lewistown, MT (US) 59457

(**) **Term:** **14 Years**

(21) **Appl. No.:** **29/215,976**

(22) **Filed:** **Oct. 26, 2004**

(51) **LOC (8) Cl.** **20-20**

(52) **U.S. Cl.** **D6/515**

(58) **Field of Classification Search** D6/515,
D6/408, 574; D7/553.1, 554.3; 211/49.1,
211/59.2, 128

See application file for complete search history.

(56) **References Cited**

U.S. PATENT DOCUMENTS

2,572,090	A *	10/1951	Allen	211/49.1
4,690,287	A *	9/1987	Fershko et al.	211/49.1
D295,813	S *	5/1988	Rowse et al.	D6/408
5,788,117	A	8/1998	Zimmanck	221/285
D398,180	S *	9/1998	Winter et al.	D6/574
D440,118	S *	4/2001	Claffy et al.	D7/553.1
6,688,478	B2	2/2004	Miller, Jr. et al.	211/59.2
D493,670	S *	8/2004	De Neubourg	D7/554.3

* cited by examiner

Primary Examiner—Brian N Vinson

(74) *Attorney, Agent, or Firm*—Gregory IPL; Randy A. Gregory

(57) **CLAIM**

The ornamental design for a beverage carton tray, as shown and described.

DESCRIPTION

The present design is for a tray that is intended for use to support a case or carton of beverage containers at an inclined angle and may be used within a refrigerator to facilitate dispensing and access to beverage containers held within the case or carton.

FIG. 1 is perspective view of a beverage carton tray showing our new design;

FIG. 2 is a top view thereof;

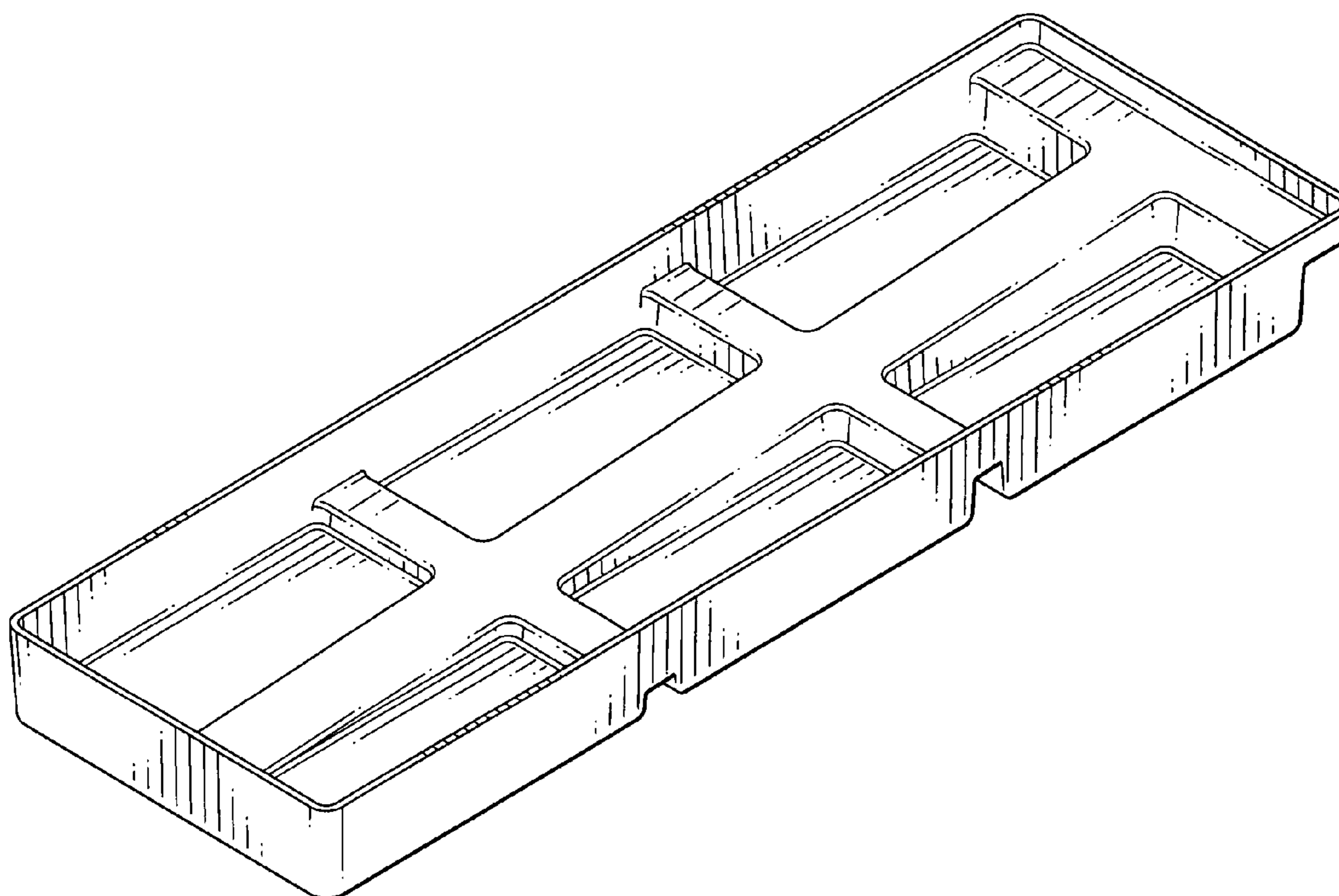
FIG. 3 is a bottom view thereof;

FIG. 4 is a right side view thereof, as viewed from the right in FIG. 1, the left side being a mirror image of FIG. 4;

FIG. 5 is a rear end view thereof; and,

FIG. 6 is front end view thereof.

1 Claim, 4 Drawing Sheets



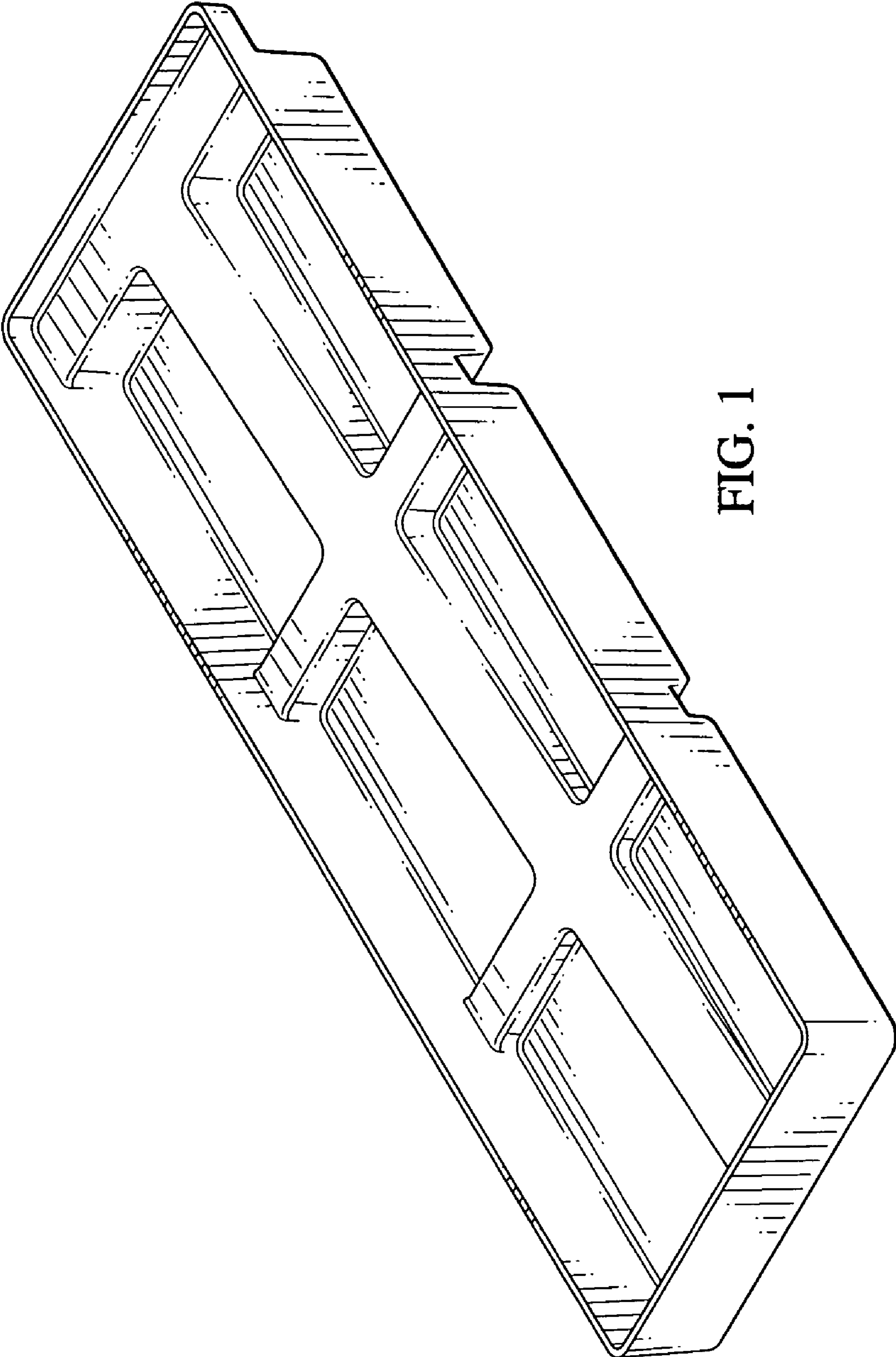


FIG. 1

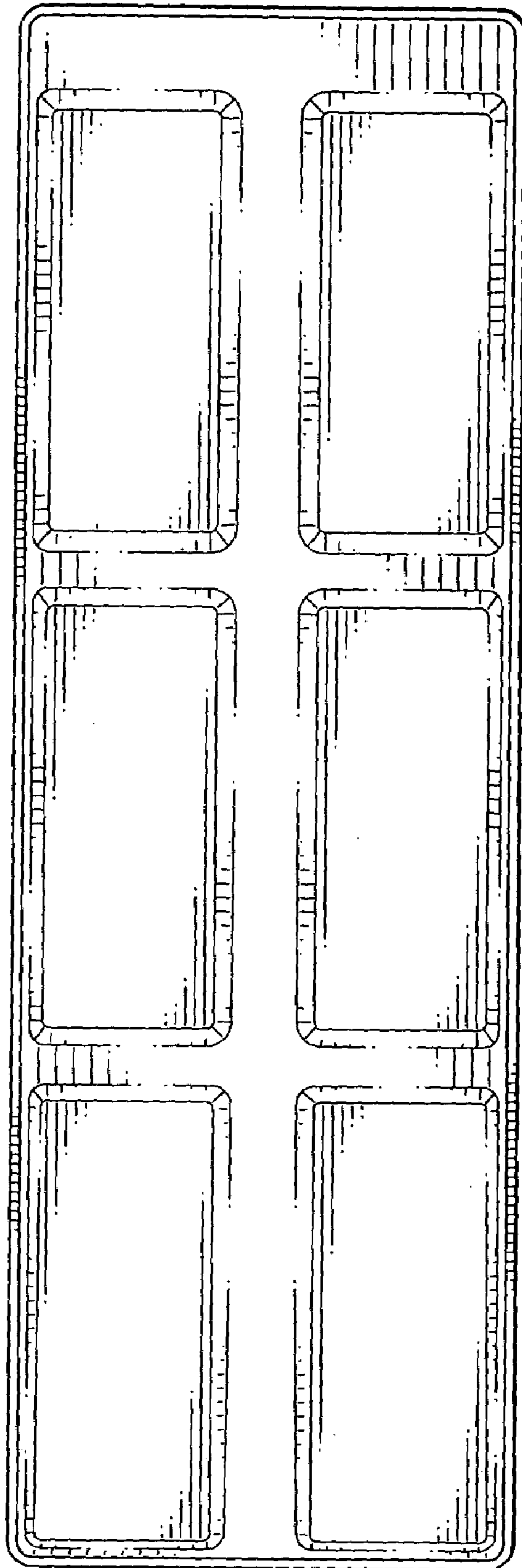


FIG. 2

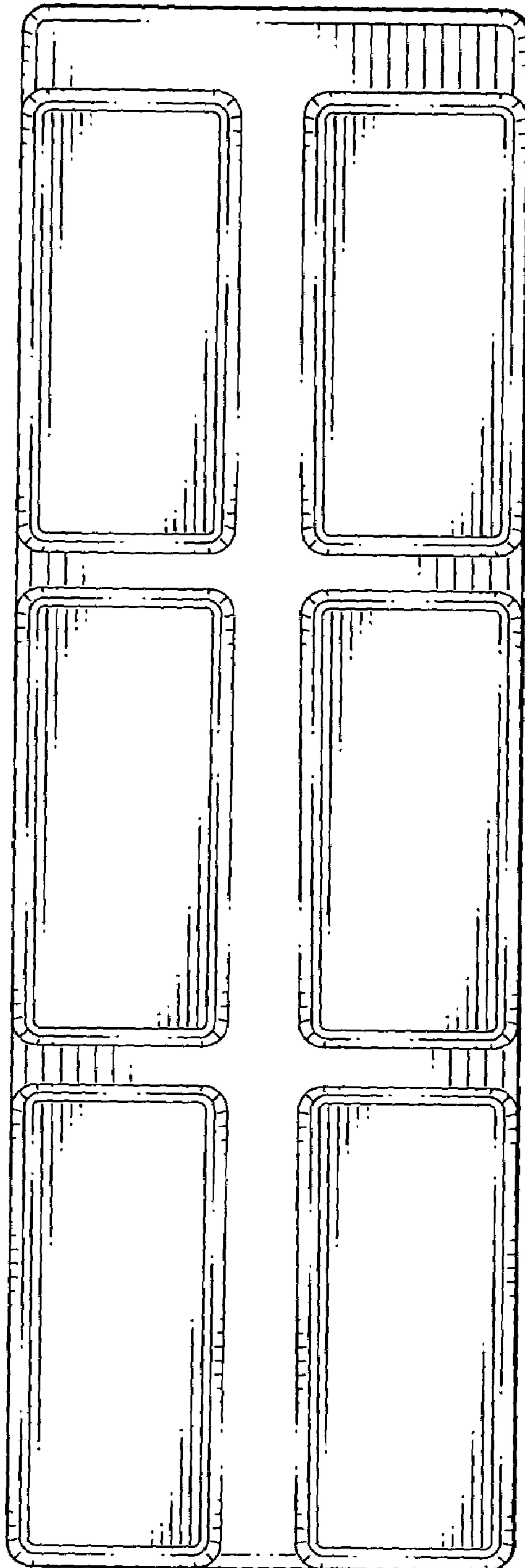


FIG. 3

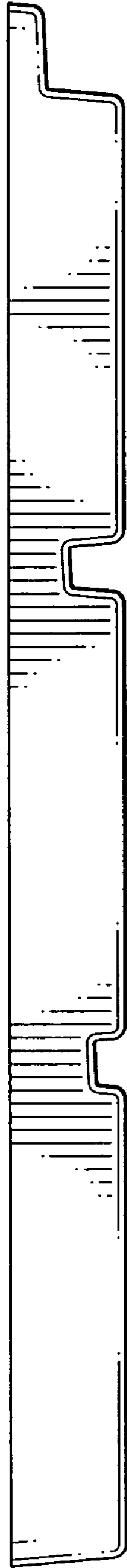


FIG. 4

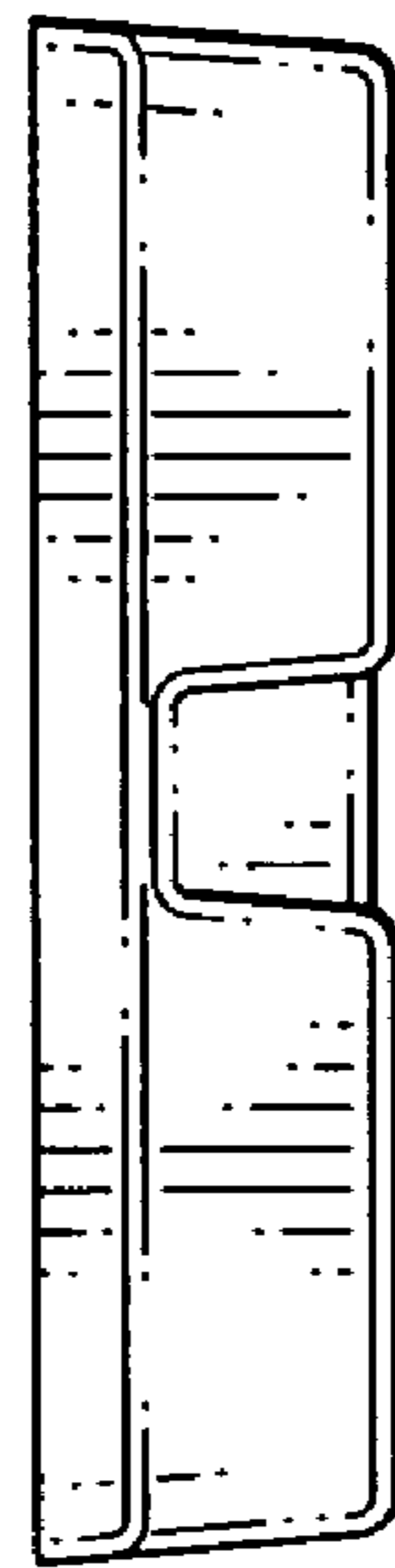


FIG. 5

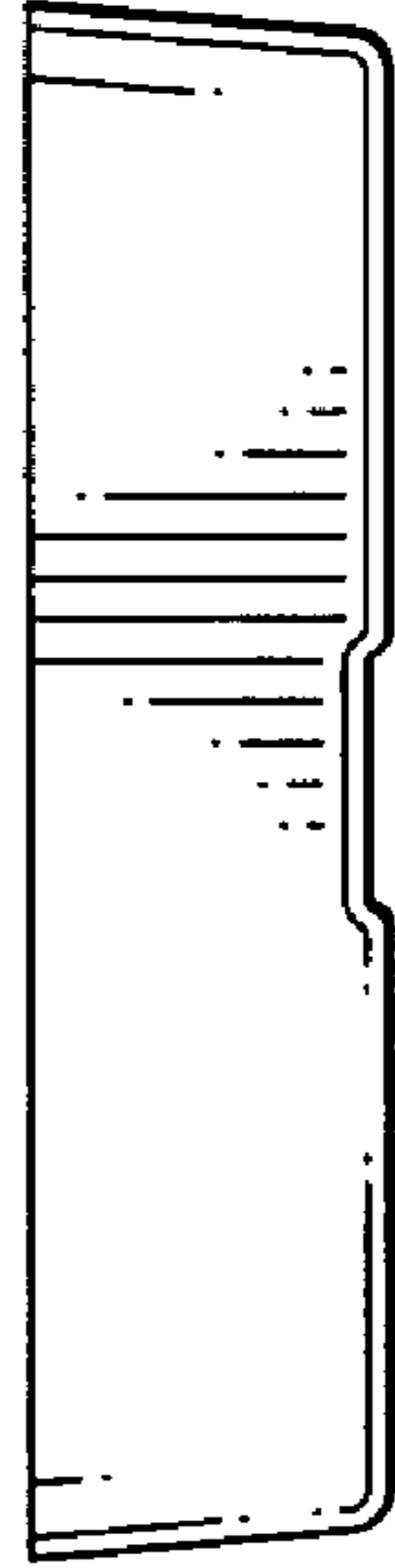


FIG. 6