



US00D545094S

(12) **United States Design Patent** (10) **Patent No.:** **US D545,094 S**  
**Atkins** (45) **Date of Patent:** **\*\* Jun. 26, 2007**

(54) **PORTION OF AN EQUIPMENT CONSOLE**

(75) Inventor: **William David Atkins**, Osage Beach, MO (US)

(73) Assignee: **Argosy Console, Inc.**, Osage Beach, MO (US)

(\*\*) Term: **14 Years**

(21) Appl. No.: **29/264,590**

(22) Filed: **Aug. 14, 2006**

D319,742 S *	9/1991	Rodenburg	.....	D6/426
D344,726 S	3/1994	Amiya		
D349,705 S	8/1994	Ito et al.		
5,402,501 A	3/1995	Silfvajt et al.		
5,477,337 A	12/1995	Schuler		
D371,255 S *	7/1996	Richard	.....	D6/426
D375,747 S	11/1996	East		
D381,835 S *	8/1997	Corpuz et al.	.....	D6/426
5,675,557 A	10/1997	Hubinger		
D391,415 S *	3/1998	O'Sullivan et al.	.....	D6/426
D396,467 S *	7/1998	Atkins	.....	D14/217
D425,344 S *	5/2000	Barlow-Lawson	.....	D6/511
D447,650 S *	9/2001	Atkins	.....	D6/495

**OTHER PUBLICATIONS**

Mix Magazine, Jul. 1996, pp. 3, 19, 29, 31, 63, 64, 67, 71, 77, 78, 80, 82, 124, 203 & 239.  
EQ Magazine, Date Unknown, pp. 24-25.  
"Made in the Jade", EQ Magazine, Oct. 1993, p. 49.  
Mix Magazine, Apr. 1994, p. 91.

(Continued)

*Primary Examiner*—Janice E. Seeger  
(74) *Attorney, Agent, or Firm*—Sonnenschein Nath & Rosenthal LLP

**Related U.S. Application Data**

(63) Continuation of application No. 29/221,773, filed on Jan. 19, 2005, now abandoned.

(51) **LOC (8) Cl.** ..... **06-06**

(52) **U.S. Cl.** ..... **D6/511; D6/480; D6/422**

(58) **Field of Classification Search** ..... D6/422-426, D6/429, 482, 480, 511; 108/50.01, 50.02, 108/147.19; 312/194-196, 203, 239; D14/217  
See application file for complete search history.

(56) **References Cited**

**U.S. PATENT DOCUMENTS**

119,316 A *	9/1871	Carter et al.	.....	312/196
818,910 A *	4/1906	Owens	.....	312/284
D186,894 S *	12/1959	Henrikson	.....	D6/427
D192,919 S	4/1962	Daley		
D193,616 S	8/1962	Heininger et al.		
D202,196 S	9/1965	Beckman		
D216,314 S	12/1969	Jacobs et al.		
D216,889 S	3/1970	Staley et al.		
D220,113 S	3/1971	Trombly		
D222,977 S	2/1972	Schubert et al.		
D239,350 S	3/1976	Vogt		
4,113,331 A	9/1978	Derdzinski et al.		
4,409,906 A	10/1983	Alneng		
D291,196 S	8/1987	Ito et al.		
4,781,126 A *	11/1988	Lochridge	.....	108/6
D300,490 S	4/1989	Helstab		
4,838,177 A	6/1989	Vander Park		

(57) **CLAIM**

The ornamental design for a portion of an equipment console, as shown and described.

**DESCRIPTION**

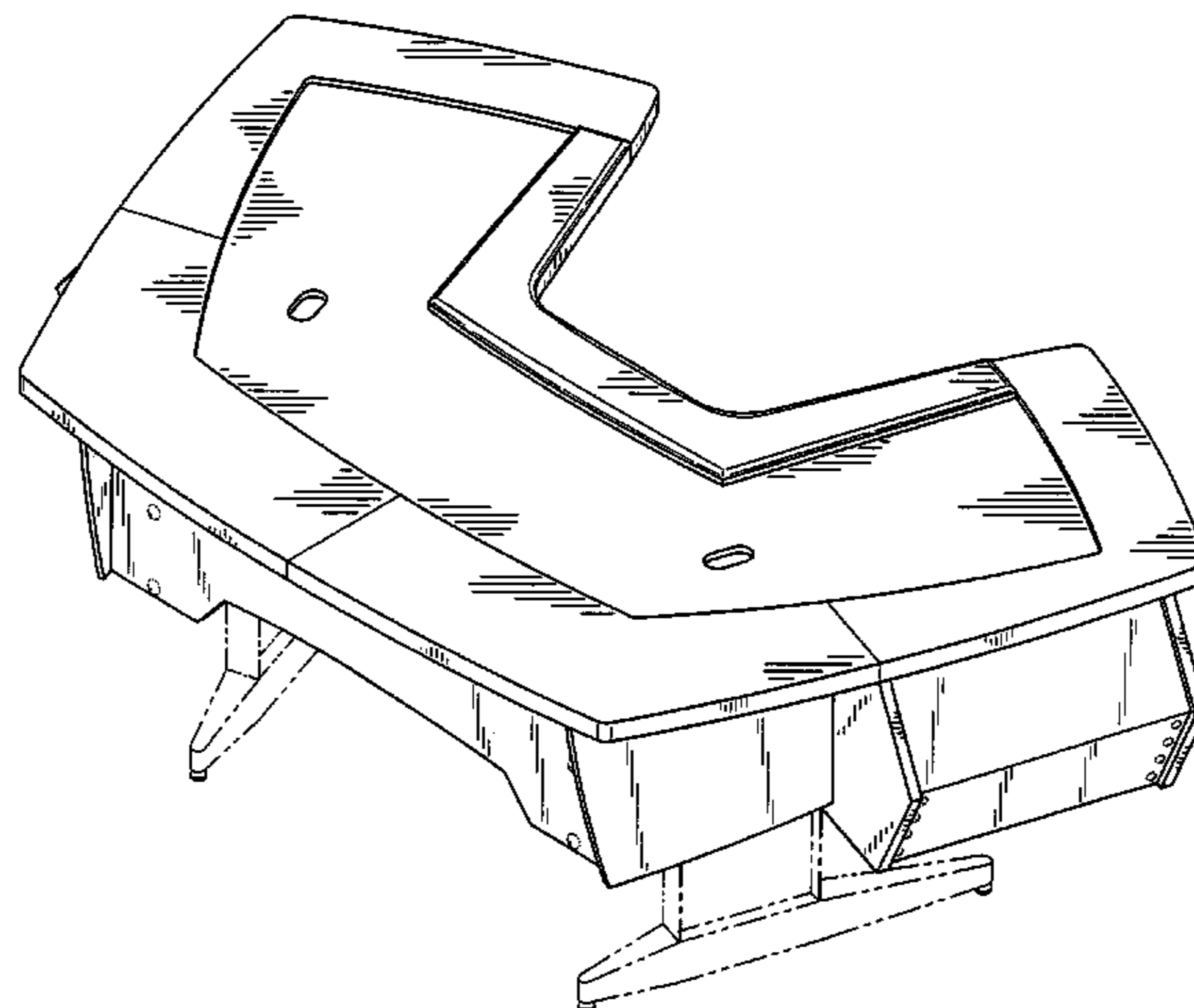
FIG. 1 is a perspective of a portion of an equipment console of a first embodiment of the present invention;

FIG. 2 is a perspective of a portion of an equipment console of a second embodiment of the present invention; and,

FIG. 3 is a perspective of a portion of an equipment console of a third embodiment of the present invention.

The broken lines in the drawings indicate environmental structure and portions of the equipment console forming no part of the design. The bottom of the equipment console forms no part of the design.

**1 Claim, 3 Drawing Sheets**



OTHER PUBLICATIONS

Mix Magazine, Nov. 1994, pp. 98 & 99.

Mix Magazine, Dec. 1994, p. 199.

Brochure entitled "Argosy Console, Inc.—Power Housing—Your Mackie 8—Bus System" dated 1996.

Mix Magazine, Jul. 1996, pp. 3, 19, 29, 31, 63, 64, 67, 71, 77, 78, 80, 82, 142, 203 & 239. 1 page missing—only 14 pages.

Omnirax, 1999, Synergy 600 and 800, pp. 14-15.

Mix Magazine, Jan. 2003, p. 199.

\* cited by examiner

FIG. 1

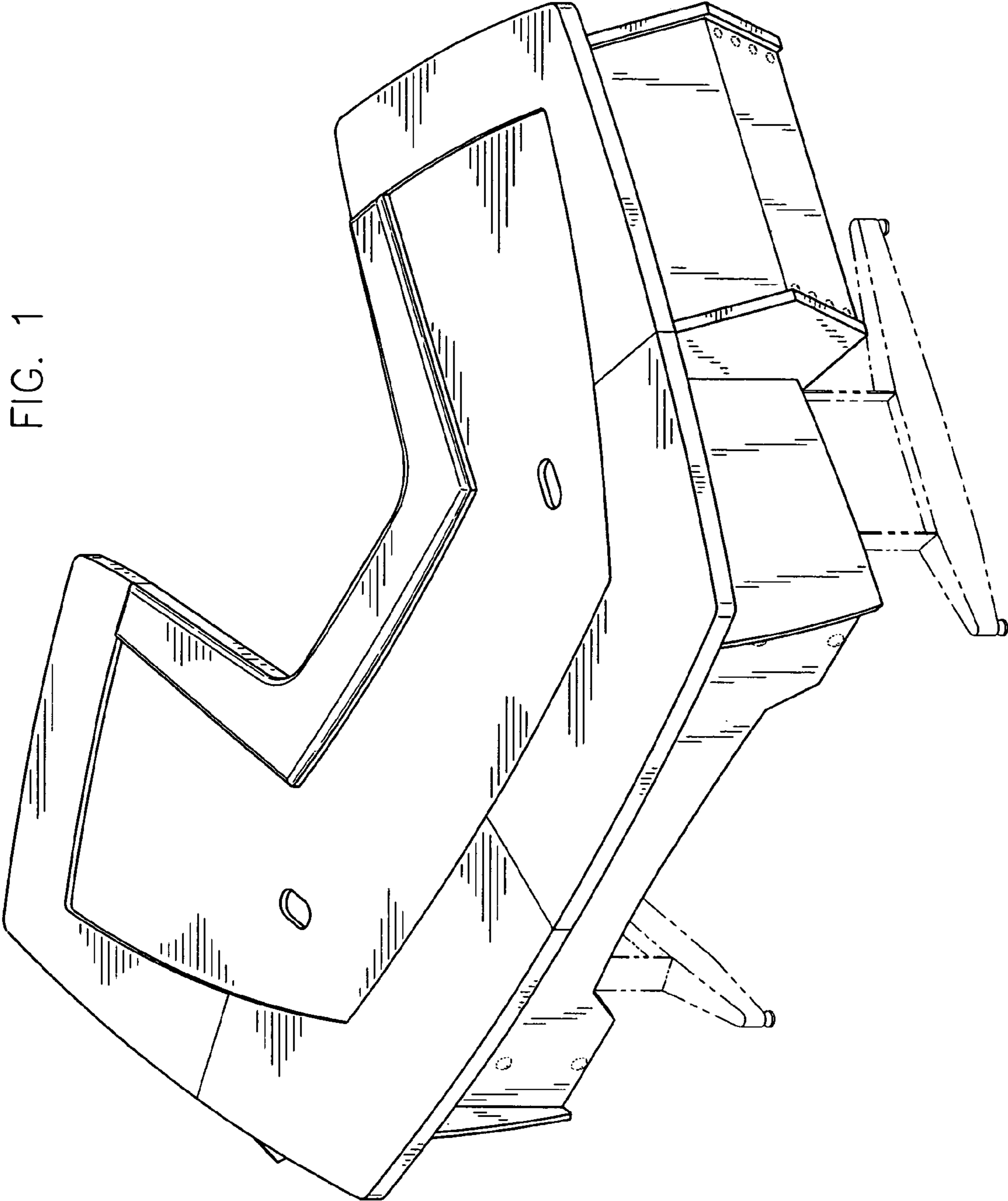


FIG. 2

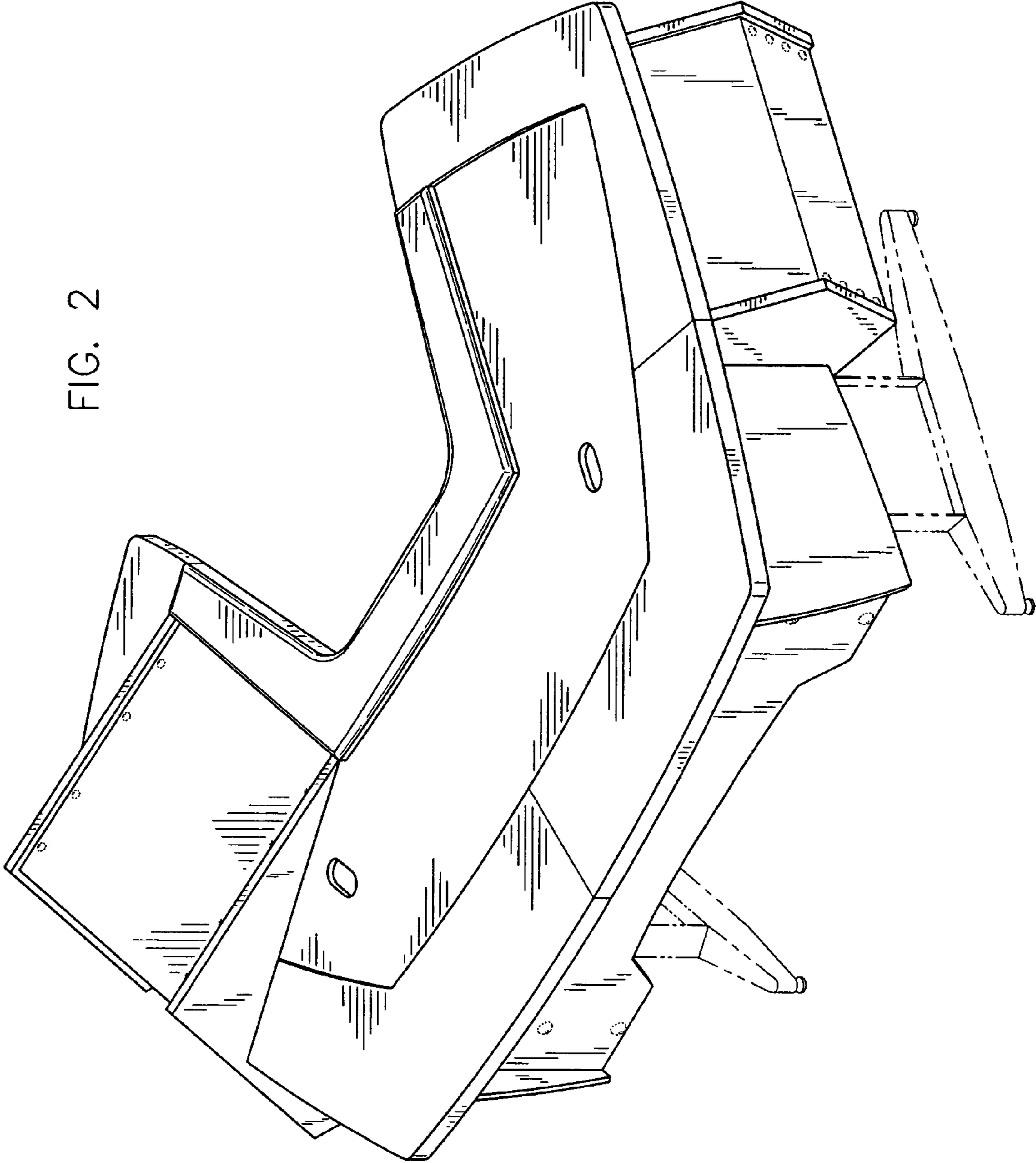


FIG. 3

