



US00D545092S

(12) **United States Design Patent**
Knorring, Jr. et al.

(10) **Patent No.: US D545,092 S**
(45) **Date of Patent: ** Jun. 26, 2007**

(54) **TRACK FOR DISPLAY SHELVING**

(75) Inventors: **Edward I. Knorring, Jr.**, Wheaton, IL (US); **Eric G. Larsen**, Bensenville, IL (US)

(73) Assignee: **B-0-F Corporation**, Aurora, IL (US)

(**) Term: **14 Years**

(21) Appl. No.: **29/232,370**

(22) Filed: **Jun. 17, 2005**

(51) **LOC (8) Cl.** **06-06**

(52) **U.S. Cl.** **D6/510**

(58) **Field of Classification Search** D6/510,
D6/511; D3/304; 211/59.2, 59.3, 71.01,
211/72, 86.01, 89.01, 90.01

See application file for complete search history.

(56) **References Cited**

U.S. PATENT DOCUMENTS

1,627,084 A	5/1927	Fritz	
2,138,418 A	11/1938	Fahrne	211/114
2,174,715 A	10/1939	Baker	211/49
2,317,645 A	4/1943	Ryan	211/126
2,623,641 A	12/1952	Shield	211/49
2,652,154 A	9/1953	Stevens	211/49
2,723,484 A	11/1955	Nelson, Jr.	43/54.5
3,198,340 A	8/1965	Tokash	211/49
3,635,350 A	1/1972	Wolf	211/40
4,006,824 A	2/1977	Snediker et al.	211/49
4,314,648 A	2/1982	Spamer	211/49
4,565,725 A	1/1986	Spamer et al.	428/167
4,613,047 A	9/1986	Bushyhead et al.	211/55
4,684,030 A	8/1987	Gurzynski	211/88
4,685,574 A	8/1987	Young et al.	211/59.2
4,785,945 A	11/1988	Rowse et al.	211/59.2
4,815,611 A	3/1989	Gurzynski et al.	211/88
4,938,366 A	7/1990	Carroll	211/55
5,009,335 A	4/1991	Jonker	211/55
5,050,748 A	9/1991	Taub	211/59.2

5,054,623 A	10/1991	Evenson	211/11
5,160,051 A	11/1992	Bustos	211/59.2
5,417,333 A	5/1995	Flum	211/59.2
5,614,288 A	3/1997	Bustos	428/167
5,624,042 A	4/1997	Flum et al.	211/59.2

(Continued)

Primary Examiner—Brian N Vinson

(74) *Attorney, Agent, or Firm*—Marshall, Gerstein & Borun LLP

(57) **CLAIM**

The ornamental design for a track for display shelving, as shown and described.

DESCRIPTION

FIG. 1 is a perspective view showing our new design of a track;

FIG. 2 is a front view of the track of FIG. 1, the rear view being a mirror image thereof;

FIG. 3 is a left side view of the track of FIG. 1;

FIG. 4 is a top view of the track of FIG. 1;

FIG. 5 is a right side view of the track of FIG. 1;

FIG. 6 is a bottom view of the track of FIG. 1;

FIG. 7 is an enlarged front view of a section of the base of the track shown in FIG. 2, taken along line "FIG. 7" of FIG. 2;

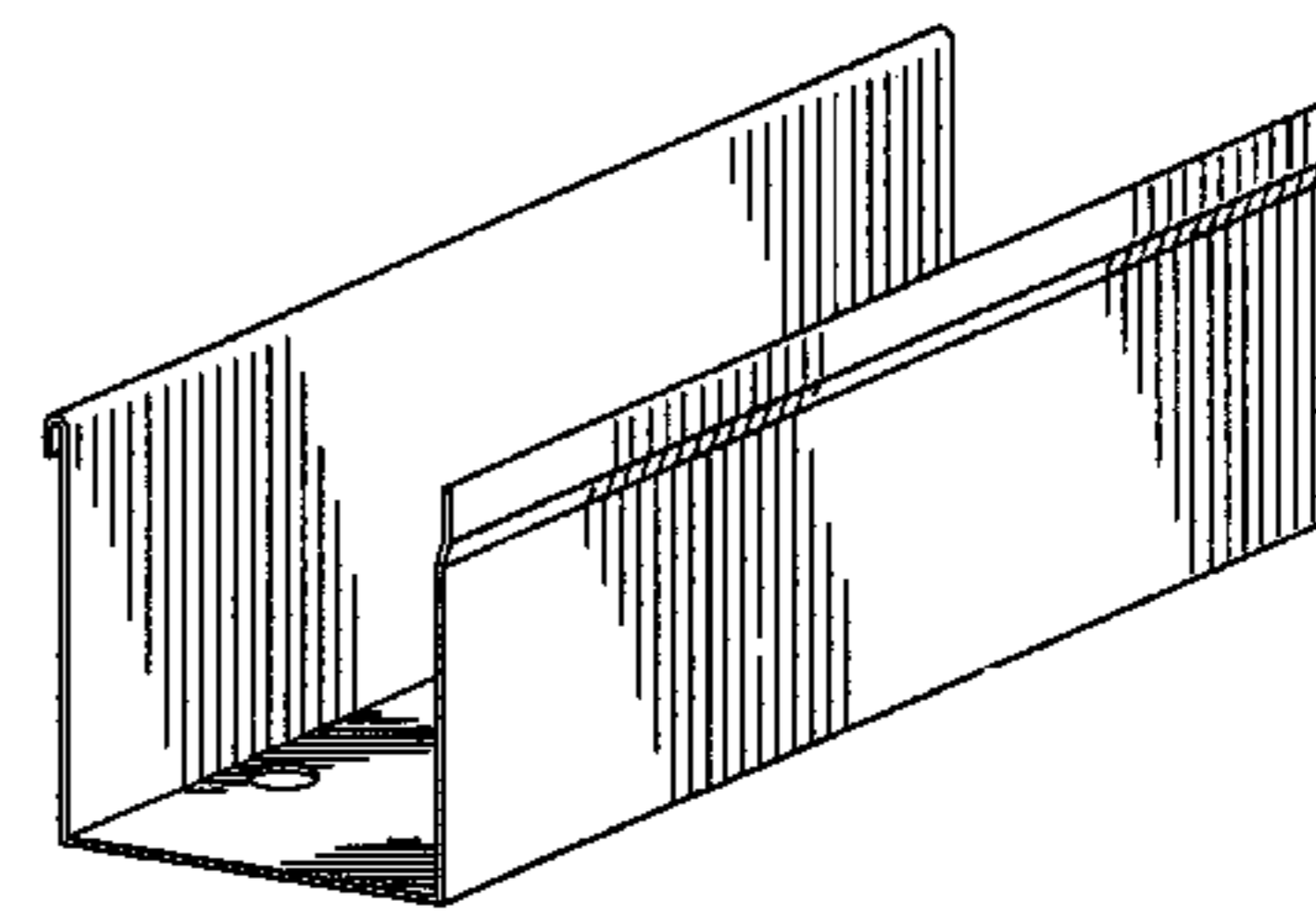
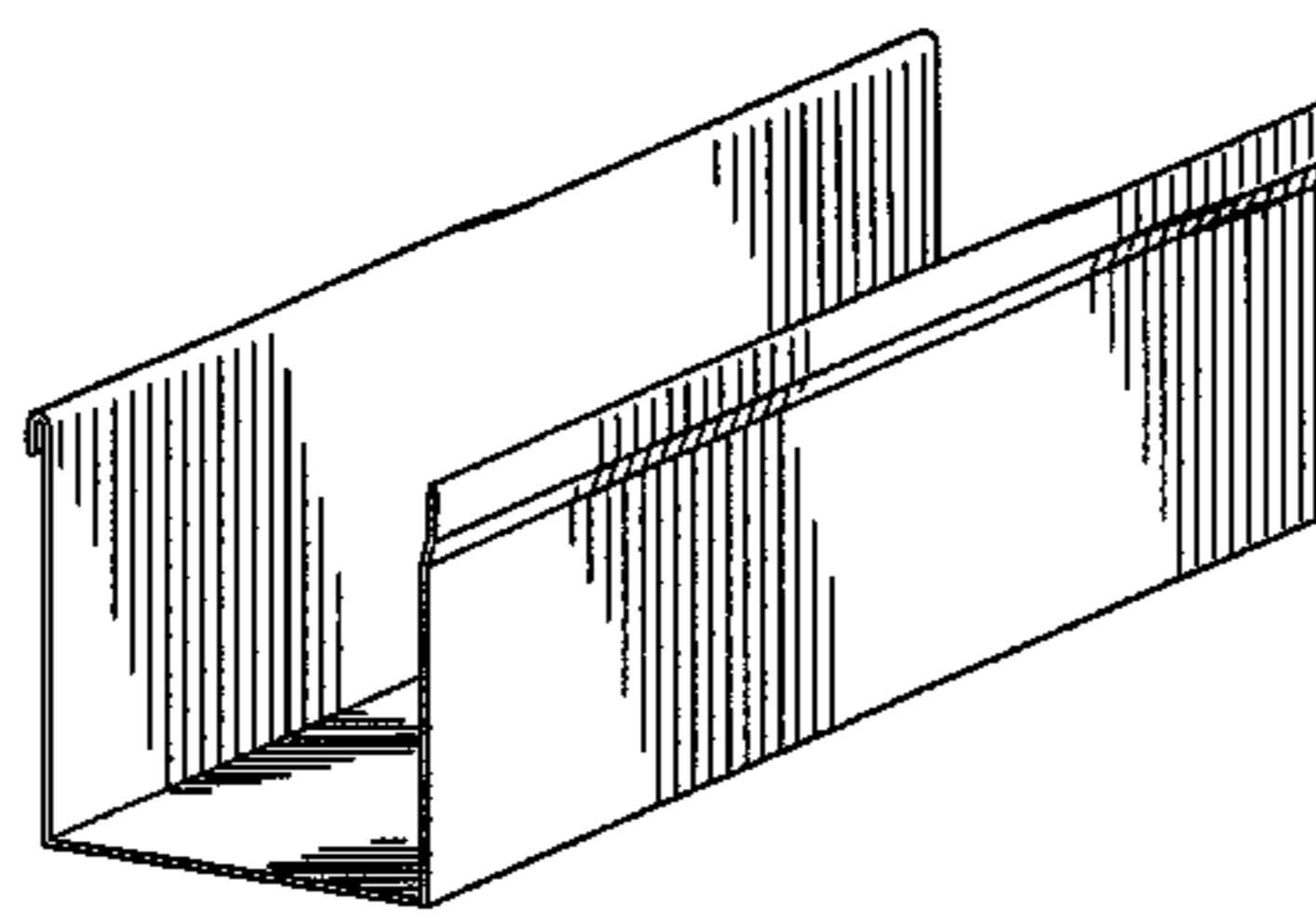
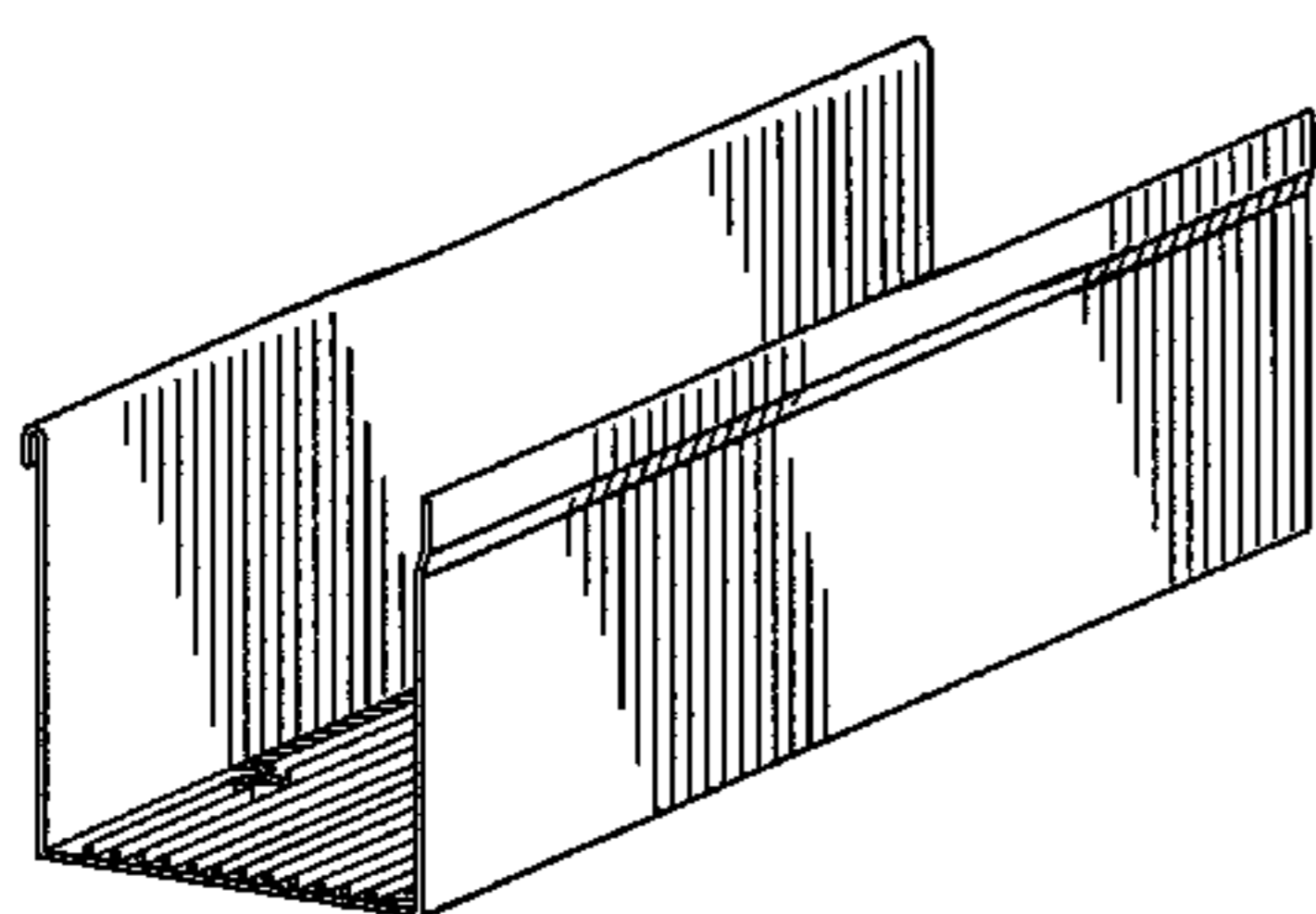
FIG. 8 is a perspective view of a second embodiment of our new design;

FIG. 9 is a perspective view of a third embodiment of our new design;

FIG. 10 is a perspective view of a fourth embodiment of our new design; and,

FIG. 11 is an enlarged front view of a section of the base of the design shown in FIG. 10.

1 Claim, 2 Drawing Sheets



US D545,092 S

Page 2

U.S. PATENT DOCUMENTS

5,634,564	A	6/1997	Spamer et al.	211/59.3	6,530,485	B1	3/2003	Weber	211/55
5,645,176	A	7/1997	Jay	211/59.2	6,659,293	B1 *	12/2003	Smith	211/59.2
5,720,396	A	2/1998	Wegscheid et al.	211/55	6,688,478	B2	2/2004	Miller, Jr. et al.	211/59.2
5,839,588	A	11/1998	Hawkinson	211/59.3	6,691,891	B2 *	2/2004	Maldonado	211/59.3
5,904,256	A	5/1999	Jay	211/59.2	6,705,472	B2	3/2004	Cross et al.	211/40
5,938,048	A	8/1999	Carroll et al.	211/55	D519,279	S *	4/2006	Krebs et al.	D3/304
5,984,117	A	11/1999	Smith	211/55	2002/0033373	A1	3/2002	Robertson	211/59.2
6,092,684	A	7/2000	Sato	220/23.4	2002/0060196	A1	5/2002	Cross et al.	211/40
6,412,648	B1	7/2002	Woolnough et al.	211/128.1	2003/0061973	A1	4/2003	Bustos	108/55.5
6,497,185	B1	12/2002	Barrett et al.	108/108	2003/0146177	A1	8/2003	Miller, Jr. et al.	211/59.2

* cited by examiner

Fig. 1

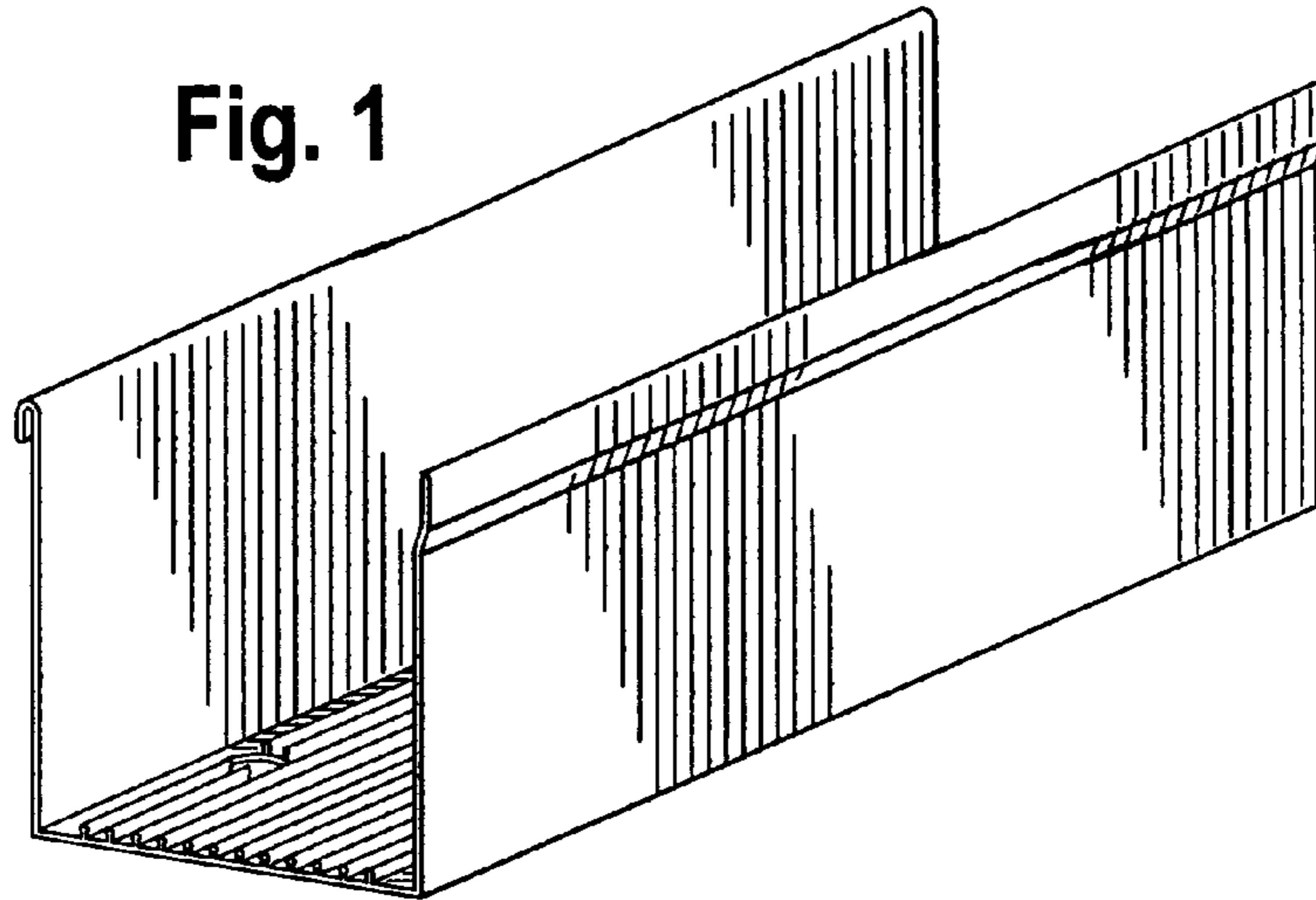


Fig. 2

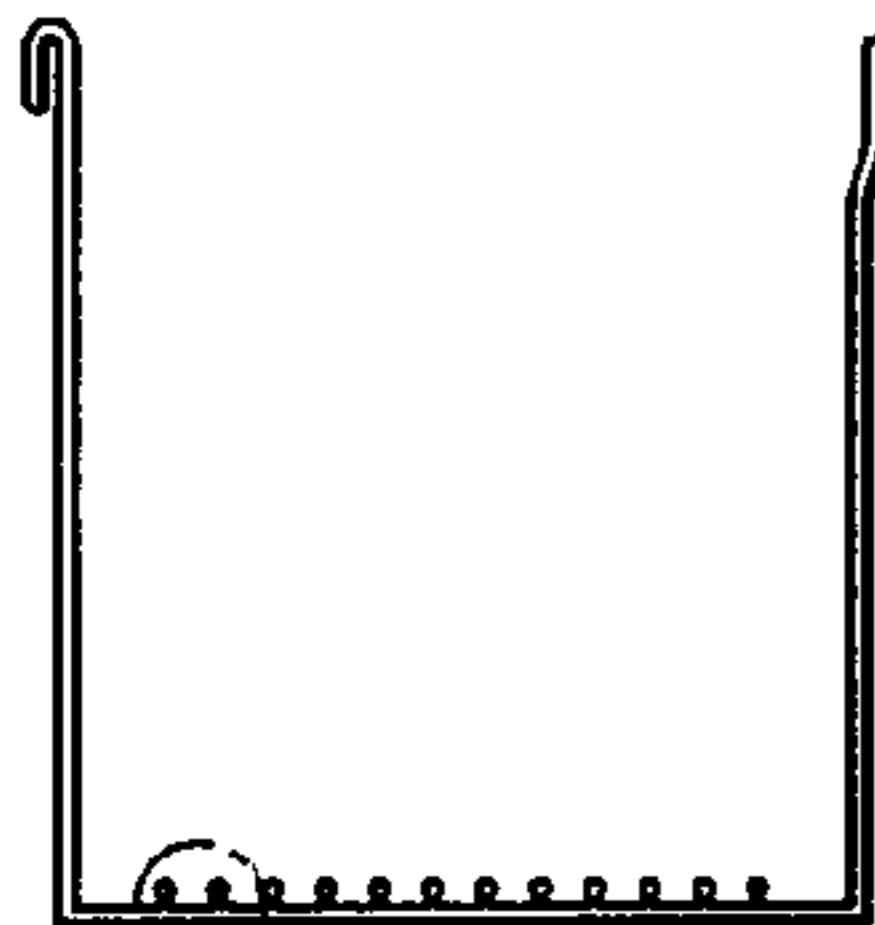


Fig. 7

Fig. 3

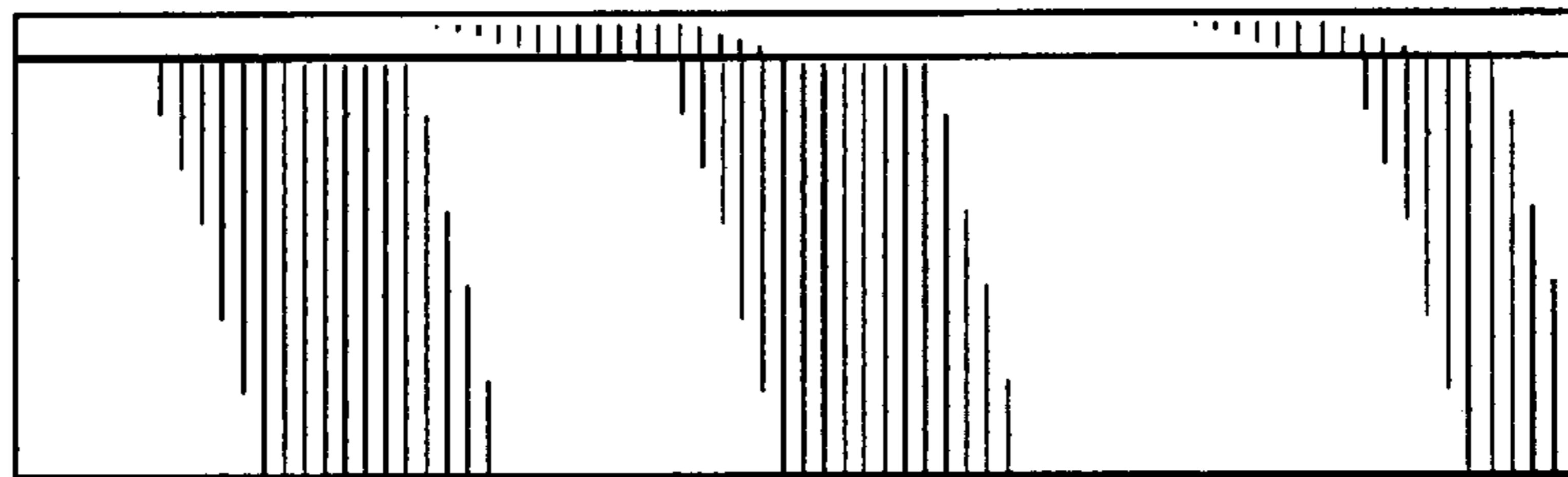


Fig. 4

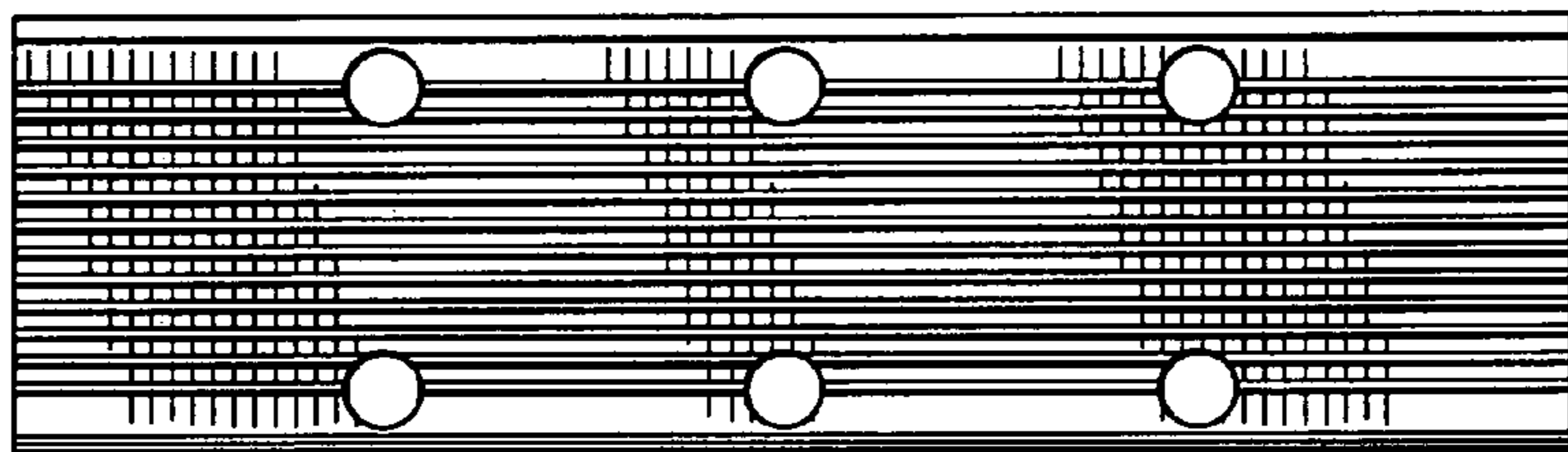


Fig. 5

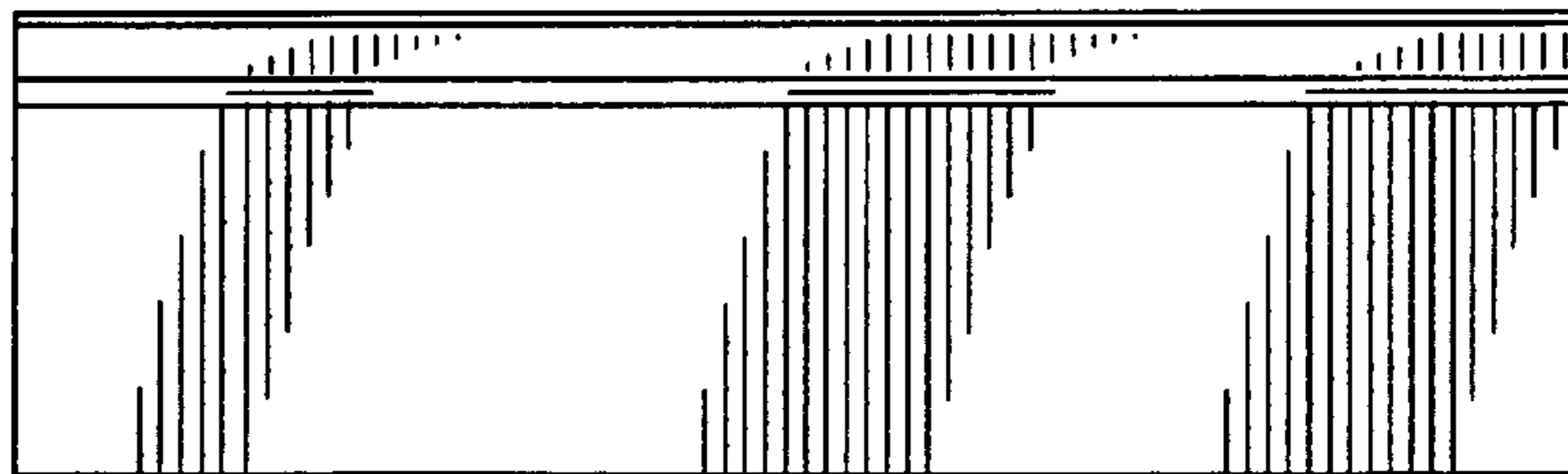


Fig. 6

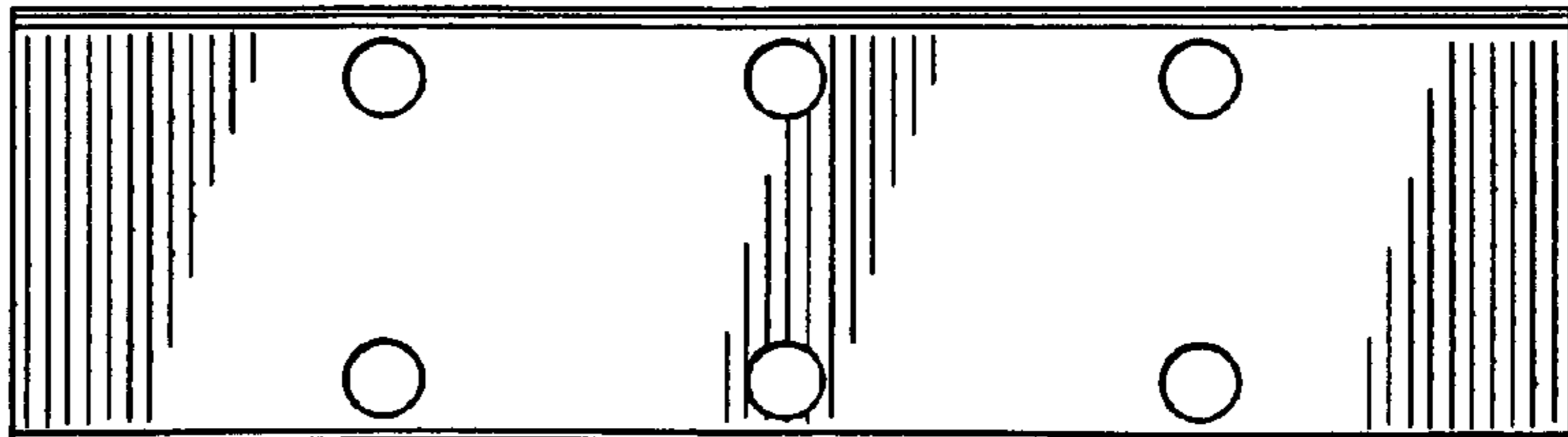


Fig. 7



