

US00D545091S

(12) **United States Design Patent** (10) **Patent No.:** **US D545,091 S**
Kawamura (45) **Date of Patent:** **** Jun. 26, 2007**

(54) **MASSAGE CHAIR**

(75) Inventor: **Noritsugu Kawamura**, Osaka (JP)

(73) Assignee: **Family Co., Ltd.**, Osaka-shi (JP)

(**) Term: **14 Years**

(21) Appl. No.: **29/251,901**

(22) Filed: **Jan. 13, 2006**

(30) **Foreign Application Priority Data**

Jul. 15, 2005 (JP) 2005-020853

(51) **LOC (8) Cl.** **06-01**

(52) **U.S. Cl.** **D6/501; D6/367**

(58) **Field of Classification Search** D6/334-336,
D6/360, 361, 367, 371, 373, 500-502; 297/217.1,
297/217.2, 217.3, 411.45, 423.19, 423.2;
601/97-99, 115, 116, 148, 149

See application file for complete search history.

(56) **References Cited**

U.S. PATENT DOCUMENTS

D372,801 S *	8/1996	Fujimoto et al.	D6/367
D372,802 S *	8/1996	Fujimoto et al.	D6/367
5,762,618 A *	6/1998	Yamanaka et al.	601/148
D418,990 S *	1/2000	Oguri et al.	D6/367
D447,348 S *	9/2001	Kobayashi et al.	D6/335
D471,372 S *	3/2003	Inada et al.	D6/367
D491,375 S *	6/2004	Yuyama	D6/335
D502,817 S *	3/2005	Inada et al.	D6/367
D517,337 S *	3/2006	Mori	D6/367
D517,338 S *	3/2006	Inada et al.	D6/367
D536,189 S *	2/2007	Kita	D6/367

* cited by examiner

Primary Examiner—Mimosa De

(74) *Attorney, Agent, or Firm*—Alleman Hall McCoy Russell & Tuttle LLP

(57) **CLAIM**

The ornamental design for a massage chair, as shown and described.

DESCRIPTION

FIG. 1 is a front view of a massage chair according to the present invention.

FIG. 2 is a rear view of FIG. 1.

FIG. 3 is a top view of FIG. 1.

FIG. 4 is a bottom view of FIG. 1.

FIG. 5 is a left side view of FIG. 1.

FIG. 6 is a right side view of FIG. 1.

FIG. 7 is a front view of FIG. 1, shown with airbags inflated.

FIG. 8 is a top view of FIG. 1, shown with airbags inflated.

FIG. 9 is a bottom view of FIG. 1, shown with airbags inflated.

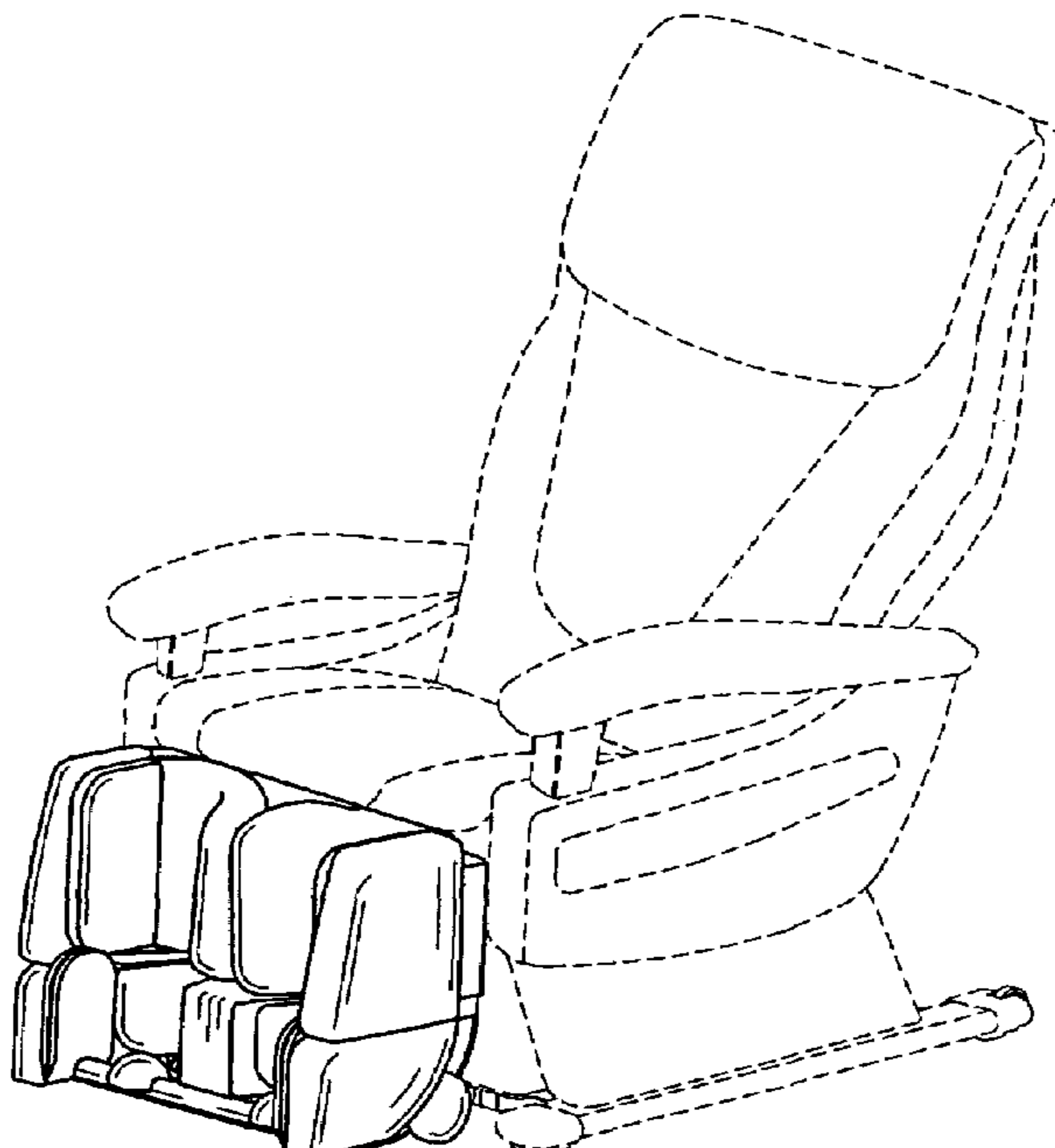
FIG. 10 is a left side view of FIG. 1, shown in a raised position.

FIG. 11 is a bottom view of the massage chair of FIG. 1, shown in a raised position; and,

FIG. 12 is a perspective view of the massage chair of FIG. 1.

The broken lines are for illustrative purposes only, and form no part of the claimed design.

1 Claim, 6 Drawing Sheets



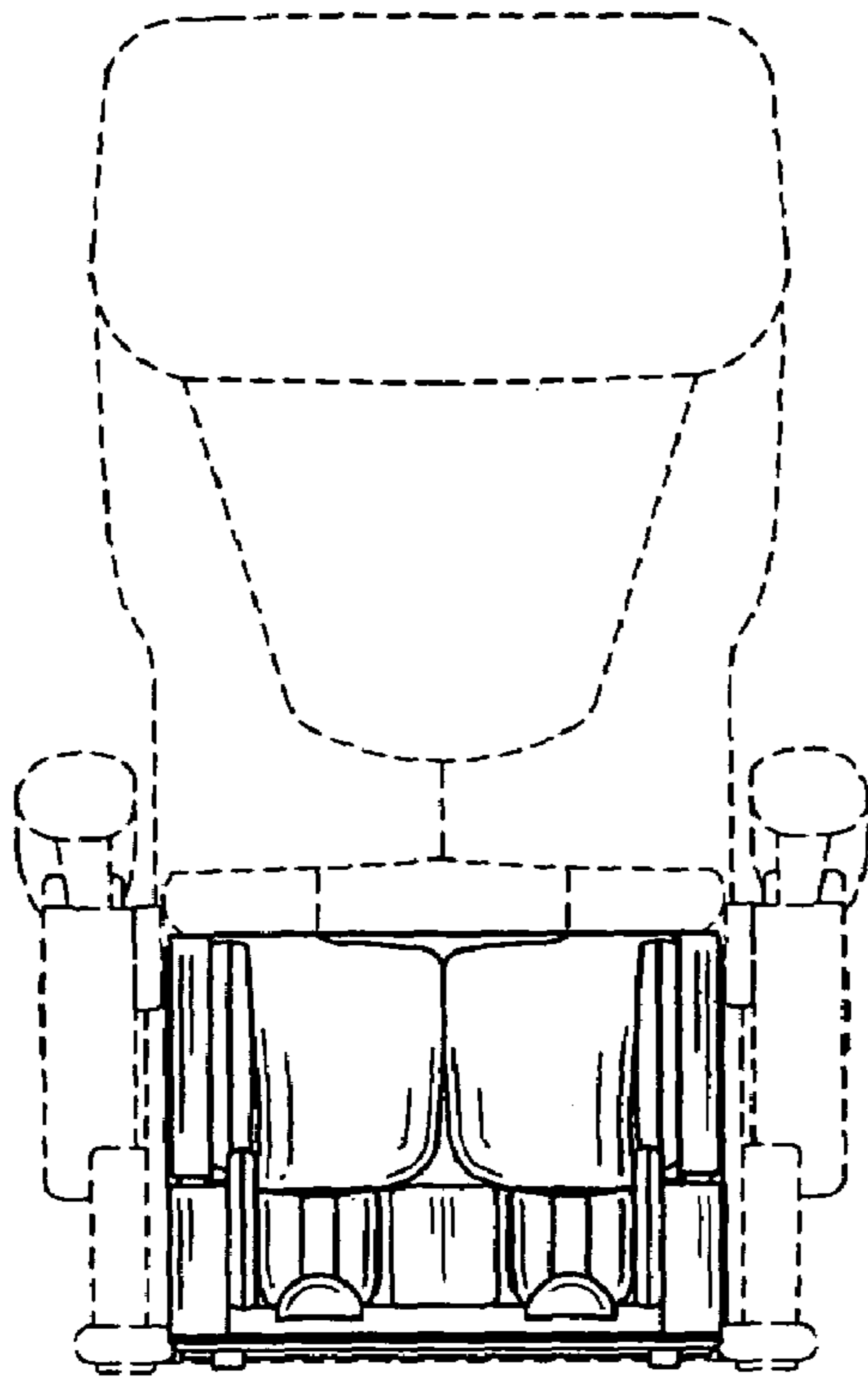


FIG. 1

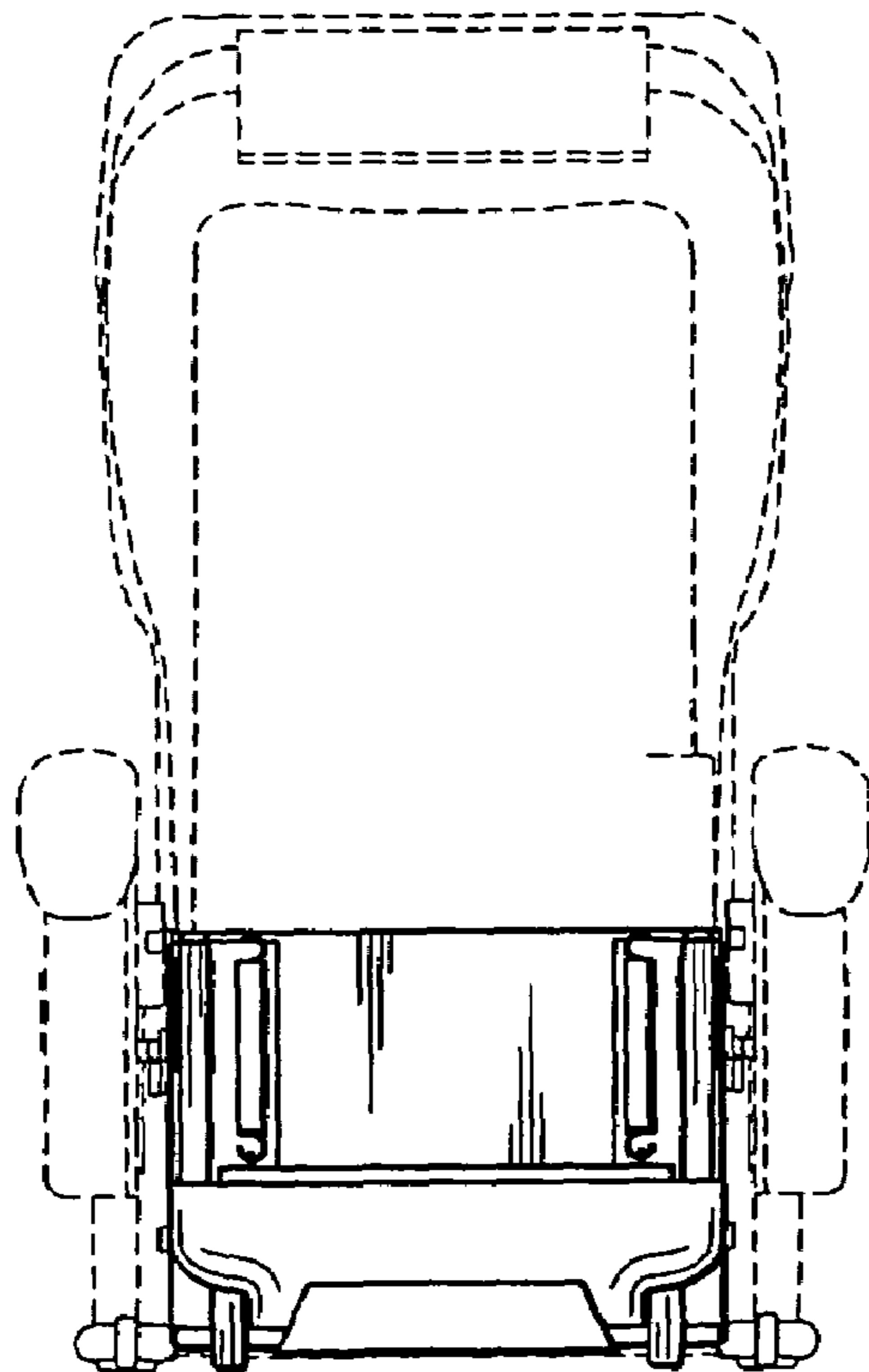


FIG. 2

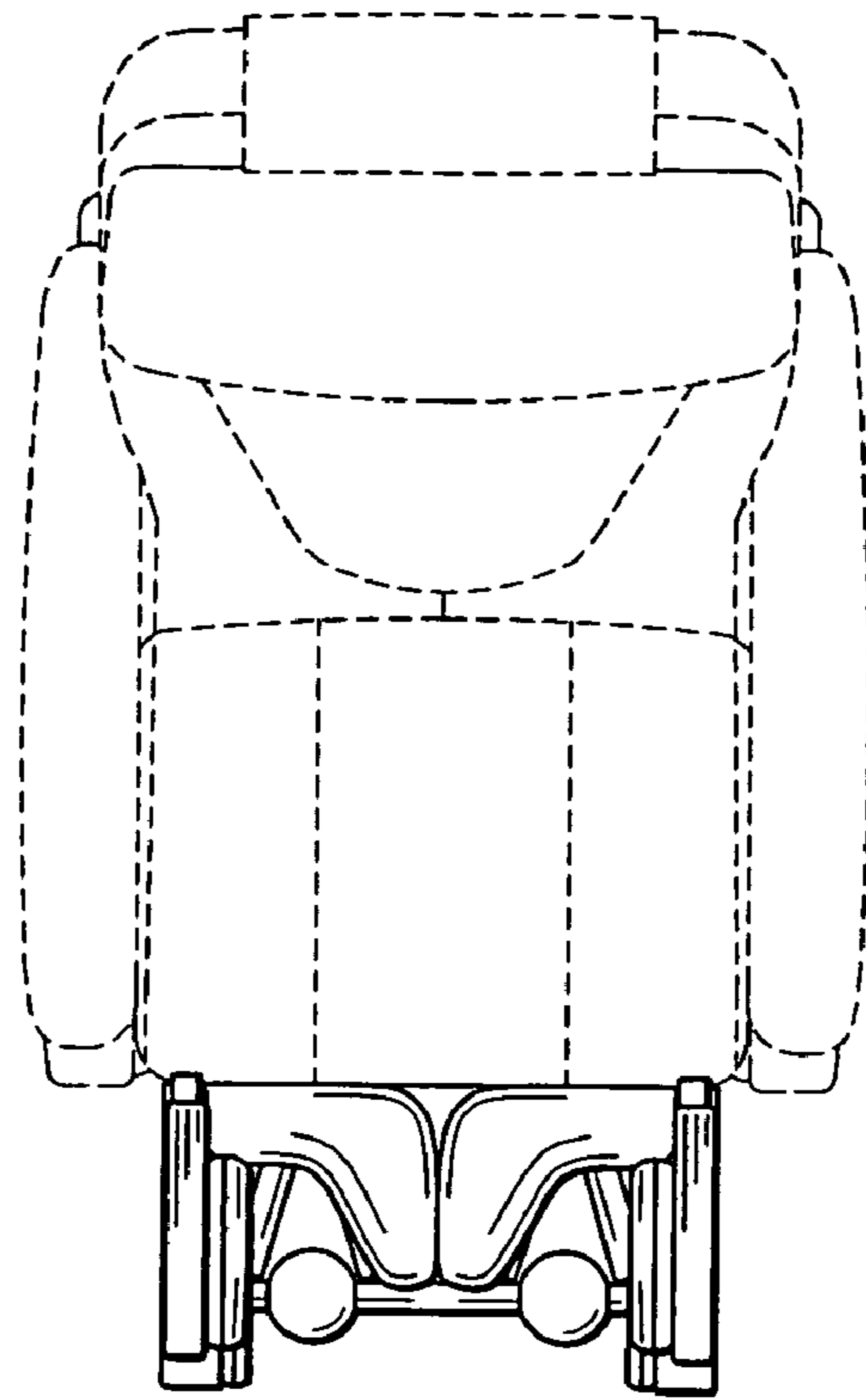


FIG. 3

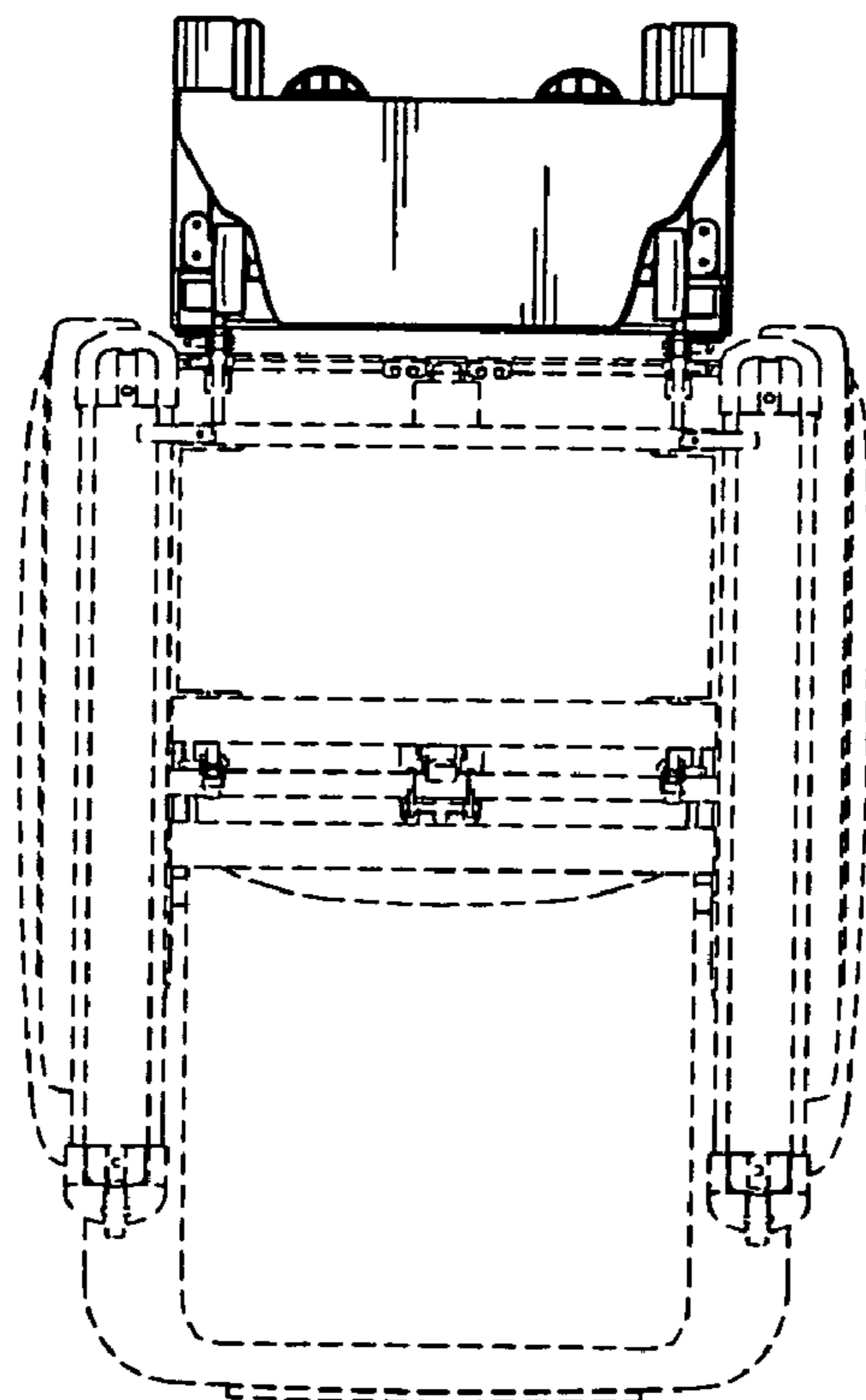


FIG. 4

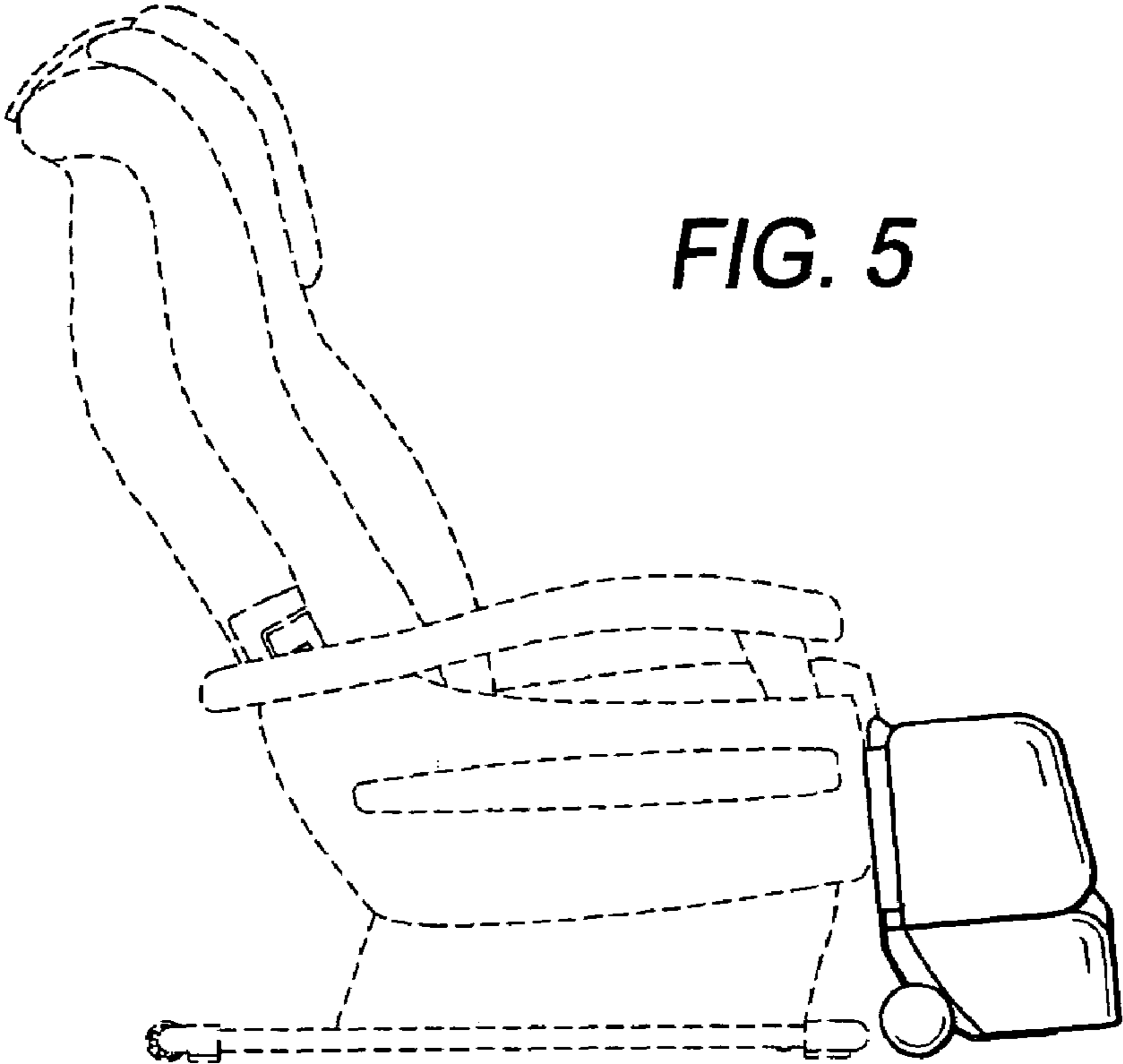
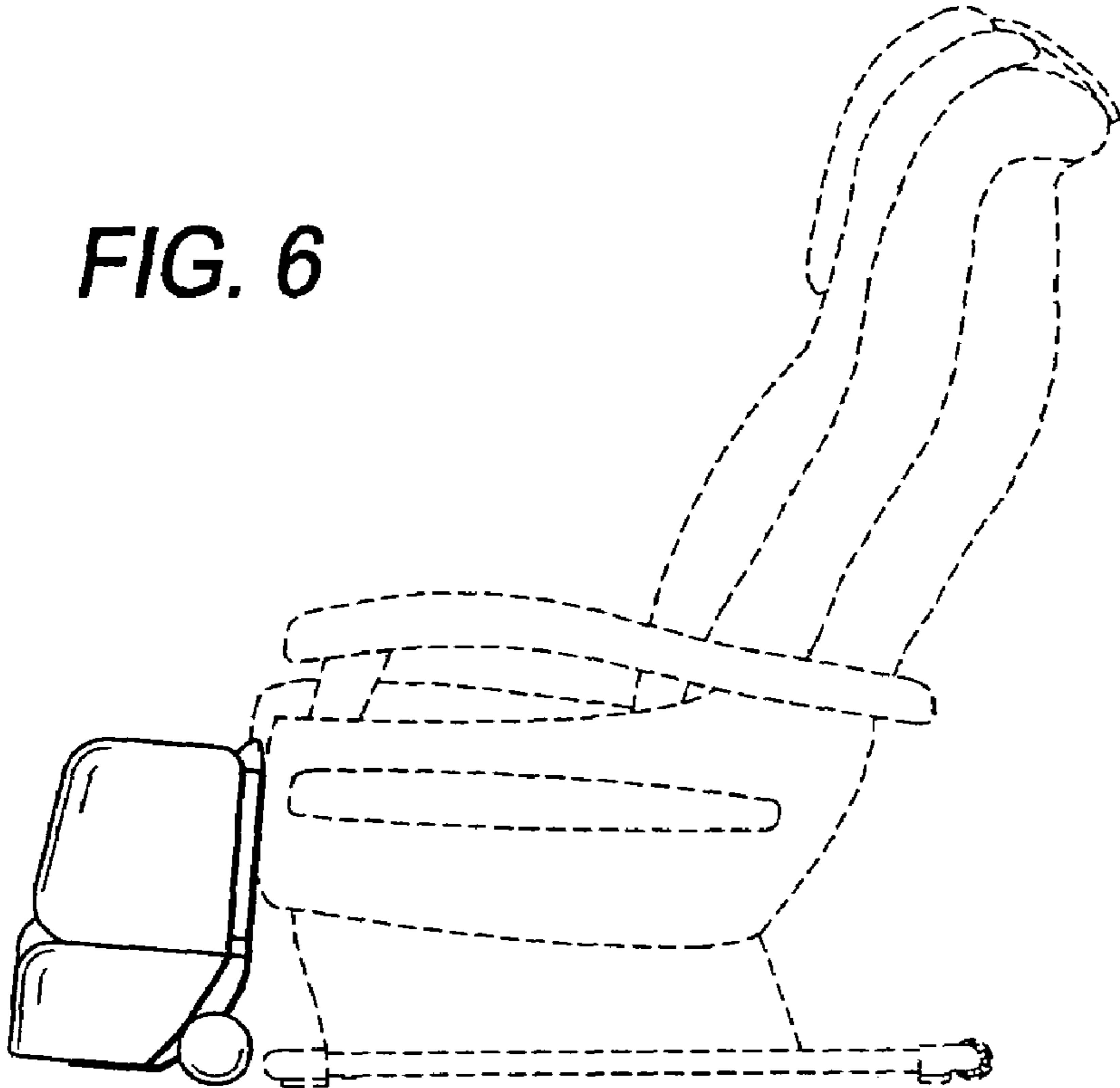


FIG. 6



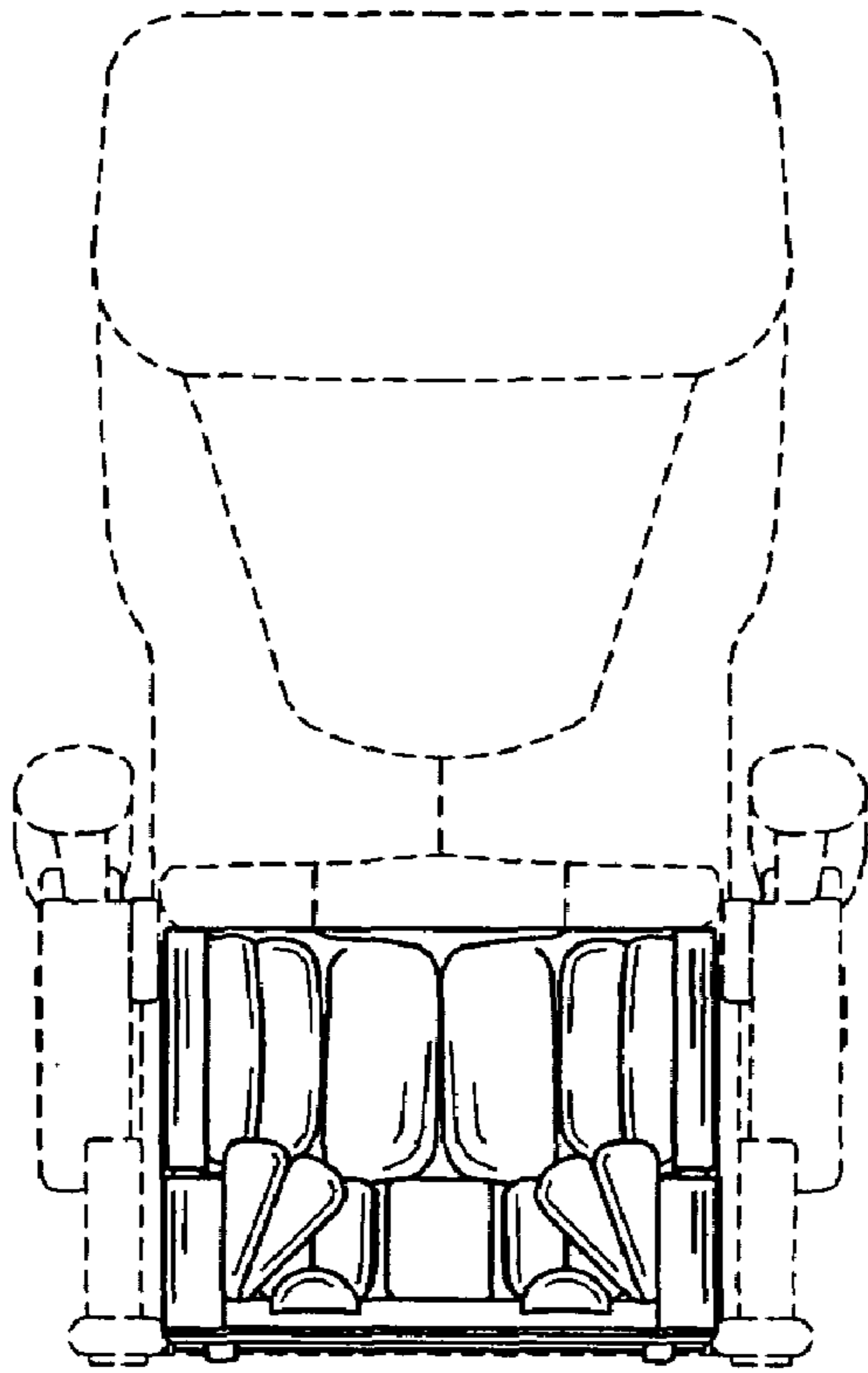


FIG. 7

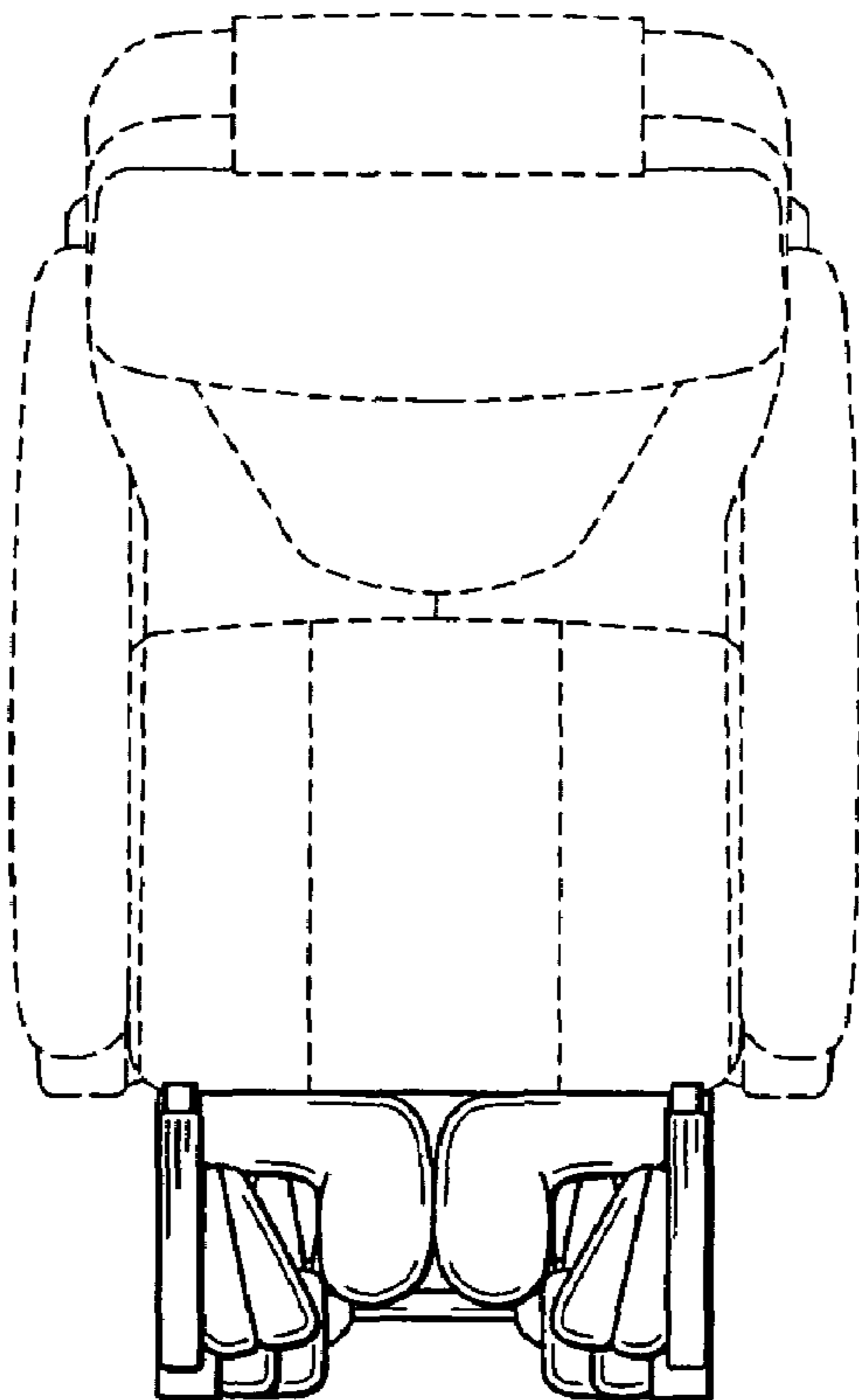


FIG. 8

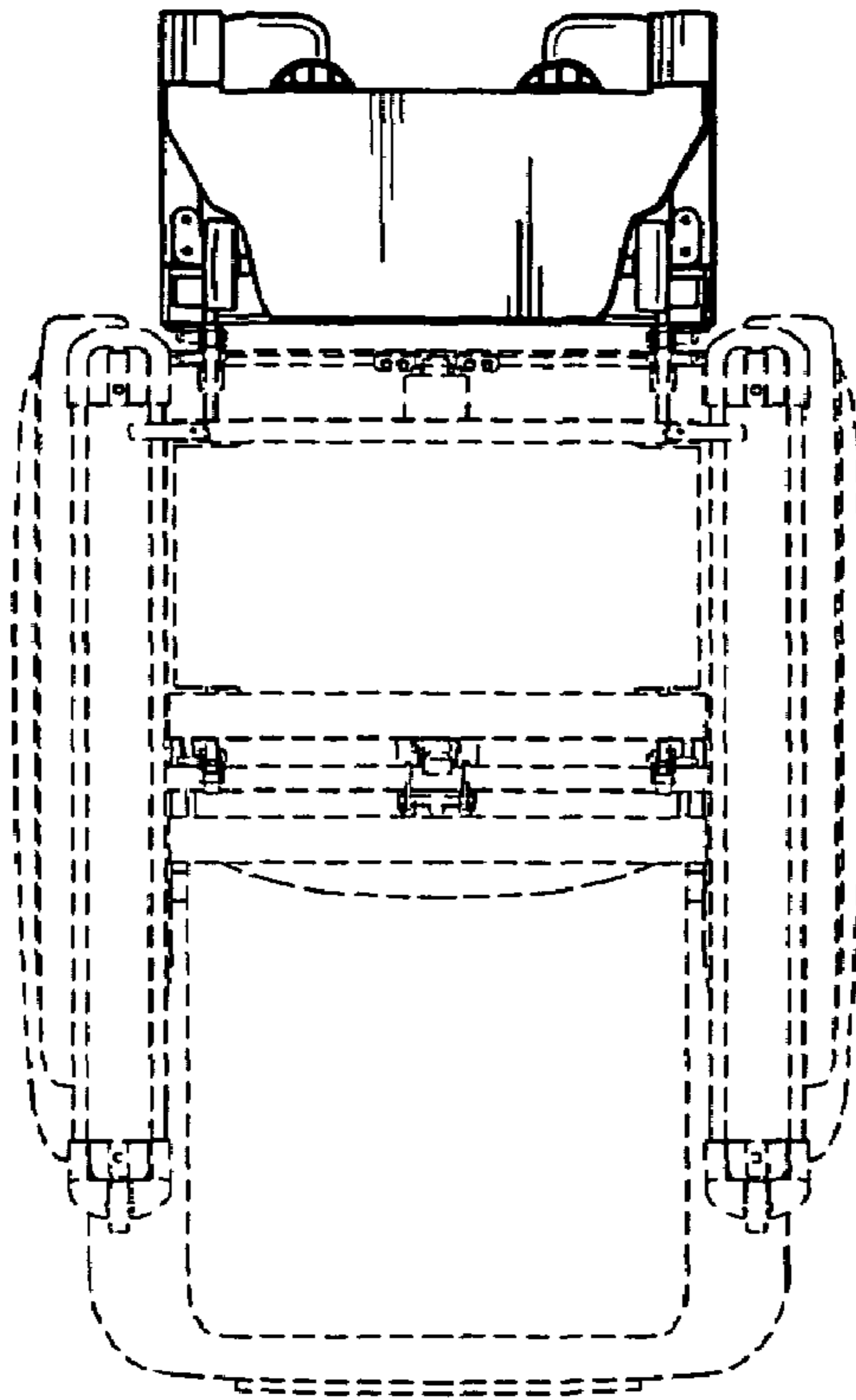


FIG. 9

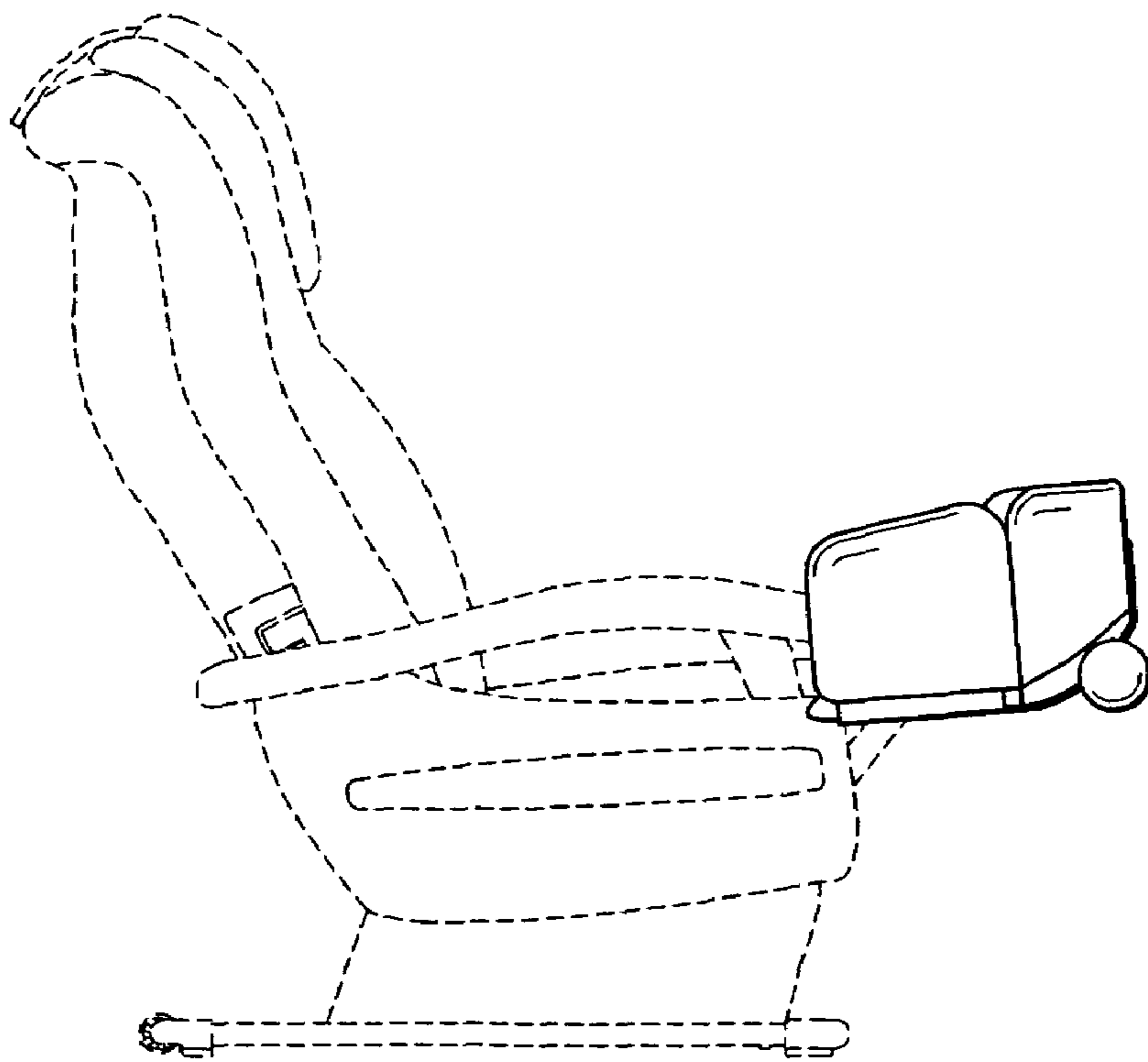


FIG. 10

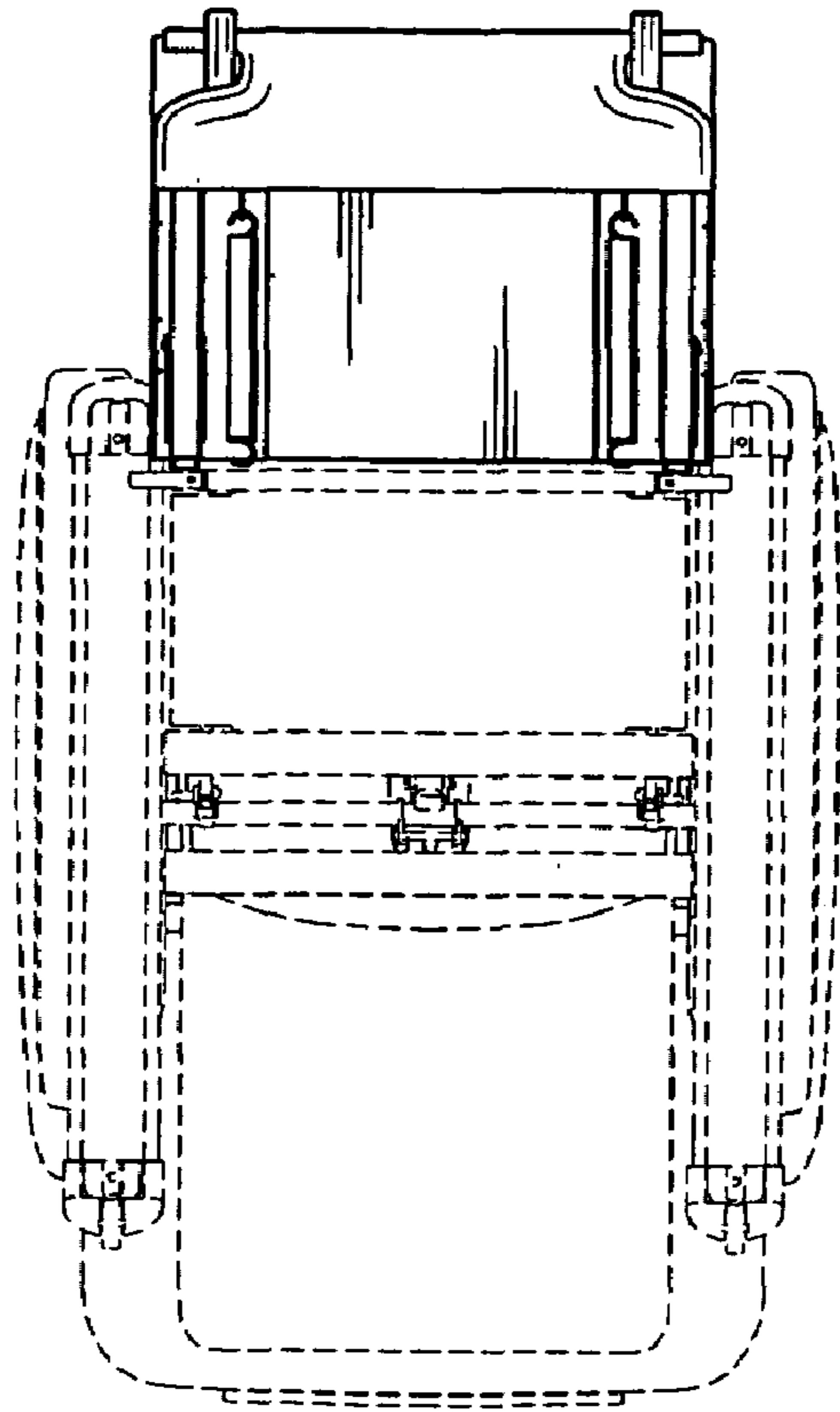


FIG. 11

FIG. 12

