



US00D545090S

(12) **United States Design Patent**  
**Grove et al.**

(10) **Patent No.:** **US D545,090 S**

(45) **Date of Patent:** **\*\* Jun. 26, 2007**

(54) **CHAIR ARM FRAME**

(76) Inventors: **James E. Grove**, 4316 Marina City Dr.,  
423 CTN, Marina Del Ray, CA (US)  
90292; **Andy Vong**, 927 Amoroso Pl.,  
Venice, CA (US) 90291

(\*\*) Term: **14 Years**

(21) Appl. No.: **29/245,779**

(22) Filed: **Dec. 30, 2005**

(51) **LOC (8) Cl.** ..... **06-06**

(52) **U.S. Cl.** ..... **D6/501; D6/366**

(58) **Field of Classification Search** ..... D6/334-336,  
D6/364, 365, 366, 367, 379, 380, 500-502;  
297/411.2, 411.27, 411.28, 411.4, 411.41,  
297/463.1; 5/646

See application file for complete search history.

(56) **References Cited**

**U.S. PATENT DOCUMENTS**

- D292,655 S \* 11/1987 Hendrick ..... D6/366
- D298,988 S \* 12/1988 Smith et al. .... D6/366
- 5,046,206 A \* 9/1991 Broyles ..... 5/646
- D330,809 S \* 11/1992 Citterio ..... D6/366
- D331,154 S \* 11/1992 Sheridan ..... D6/366

- D393,953 S \* 5/1998 Diramarian ..... D6/366
- D507,438 S \* 7/2005 Grove ..... D6/501

\* cited by examiner

*Primary Examiner*—Mimosa De

(74) *Attorney, Agent, or Firm*—Moland C. Fischer

(57) **CLAIM**

The ornamental design for a chair arm frame, as shown and described.

**DESCRIPTION**

FIG. 1 is a perspective view showing the bottom and rear of a chair arm frame which forms our new design, the broken lines of a chair being for illustrative purposes only and forming no part of our design;

FIG. 2 is an enlarged perspective view showing the front, left side and right side of a chair arm frame which forms our new design;

FIG. 3 is an enlarged top plan view thereof;

FIG. 4 is an enlarged bottom plan view thereof;

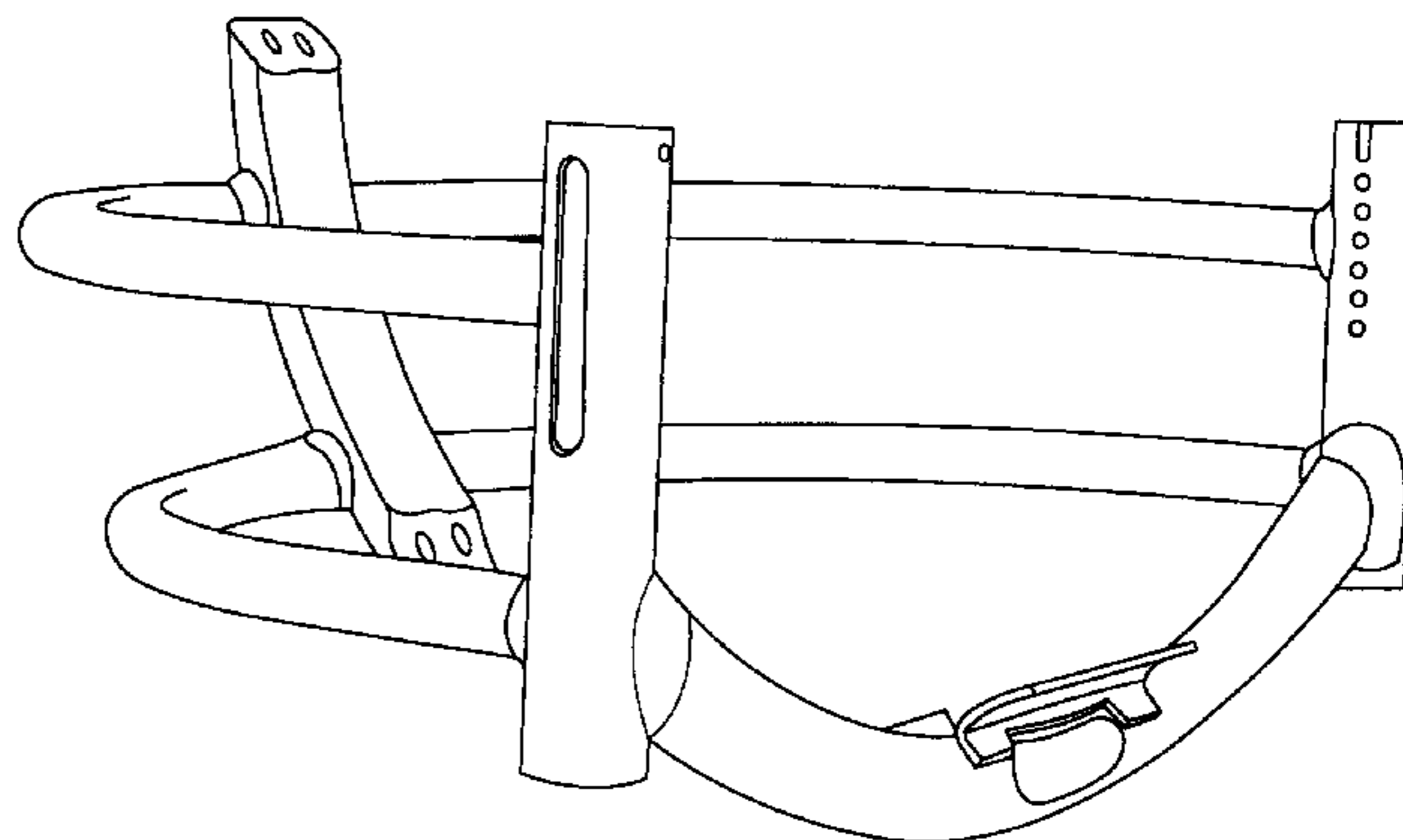
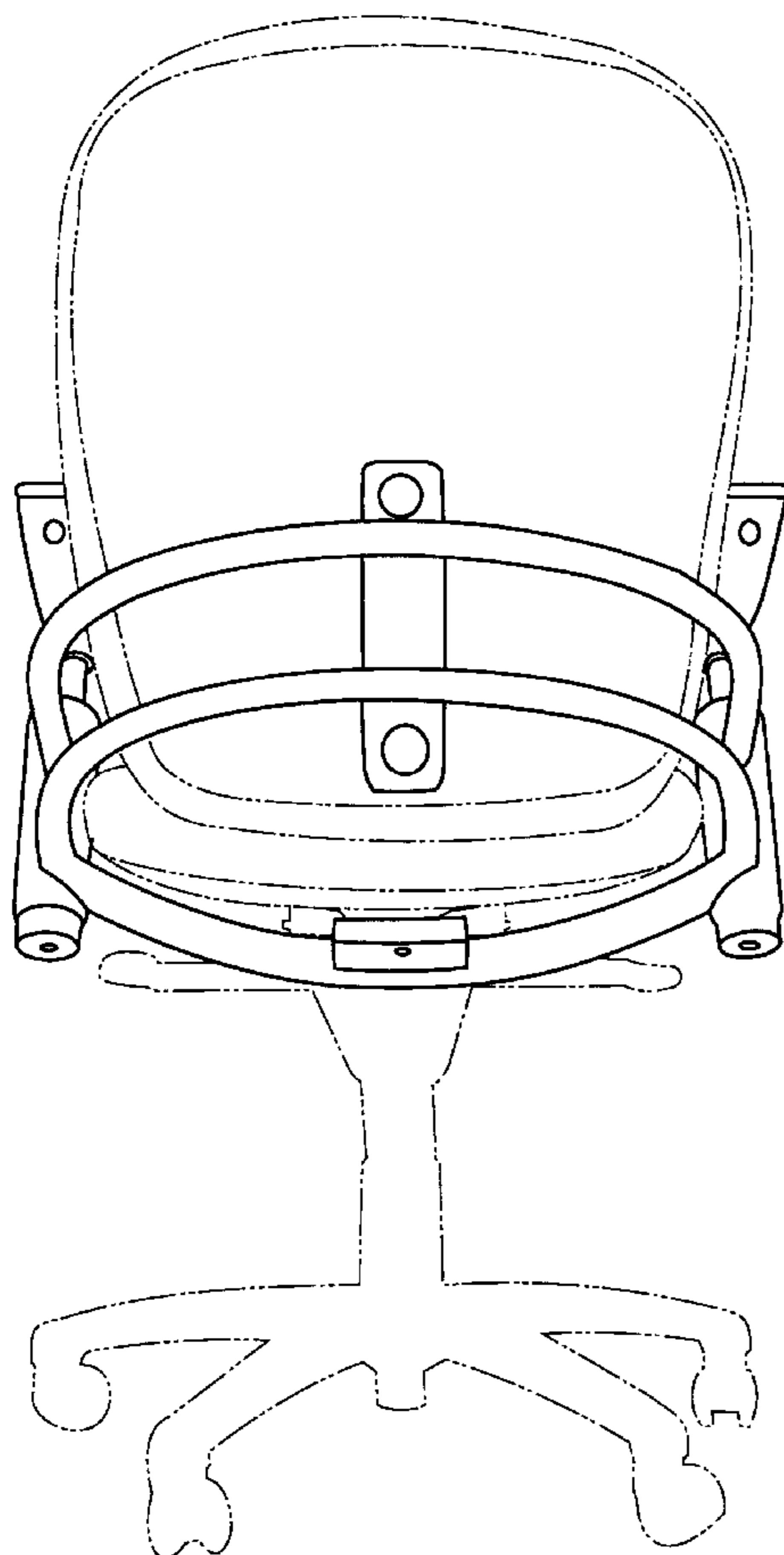
FIG. 5 is an enlarged left side elevational view thereof;

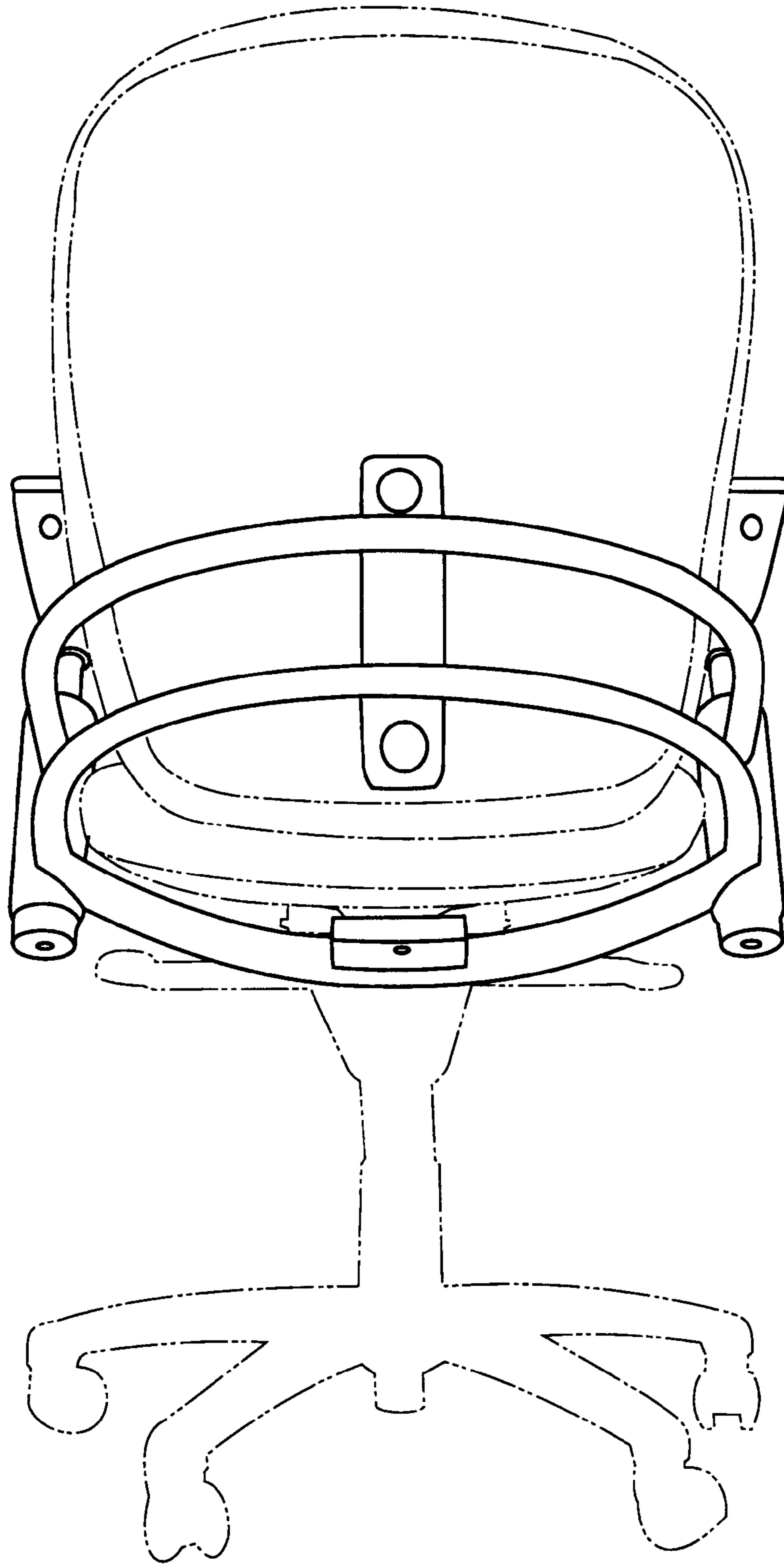
FIG. 6 is an enlarged right side elevational view thereof; and

FIG. 7 is an enlarged front elevational view thereof; and,

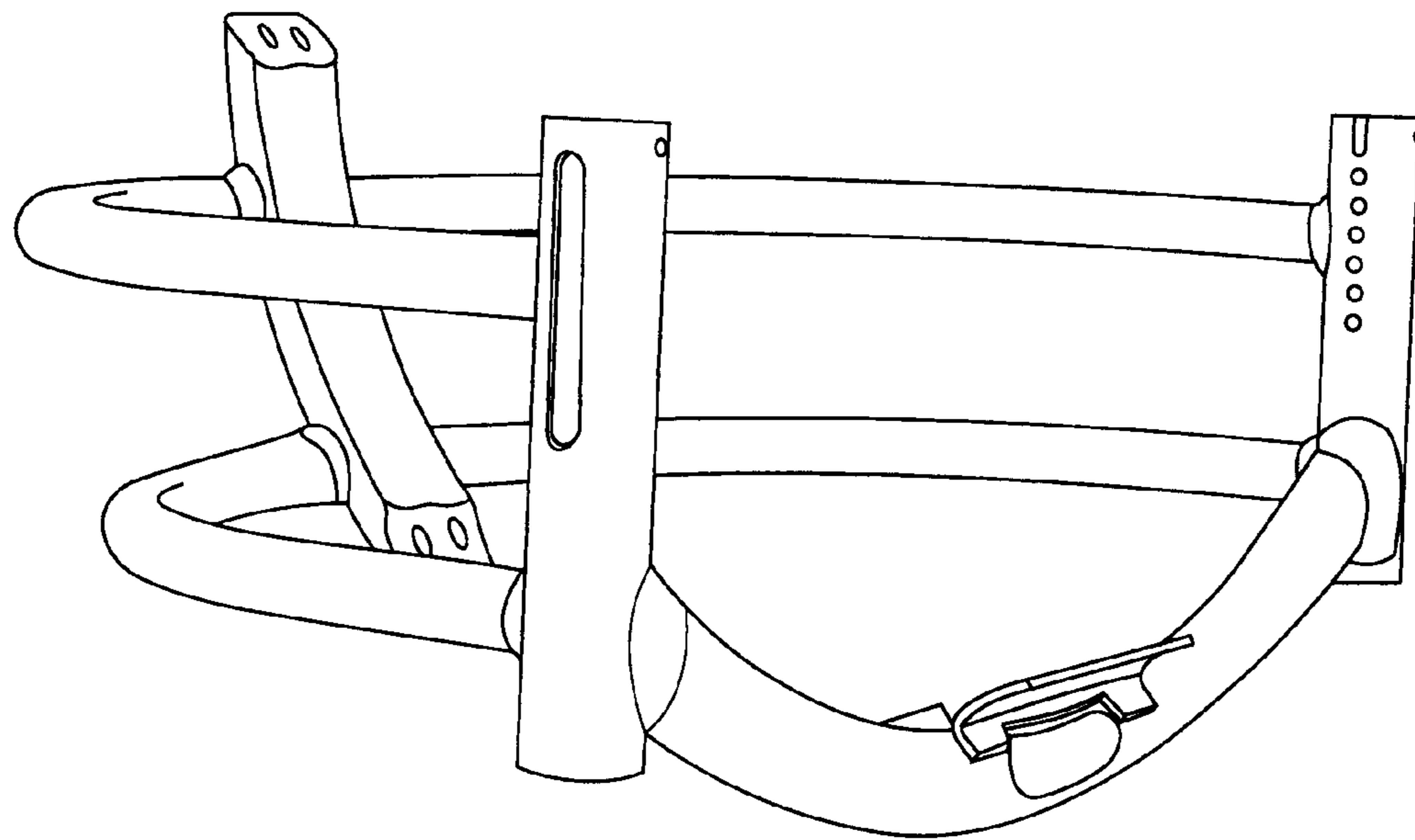
FIG. 8 is an enlarged rear elevational view thereof.

**1 Claim, 8 Drawing Sheets**

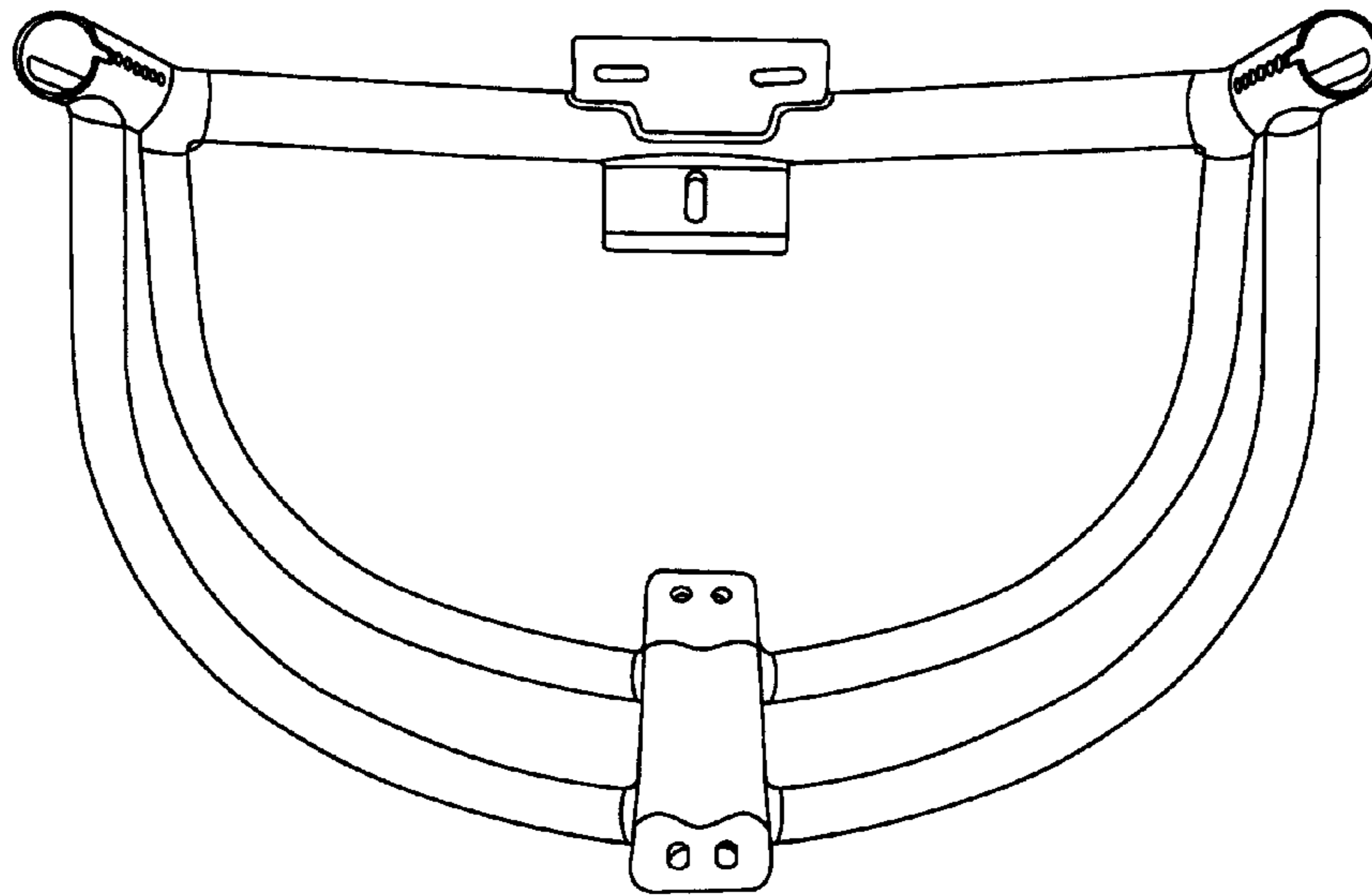




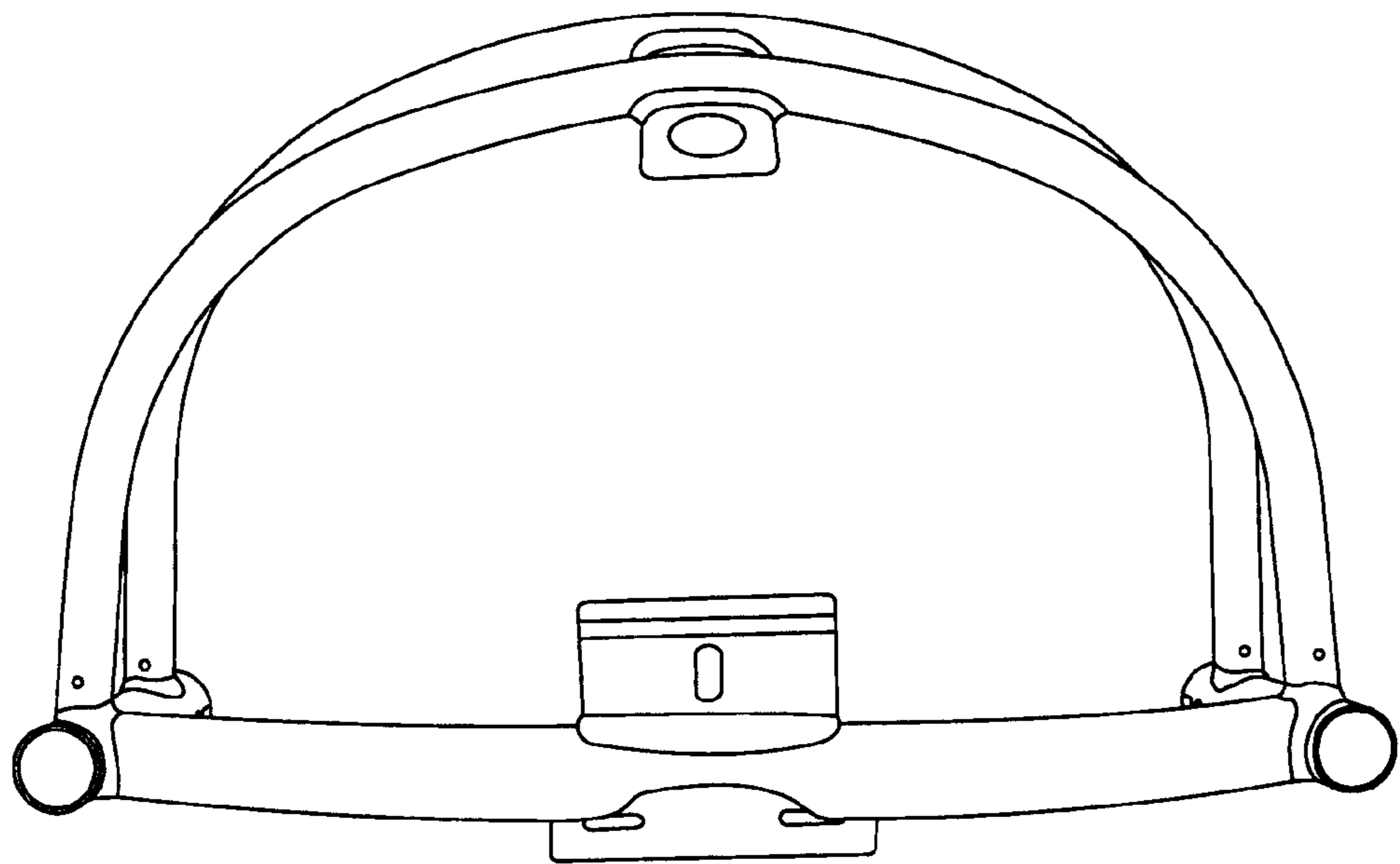
*FIG. 1*



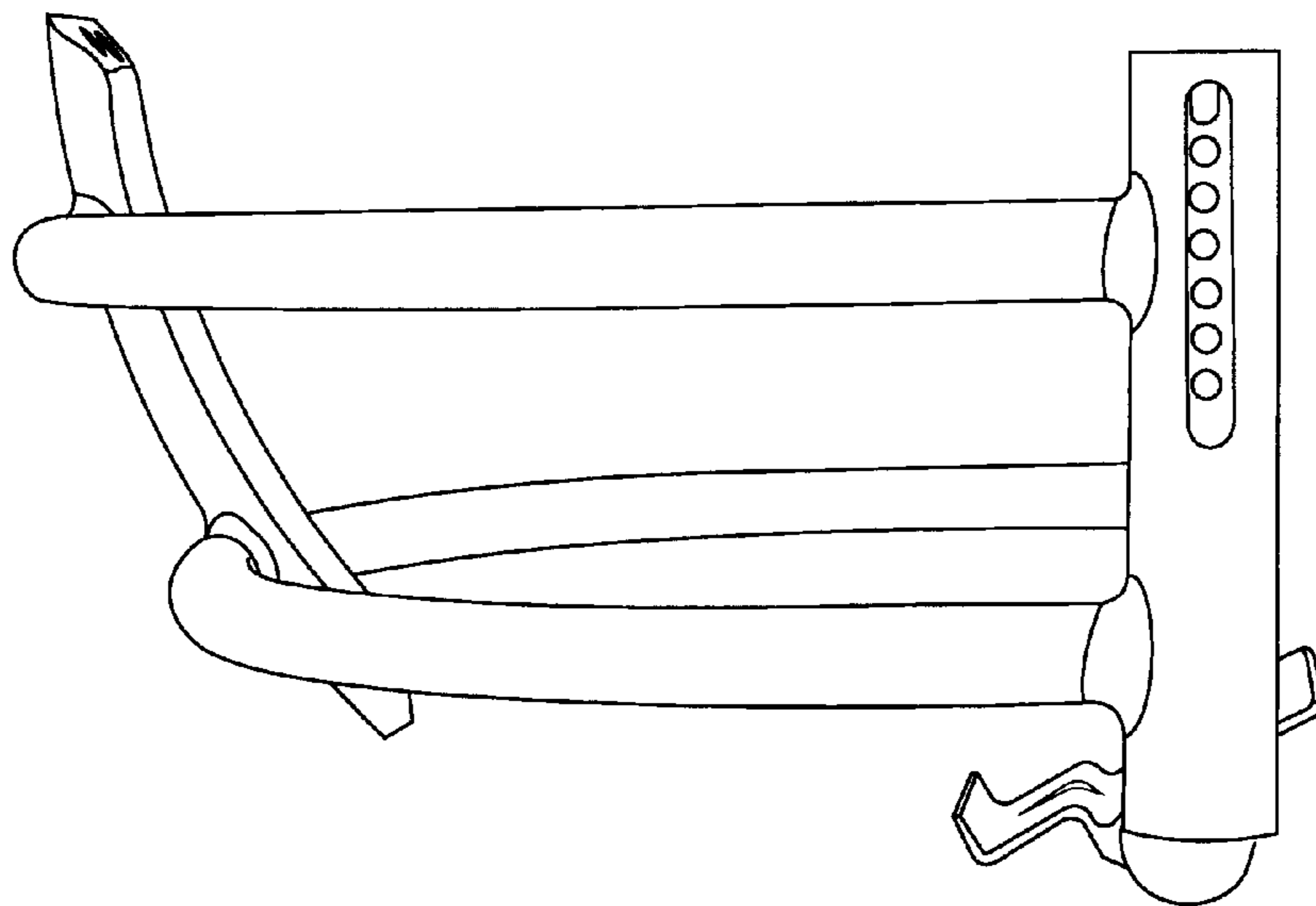
*FIG. 2*



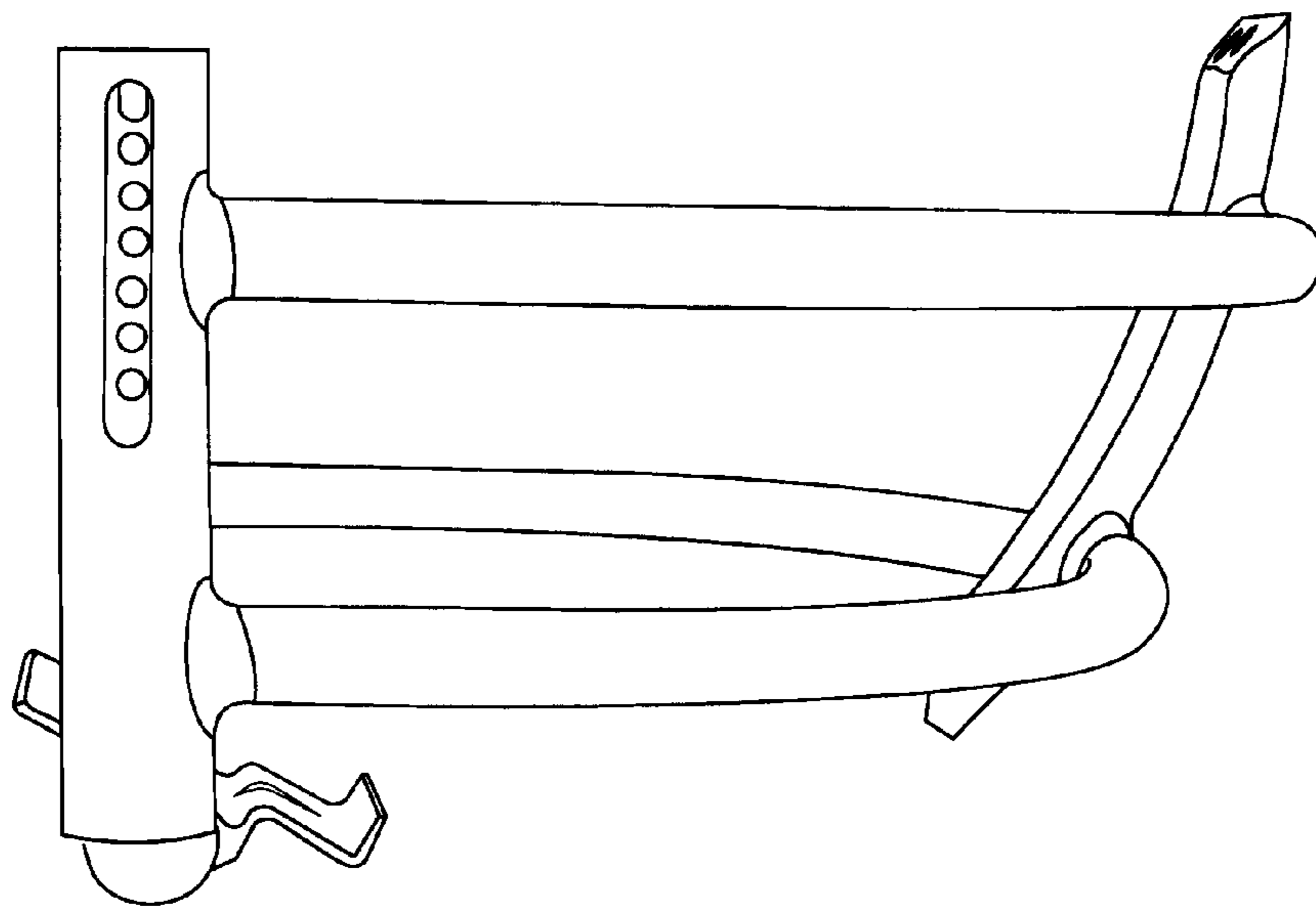
*FIG. 3*



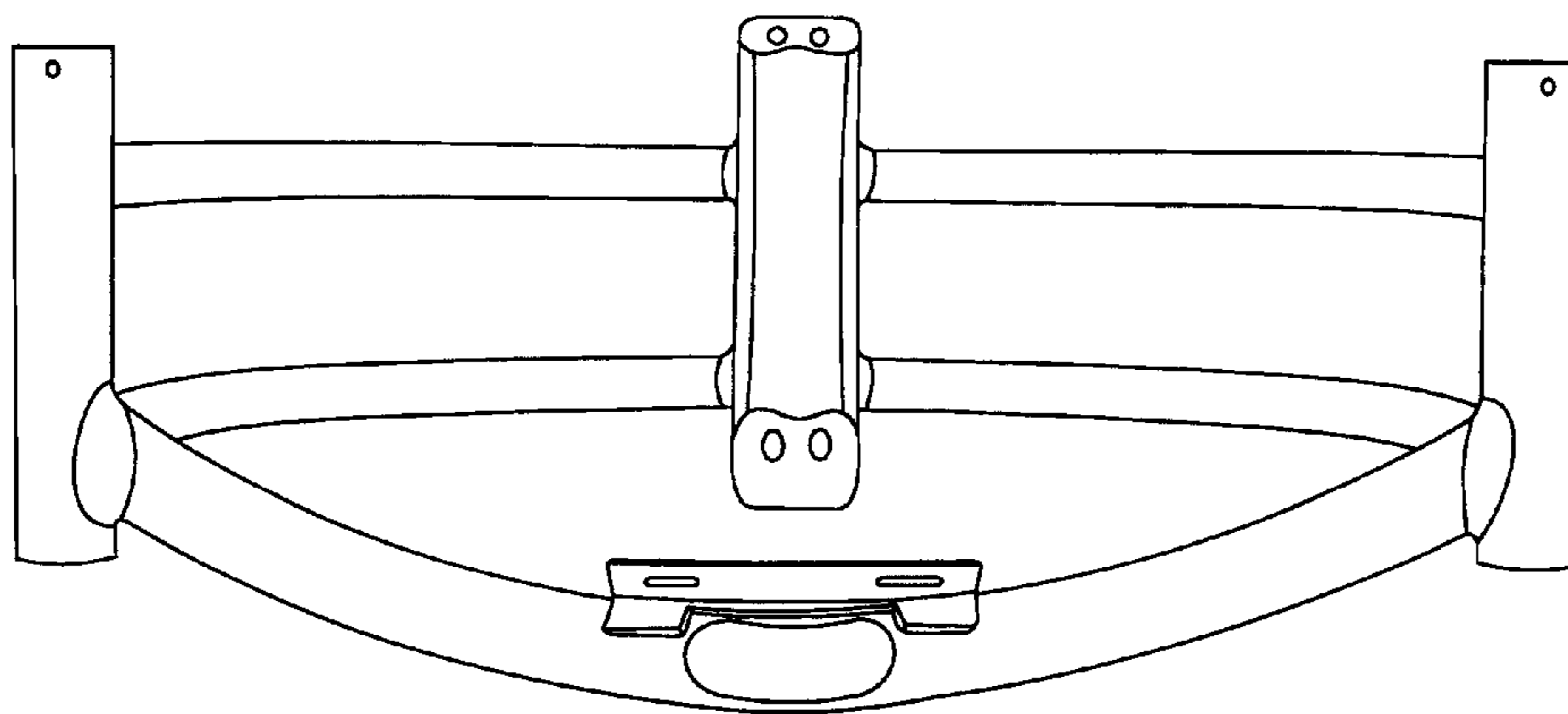
*FIG. 4*



*FIG. 5*

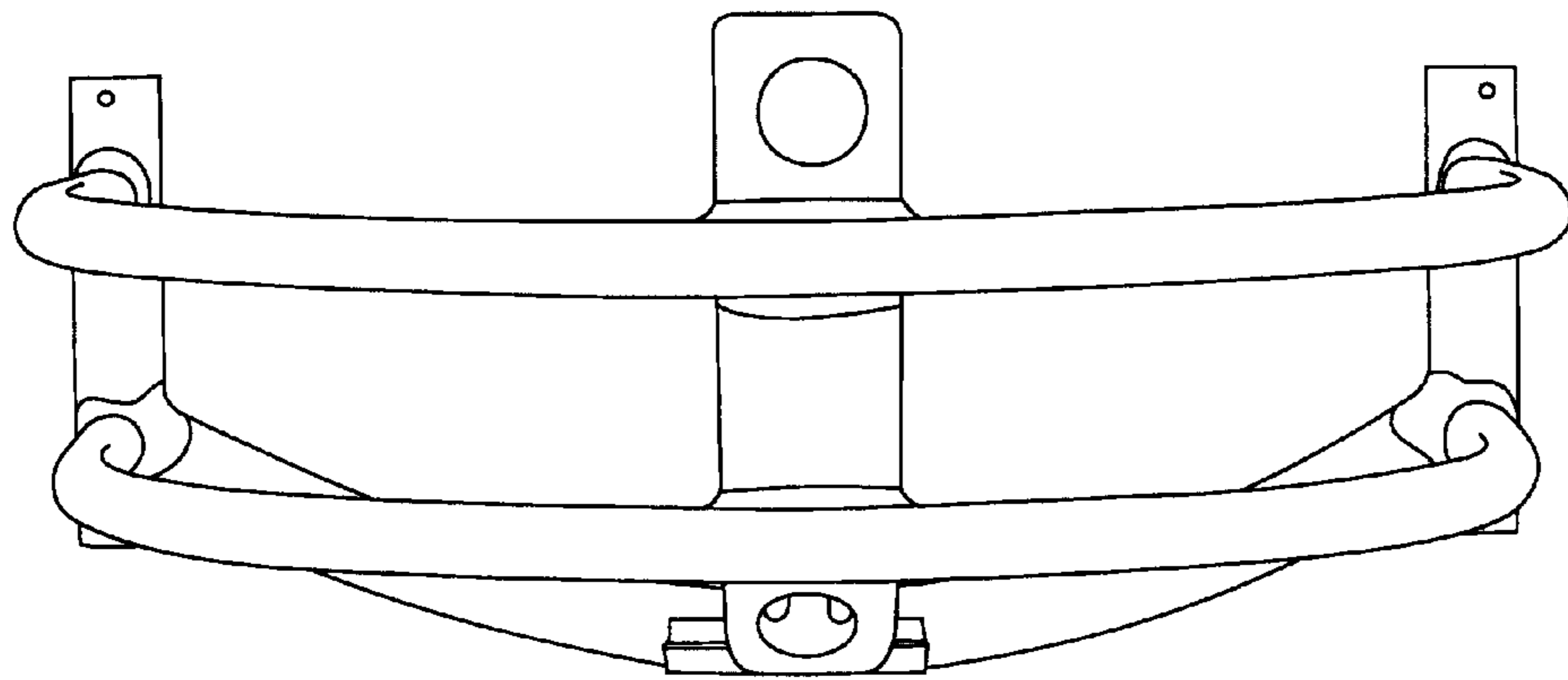


*FIG. 6*



*FIG. 7*





*FIG. 8*