



US00D545087S

(12) **United States Design Patent**
Muller

(10) **Patent No.:** **US D545,087 S**

(45) **Date of Patent:** **** Jun. 26, 2007**

(54) **TABLE BASE**

(75) Inventor: **Carl A. Muller**, Huntington Beach, CA (US)

(73) Assignee: **Elite Manufacturing Corporation**, Santa Fe Springs, CA (US)

(**) Term: **14 Years**

(21) Appl. No.: **29/236,499**

(22) Filed: **Aug. 17, 2005**

(51) **LOC (8) Cl.** **06-06**

(52) **U.S. Cl.** **D6/495**

(58) **Field of Classification Search** D6/480-489, D6/495-499; 108/50.01, 50.02, 150, 153.1, 108/155, 156, 157.1, 161; 248/188, 188.1, 248/188.8

See application file for complete search history.

(56) **References Cited**

U.S. PATENT DOCUMENTS

D328,000 S	*	7/1992	Weaver	D6/485
D340,158 S	*	10/1993	Cionini	D6/495
D359,637 S	*	6/1995	Hammie	D6/482
D470,350 S	*	2/2003	Muggleton	D6/495
D509,385 S	*	9/2005	Muller	D6/480

OTHER PUBLICATIONS

Carl A. Muller, Table Base, U.S. Appl. No. 29/236,496, filed Aug. 17, 2005, 13 pp.

Carl A. Muller, Table Base, U.S. Appl. No. 29/236,498, filed Aug. 17, 2005, 6 pp.

Carl A. Muller, Elite Scoop Accent Table #250, 2 pp., Apr. 2002.

* cited by examiner

Primary Examiner—Janice E. Seeger

(74) *Attorney, Agent, or Firm*—Heslin Rothenberg Farley & Mesiti P.C.

(57) **CLAIM**

The ornamental design for a table base, as shown and described.

DESCRIPTION

This application contains subject matter which is related to the subject matter of commonly assigned and co-filed U.S. Design patent application Ser. No. 29/236,496, entitled "Table Base," by Carl A. Muller, and U.S. Design patent application Ser. No. 29/236,498, entitled "Table Base," by Carl A. Muller, the entirety of these applications being incorporated herein by reference.

FIG. 1 is a perspective view of a table base in accordance with the new design;

FIG. 2 is a front elevational view thereof, a rear elevational view being a mirror image thereof;

FIG. 3 is a right side elevational view thereof, a left side elevational view being a mirror image thereof;

FIG. 4 is a top view thereof;

FIG. 5 is a perspective view of an alternative embodiment of a table base in accordance with the new design;

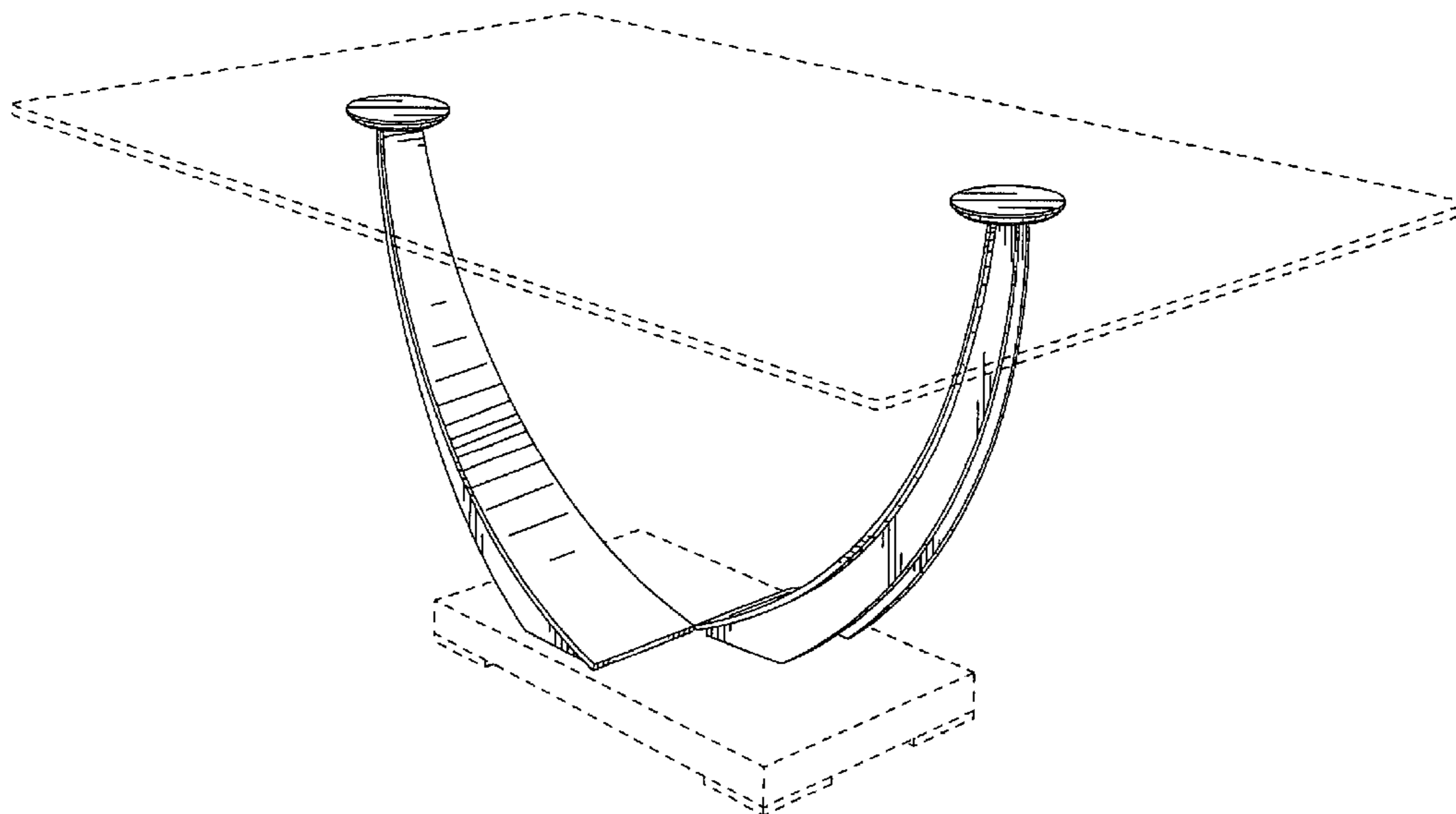
FIG. 6 is a front elevational view thereof, a rear elevational view being a mirror image thereof;

FIG. 7 is a right side elevational view thereof, a left side elevational view being a mirror image thereof; and,

FIG. 8 is a top view thereof.

The broken lines in the figures are for illustrative purposes only and form no part of the claimed invention.

1 Claim, 8 Drawing Sheets



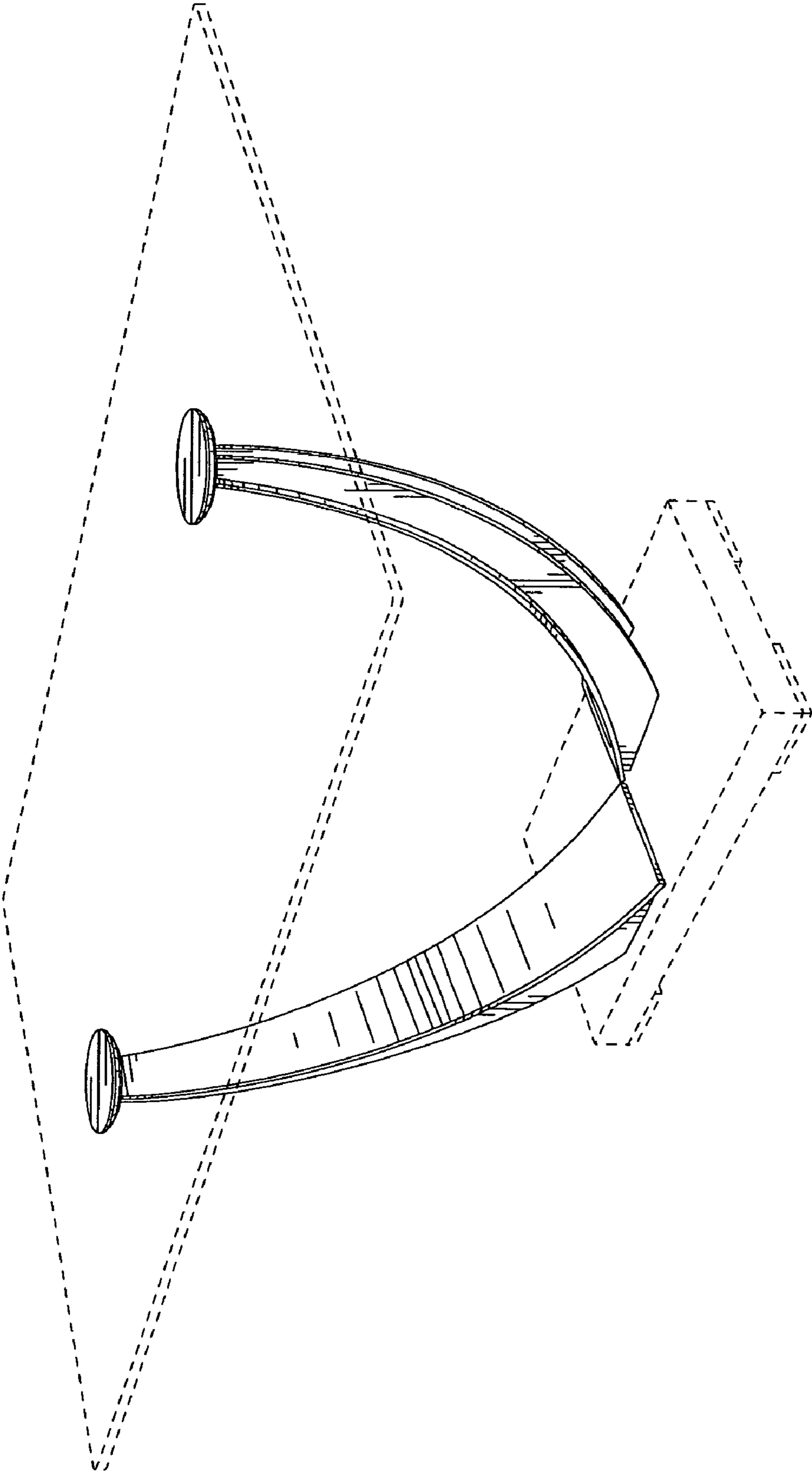


FIG. 1

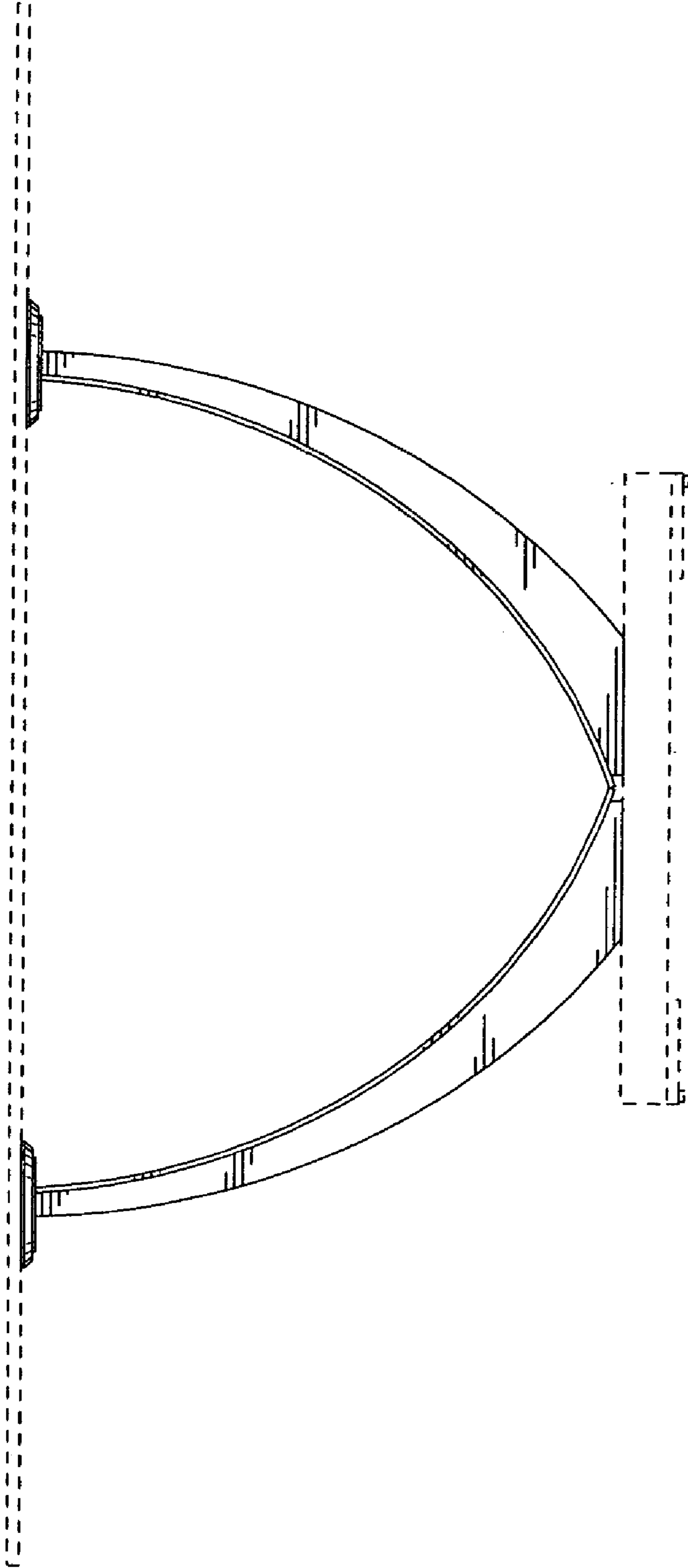


FIG. 2

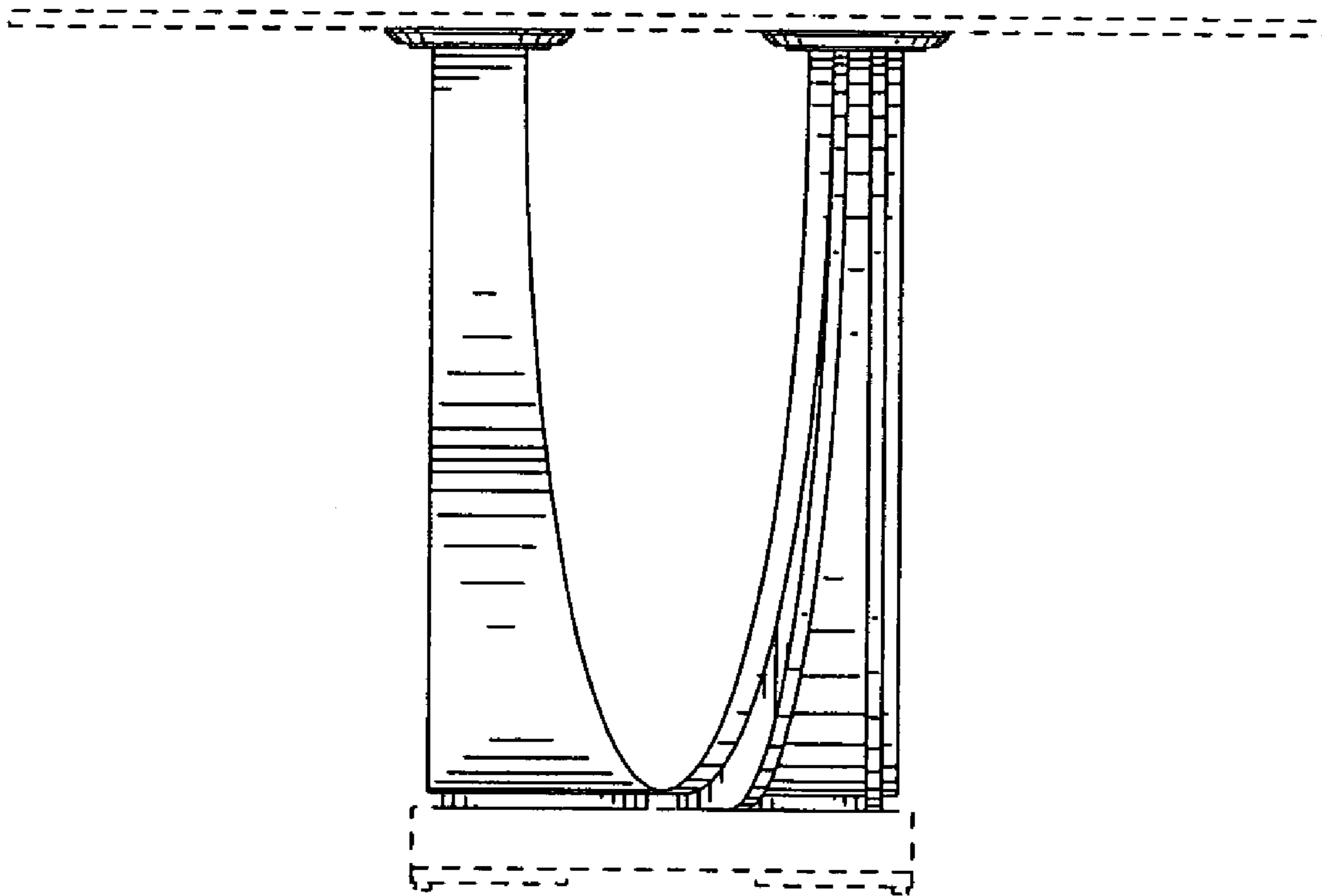


FIG. 3

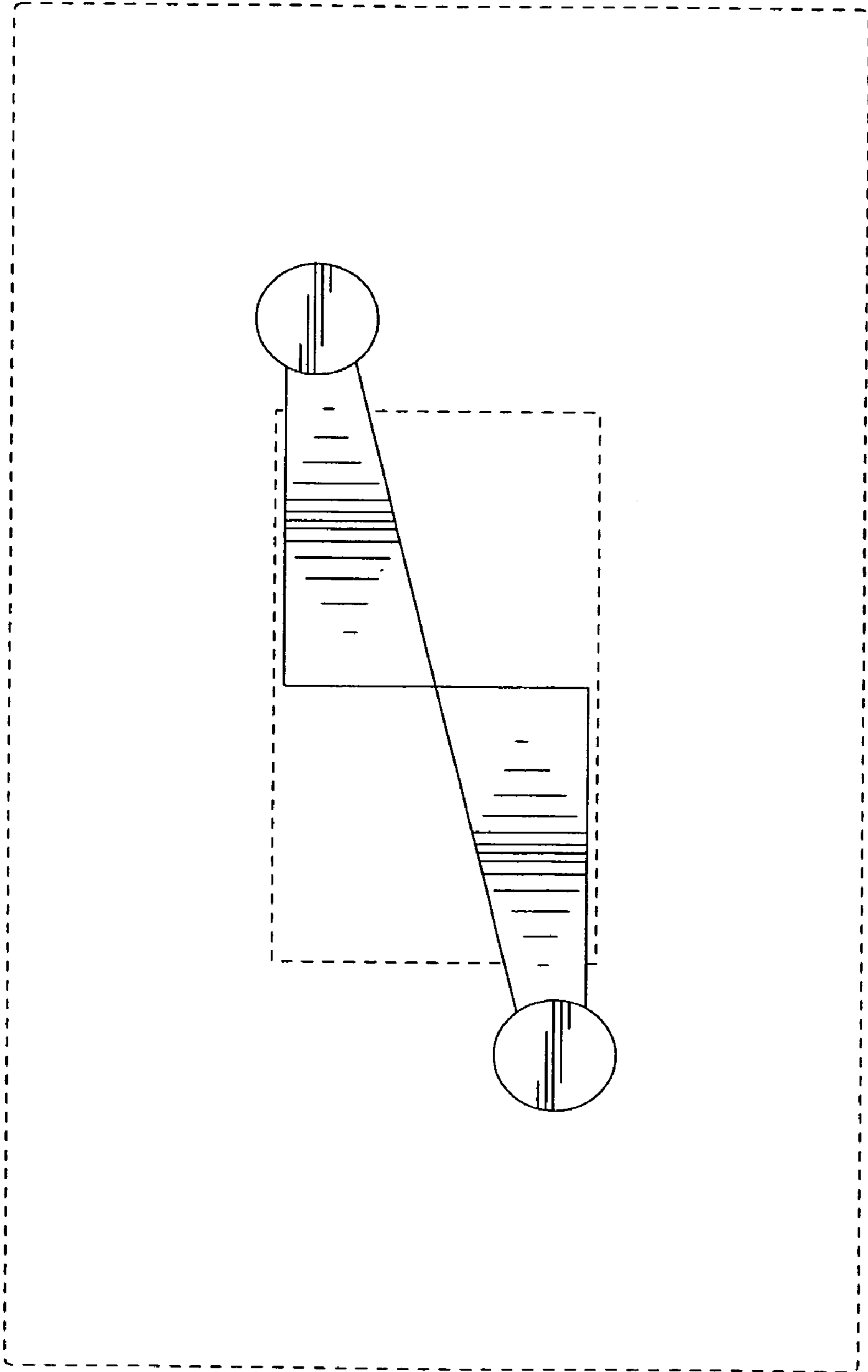


FIG. 4

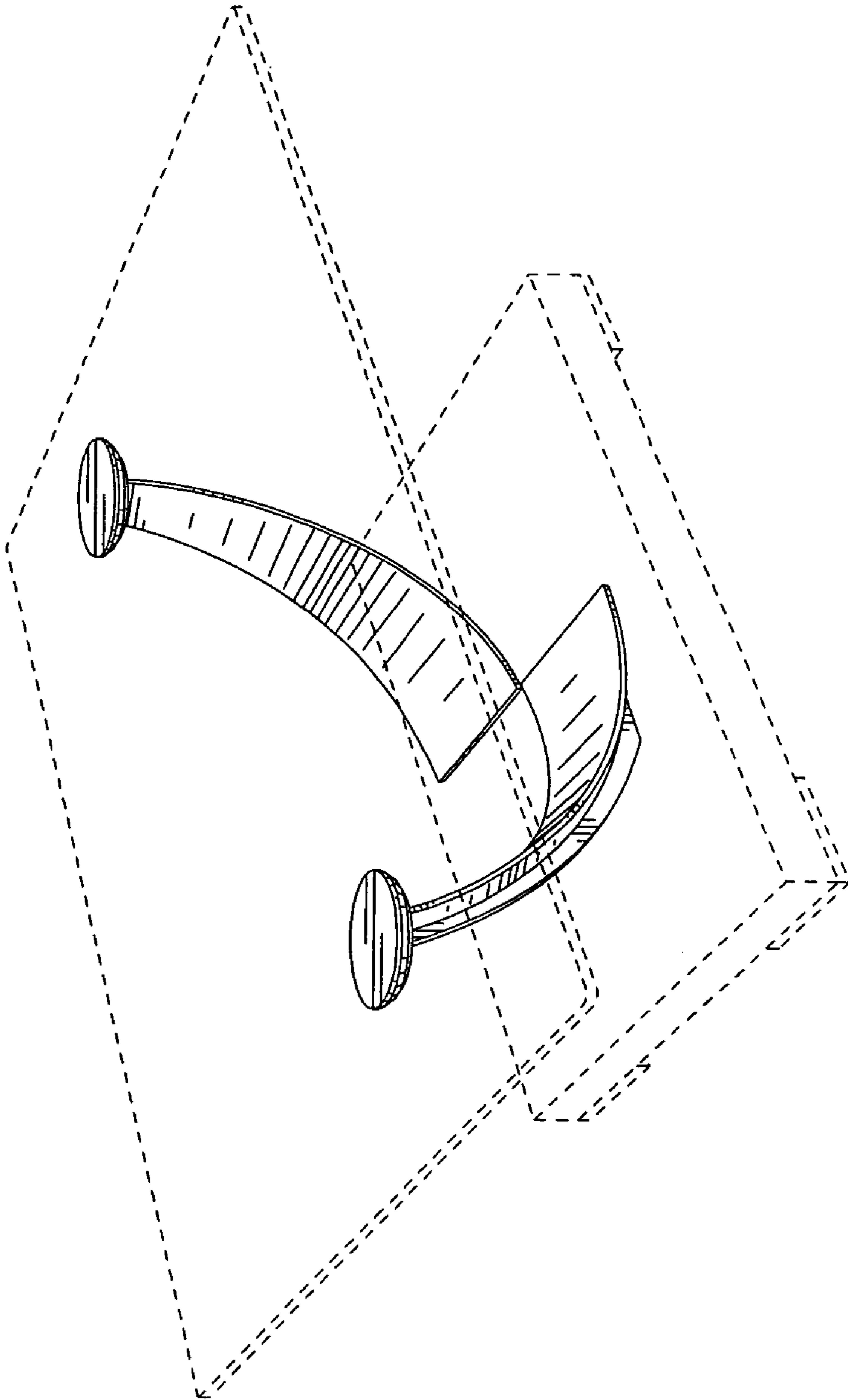


FIG. 5

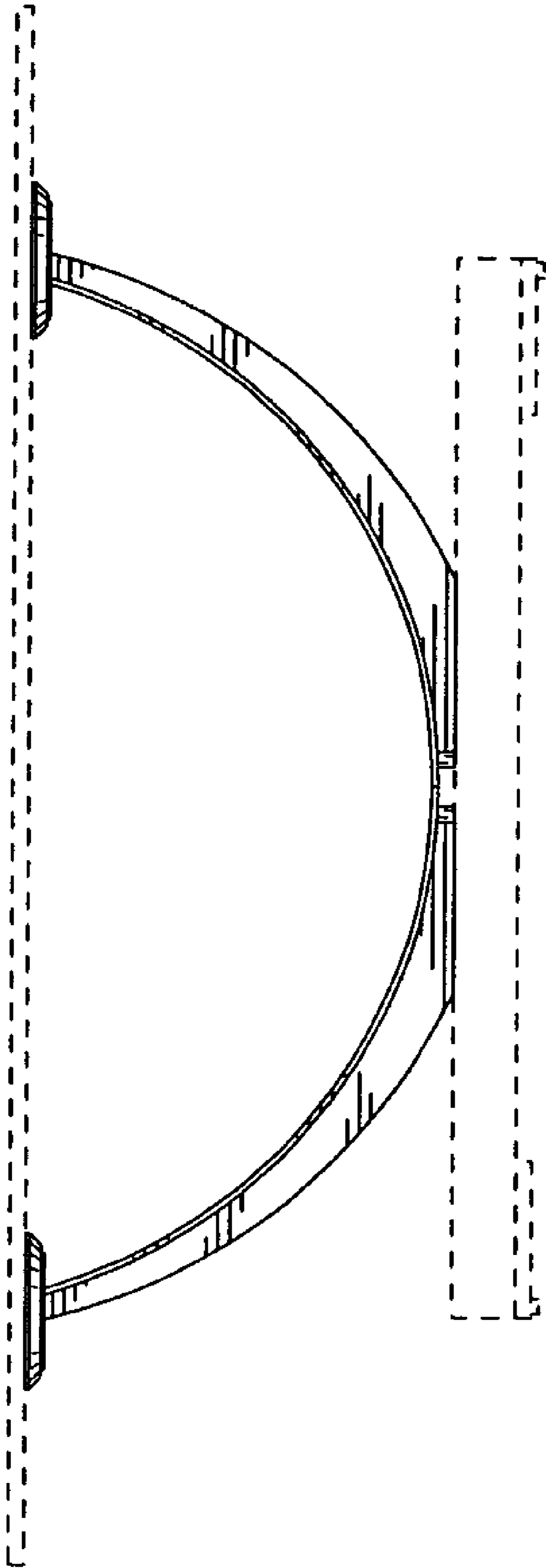


FIG. 6

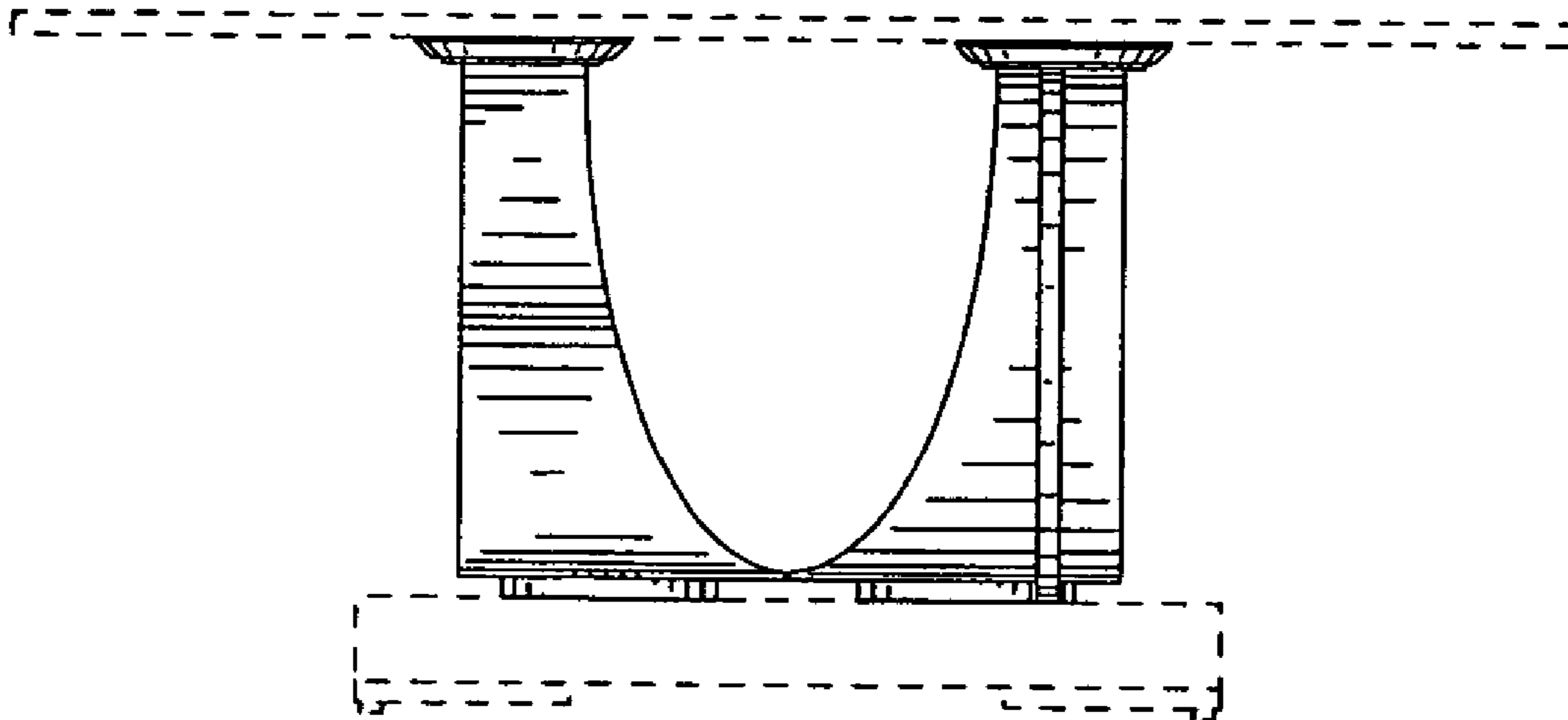


FIG. 7

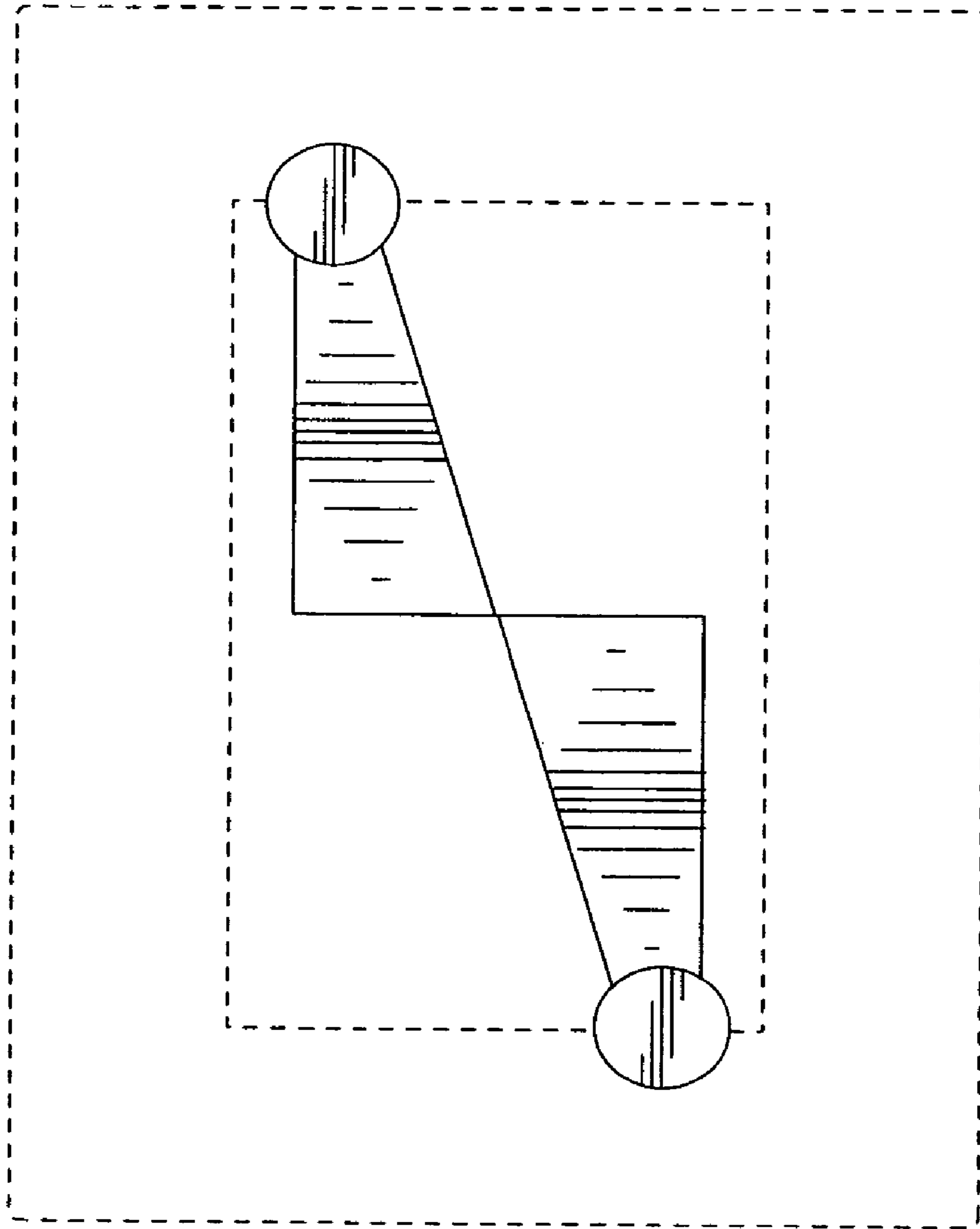


FIG. 8