



US00D545086S

(12) **United States Design Patent**  
**Turco-Rivas et al.**

(10) **Patent No.:** **US D545,086 S**  
(45) **Date of Patent:** **\*\* Jun. 26, 2007**

(54) **PLAY TABLE**

D507,708 S \* 7/2005 Jannetides ..... D6/383  
D511,916 S \* 11/2005 Shapiro ..... D6/511

(75) Inventors: **Antonio Turco-Rivas**, Wellesley, MA (US); **Joseph B. Schneider**, Waltham, MA (US)

\* cited by examiner

*Primary Examiner*—Janice E. Seeger

(73) Assignee: **P'Kolino, LLC**, Woburn, MA (US)

(74) *Attorney, Agent, or Firm*—Mark S. Leonardo; Brown Rudnick Berlack Israels LLP

(\*\*) Term: **14 Years**

(57) **CLAIM**

(21) Appl. No.: **29/245,532**

The ornamental design for a play table, as shown.

(22) Filed: **Dec. 23, 2005**

**DESCRIPTION**

(51) **LOC (8) Cl.** ..... **06-03**

(52) **U.S. Cl.** ..... **D6/485; D6/423; D6/383**

(58) **Field of Classification Search** ..... D6/480–489,  
D6/495–499, 511, 429–431, 422, 423, 383;  
108/150, 155, 153.1, 156, 157.1, 161; 248/188,  
248/188.1, 188.8

FIG. 1 illustrates a perspective view of a play table employing an ornamental design in accordance with the present disclosure;

See application file for complete search history.

FIG. 2 illustrates a top plan view of the play table of FIG. 1;

(56) **References Cited**

**U.S. PATENT DOCUMENTS**

D225,046 S \* 11/1972 Nance ..... D6/423  
D278,770 S \* 5/1985 Koguma ..... D6/423  
D332,954 S \* 2/1993 Sanvito ..... D15/66  
6,659,023 B2 \* 12/2003 Saltzman et al. .... 108/161

FIG. 3 is a bottom plan view of the play table of FIG. 1;

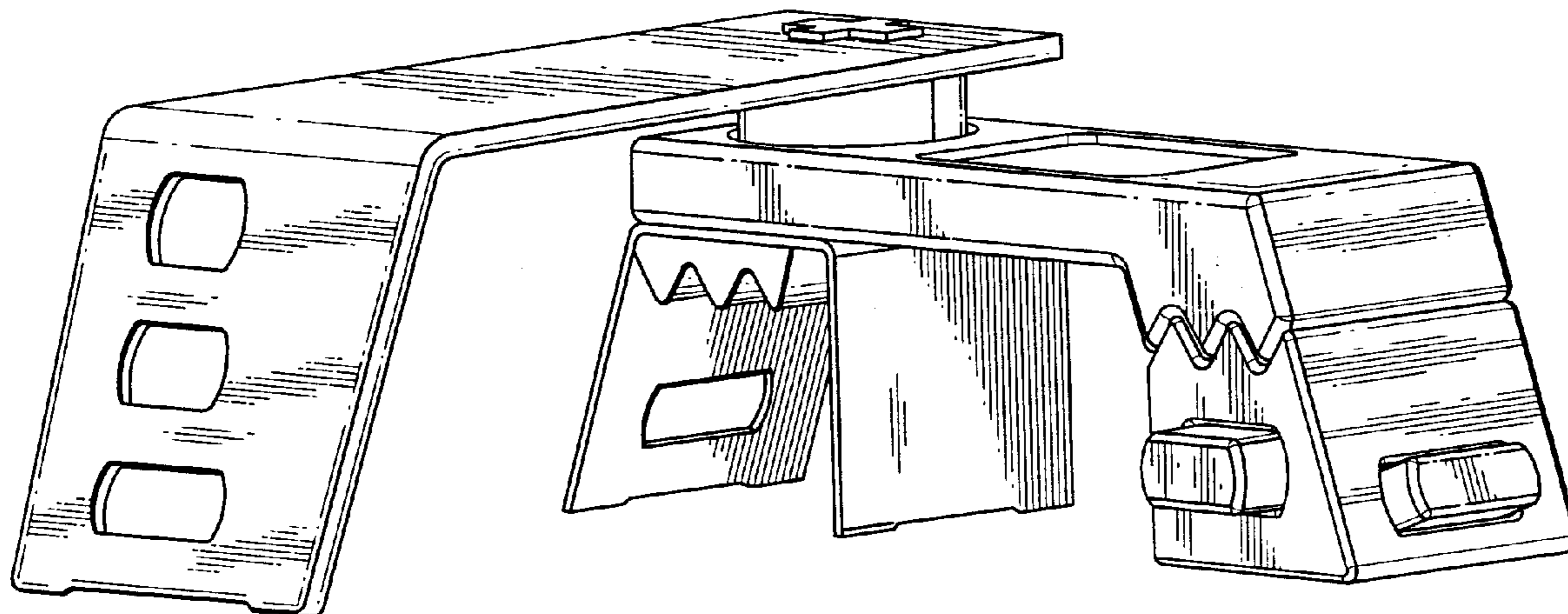
FIG. 4 is a front plan view of the play table of FIG. 1;

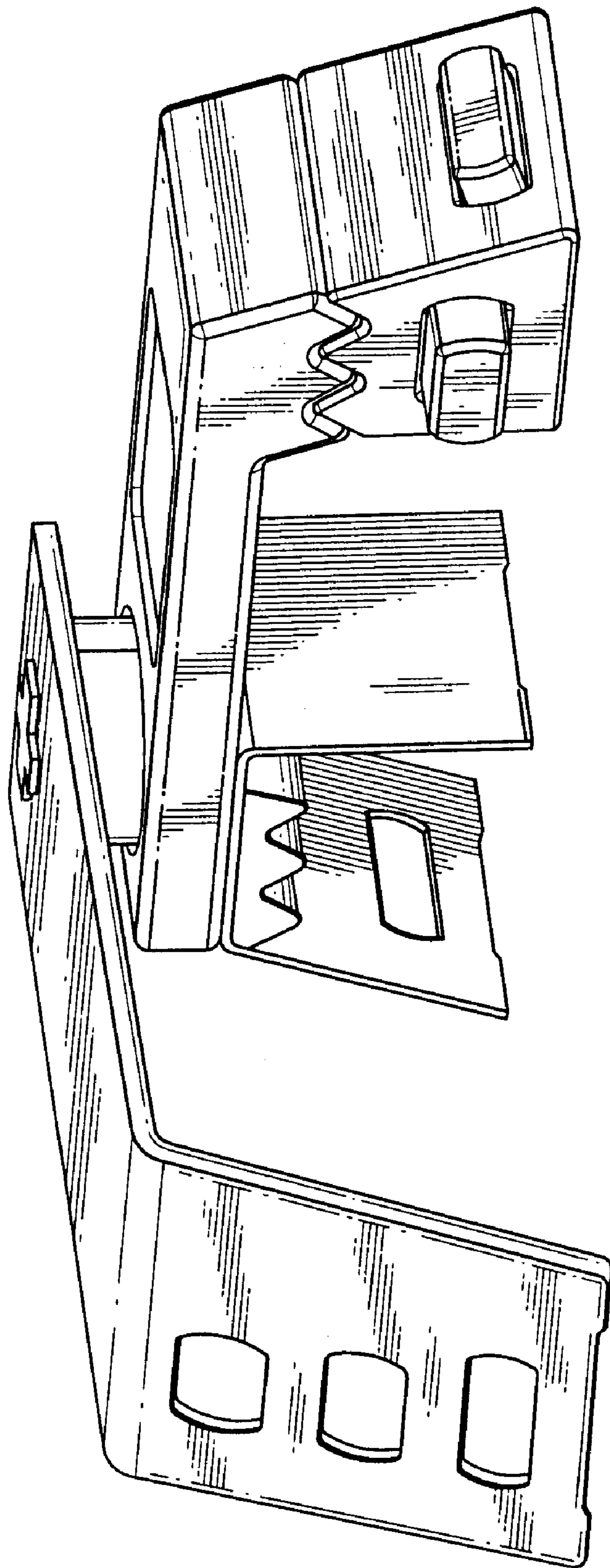
FIG. 5 is a back plan view of the play table of FIG. 1.

FIG. 6 is a side plan view of the play table of FIG. 1; and,

FIG. 7 is a side plan view of the play table of FIG. 1.

**1 Claim, 7 Drawing Sheets**





**FIG. 1**

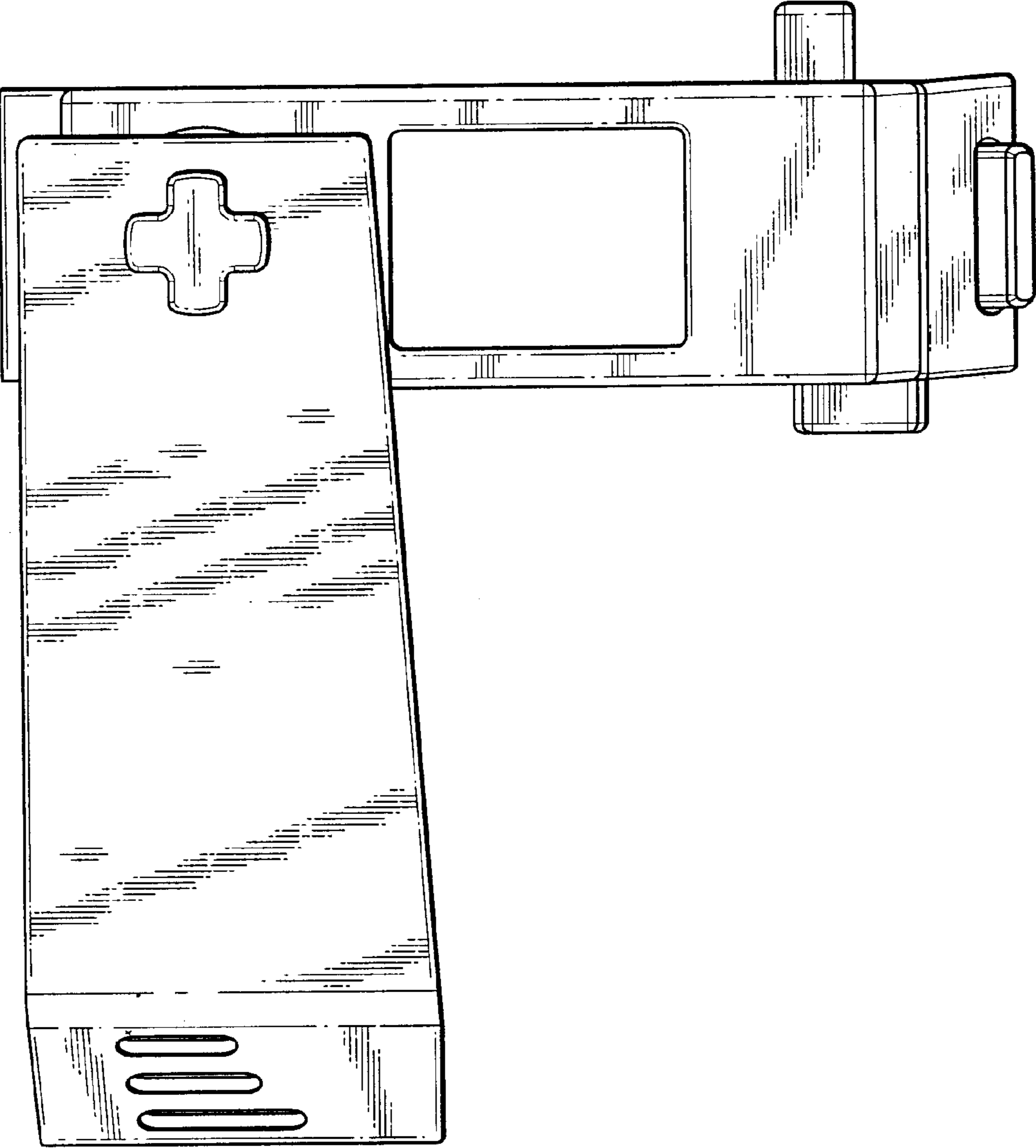


FIG. 2

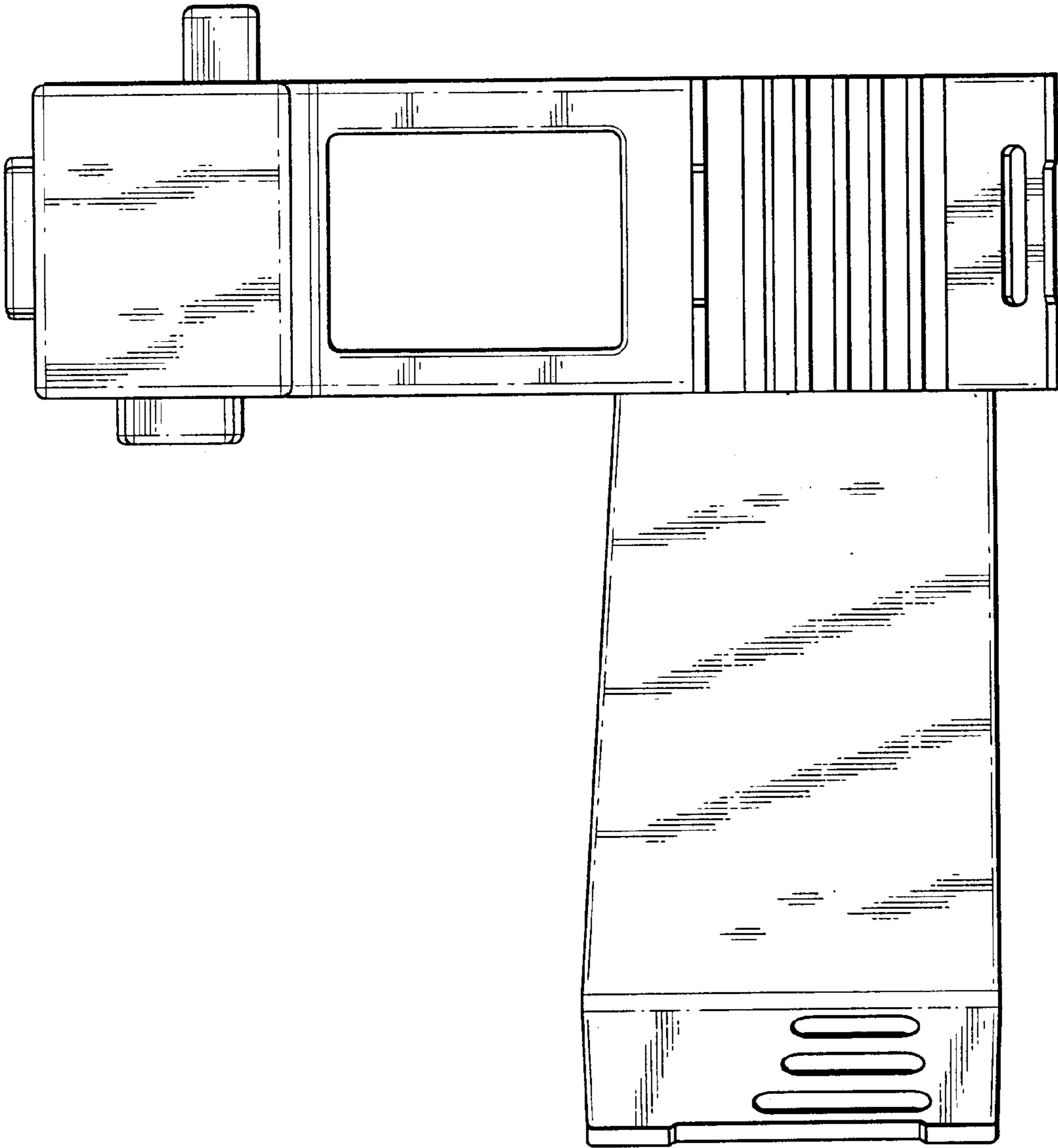
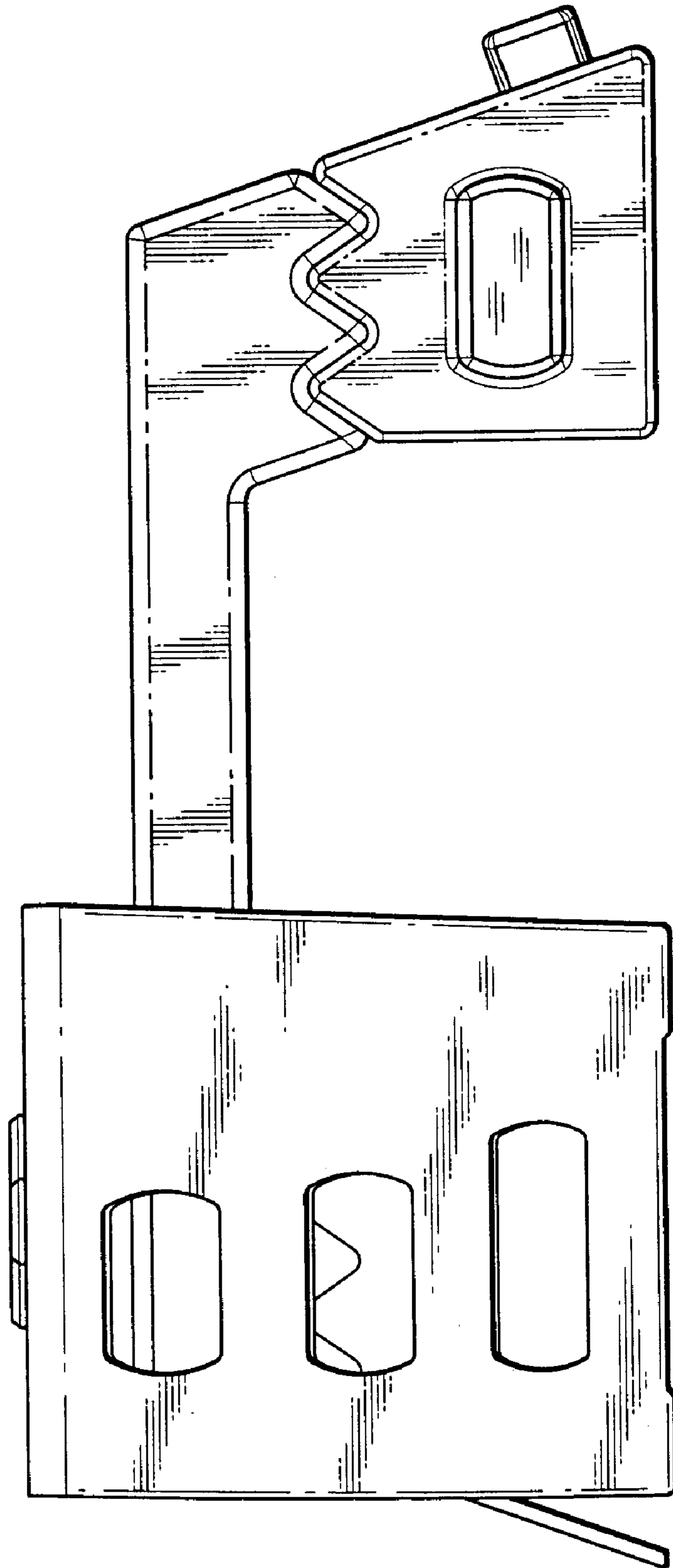
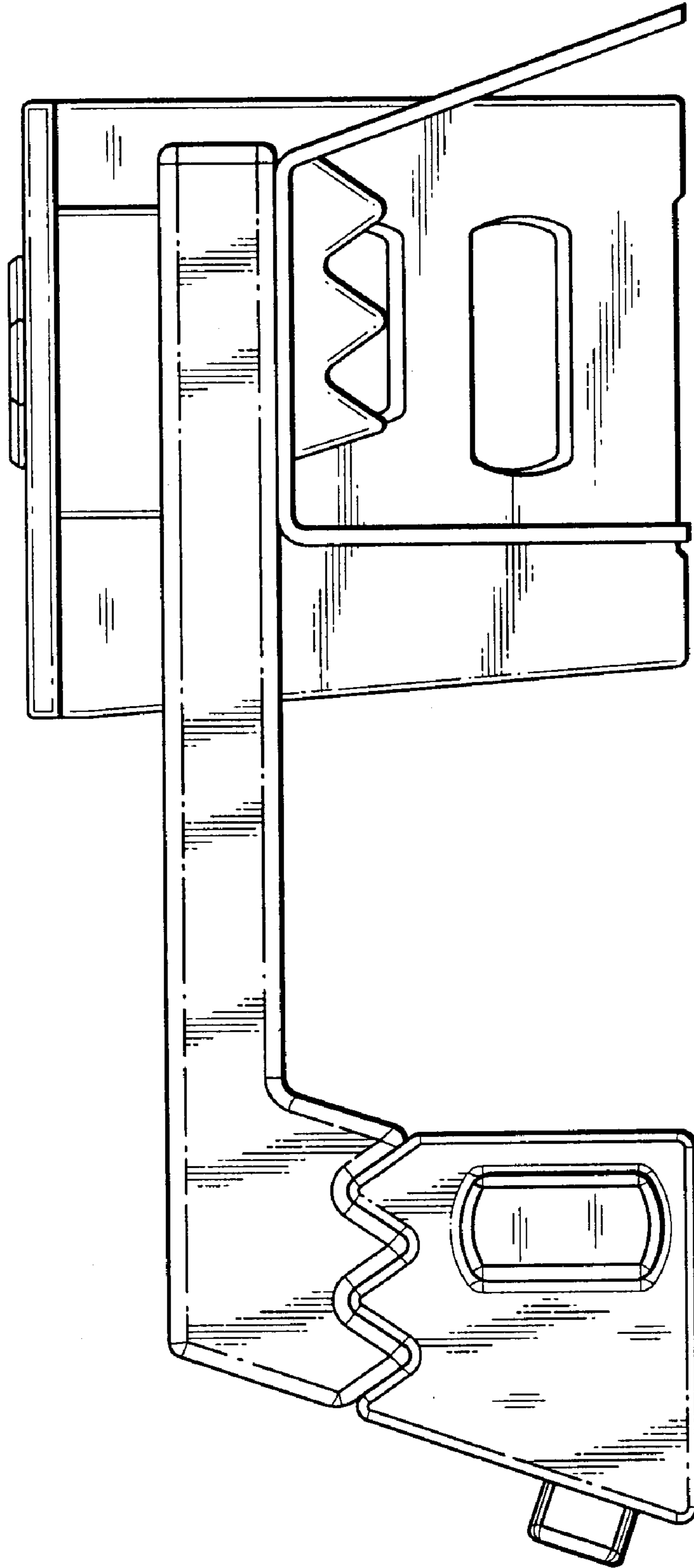


FIG. 3



**FIG. 4**



**FIG. 5**

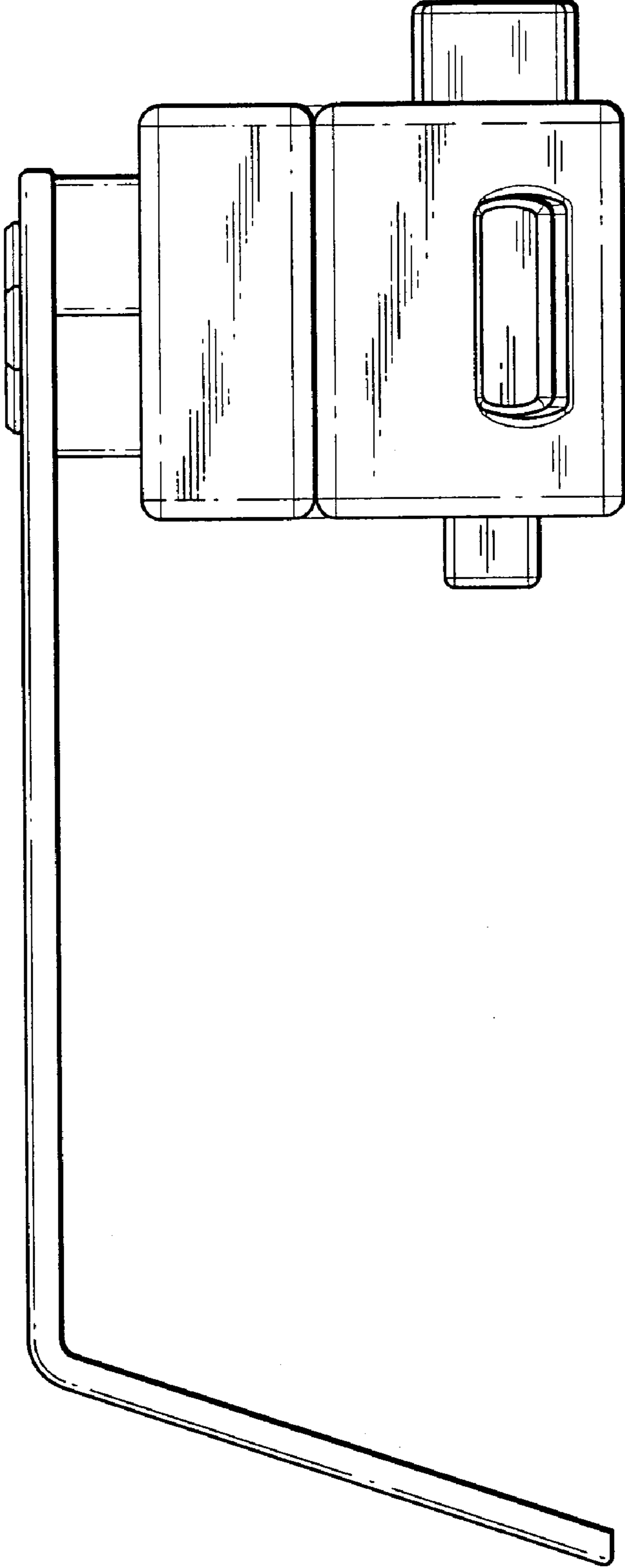
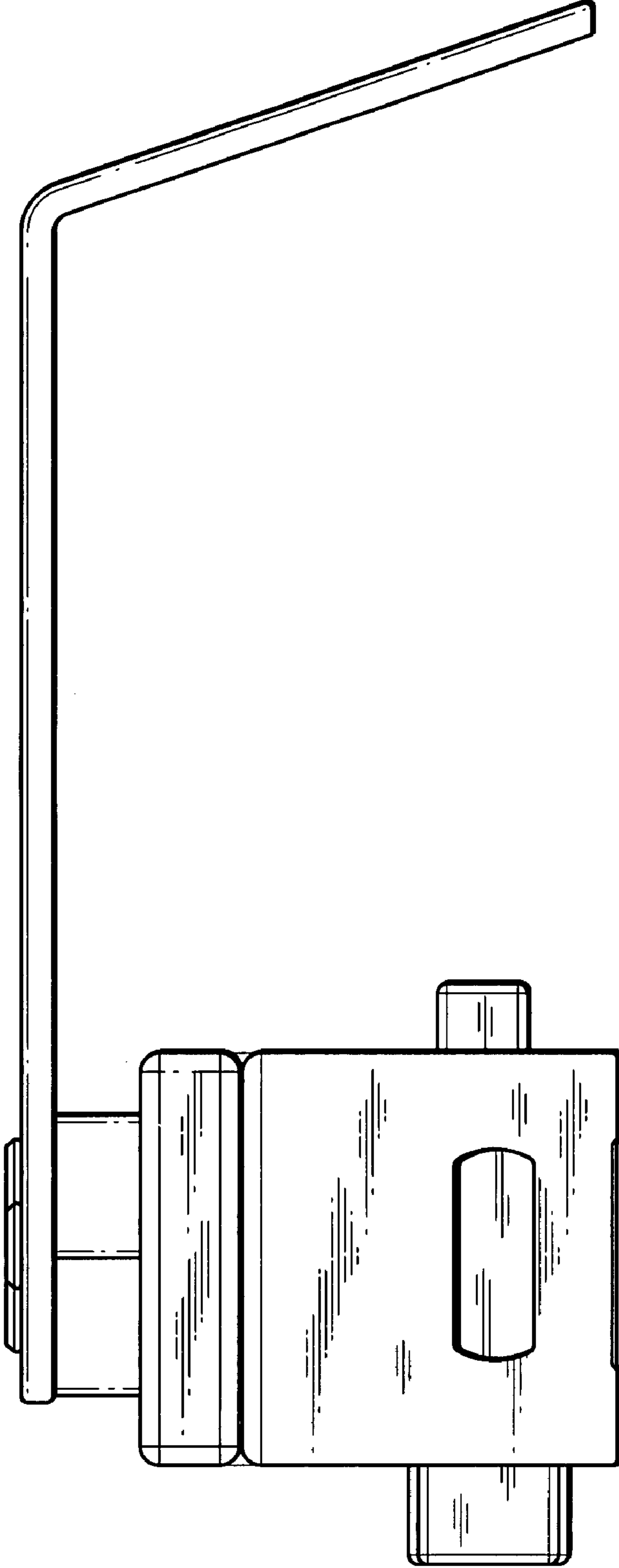


FIG. 6



**FIG. 7**