



US00D545084S

(12) **United States Design Patent**
Tracewell

(10) **Patent No.:** **US D545,084 S**

(45) **Date of Patent:** **** Jun. 26, 2007**

(54) **DESK FOR COMPUTER RELATED PRODUCTS**

(76) Inventor: **Larry L Tracewell**, 8653 Finlarig Dr.,
Dublin, OH (US) 43017

(**) Term: **14 Years**

(21) Appl. No.: **29/242,823**

(22) Filed: **Nov. 15, 2005**

(51) **LOC (8) Cl.** **06-03**

(52) **U.S. Cl.** **D6/480**

(58) **Field of Classification Search** D6/480-489,
D6/495-499, 511, 429-431, 422, 426; 108/150,
108/155, 153.1, 156, 157.1, 161; 248/188,
248/188.1, 188.8; 106/50.01, 50.02
See application file for complete search history.

(56) **References Cited**

U.S. PATENT DOCUMENTS

D166,300 S *	4/1952	Curtis	D6/485
2,615,770 A *	10/1952	Curtis	108/155
D322,903 S *	1/1992	Edwards	D6/495
D344,198 S *	2/1994	Weinberger	D6/428

* cited by examiner

Primary Examiner—Janice E. Seeger

(74) *Attorney, Agent, or Firm*—Mueller Smith & Matto

(57) **CLAIM**

The ornamental design for a desk for computer related products, as shown.

DESCRIPTION

FIG. 1 is a perspective view of a desk for computer related products;

FIG. 2 is a front elevational view of the desk for computer related products of FIG. 1;

FIG. 3 is a top view of the desk for computer related products of FIG. 1;

FIG. 4 is a left side view of the desk for computer related products of FIG. 1;

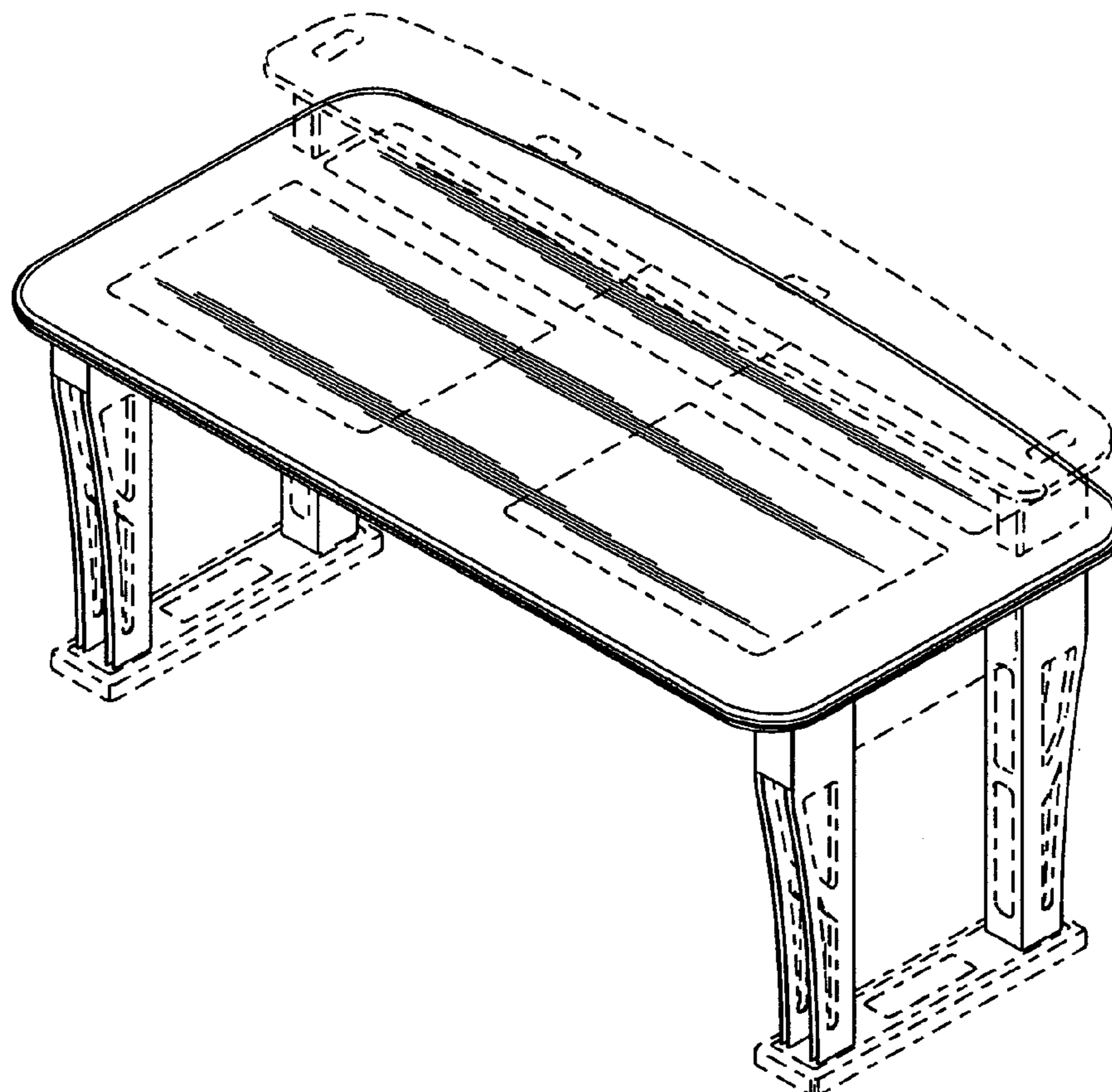
FIG. 5 is a right side view of the desk for computer related products of FIG. 1;

FIG. 6 is a rear elevational view of the desk for computer related products of FIG. 1; and,

FIG. 7 is bottom view of the desk for computer related products of FIG. 1.

The broken lines are for environmental purposes only and form no part of the claimed design.

1 Claim, 3 Drawing Sheets



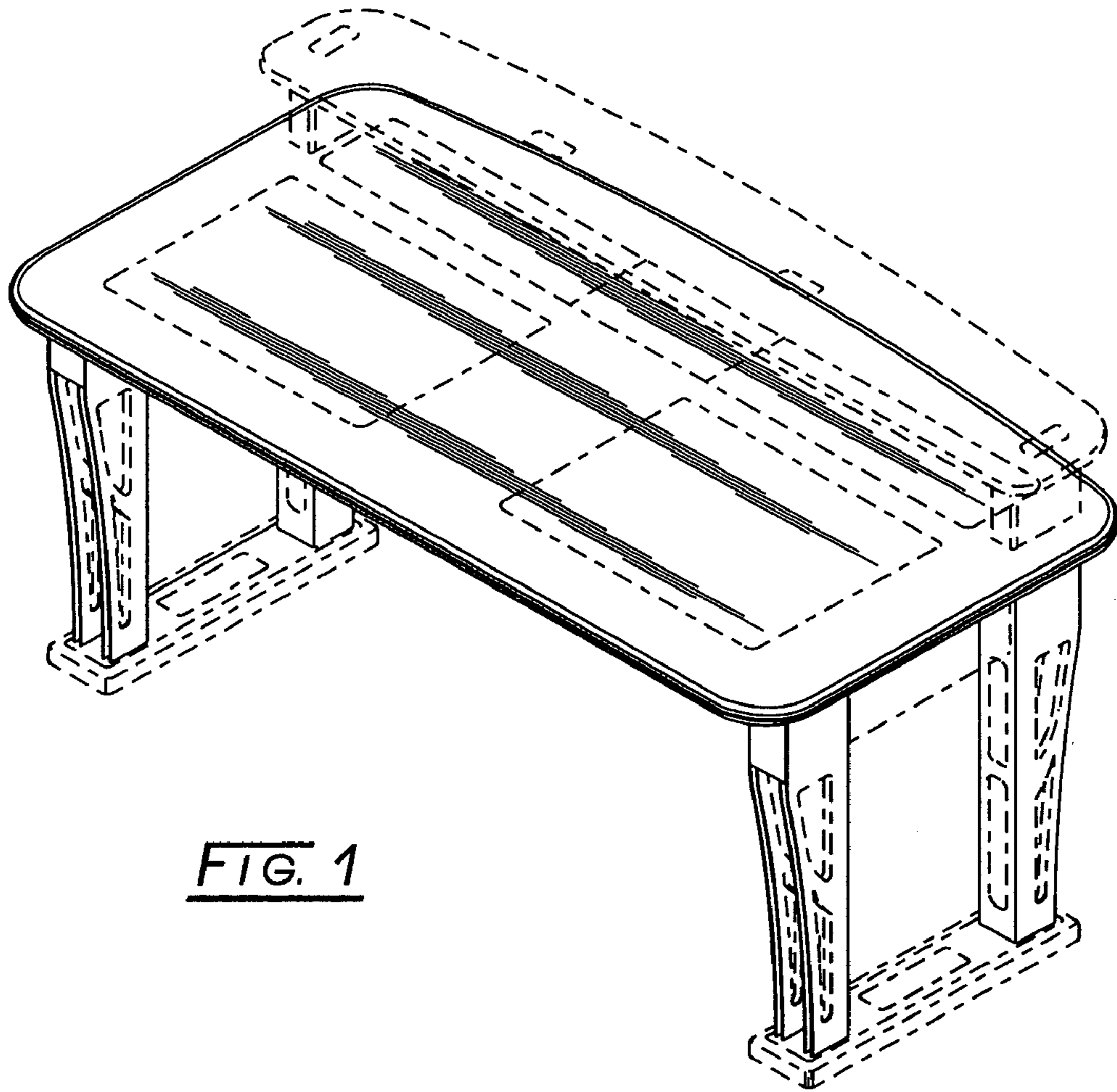


FIG. 1

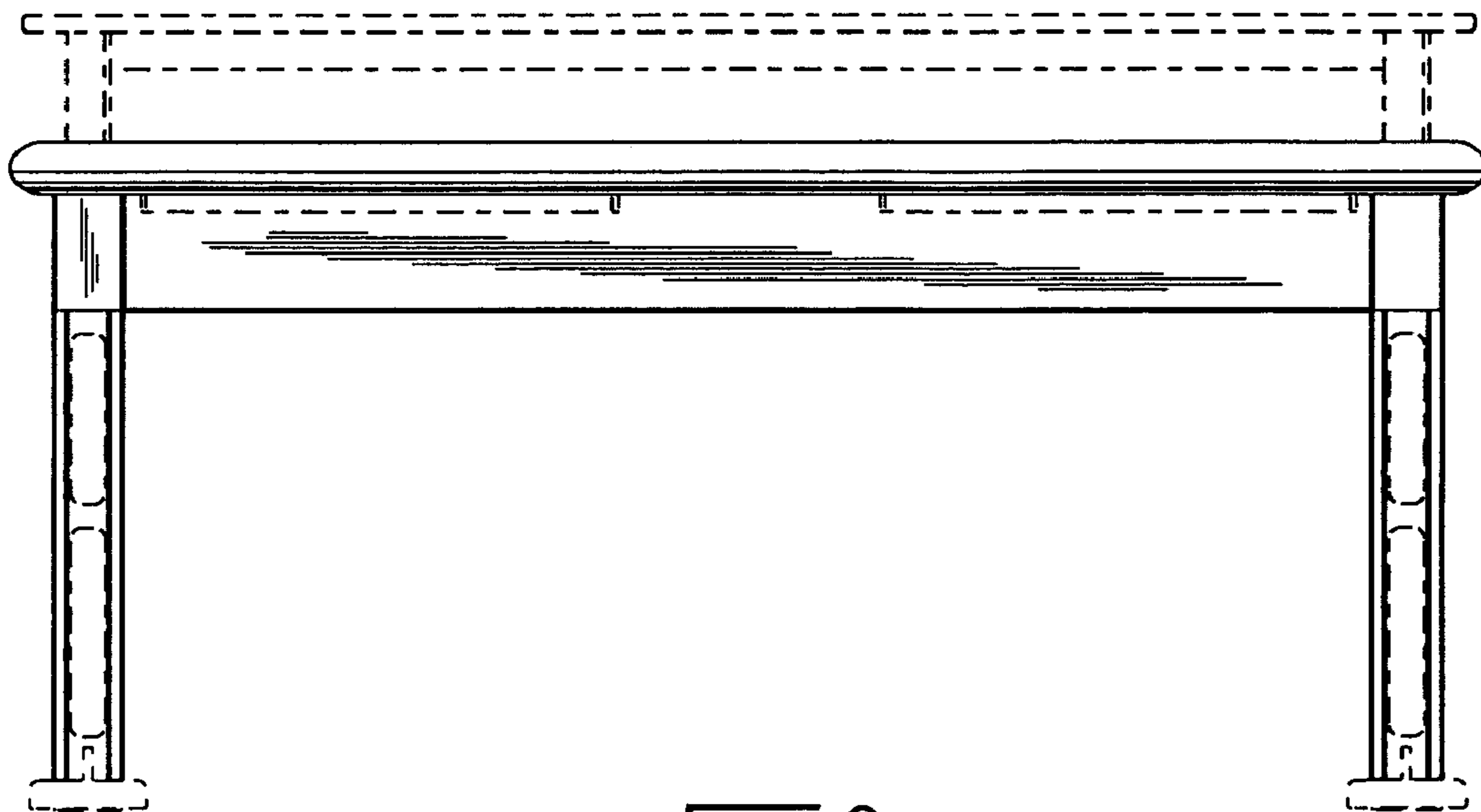


FIG. 2

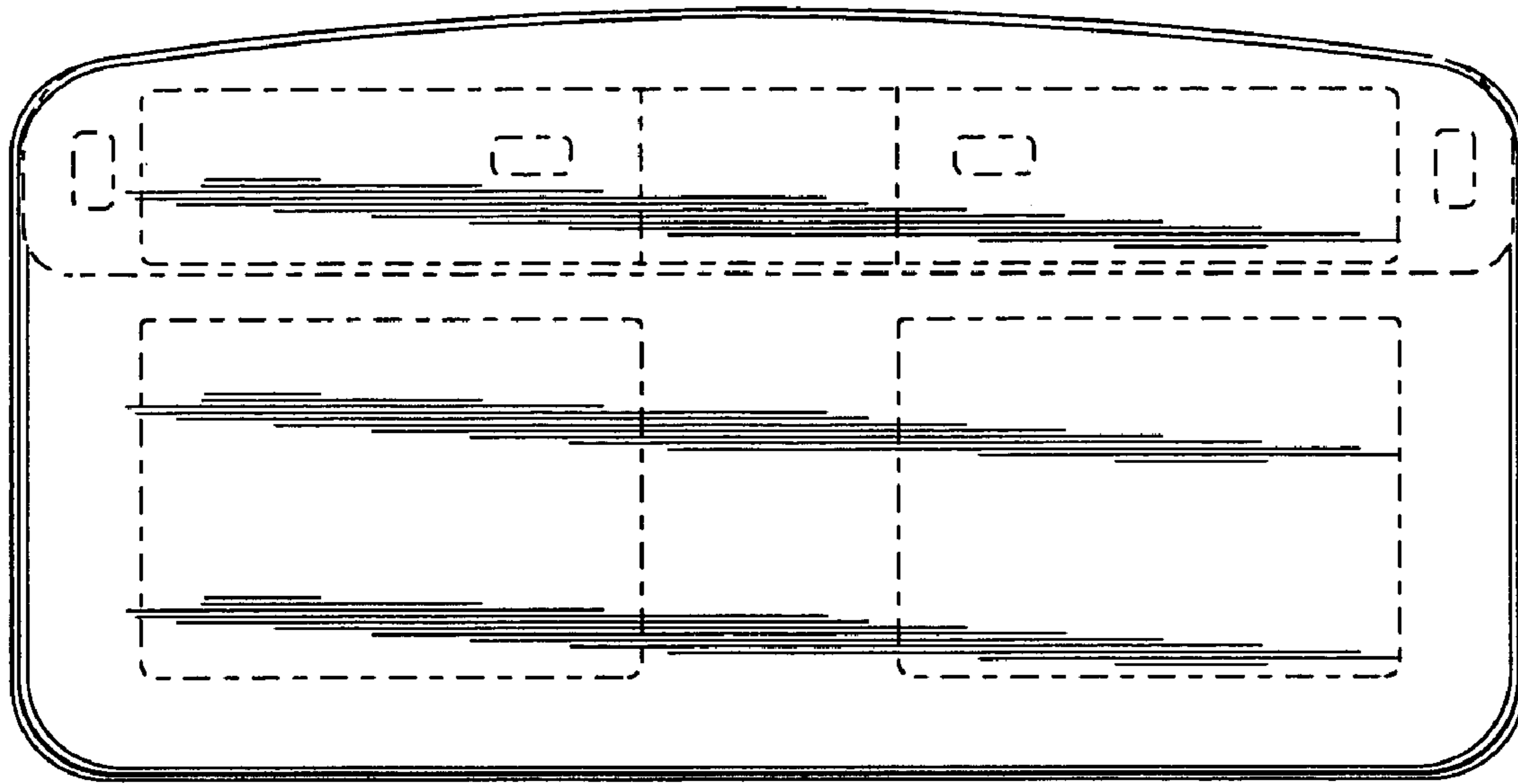


FIG. 3

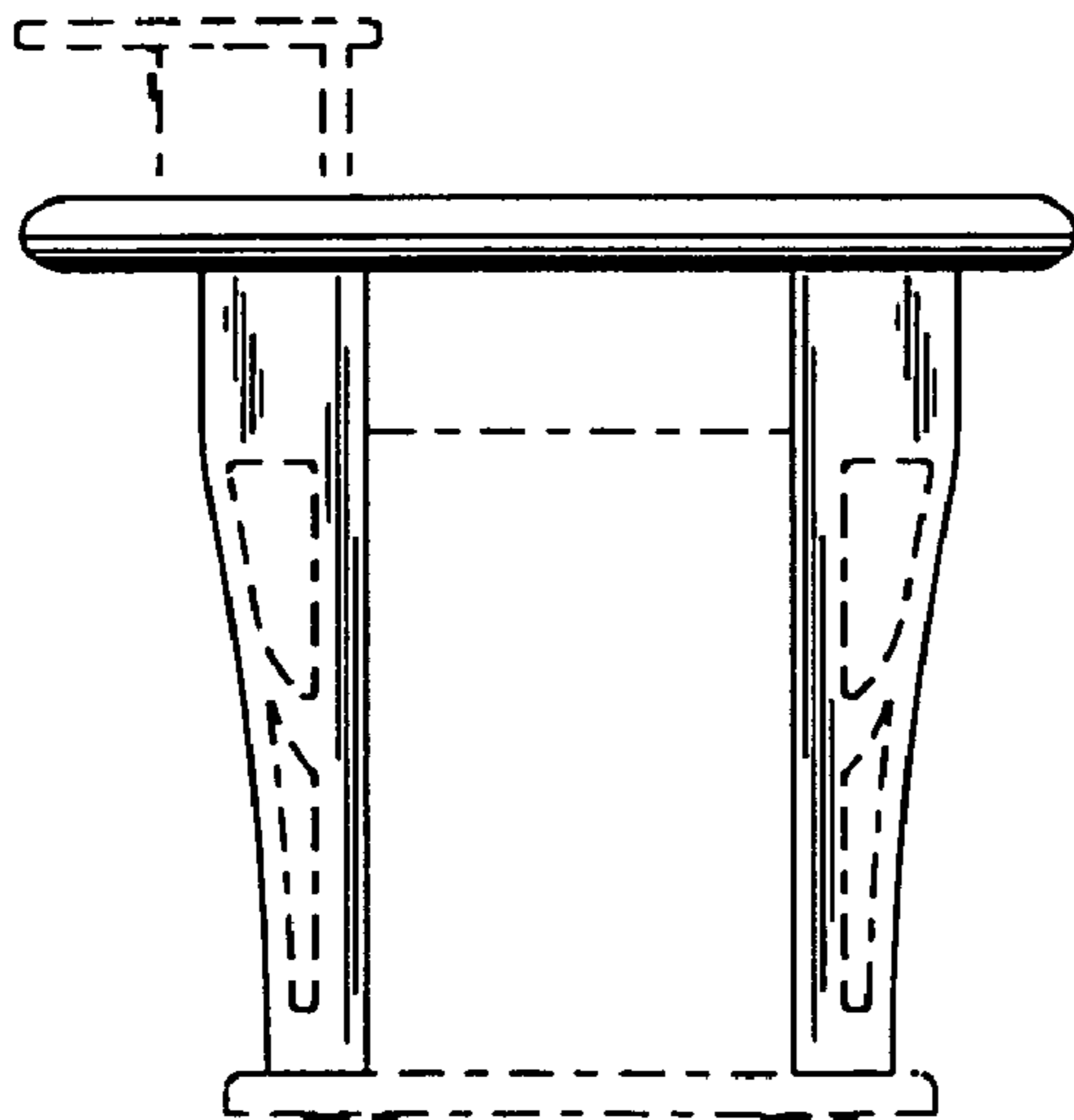


FIG. 4

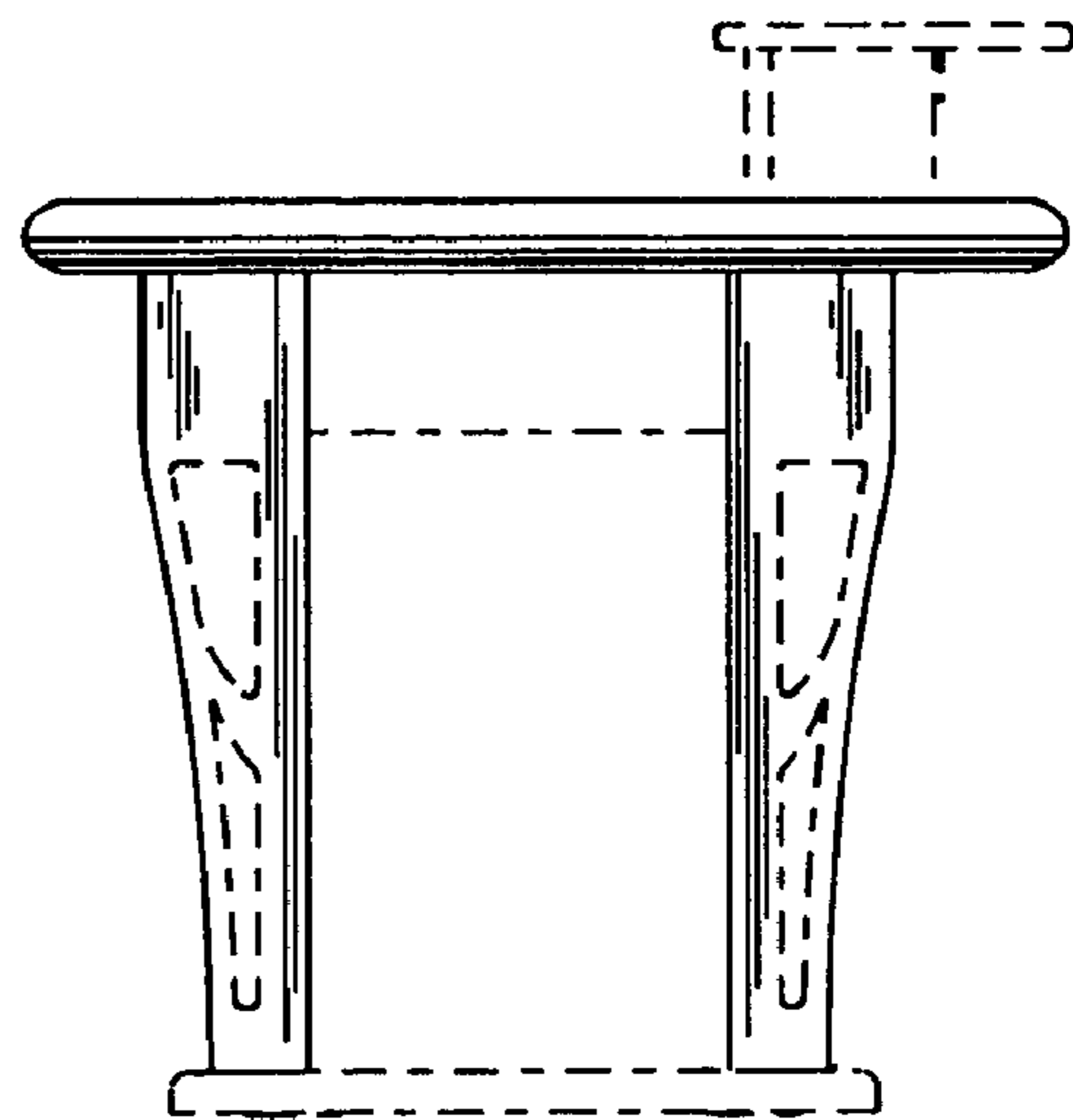


FIG. 5

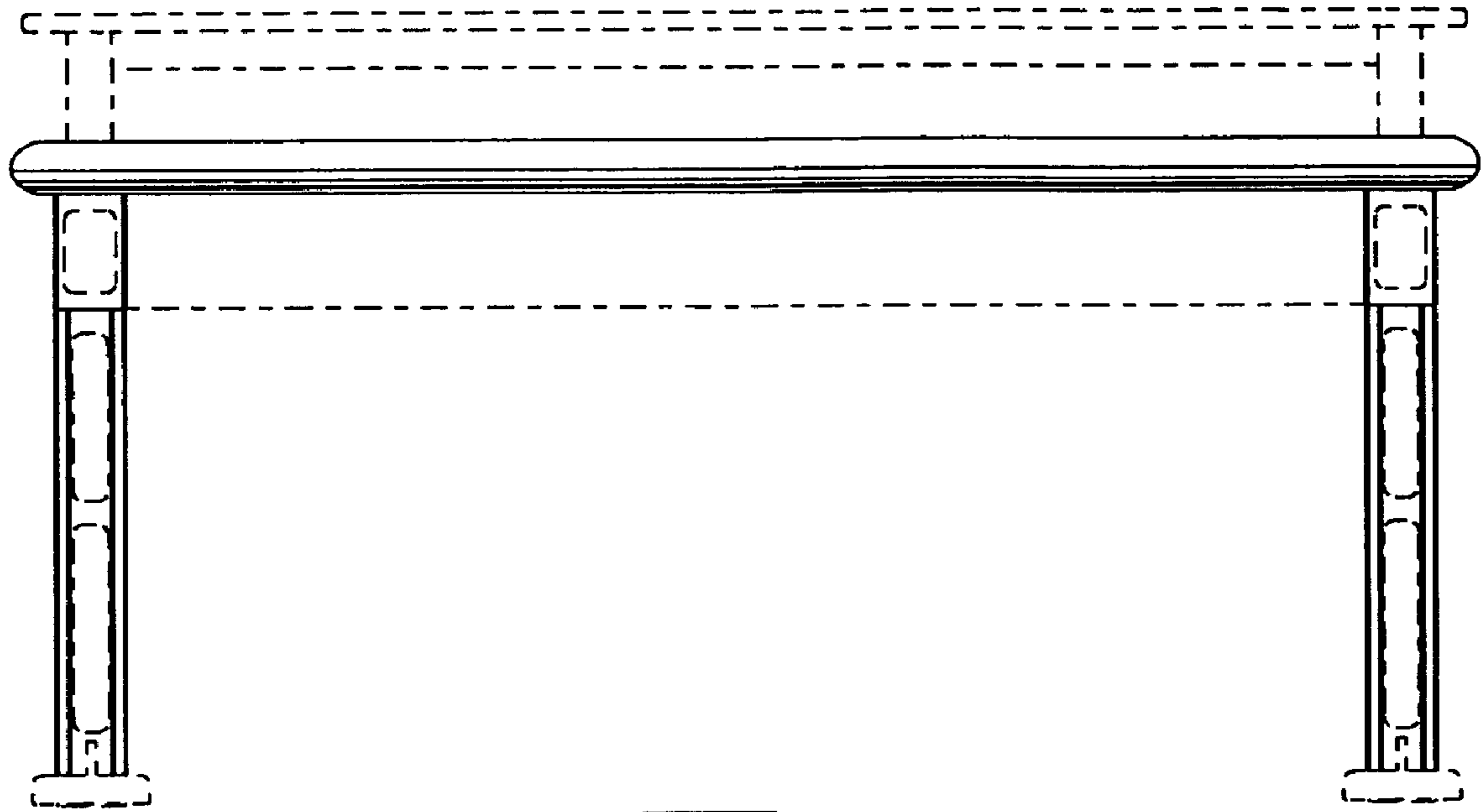


FIG. 6

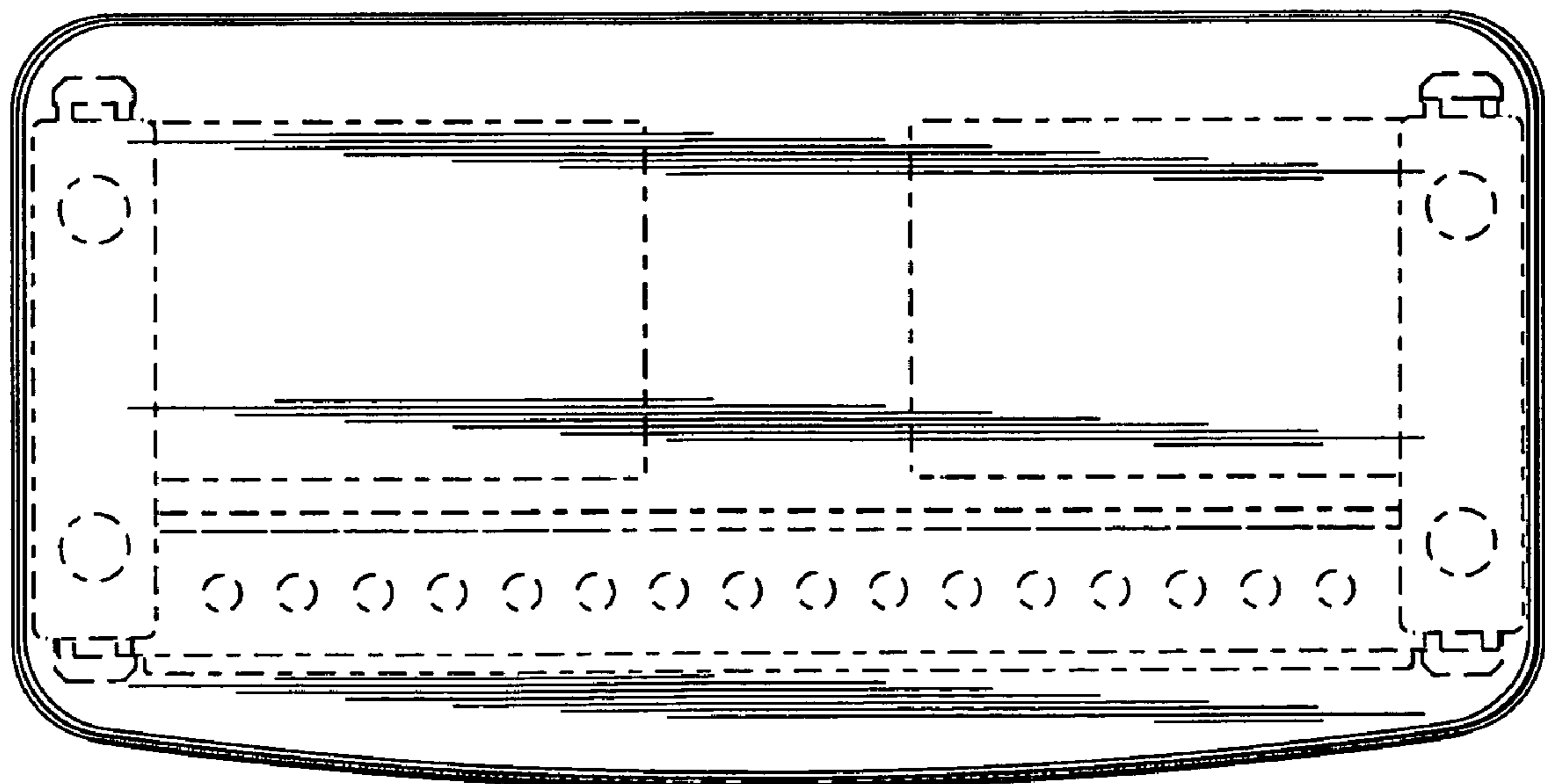


FIG. 7