

US00D545082S

(12) **United States Design Patent**
Shaw

(10) **Patent No.:** **US D545,082 S**

(45) **Date of Patent:** **** Jun. 26, 2007**

(54) **PORTABLE KNEELING ALTAR**

5,882,095 A * 3/1999 Green 312/33

(76) Inventor: **Charlotte Shaw**, 3530 Hamlin Sq.,
Atlanta, GA (US) 30331

* cited by examiner

Primary Examiner—Cathron C. Brooks
Assistant Examiner—Kelley A. Donnelly
(74) *Attorney, Agent, or Firm*—Rodgers & Rodgers

(**) Term: **14 Years**

(21) Appl. No.: **29/265,962**

(57) **CLAIM**

(22) Filed: **Sep. 13, 2006**

The ornamental design for a portable kneeling altar, as shown and described.

(51) **LOC (8) Cl.** **06-04**

(52) **U.S. Cl.** **D6/477**

(58) **Field of Classification Search** D6/451–452,
D6/474, 483, 477, 419; D11/122; 312/33,
312/235.3

DESCRIPTION

See application file for complete search history.

FIG. 1 is a perspective view of a portable kneeling altar showing my new design;

FIG. 2 is a front elevational view thereof;

FIG. 3 is a rear elevational view thereof;

FIG. 4 is a top plan view thereof;

FIG. 5 is a side elevational view thereof, the opposite side being the same in appearance; and,

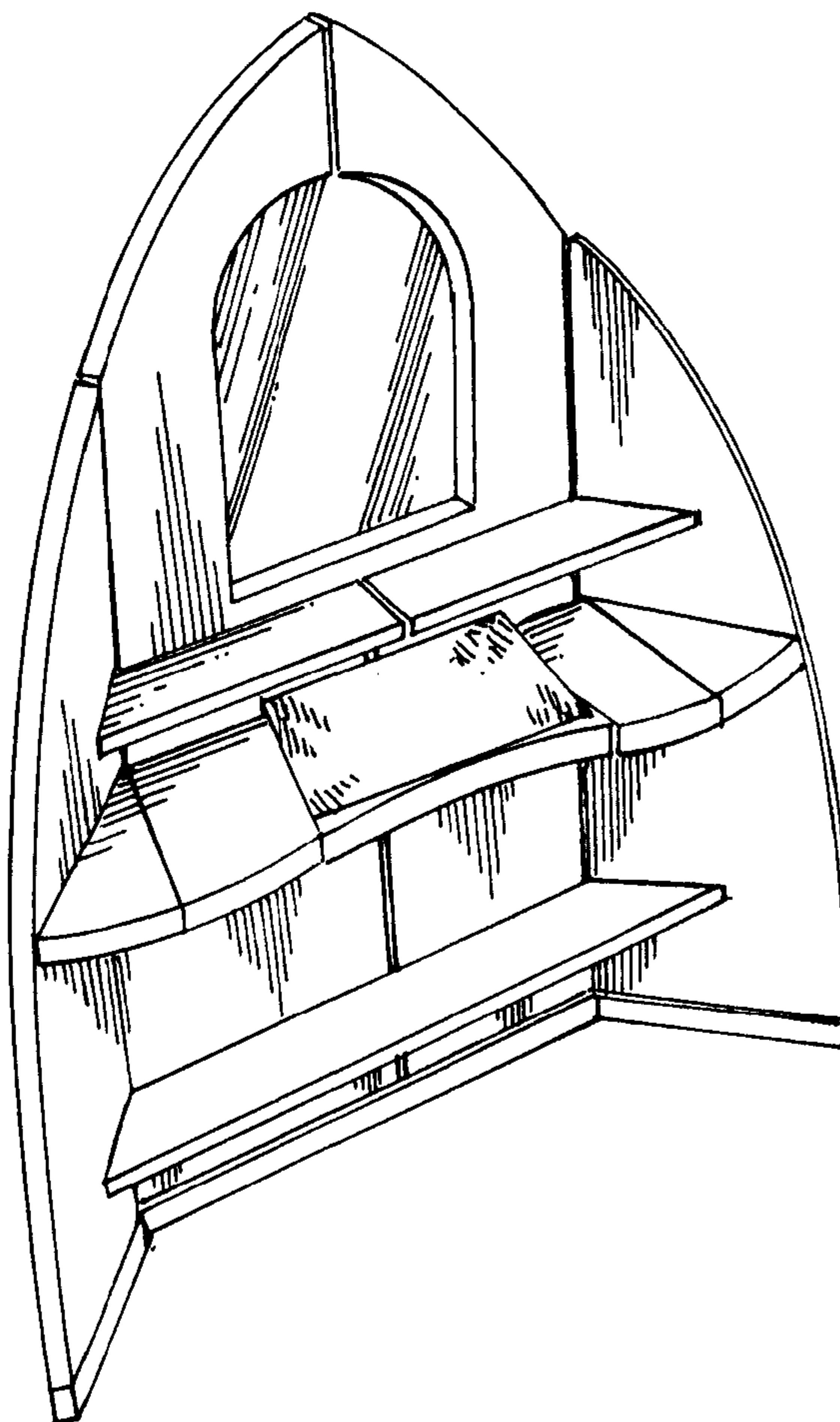
FIG. 6 is a bottom plan view thereof.

(56) **References Cited**

U.S. PATENT DOCUMENTS

2,101,259	A	*	12/1937	Landau	297/187
D117,808	S	*	11/1939	Gudell	D6/452
D151,041	S	*	9/1948	Gudell	D6/451
D172,074	S	*	5/1954	Baker	D6/330
D290,915	S	*	7/1987	Hoover	D6/477

1 Claim, 3 Drawing Sheets



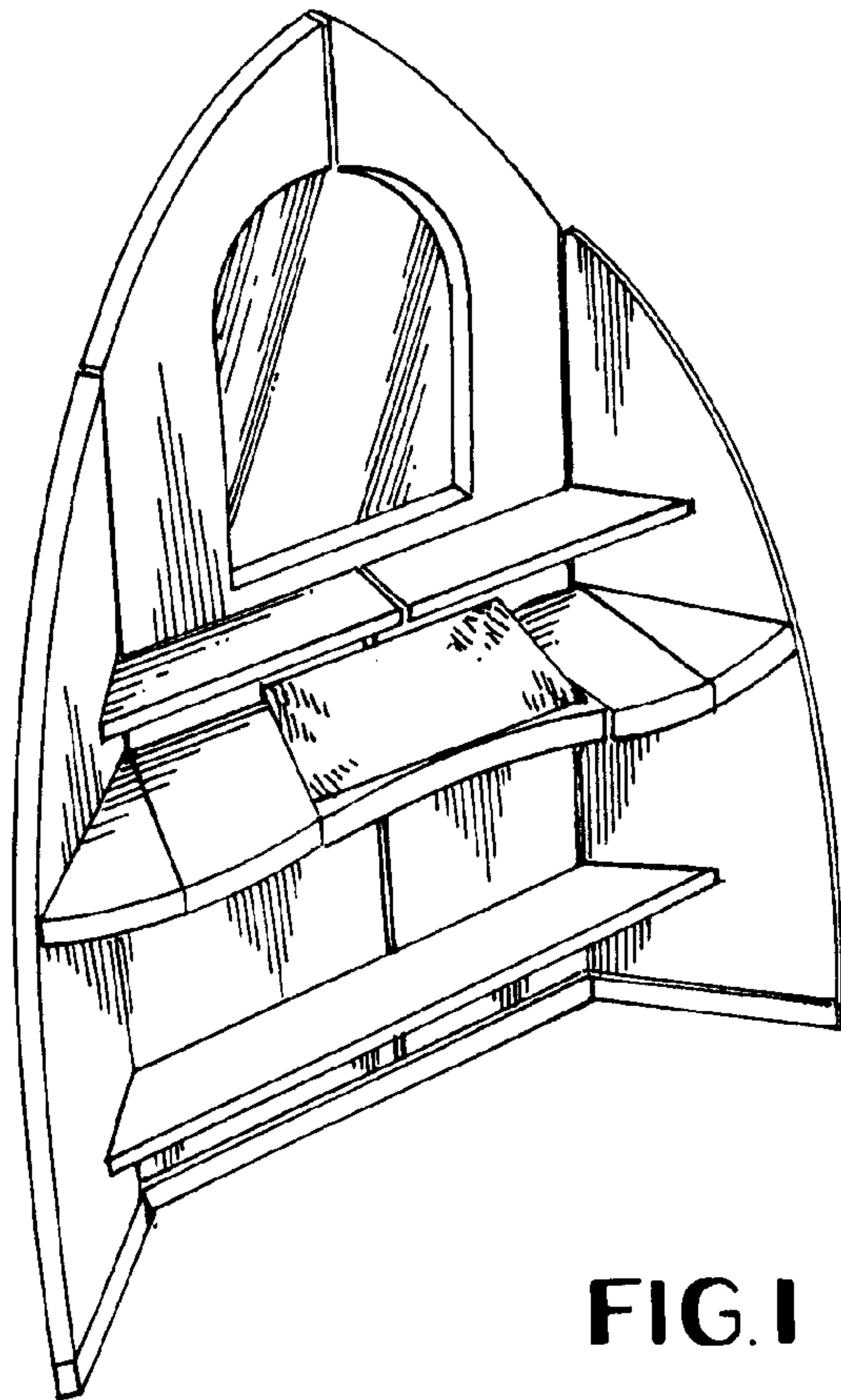


FIG. 1

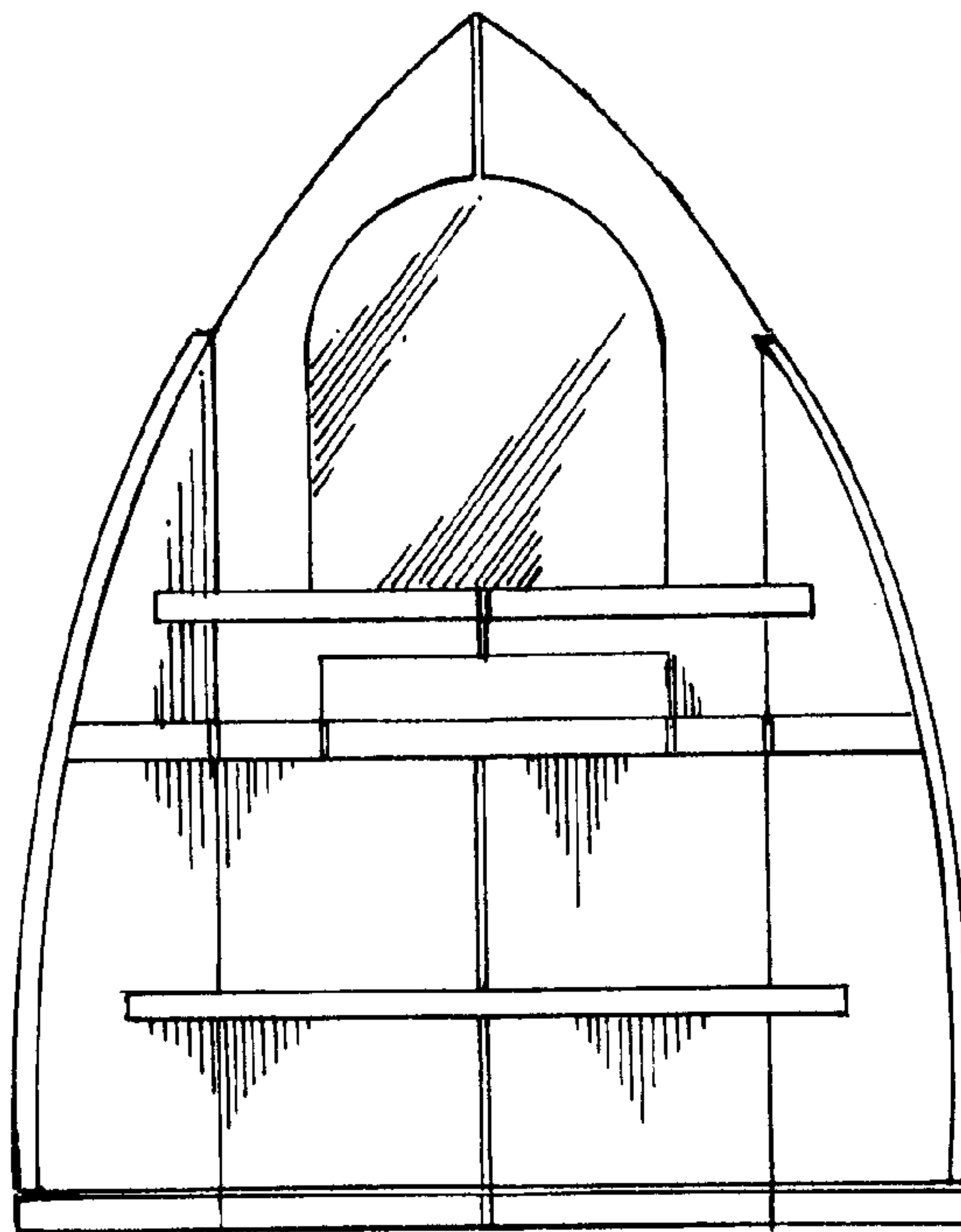


FIG. 2

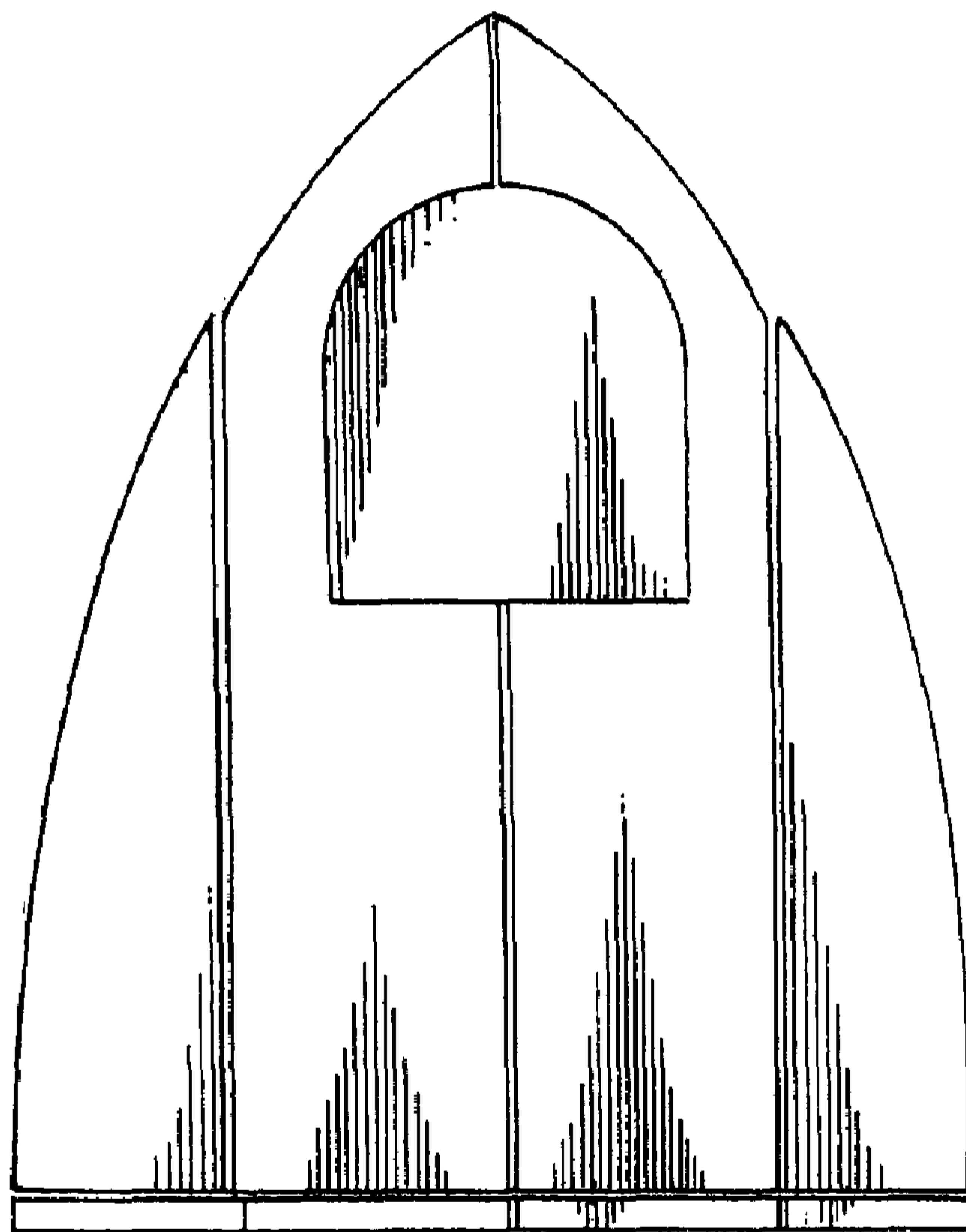


FIG. 3

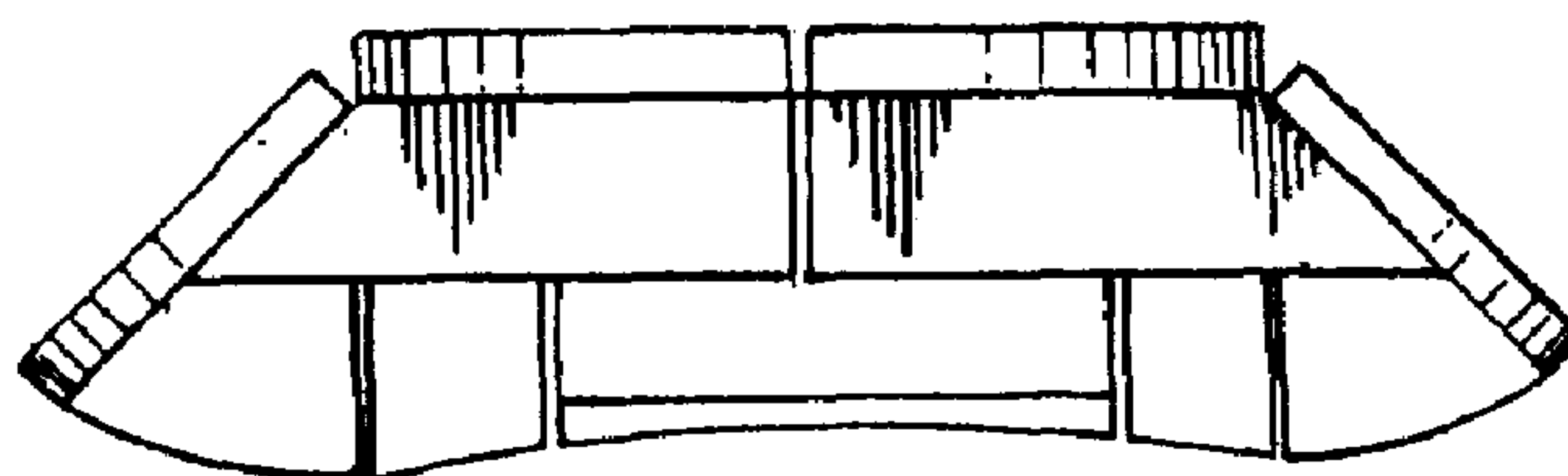


FIG. 4

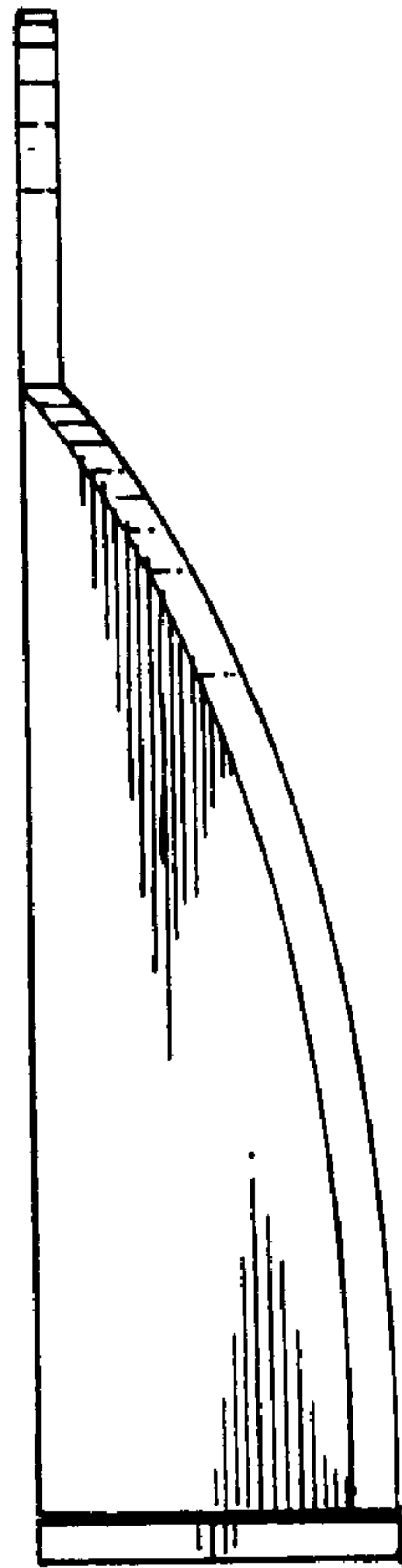


FIG. 5

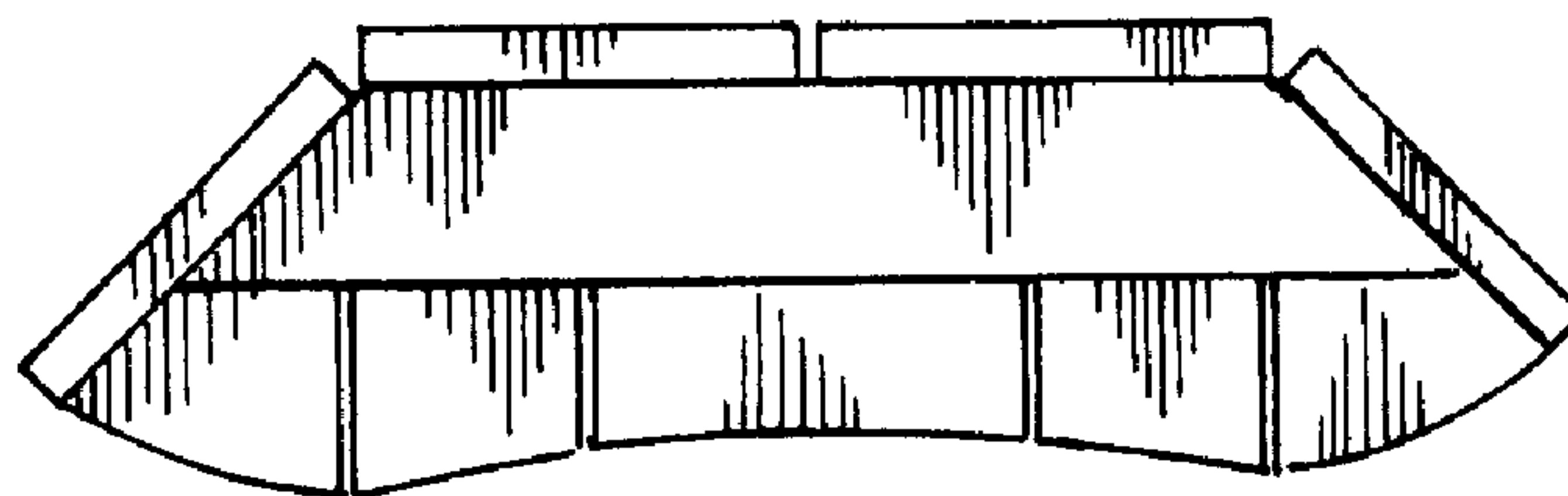


FIG. 6