

US00D545081S

(12) **United States Design Patent**
Lara

(10) **Patent No.:** **US D545,081 S**
(45) **Date of Patent:** **** Jun. 26, 2007**

(54) **PIVOTABLE STAND FOR AN LCD SCREEN**

(75) Inventor: **Louis A. Lara**, Wellington, FL (US)

(73) Assignee: **Becker Designed, Inc.**, Chantilly, VA (US)

(**) Term: **14 Years**

(21) Appl. No.: **29/221,683**

(22) Filed: **Jan. 21, 2005**

(51) **LOC (8) Cl.** **06-04**

(52) **U.S. Cl.** **D6/466**

(58) **Field of Classification Search** D6/460,
D6/461, 468, 466, 474, 407, 469, 511, 477-479;
108/59, 91, 92, 96; 211/40, 41.12, 42, 49.1,
211/50, 85.2, 187, 190, 90.04, 119.003, 134.153,
211/87.01, 71.01; 206/307, 308.1; 312/9.1,
312/9.2, 9.46, 9.64, 9.8, 7.2; D28/73; D7/601
See application file for complete search history.

(56) **References Cited**

U.S. PATENT DOCUMENTS

- D300,790 S * 4/1989 Beckwith D7/601
- D367,782 S * 3/1996 Kazama D6/474
- D375,580 S * 11/1996 Giedd D28/73
- D381,123 S * 7/1997 Giedd D28/73

- D383,568 S * 9/1997 Giedd D28/73
- D408,172 S * 4/1999 Nobili D6/469
- D423,822 S 5/2000 Takemasa
- D459,118 S 6/2002 Antonioni
- D517,349 S * 3/2006 Lara D6/477

* cited by examiner

Primary Examiner—Janice E. Seeger
Assistant Examiner—Sydney R. Buffalow

(57) **CLAIM**

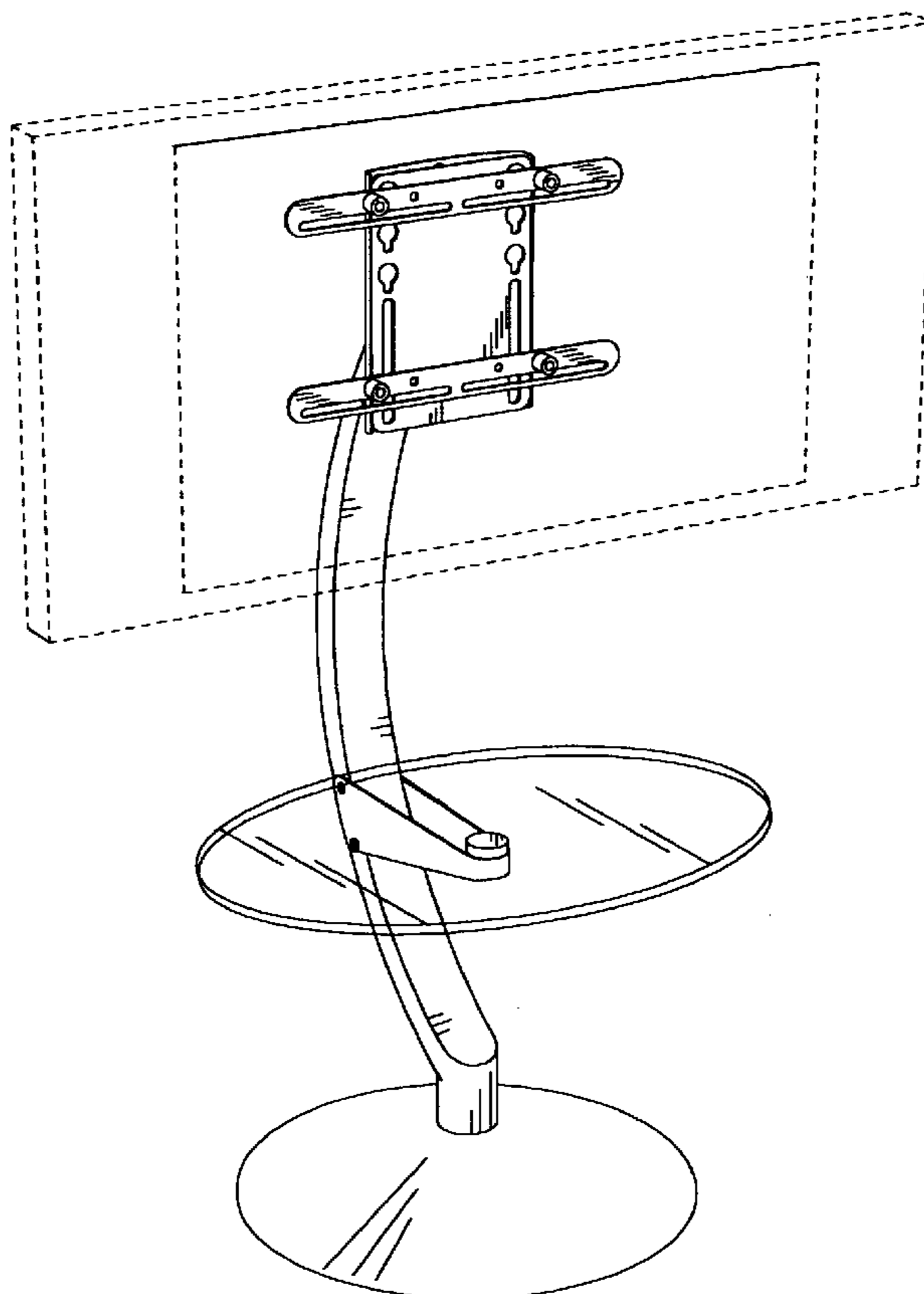
The ornamental design for pivotable stand for an LCD screen, as shown and described.

DESCRIPTION

FIG. 1 is a perspective view of my new design;
FIG. 2 is a front elevational view thereof;
FIG. 3 is a rear elevational view thereof;
FIG. 4 is a top view thereof;
FIG. 5 is a bottom view thereof; and,
FIG. 6 is a right side view thereof, the left side being a mirror image.

The broken lines are for the purpose of illustrating form no part of the claimed design.

1 Claim, 5 Drawing Sheets



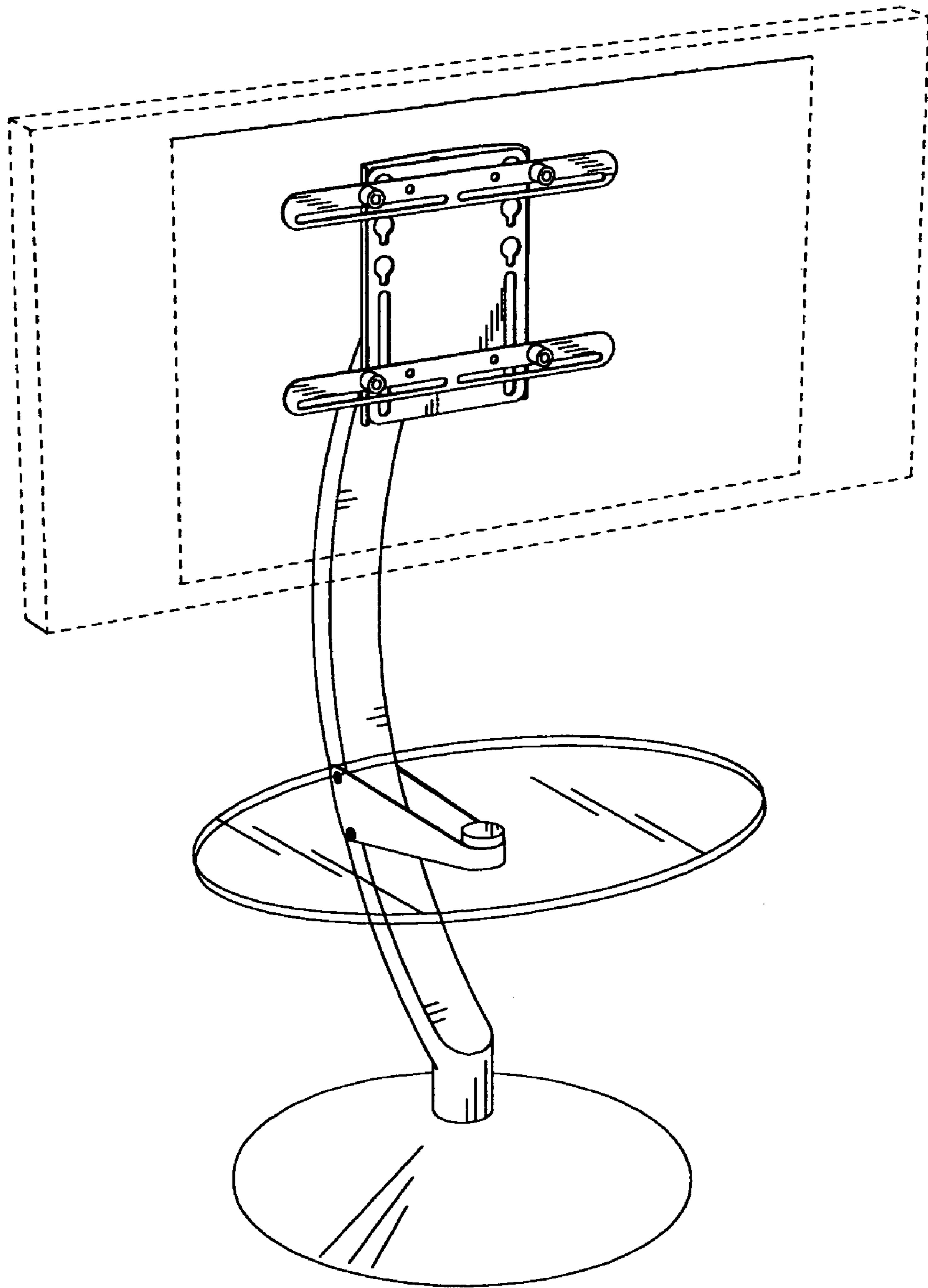


Fig. 1

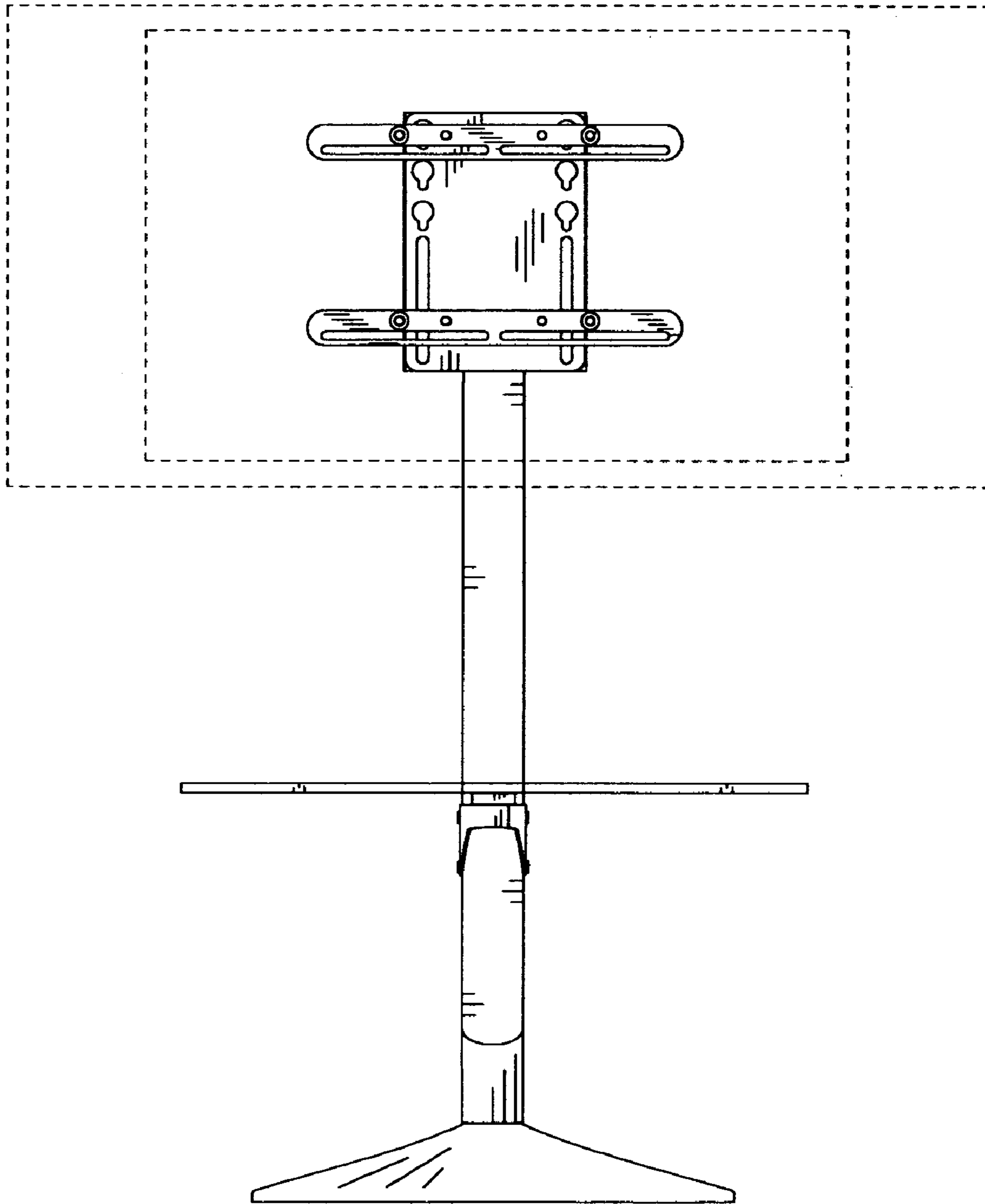


Fig. 2

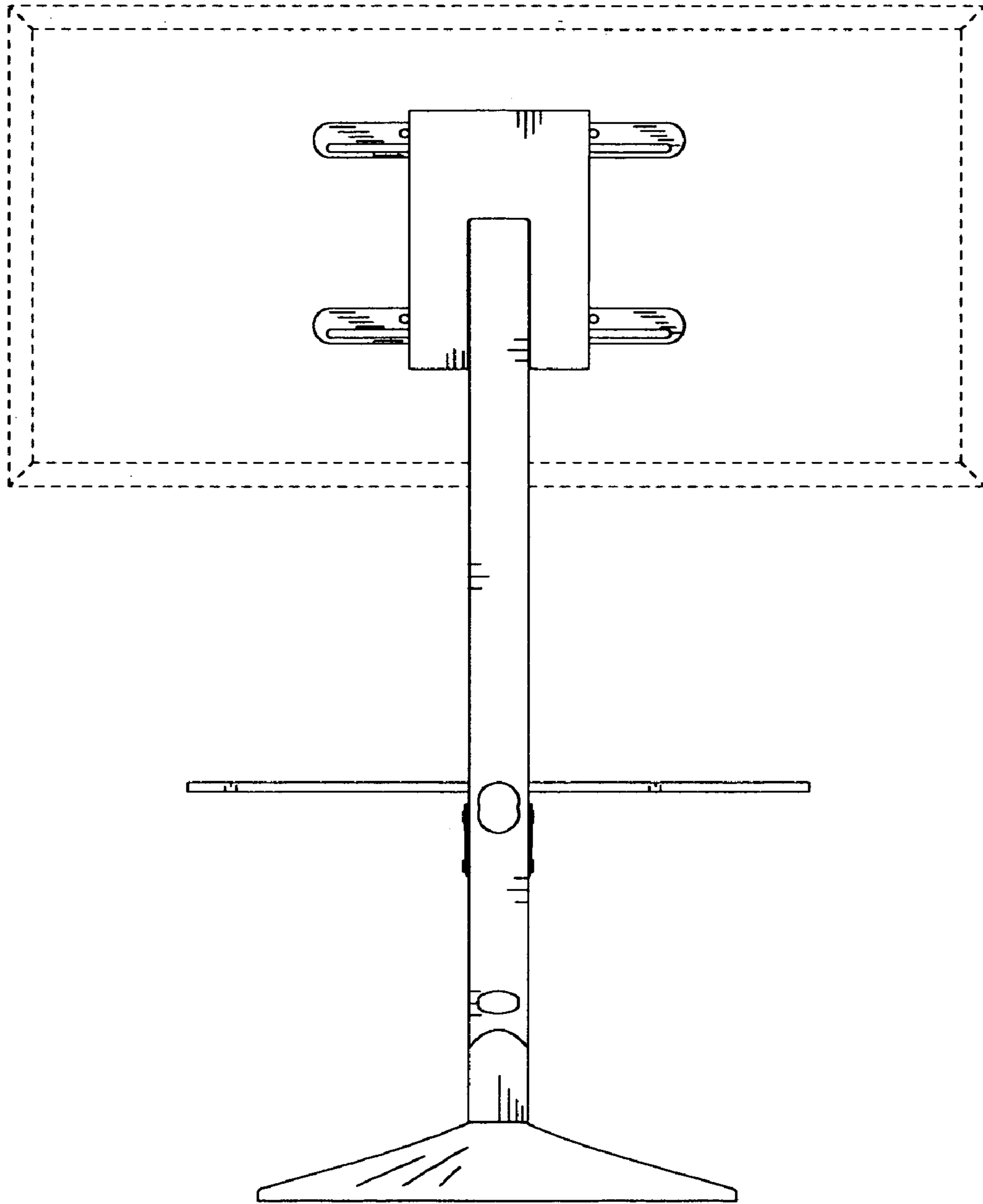


Fig. 3

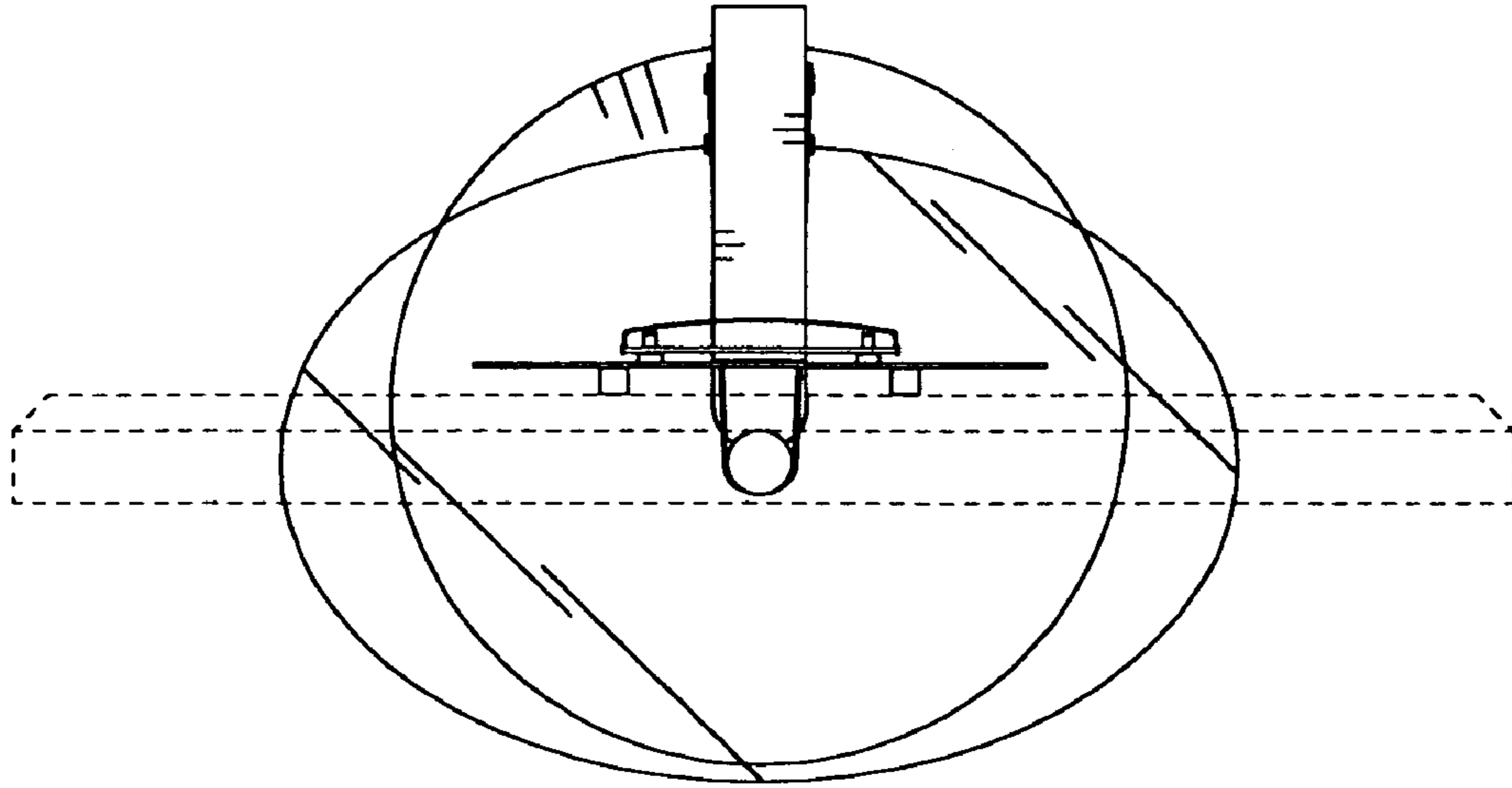


Fig. 4

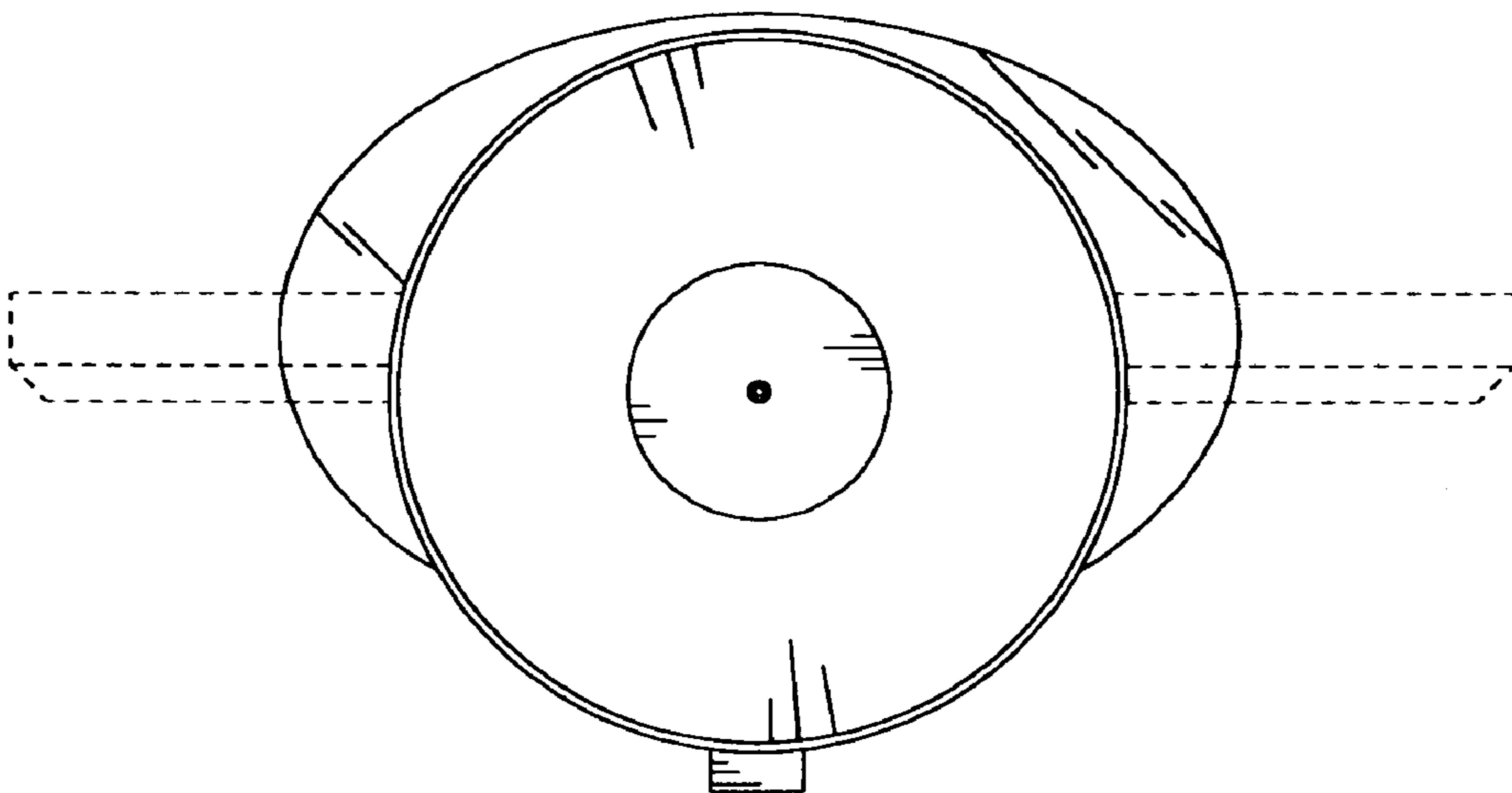


Fig. 5

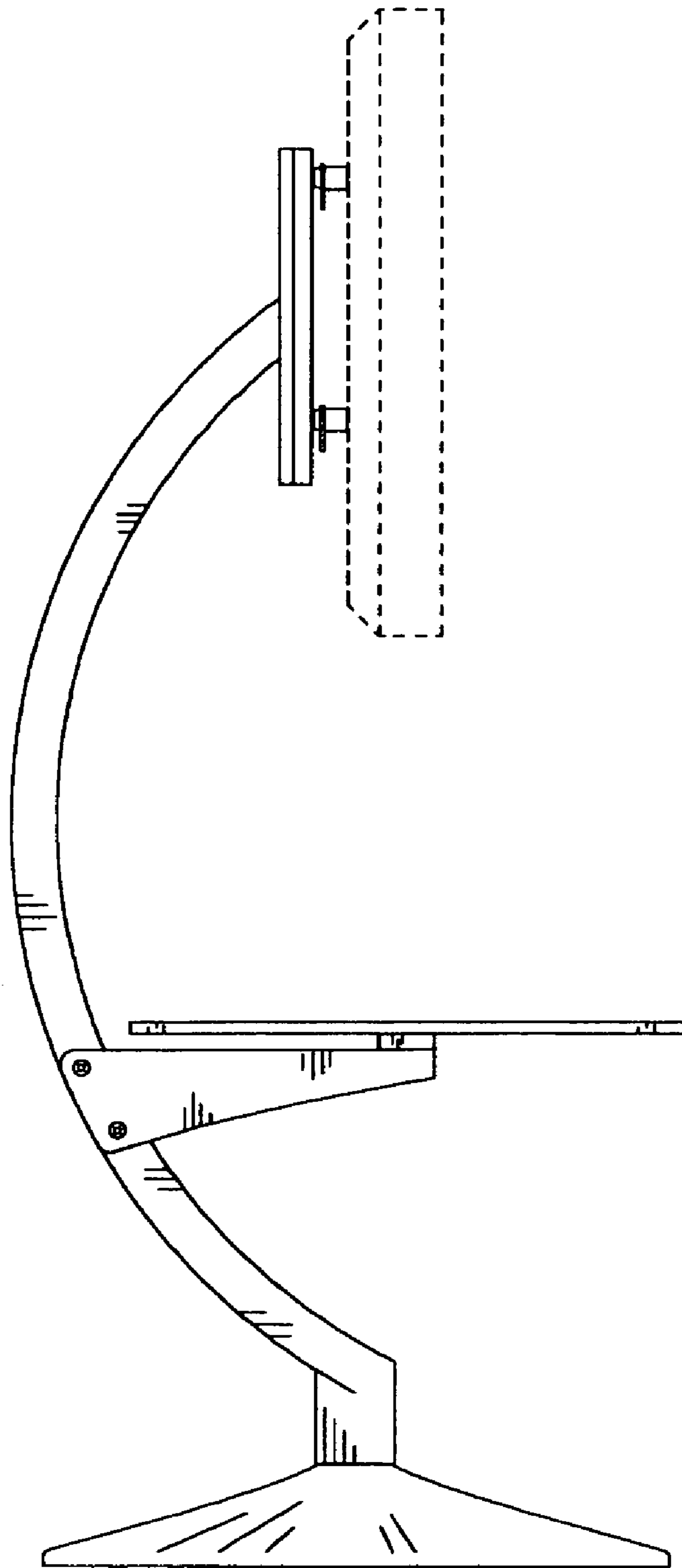


Fig. 6