



US00D545080S

(12) **United States Design Patent**  
**Massaud**

(10) **Patent No.:** **US D545,080 S**  
(45) **Date of Patent:** **\*\* Jun. 26, 2007**

(54) **STAND**

(75) Inventor: **Jean Marie Massaud**, Paris (FR)

(73) Assignee: **Hansgrohe AG** (DE)

(\*\*) Term: **14 Years**

(21) Appl. No.: **29/257,518**

(22) Filed: **Apr. 5, 2006**

(30) **Foreign Application Priority Data**

Oct. 14, 2005 (EM) ..... 000418033-0001

(51) **LOC (8) Cl.** ..... **06-04**

(52) **U.S. Cl.** ..... **D6/411**

(58) **Field of Classification Search** ..... D6/412,  
D6/411, 450, 451, 458, 415, 453, 403, 457;  
312/204; 211/13.1, 85.3, 205, 34; 248/176.1;  
108/59, 60; D7/707

See application file for complete search history.

(56) **References Cited**

U.S. PATENT DOCUMENTS

D263,653 S \* 4/1982 Viets ..... D6/397  
D282,793 S \* 3/1986 Zombeck ..... D6/411  
D326,964 S \* 6/1992 Kakuk et al. .... D6/412  
5,127,528 A \* 7/1992 Cone ..... 211/34

D369,032 S \* 4/1996 Huang et al. .... D6/412  
D428,278 S \* 7/2000 Yang ..... D6/412  
D429,920 S \* 8/2000 Malapane ..... D6/457  
D431,395 S \* 10/2000 Malapane ..... D6/457  
D447,393 S \* 9/2001 Bodum ..... D7/707  
D465,946 S \* 11/2002 Boyd, Jr. .... D6/458

\* cited by examiner

*Primary Examiner*—Caron D. Veynar

*Assistant Examiner*—Sydney R. Buffalow

(74) *Attorney, Agent, or Firm*—Edgar A. Zarins; Lloyd D. Doigan

(57) **CLAIM**

The ornamental design for a stand, as shown and described.

**DESCRIPTION**

FIG. 1 is a front perspective view of a stand showing my design;

FIG. 2 is a top plan view thereof;

FIG. 3 is a bottom plan view thereof;

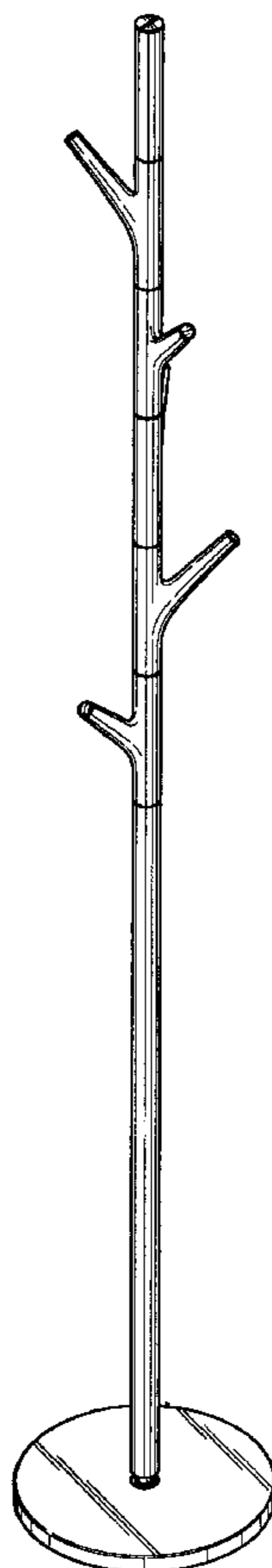
FIG. 4 is a right side elevational view thereof;

FIG. 5 is a front elevational view thereof;

FIG. 6 is a rear elevational view thereof; and,

FIG. 7 is a left side elevational view thereof.

**1 Claim, 2 Drawing Sheets**



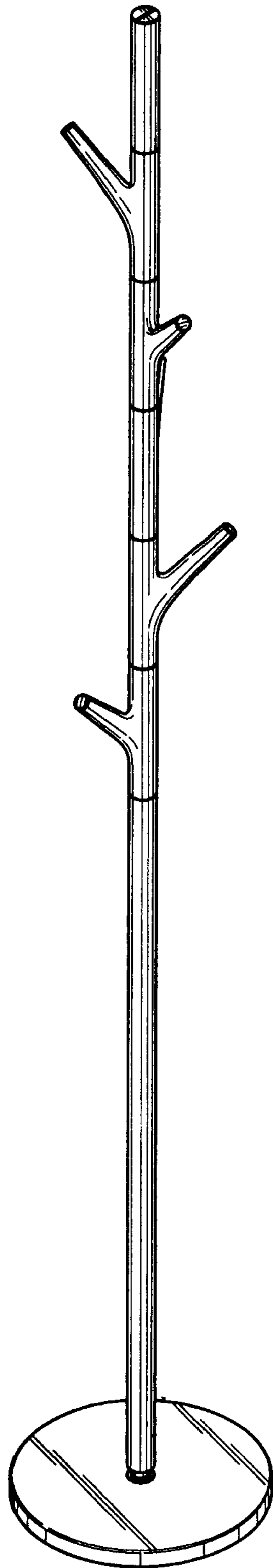


FIG. 1

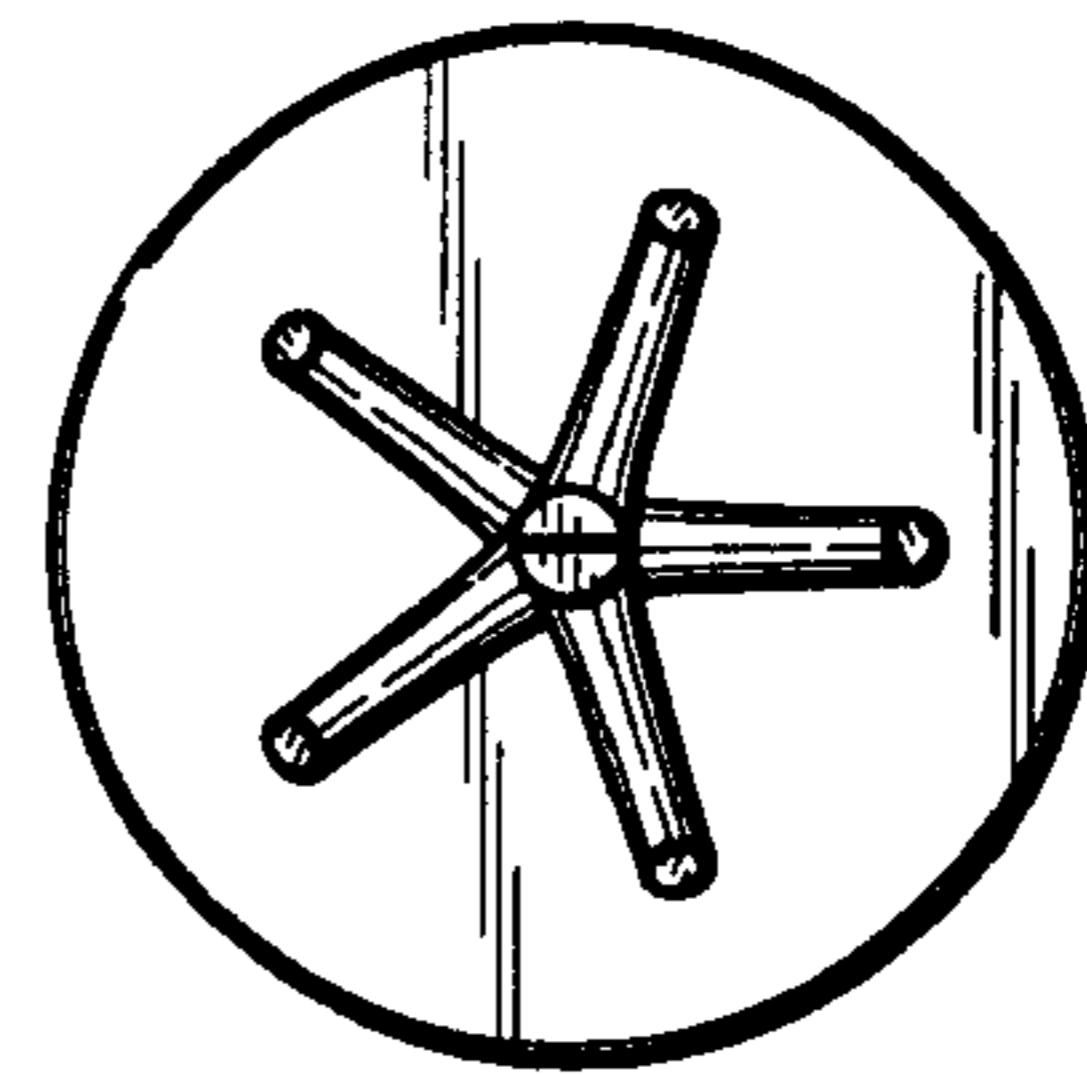


FIG. 2

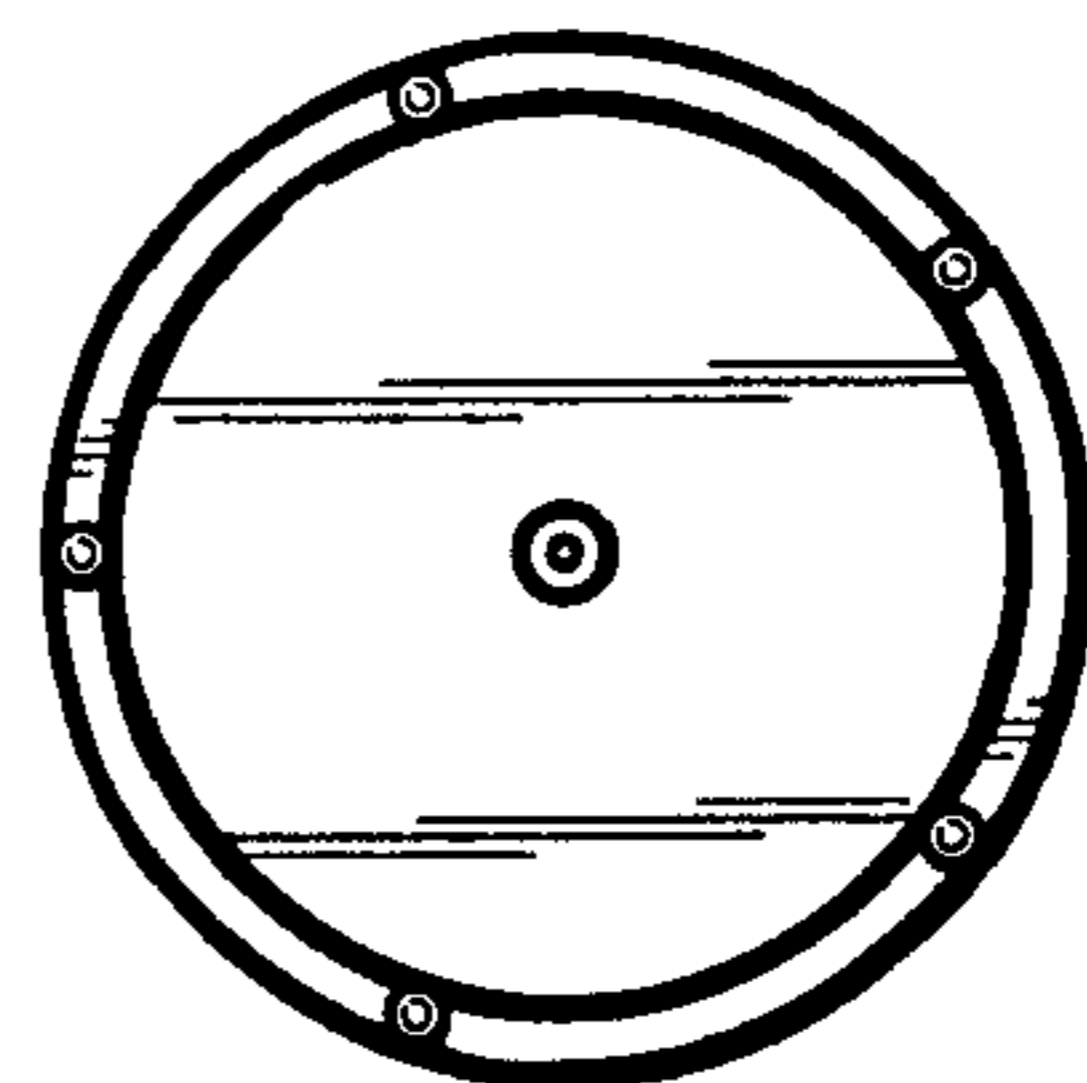


FIG. 3

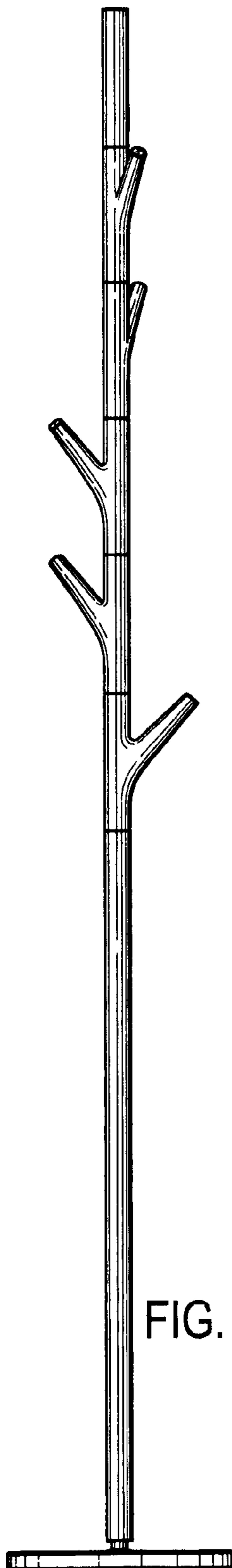


FIG. 4

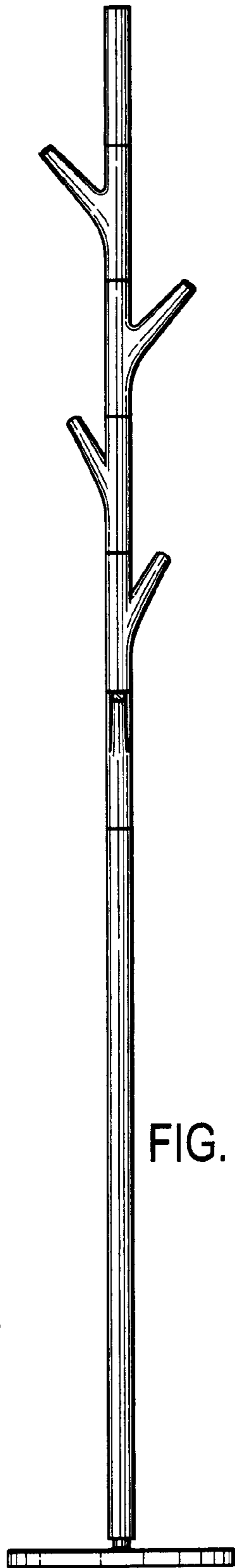


FIG. 5

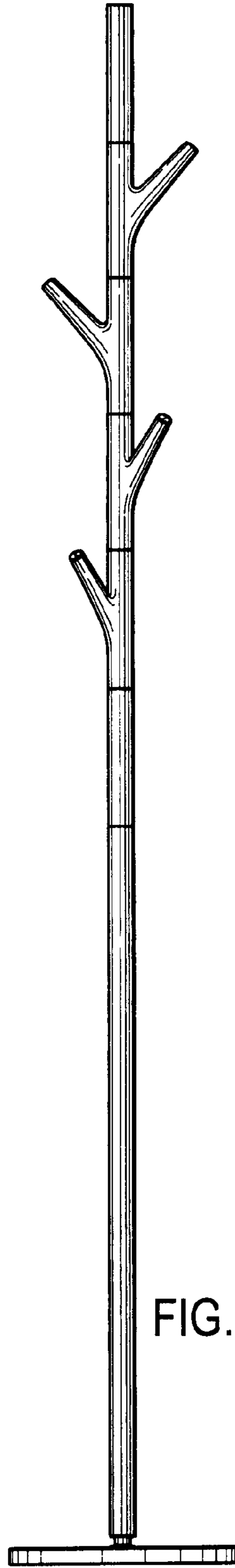


FIG. 6

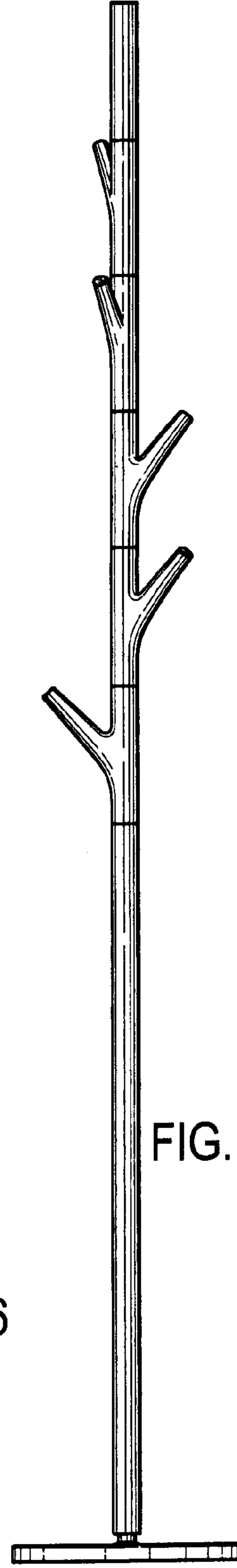


FIG. 7