



US00D545076S

(12) **United States Design Patent**  
**Dallmann et al.**

(10) **Patent No.:** **US D545,076 S**

(45) **Date of Patent:** **\*\* Jun. 26, 2007**

(54) **OFFICE CHAIR**

(75) Inventors: **Joern Dallmann**, Nuremberg (DE);  
**Larry A. Wilkerson**, Comstock Park,  
MI (US); **Joe Willette**, Grand Haven,  
MI (US); **Michael W. Welsh**, Rockford,  
MI (US); **Pete Beyer**, Hamilton, MI  
(US)

(73) Assignee: **Haworth, Inc.**, Holland, MI (US)

(\*\*) Term: **14 Years**

(21) Appl. No.: **29/224,332**

(22) Filed: **Feb. 28, 2005**

(51) **LOC (8) Cl.** ..... **06-01**

(52) **U.S. Cl.** ..... **D6/366**

(58) **Field of Classification Search** ..... D6/334-336,  
D6/364-367, 379, 498, 500-502; 297/284.4,  
297/411.2, 411.27, 411.28, 411.36, 452.3,  
297/452.21, 452.29

See application file for complete search history.

(56) **References Cited**

**U.S. PATENT DOCUMENTS**

D388,258 S	*	12/1997	Ambasz	.....	D6/366
D493,627 S	*	8/2004	Ma	.....	D6/366
D495,509 S	*	9/2004	Breen	.....	D6/366
D509,388 S	*	9/2005	Koepke et al.	.....	D6/500
2002/0036420 A1	*	3/2002	Footitt	.....	297/284.4
2005/0062323 A1	*	3/2005	Dicks	.....	297/284.4

**OTHER PUBLICATIONS**

Habegger, Jerryll and Osman, Joseph H, Sourcebook of Modern Furniture, W.W. Norton & Company, 3rd Edition, p. 111.\*

\* cited by examiner

*Primary Examiner*—Robert M. Spear

*Assistant Examiner*—Katrina A. Kile

(74) *Attorney, Agent, or Firm*—Flynn, Thiel, Boutell & Tanis, P.C.

(57) **CLAIM**

The ornamental design for an office chair, as shown and described.

**DESCRIPTION**

FIG. 1 is a front view of an office chair showing our new design;

FIG. 2 is a top view thereof;

FIG. 3 is a left side view thereof, the right side being a mirror image;

FIG. 4 is a rear view thereof;

FIG. 5 is a left, isometric view thereof;

FIG. 6 is a front view of a second embodiment;

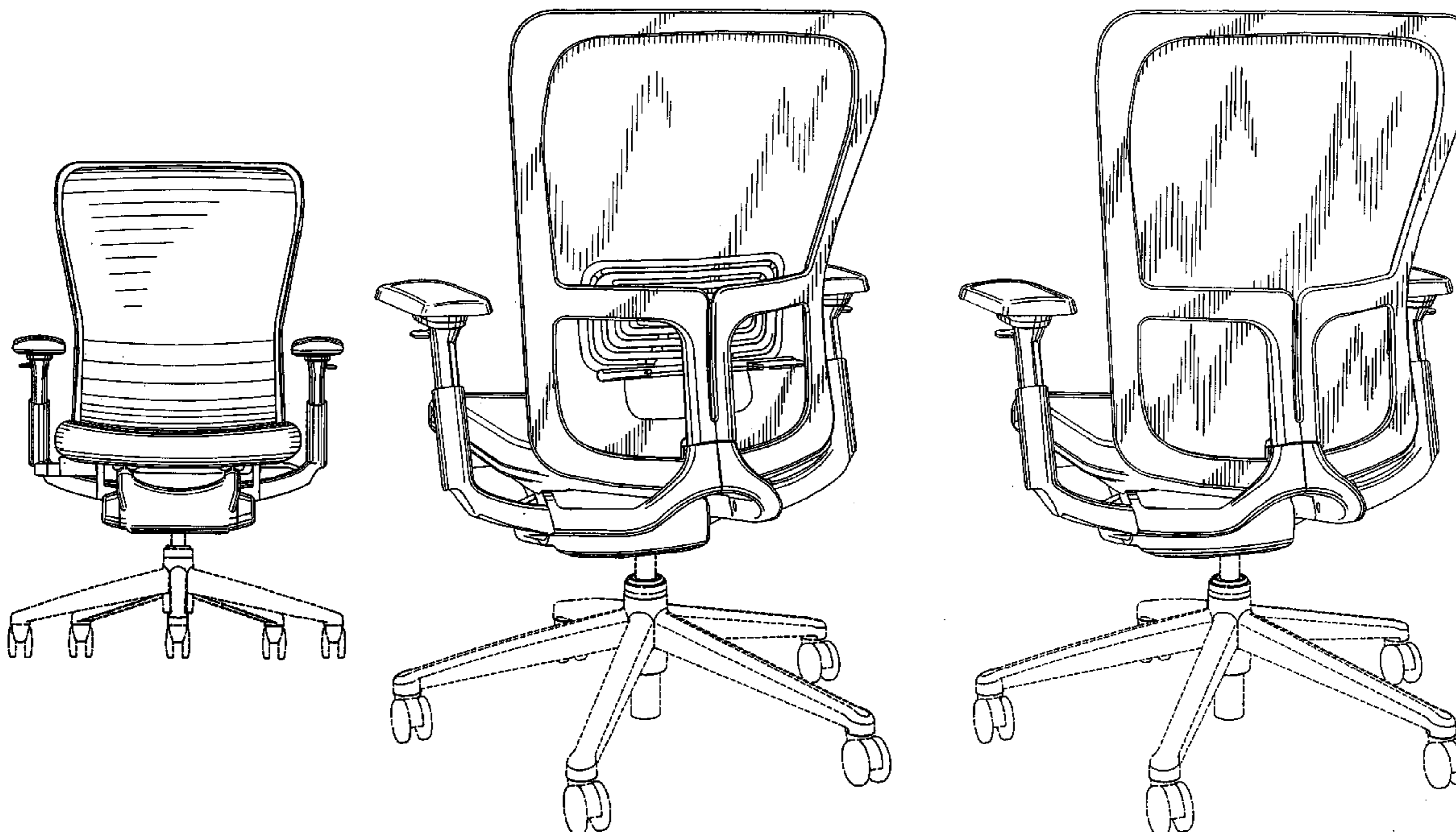
FIG. 7 is a top view thereof;

FIG. 8 is a left side view thereof, the right side view being a mirror image;

FIG. 9 is a rear view thereof; and,

FIG. 10 is a left, isometric view thereof.

**1 Claim, 6 Drawing Sheets**



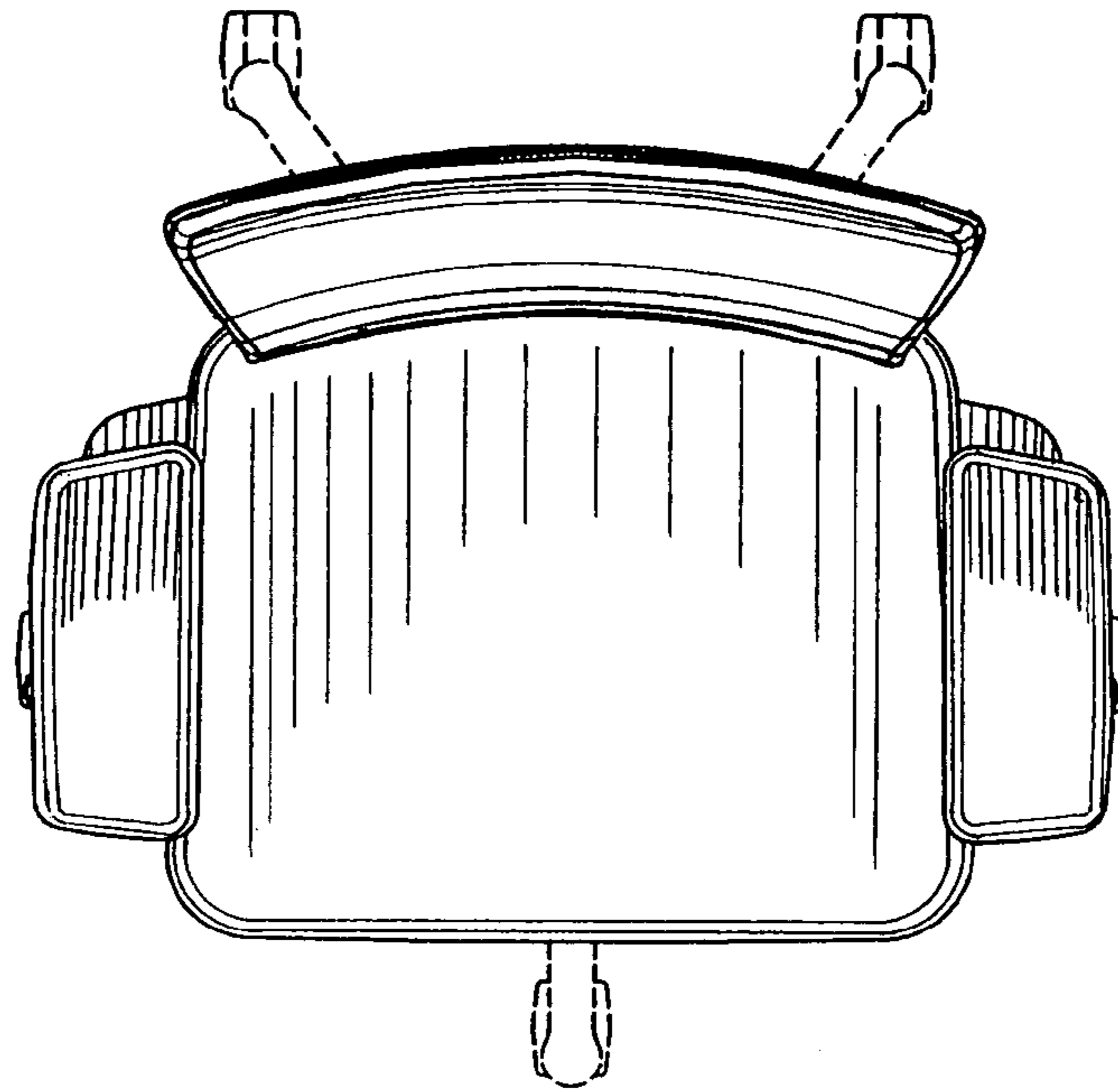


FIG. 2

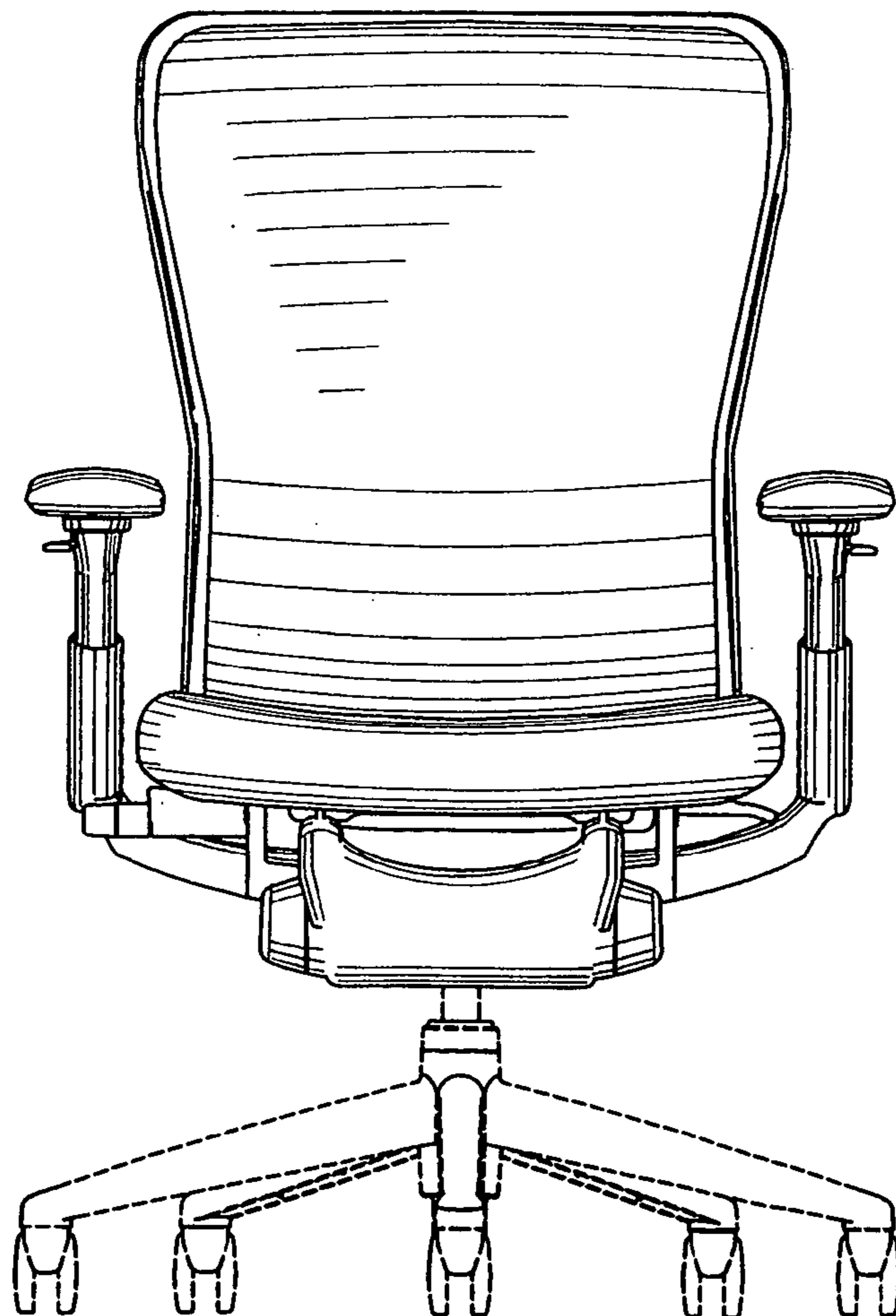


FIG. 1

FIG. 4

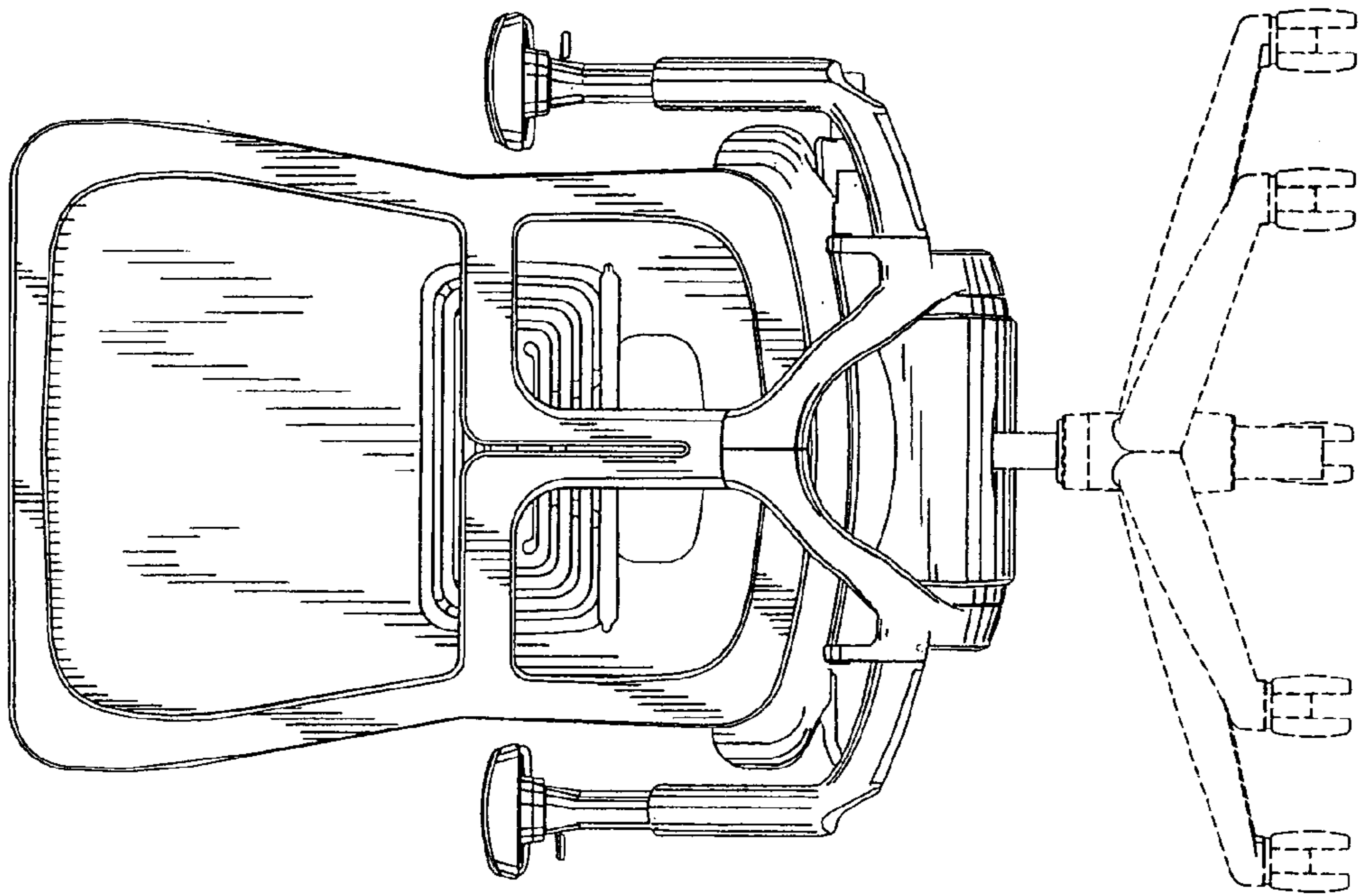


FIG. 3

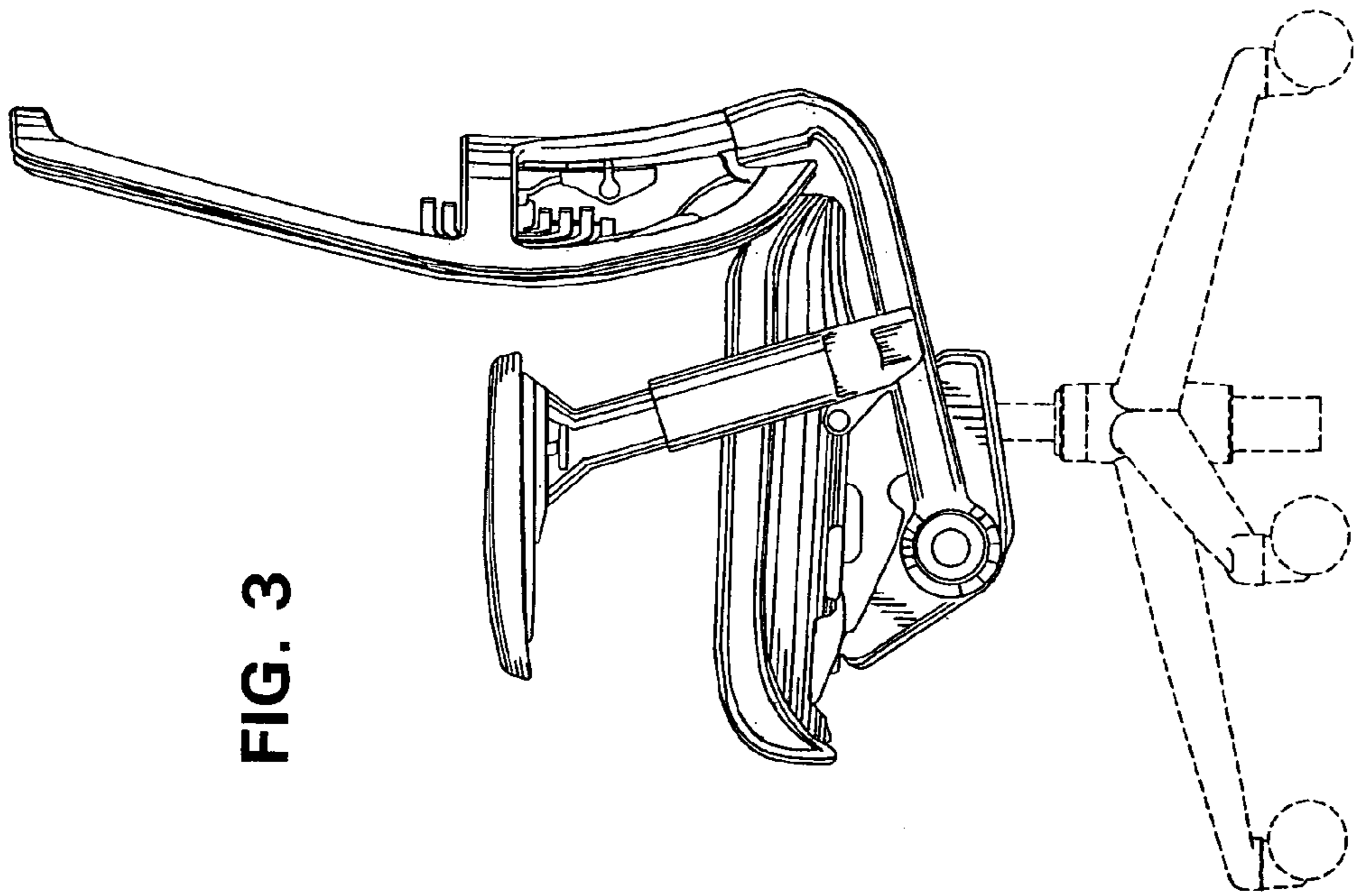
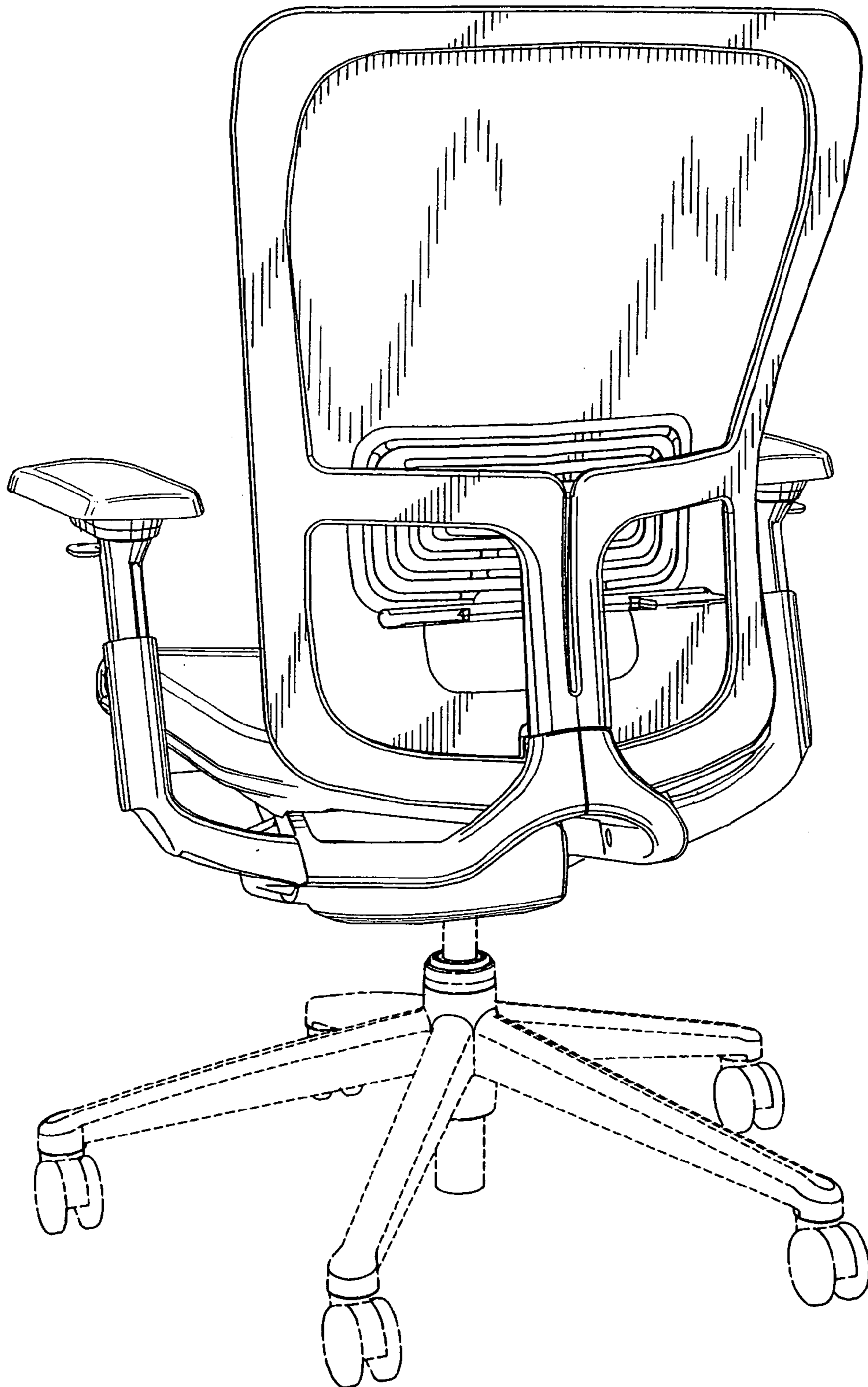


FIG. 5



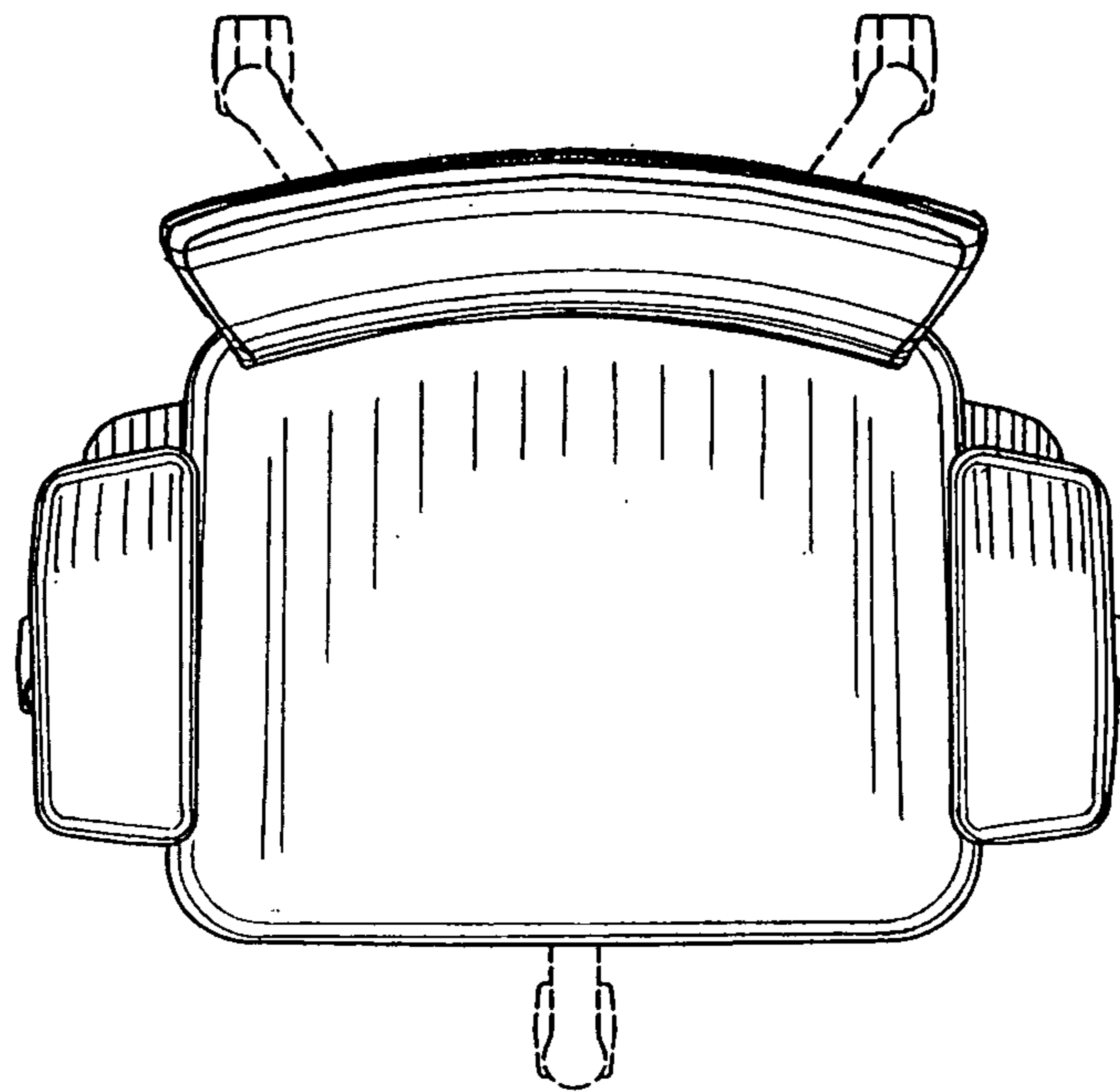


FIG. 7

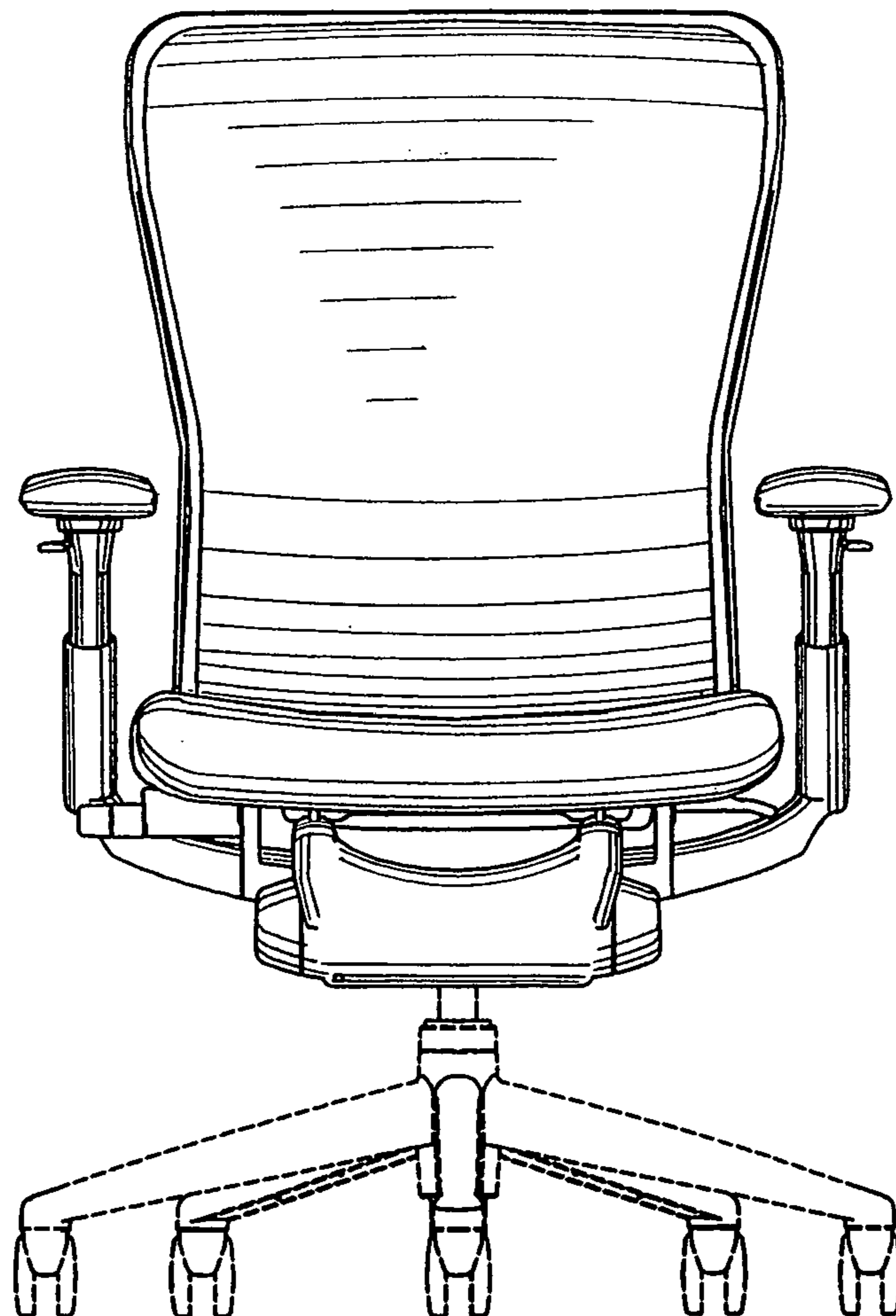


FIG. 6

FIG. 9

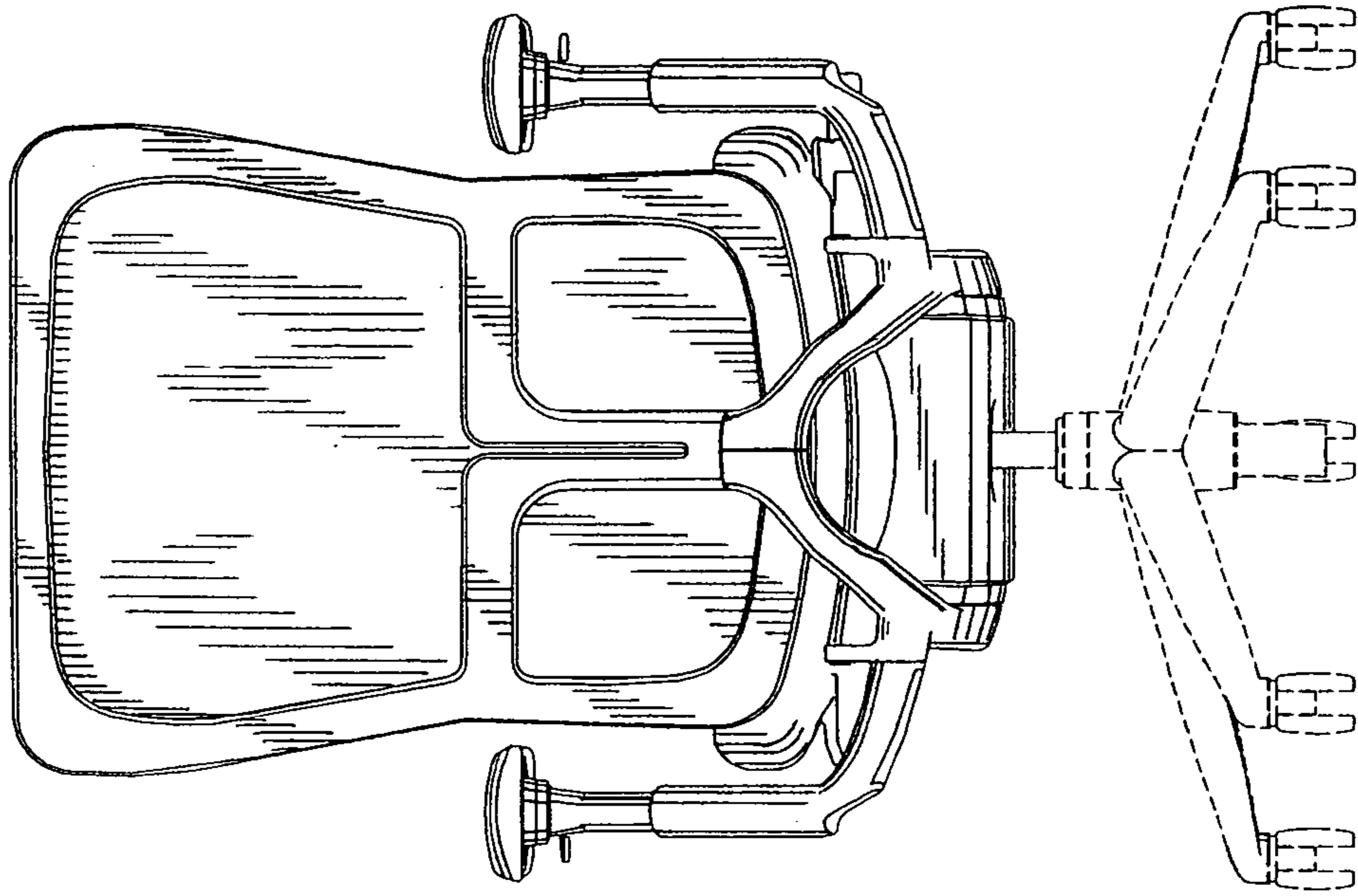


FIG. 8

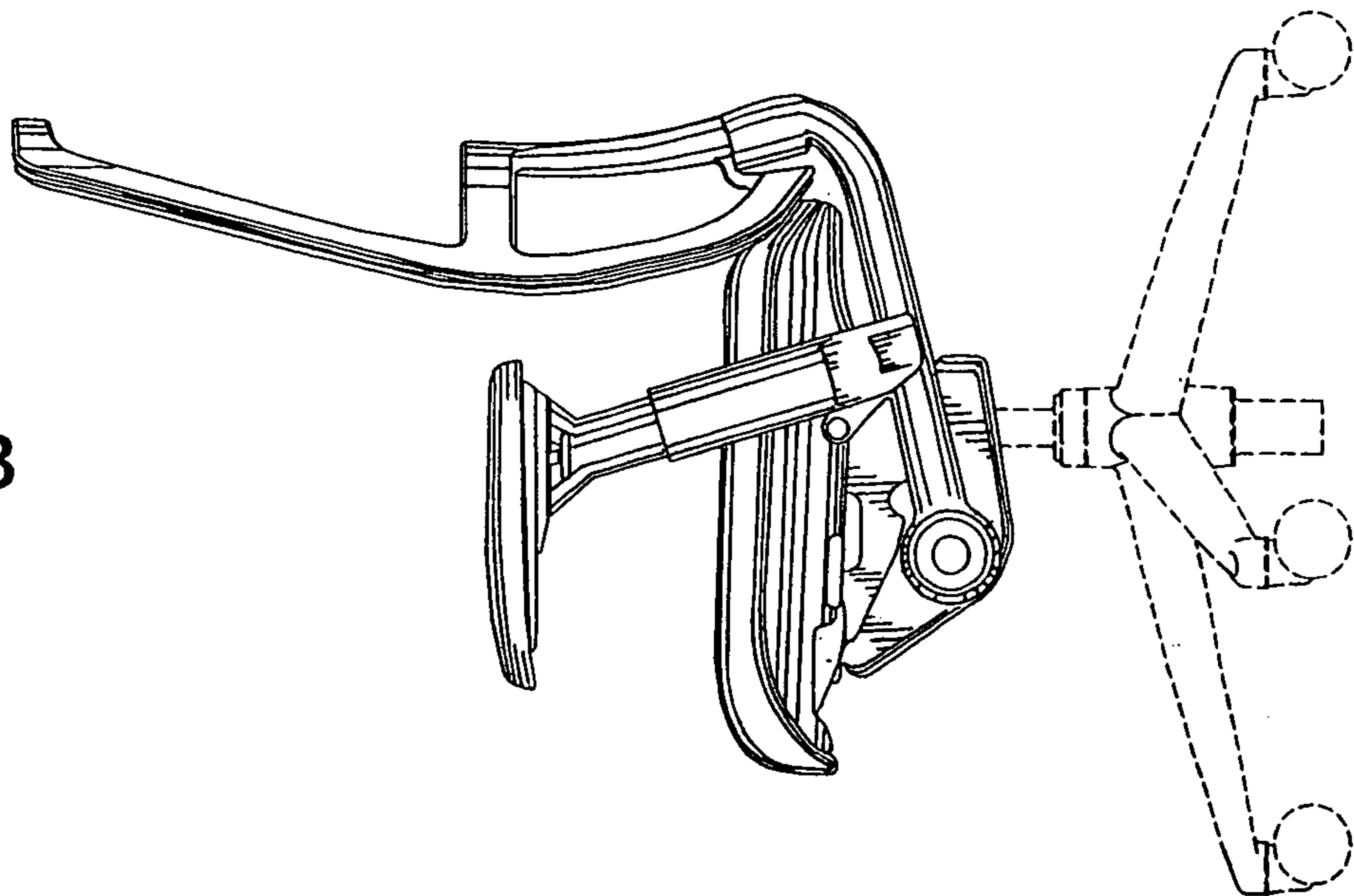


FIG. 10

