



US00D545075S

(12) **United States Design Patent**  
**Hunziker**

(10) **Patent No.:** **US D545,075 S**

(45) **Date of Patent:** **\*\* Jun. 26, 2007**

(54) **CHAISE LOUNGE**

(75) Inventor: **Terrence J. Hunziker**, Seattle, WA  
(US)

(73) Assignee: **David Sutherland, Inc.**, Dallas, TX  
(US)

(\*\*) Term: **14 Years**

(21) Appl. No.: **29/241,014**

(22) Filed: **Oct. 21, 2005**

(51) **LOC (8) Cl.** ..... **06-01**

(52) **U.S. Cl.** ..... **D6/361**

(58) **Field of Classification Search** ..... D6/334–336,  
D6/361, 367, 368, 369, 370, 373, 374, 375,  
D6/500–502; 297/377, 445.1, 446.1, 452.63  
See application file for complete search history.

(56) **References Cited**

**U.S. PATENT DOCUMENTS**

3,737,926 A	6/1973	Hermanson	
D233,090 S	10/1974	Laylon	
D278,392 S	4/1985	Bayly	
D286,708 S	11/1986	Heinson	
D291,390 S *	8/1987	Biscarini	D6/361
D296,499 S *	7/1988	Frinier	D6/361
D299,685 S *	2/1989	Frinier	D6/361
D301,412 S	6/1989	Duvivier	
D335,397 S *	5/1993	Fox	D6/361
D337,212 S *	7/1993	Hashimoto et al.	D6/367
D341,491 S *	11/1993	Martin	D6/361
D341,725 S *	11/1993	Piper	D6/361
D343,069 S *	1/1994	Trudo et al.	D6/361
D371,912 S *	7/1996	Peltz	D6/336
D411,379 S	6/1999	Kreiss	
D426,393 S	6/2000	Saad Rionda	
D439,757 S	4/2001	Saad Rionda	

D473,388 S 4/2003 Hutton  
D486,969 S \* 2/2004 Weaver ..... D6/361

\* cited by examiner

*Primary Examiner*—Mimosa De

(74) *Attorney, Agent, or Firm*—Gardere Wynne Sewell LLP

(57) **CLAIM**

The ornamental design for a chaise lounge, as shown and described.

**DESCRIPTION**

FIG. 1 is a perspective view of a chaise lounge in accordance with my invention;

FIG. 2 is a right side elevation view of the chaise lounge shown in FIG. 1;

FIG. 3 is a left side elevation view of the chaise lounge shown in FIG. 1;

FIG. 4 is an end elevation view of the chaise lounge shown in FIG. 1;

FIG. 5 is an end elevation view of the opposite end of the chaise lounge shown in FIGS. 1 and 4;

FIG. 6 is a top plan view of the chaise lounge shown in FIG. 1;

FIG. 7 is a bottom plan view of the chaise lounge shown in FIG. 1;

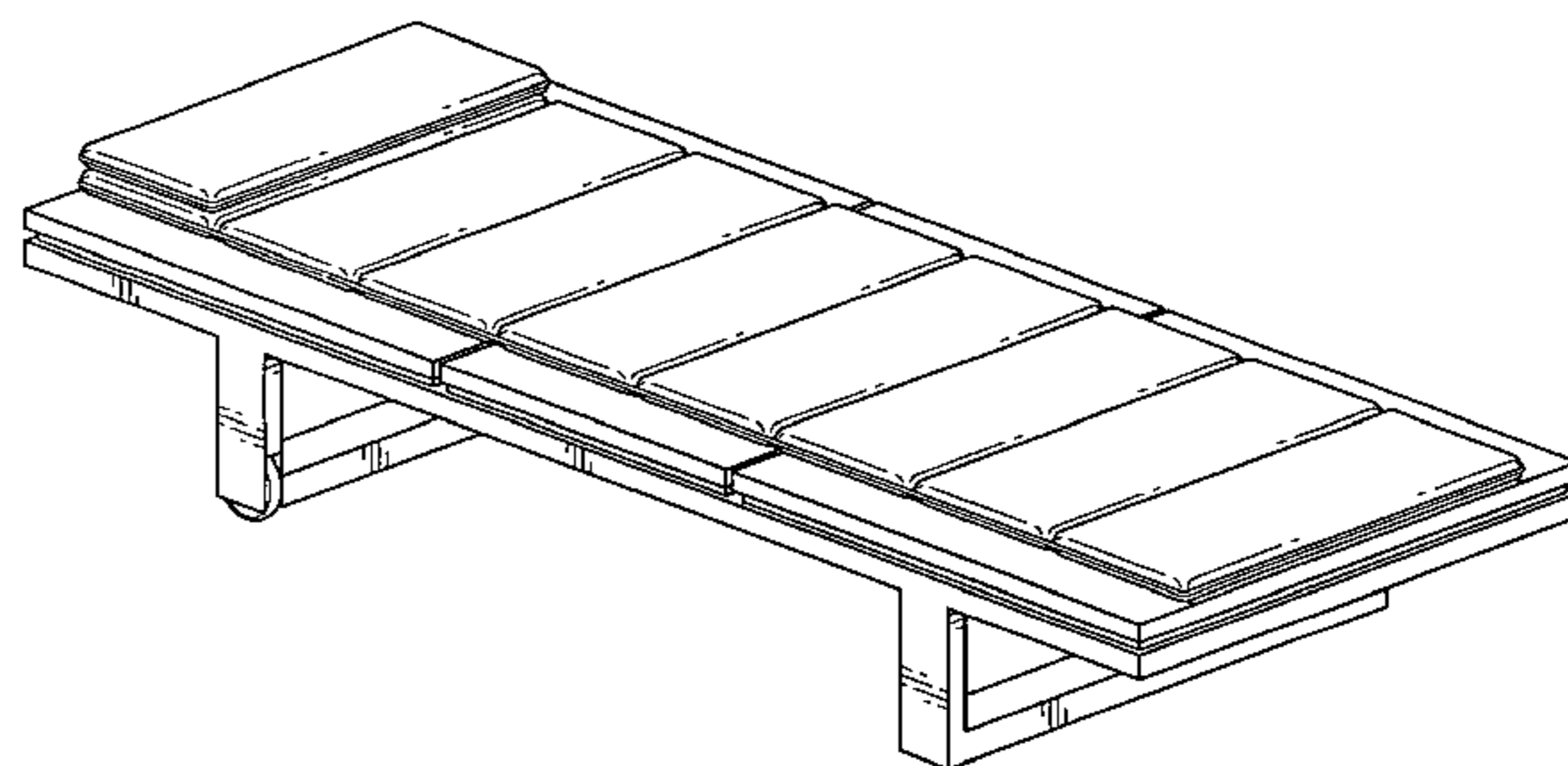
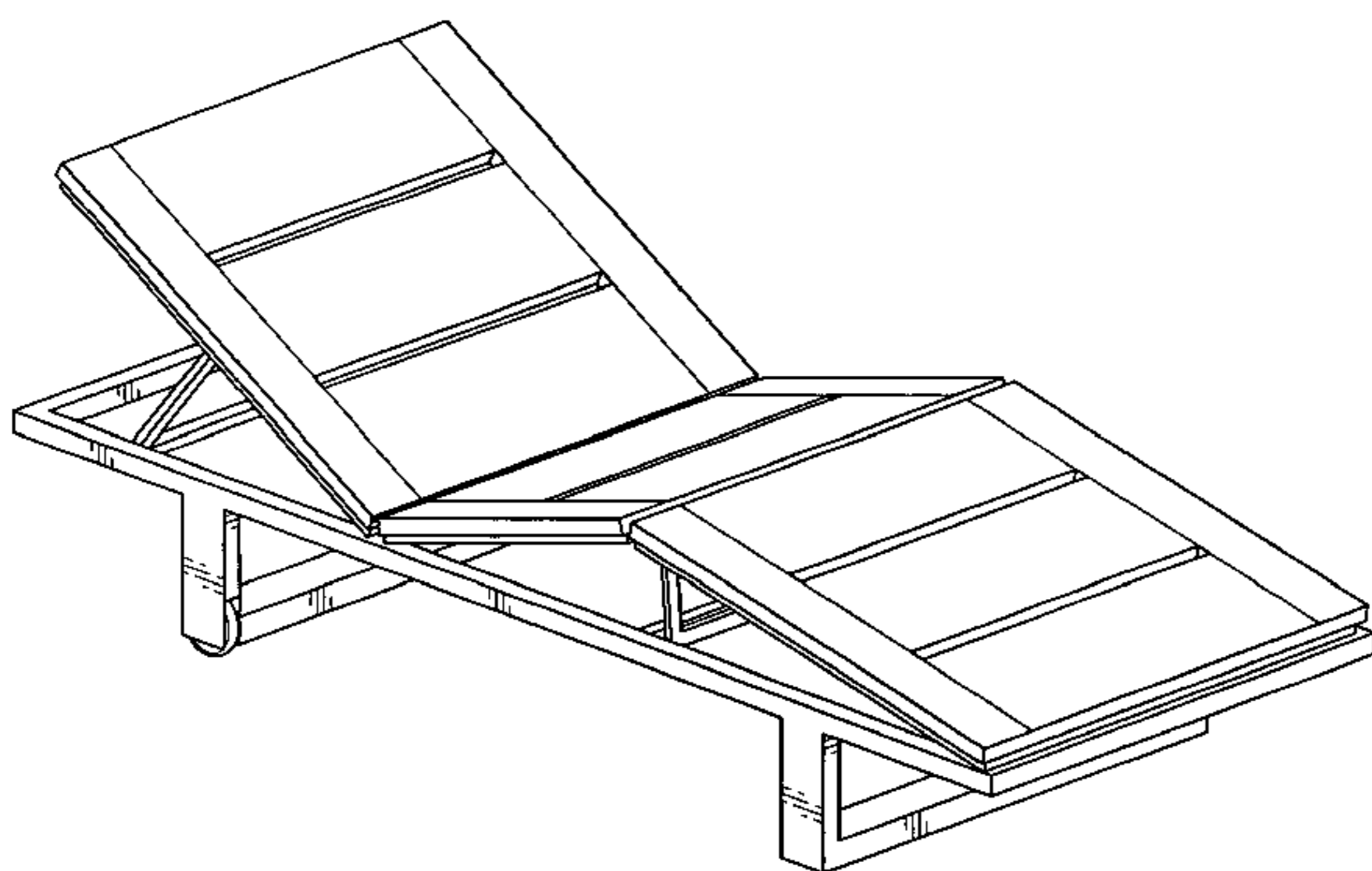
FIG. 8 is a perspective view of the chaise lounge shown in FIG. 1 in a reclined position;

FIG. 9 is a perspective view of the chaise lounge shown in FIGS. 1 through 8 in an inclined position with cushions disposed thereon; and,

FIG. 10 is a perspective view of the chaise lounge shown in FIGS. 1 through 9 in a reclined position with cushions disposed thereon.

FIGS. 1-8 shown without cushion for ease of illustration.

**1 Claim, 8 Drawing Sheets**



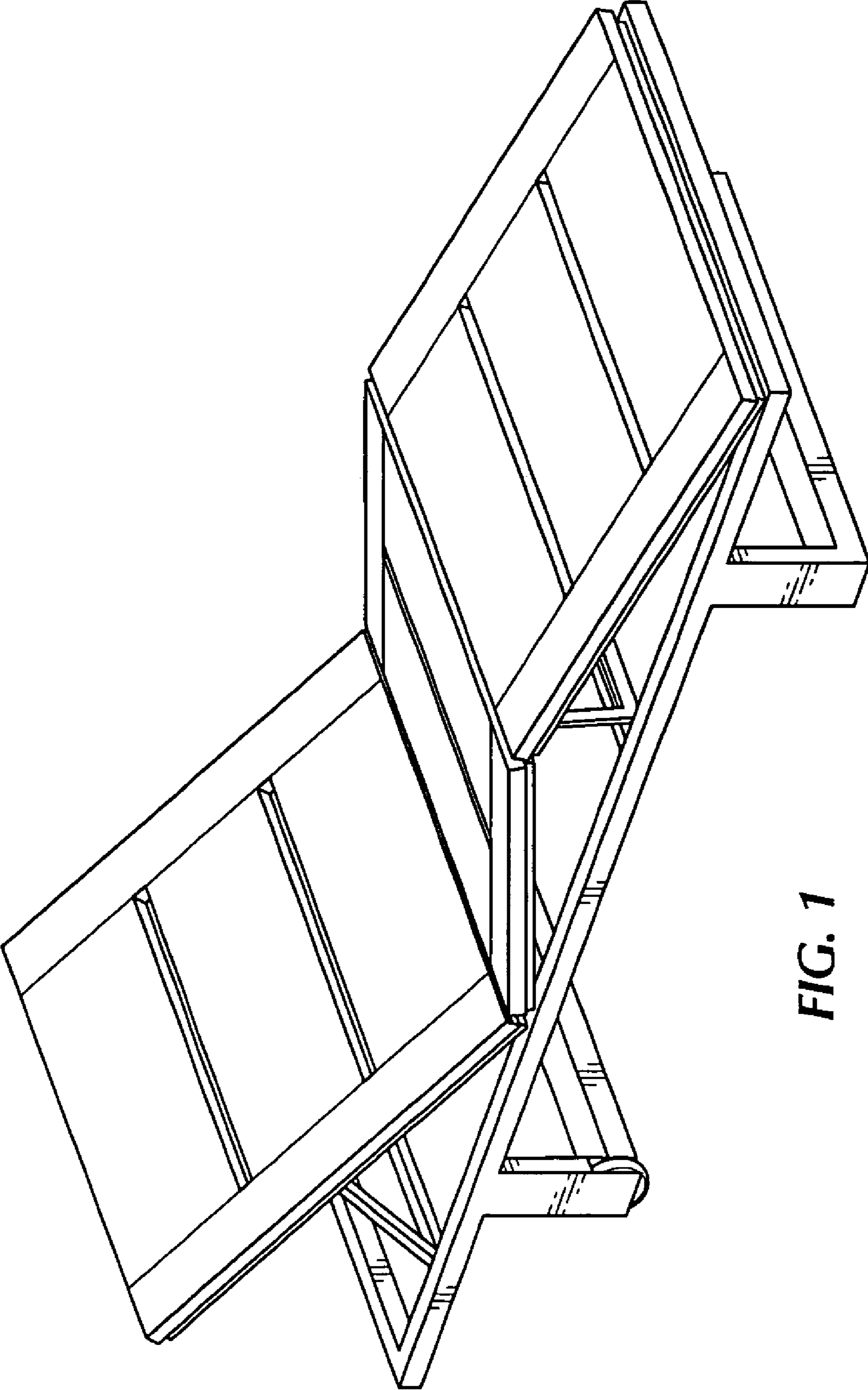


FIG. 1

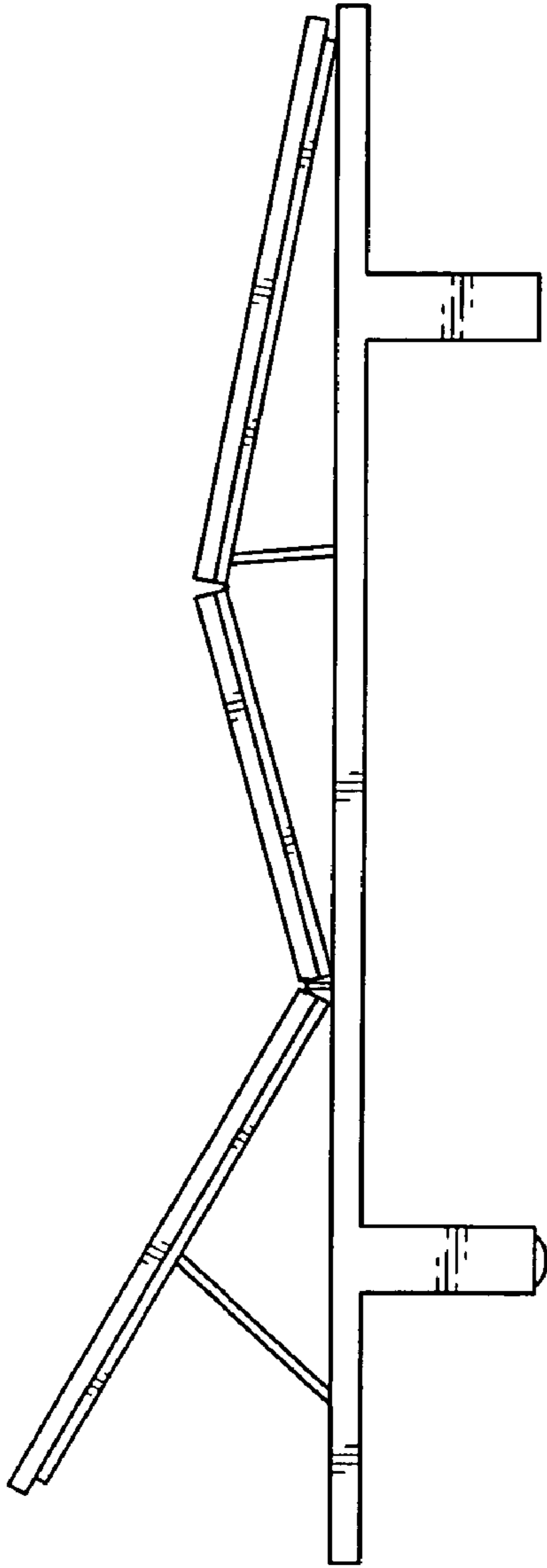


FIG. 2

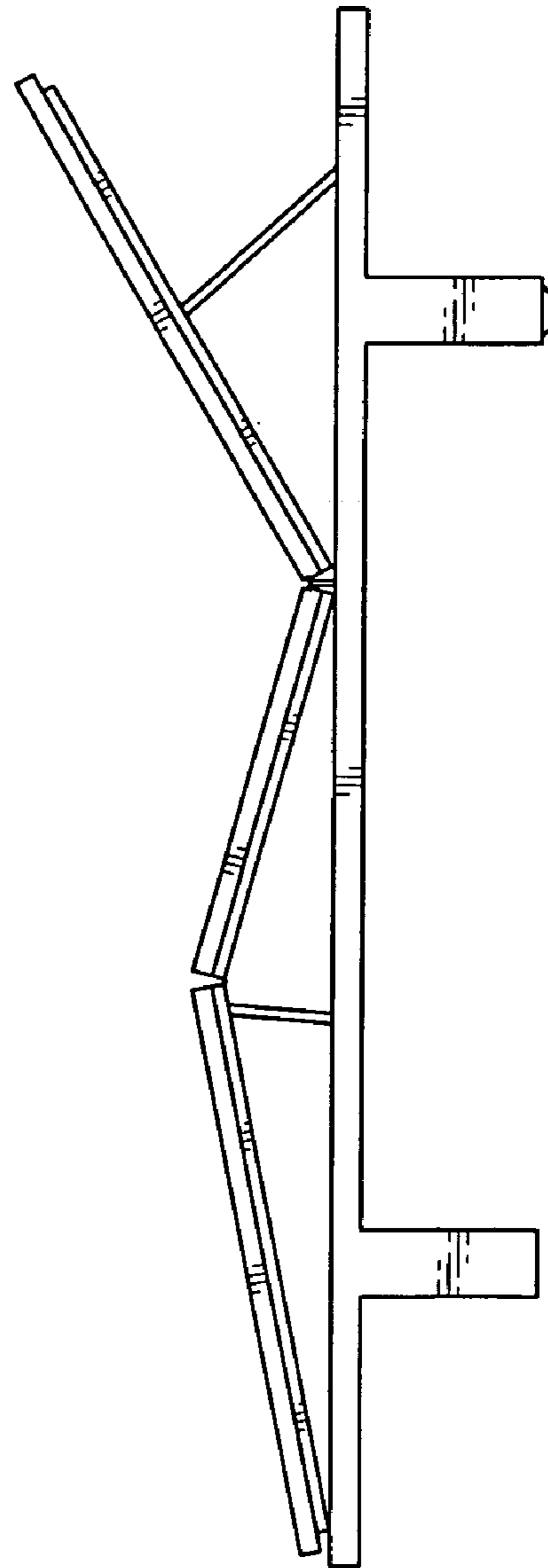
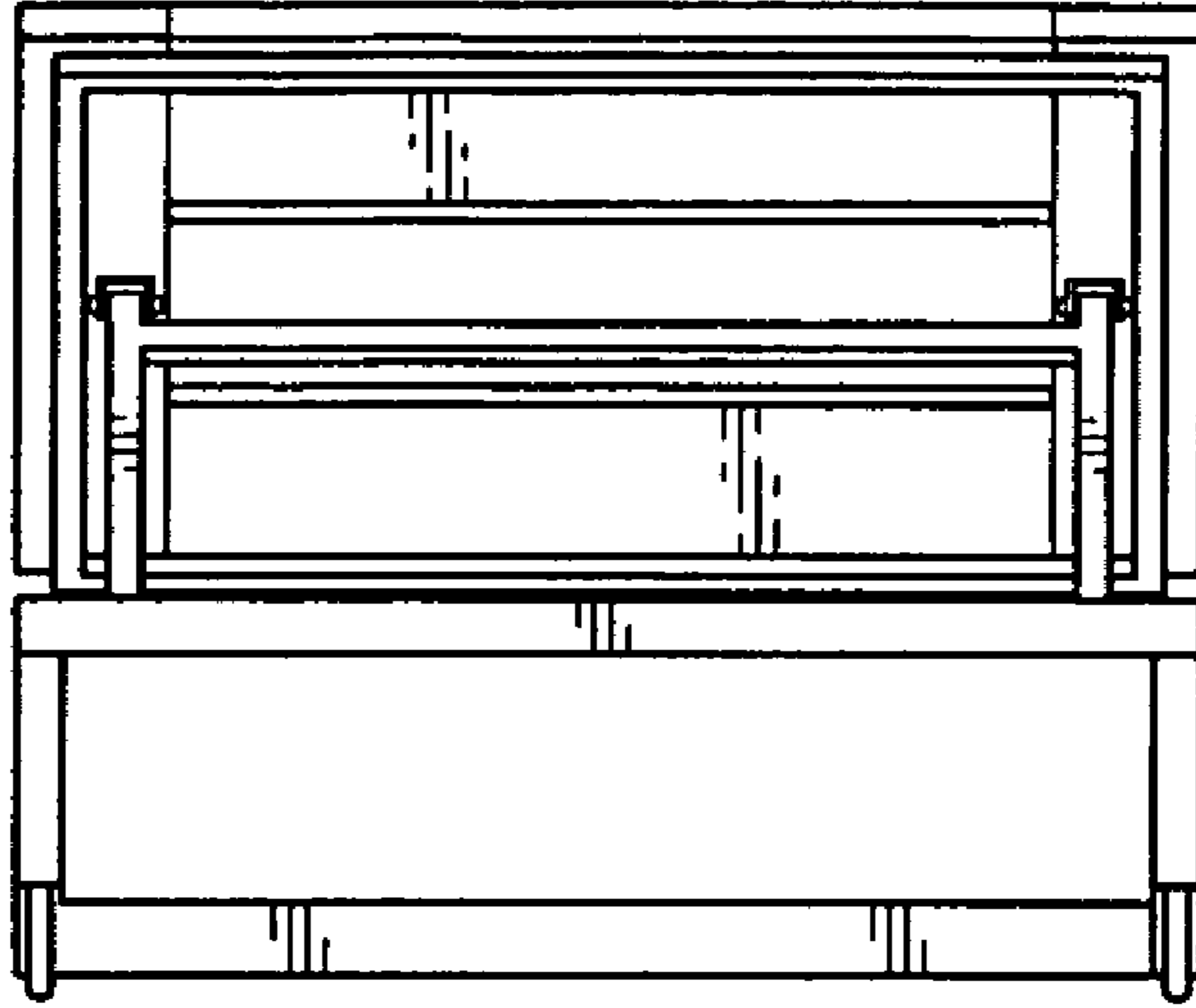
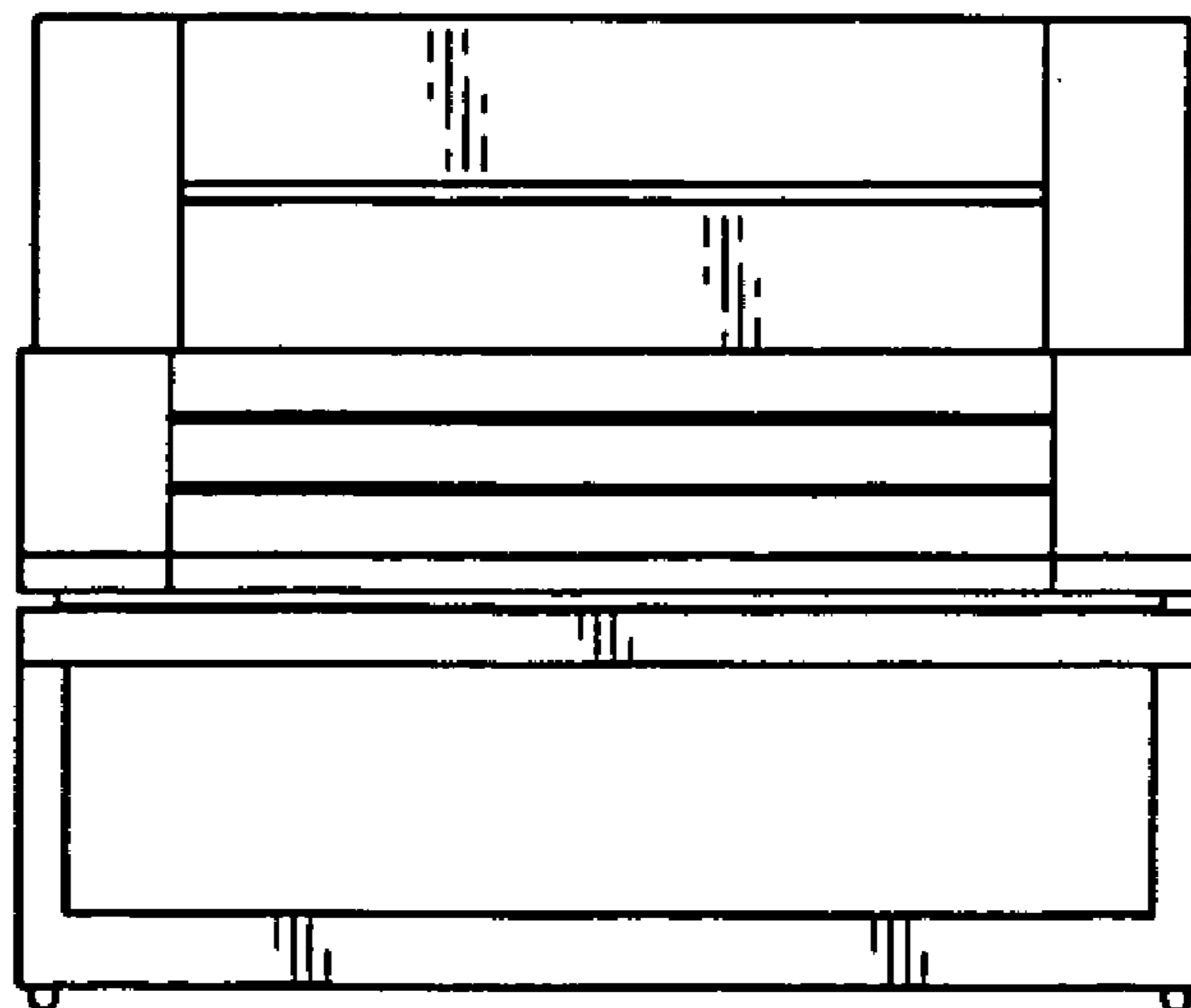


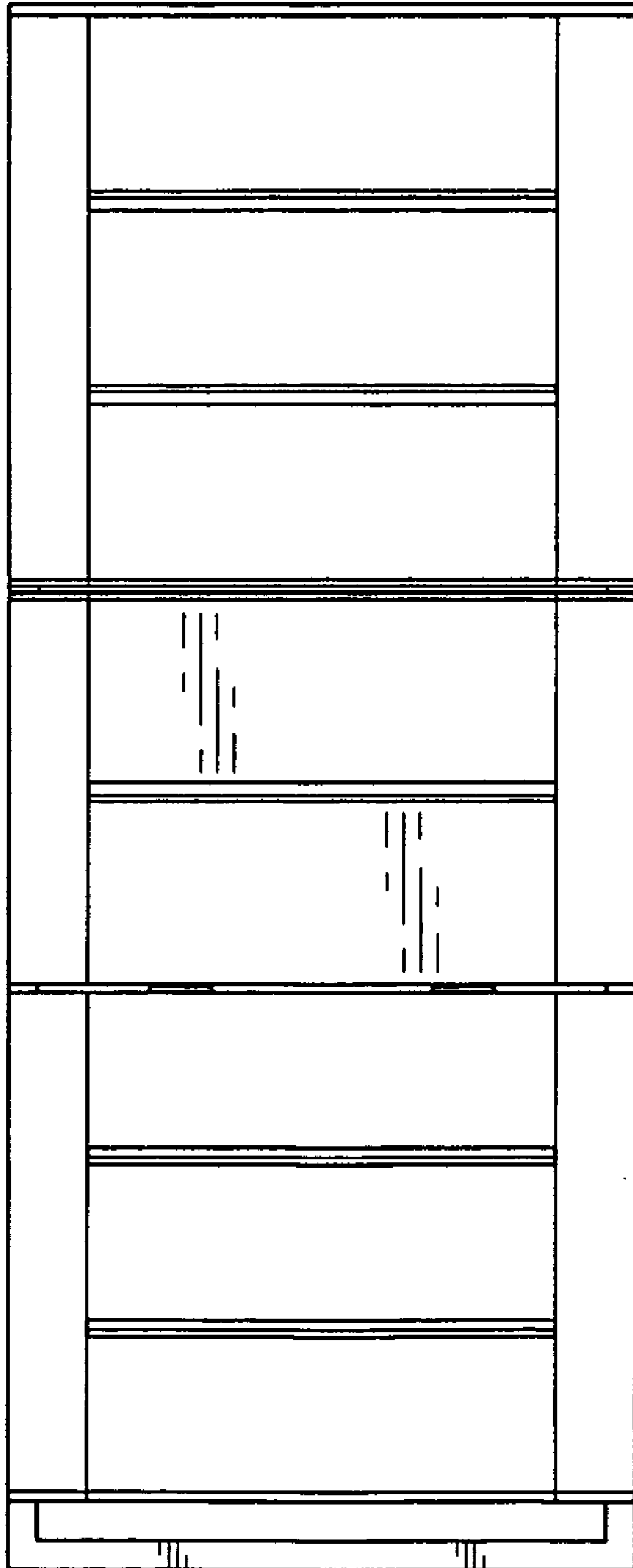
FIG. 3



**FIG. 4**



**FIG. 5**



**FIG. 6**

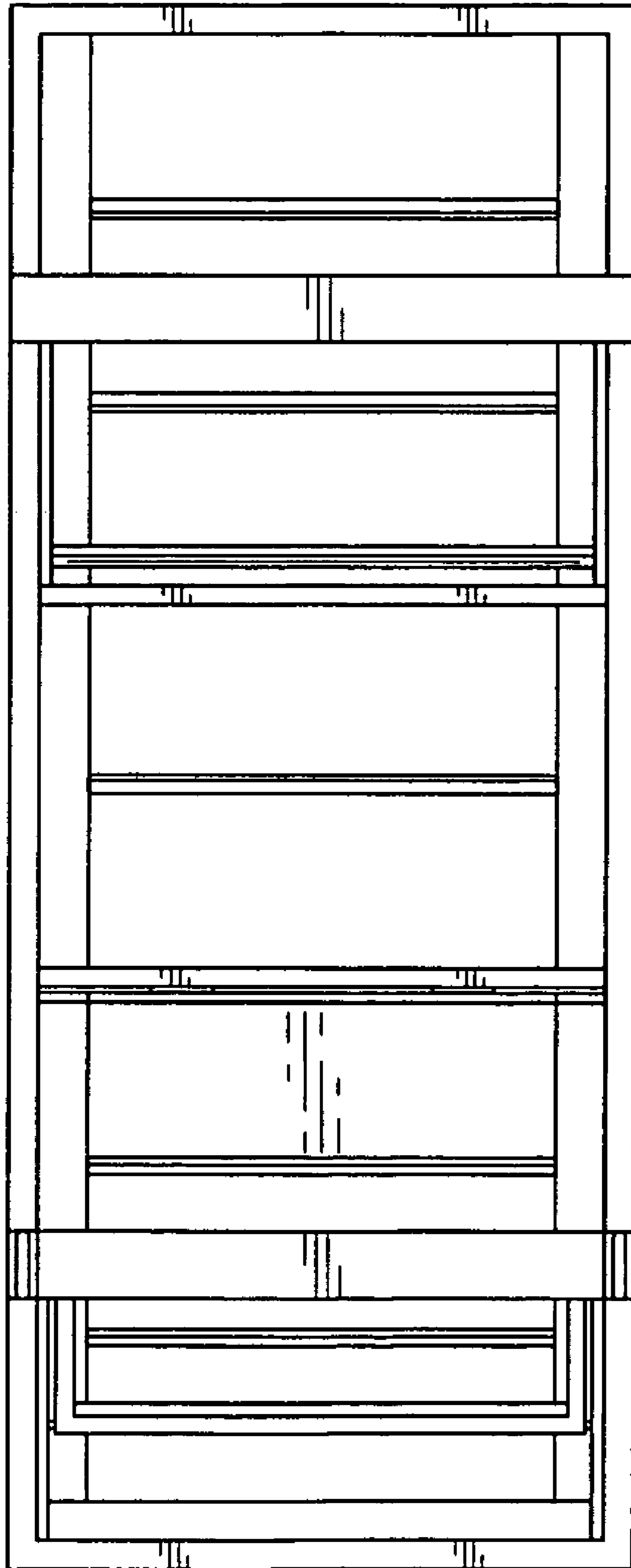


FIG. 7

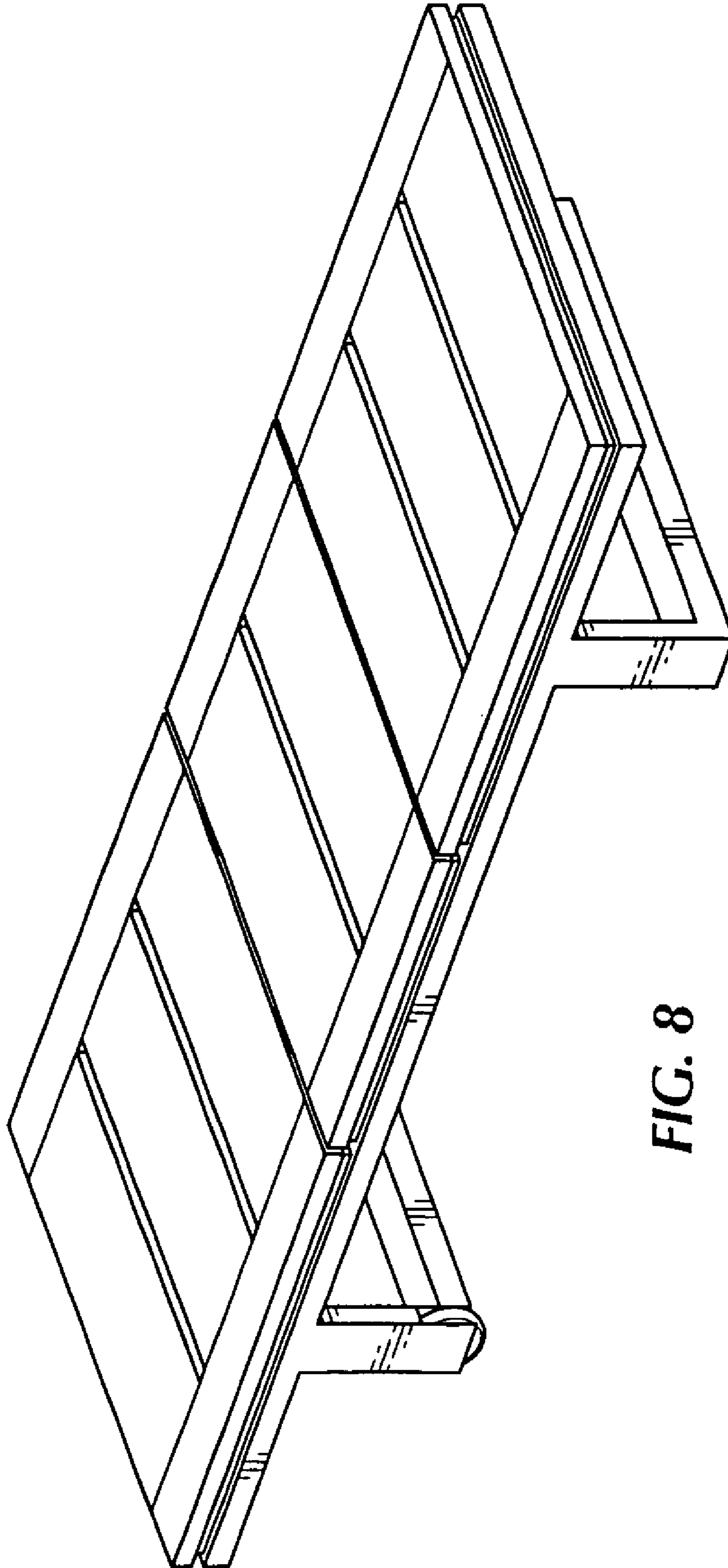


FIG. 8

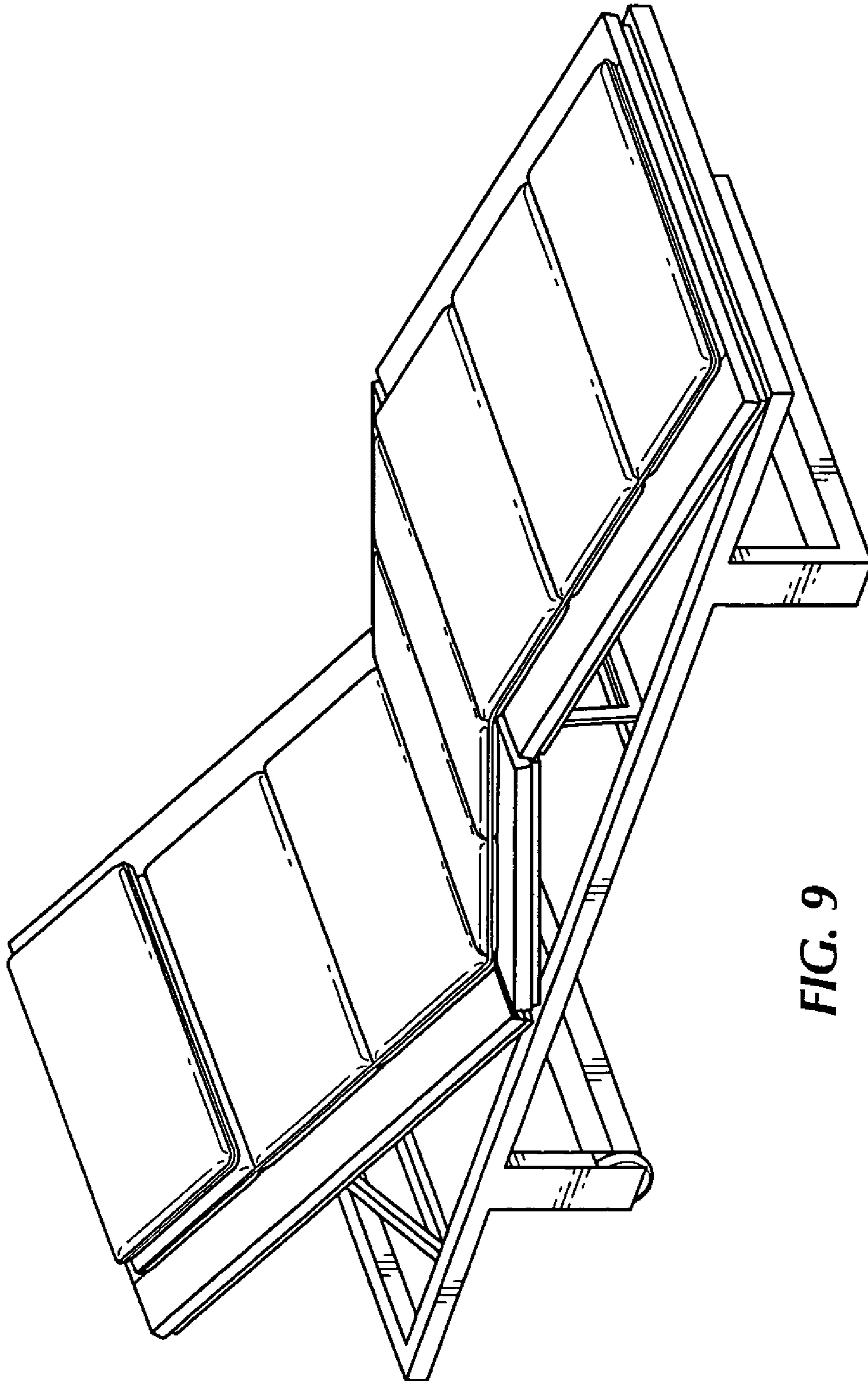
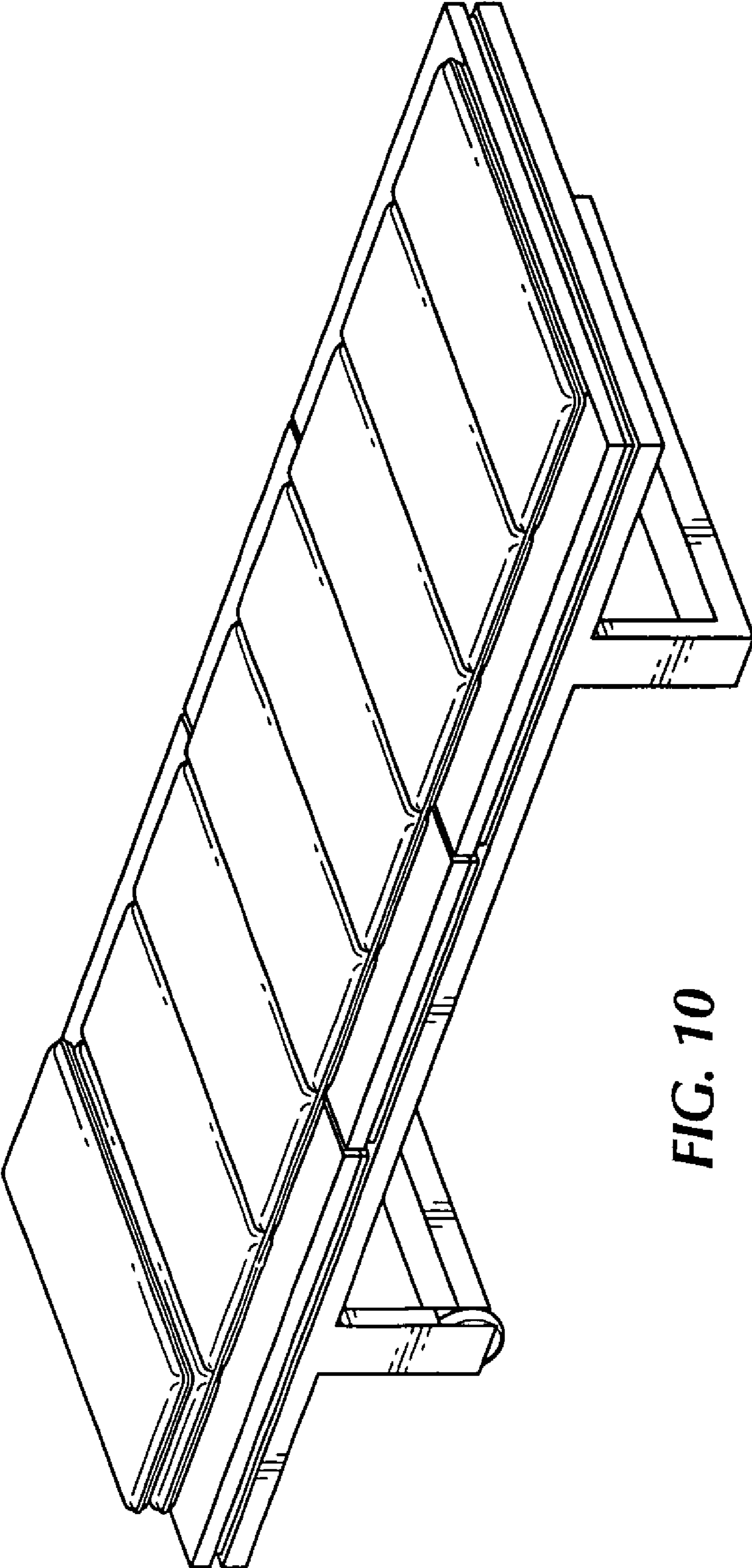


FIG. 9





**FIG. 10**