

US00D545074S

(12) **United States Design Patent**
Loew et al.

(10) **Patent No.:** **US D545,074 S**
(45) **Date of Patent:** **** Jun. 26, 2007**

(54) **INFANT CAR SEAT**

(75) Inventors: **Christopher Loew**, Palo Alto, CA (US); **Joseph Lishing Hei**, Palo Alto, CA (US); **Bryan Thomas White**, Fremont, CA (US)

(73) Assignee: **Orbit Baby, Inc.**, Newark, CA (US)

(**) Term: **14 Years**

(21) Appl. No.: **29/260,122**

(22) Filed: **May 20, 2006**

(51) **LOC (8) Cl.** **06-01**

(52) **U.S. Cl.** **D6/356**

(58) **Field of Classification Search** D6/333-356,
D6/374, 375, 379, 380; D14/172; 5/94,
5/118; 180/268; 280/30; 297/118, 130,
297/156.12, 173, 183.2, 216.11, 219.12, 219.16,
297/221, 256.13, 282, 406, 410
See application file for complete search history.

(56) **References Cited**

U.S. PATENT DOCUMENTS

- 4,501,032 A * 2/1985 Heath et al. 5/94
- 4,943,113 A * 7/1990 Meeker 297/256.16
- D311,822 S * 11/1990 Meeker D6/333
- 4,982,997 A * 1/1991 Knoedler et al. 297/296
- D325,132 S * 4/1992 Cone D6/333
- 5,143,419 A * 9/1992 Tepper et al. 297/183.3
- 5,207,476 A * 5/1993 Payne 297/183.3
- D347,121 S * 5/1994 Harper et al. D6/333

- 5,322,343 A * 6/1994 Parker et al. 297/183.3
- D369,911 S * 5/1996 Turner D6/333
- 5,575,530 A * 11/1996 Harper et al. 297/260.2
- D402,477 S * 12/1998 Cone, II D6/333
- 6,017,088 A * 1/2000 Stephens et al. 297/256.16
- D429,075 S * 8/2000 Cone, II D6/333
- 6,386,632 B1 * 5/2002 Goor et al. 297/216.11
- 2005/0264063 A1 * 12/2005 Babcock et al. 297/250.1

* cited by examiner

Primary Examiner—Sandra Snapp

Assistant Examiner—Karen Acker

(57) **CLAIM**

The ornamental design for an infant car seat, as shown and described.

DESCRIPTION

FIG. 1 is a front perspective view of an infant car seat, showing our new design;

FIG. 2 is a front elevation view thereof;

FIG. 3 is a rear elevation view thereof;

FIG. 4 is a left side elevation view thereof;

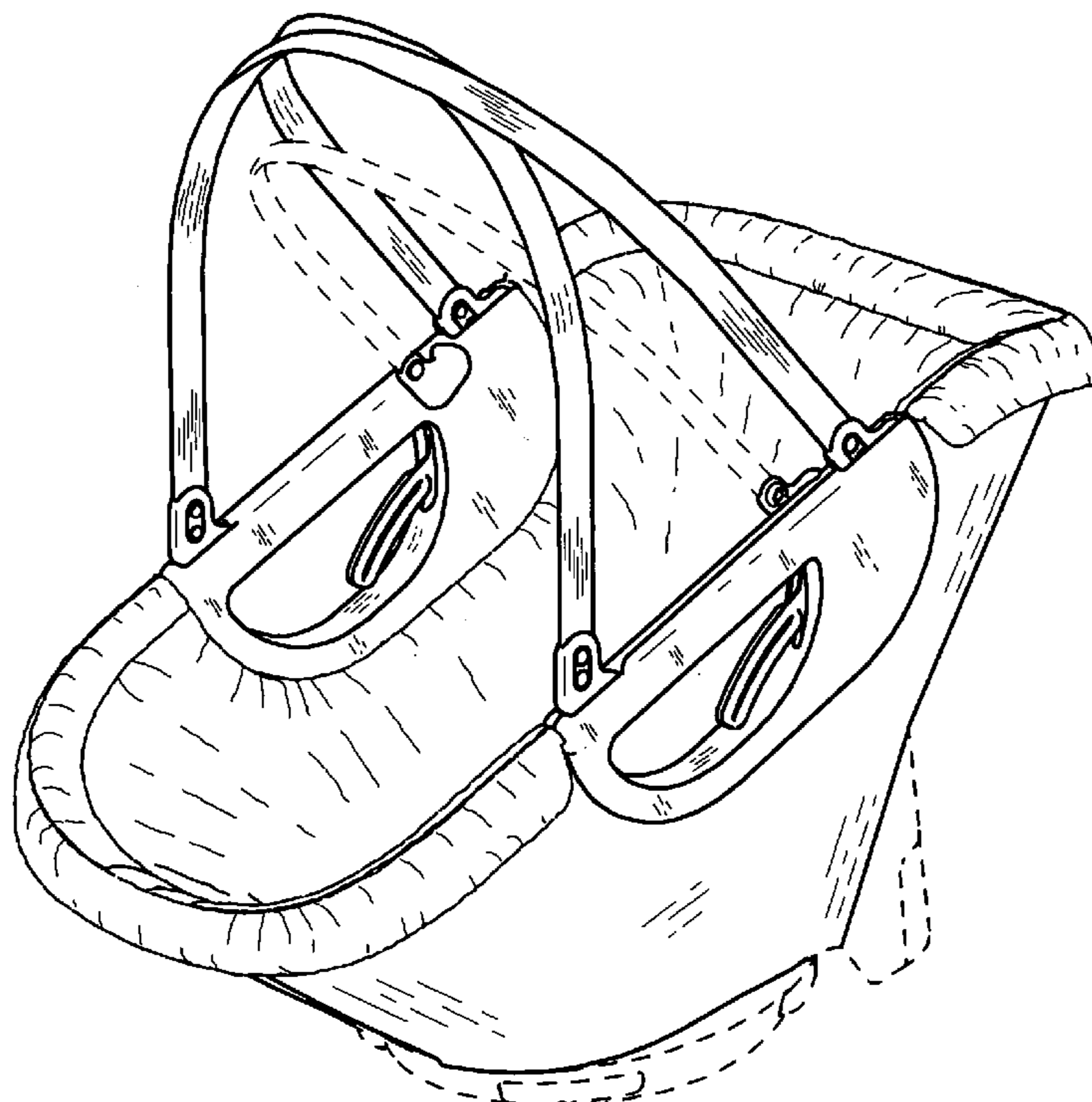
FIG. 5 is a right side elevation view thereof;

FIG. 6 is an overhead plan view thereof; and,

FIG. 7 is a bottom plan view thereof.

The features shown in broken lines are for illustrative purposes only and do not form part of the claimed design.

1 Claim, 7 Drawing Sheets



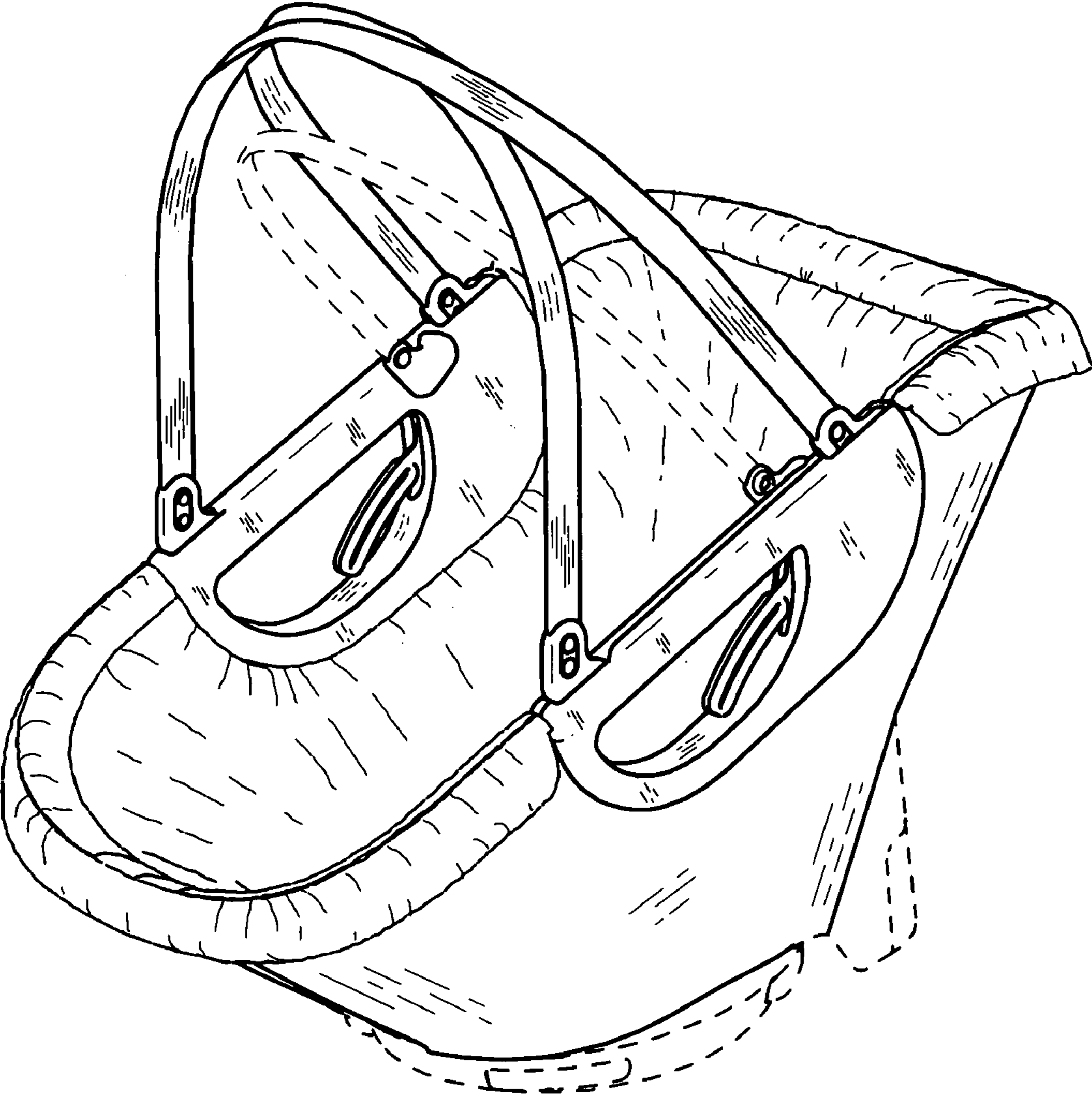


FIG. 1

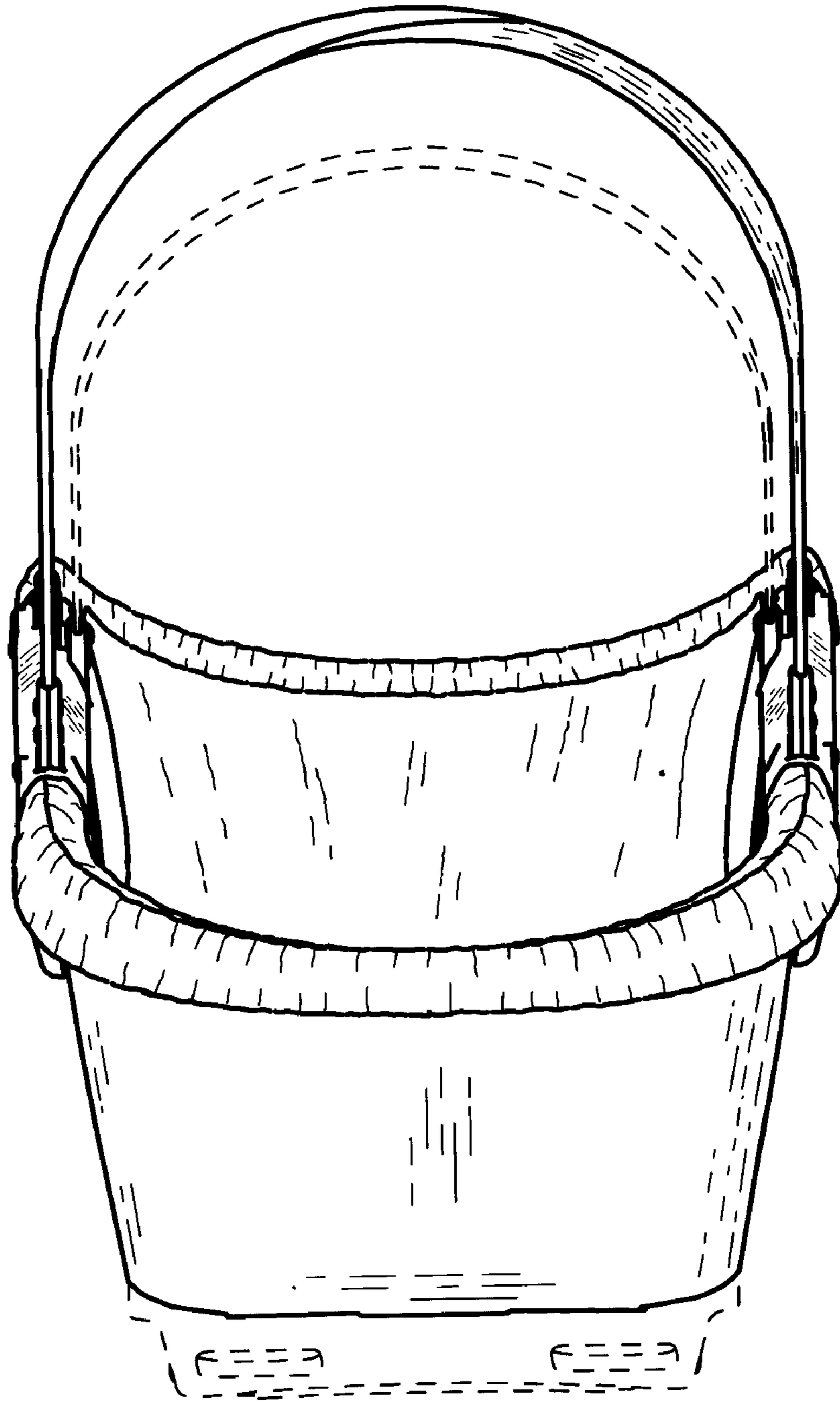


FIG. 2

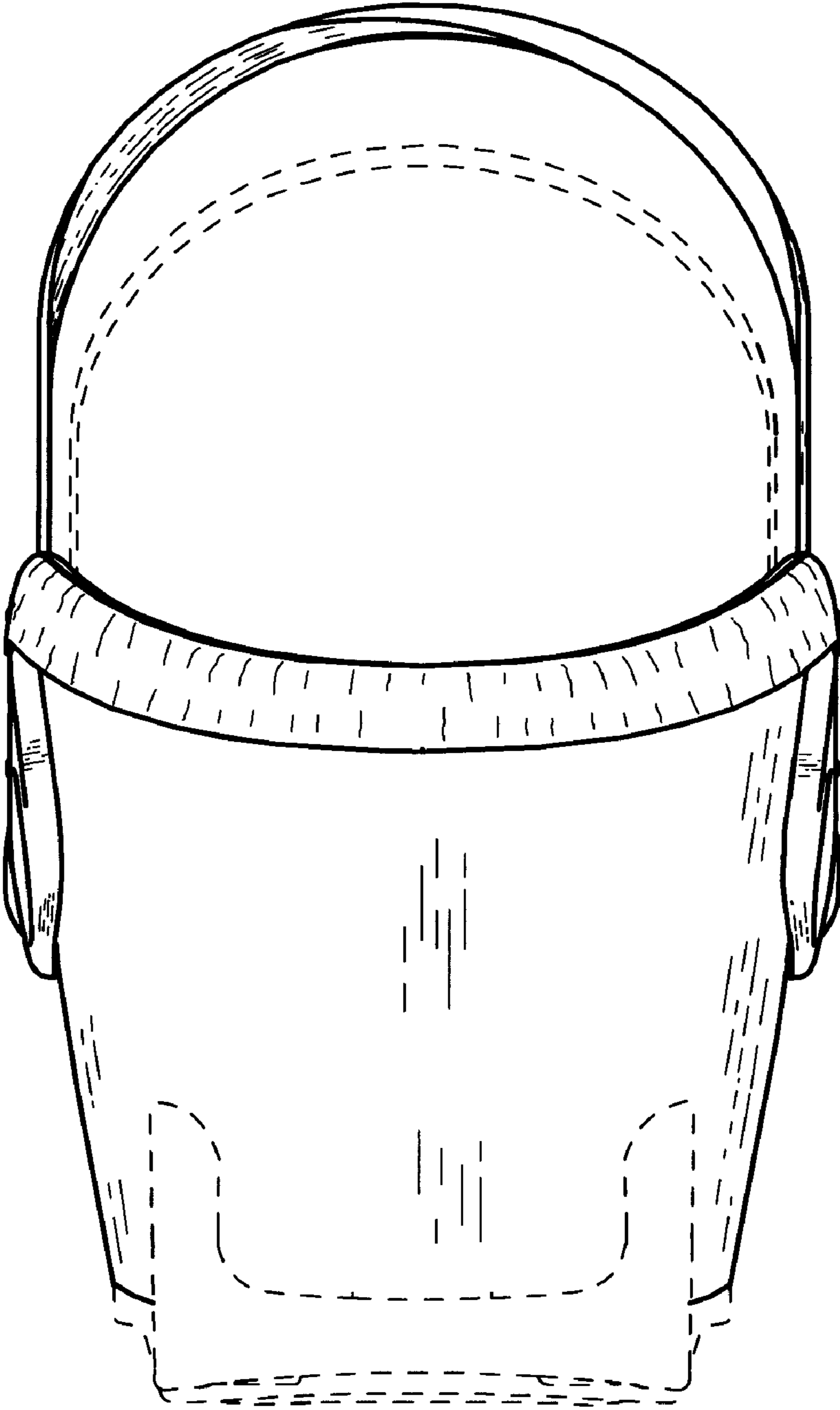


FIG. 3

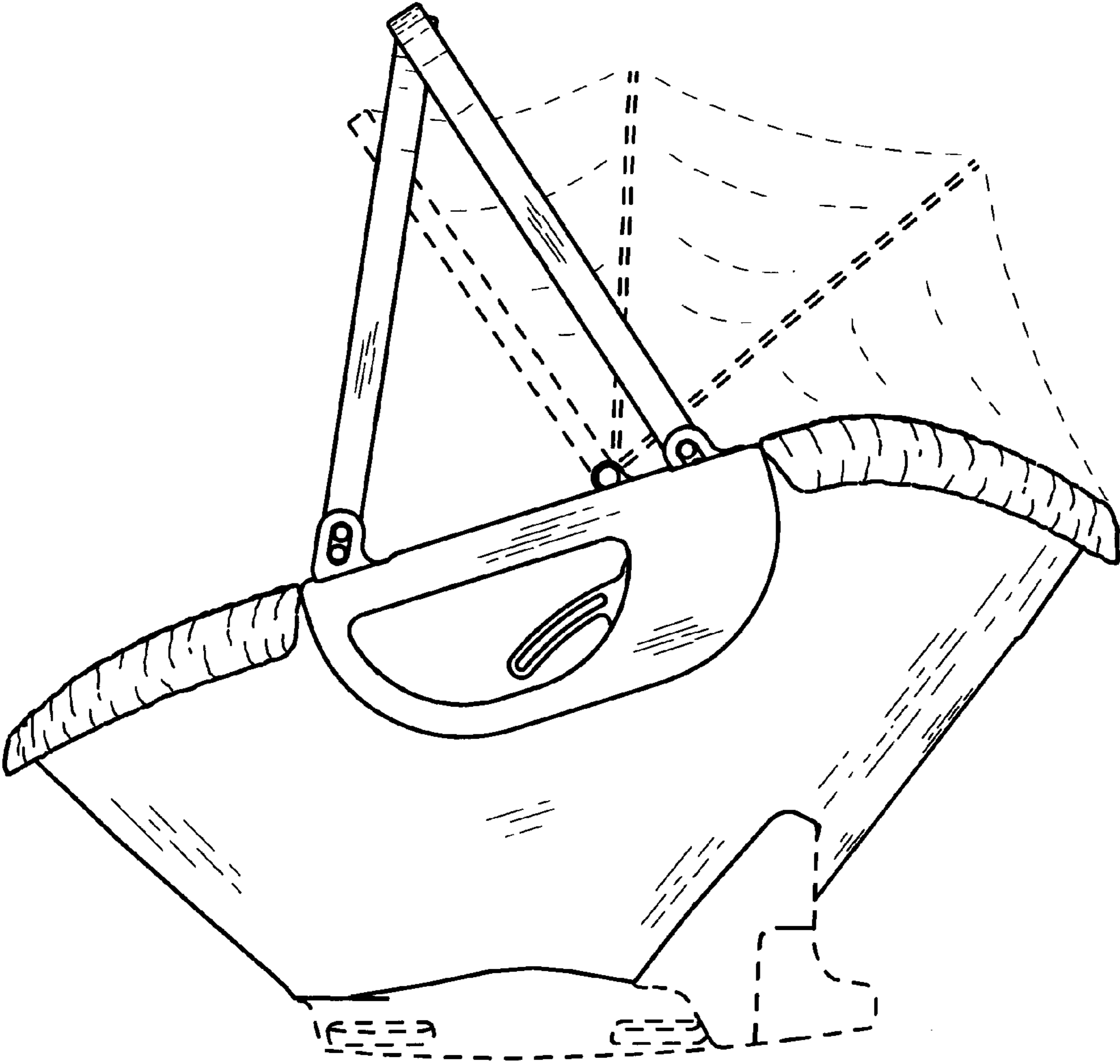


FIG. 4

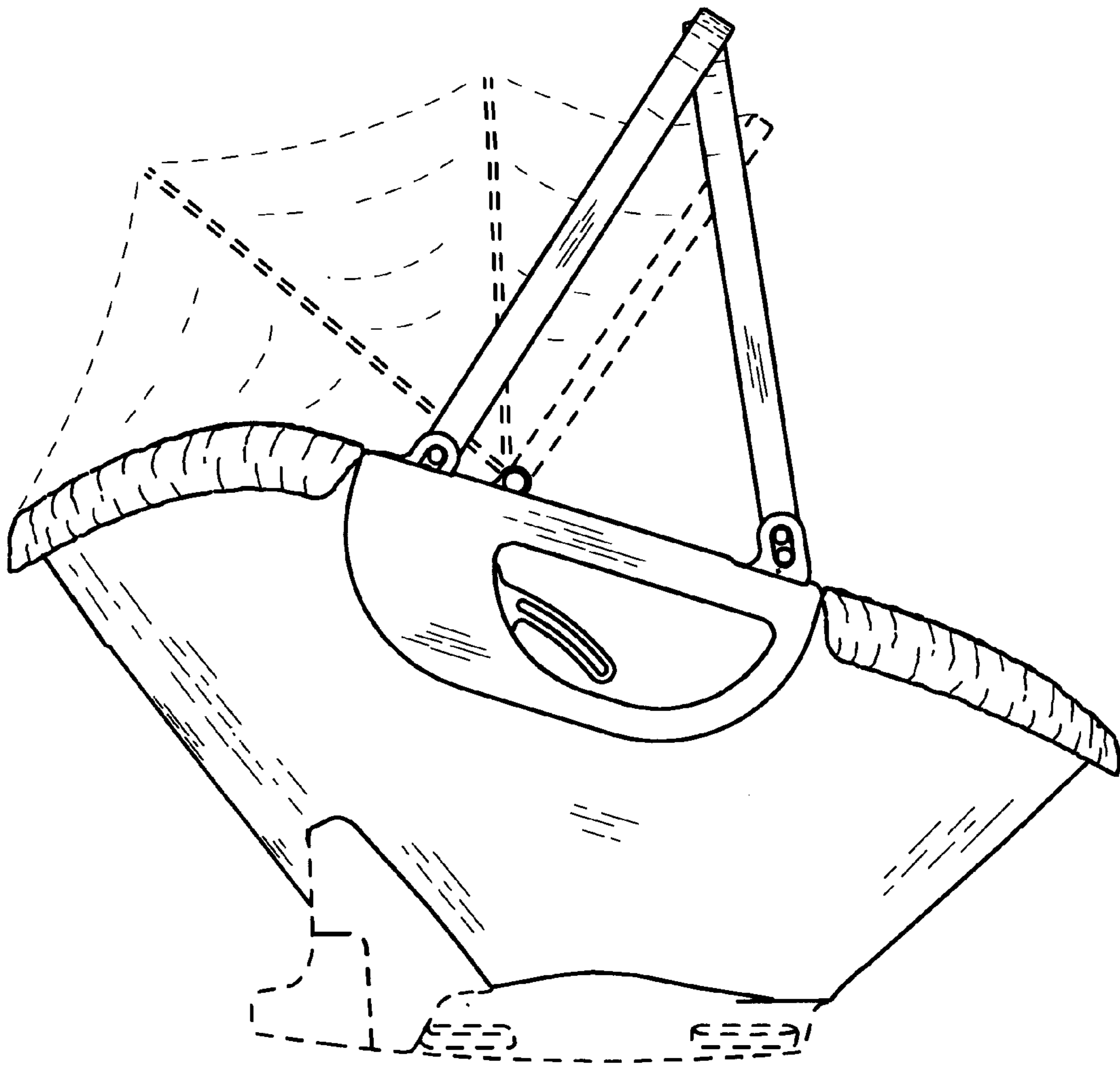


FIG. 5

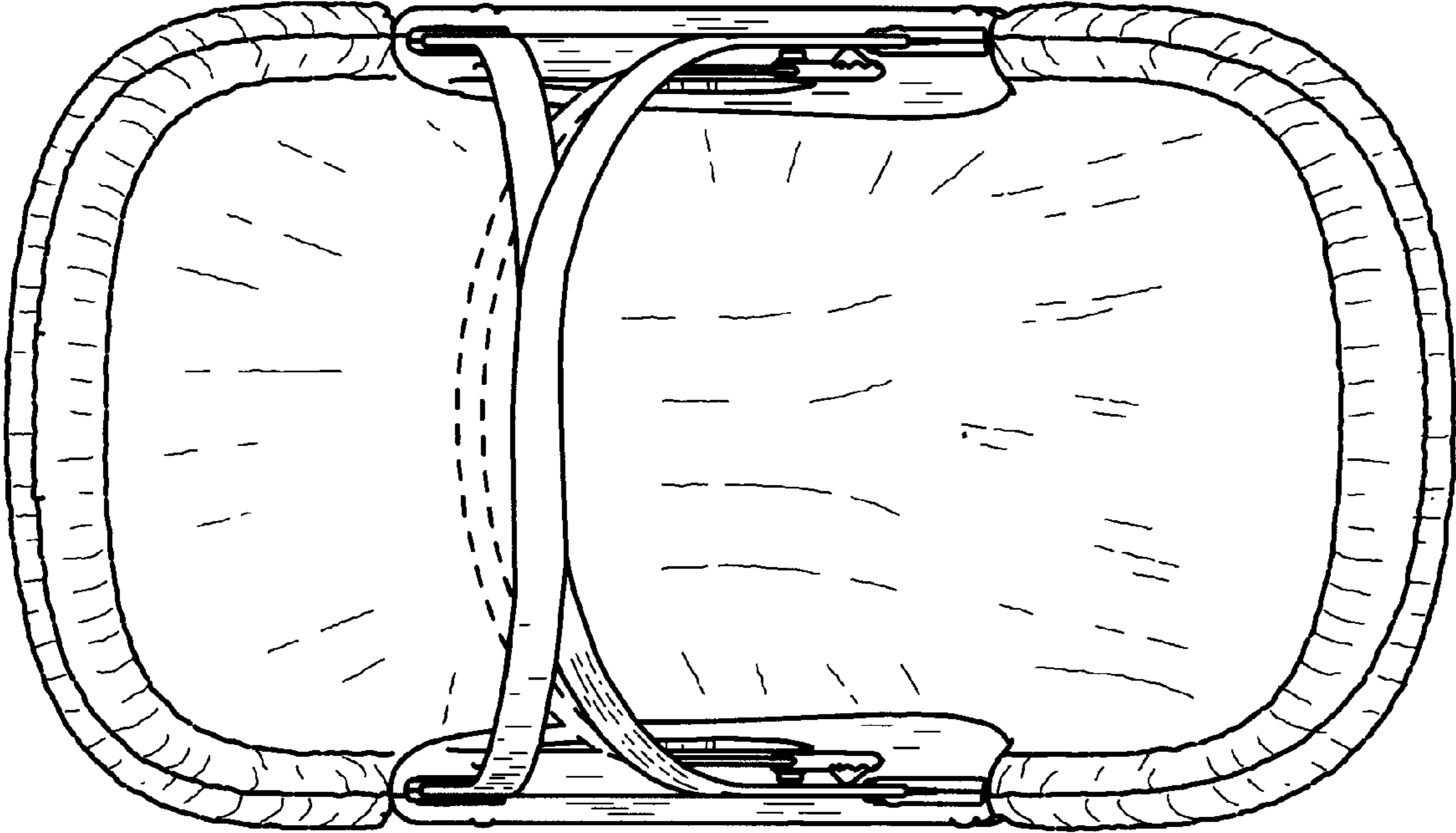


FIG. 6

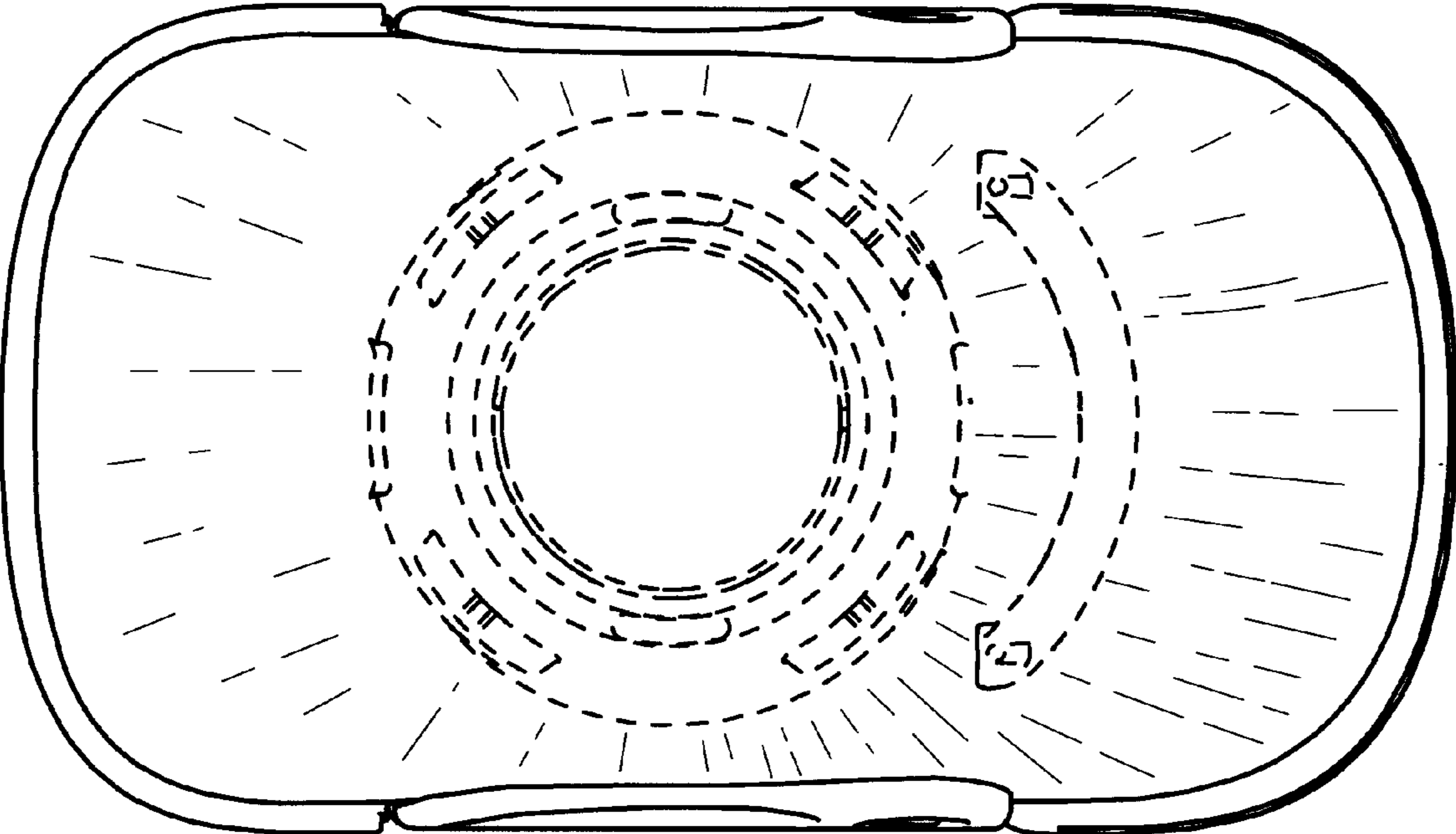


FIG. 7