

US00D545073S

(12) **United States Design Patent**
Hanagan

(10) **Patent No.:** **US D545,073 S**
(45) **Date of Patent:** **** Jun. 26, 2007**

(54) **MOTORCYCLE BACKREST AND GLOVE BOX**

(57) **CLAIM**

(75) Inventor: **Michael W. Hanagan**, Hollister, CA (US)

The ornamental design for a motorcycle backrest and glove box, as shown and described.

(73) Assignee: **Corbin Pacific, Inc.**, Hollister, CA (US)

DESCRIPTION

(**) Term: **14 Years**

(21) Appl. No.: **29/244,010**

(22) Filed: **Dec. 2, 2005**

(51) **LOC (8) Cl.** **12-11**

(52) **U.S. Cl.** **D6/354; D12/410**

(58) **Field of Classification Search** D12/110, D12/114, 119, 409, 410, 423; D6/335, 336, D6/354, 502; 224/400, 412, 413, 416, 427-431, 224/433, 275, 315, 42.11, 435; 296/37.1; 280/288.4, 304.5; 180/219; 297/195.1, 297/195.12, 215.1, 215.11, 217.1

See application file for complete search history.

FIG. 1 is a perspective view of a motorcycle backrest and glove box showing my new design with portion of a motorcycle being shown in phantom line;

FIG. 2 is a front elevational view thereof;

FIG. 3 is a side elevational view thereof with the post shown in phantom, the opposite side being the mirror image thereof;

FIG. 4 is a top view thereof;

FIG. 5 is a rear elevational view thereof with the post shown in phantom line; and,

FIG. 6 is a rear elevational view thereof with the cover of the glove box shown in the open position, and with several structural elements also shown in phantom line.

The broken lines adjacent to shaded areas on the glove box illustrate a boundary and the broken line boundary forms no part of the claimed design.

The broken lines in the backrest in all of the figures illustrate stitching.

The elements shown in phantom line in the drawing figures illustrate environment and form no part of the claimed design.

(56) **References Cited**

U.S. PATENT DOCUMENTS

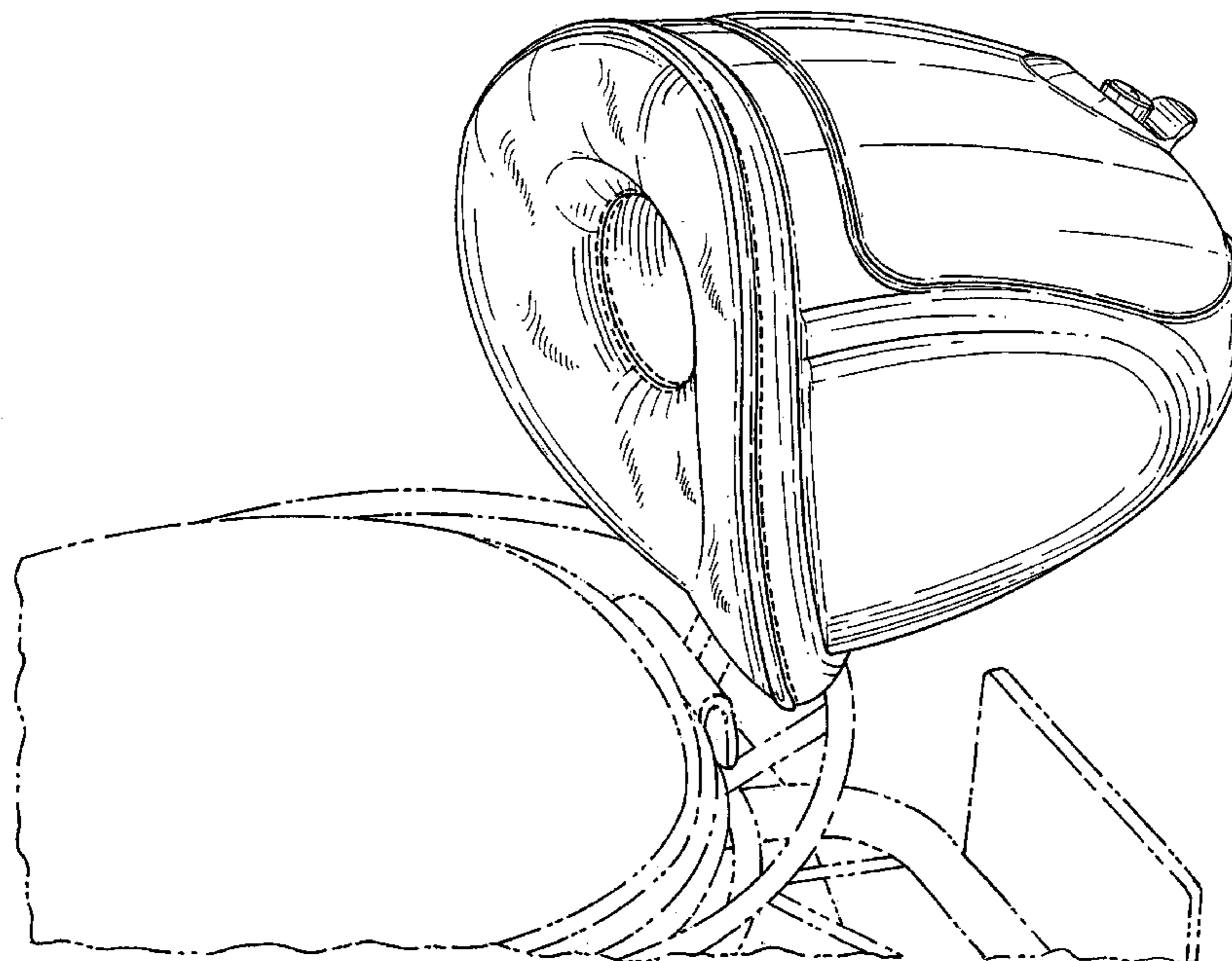
D236,974 S *	9/1975	Harris	D12/410
D241,331 S *	9/1976	Mattson et al.	D12/410
D276,712 S *	12/1984	Kashio et al.	D12/410
D489,540 S *	5/2004	Hanagan	D6/354
6,802,440 B1 *	10/2004	Stowell	224/413

* cited by examiner

Primary Examiner—Alan P. Douglas

Assistant Examiner—Linda Brooks

1 Claim, 6 Drawing Sheets



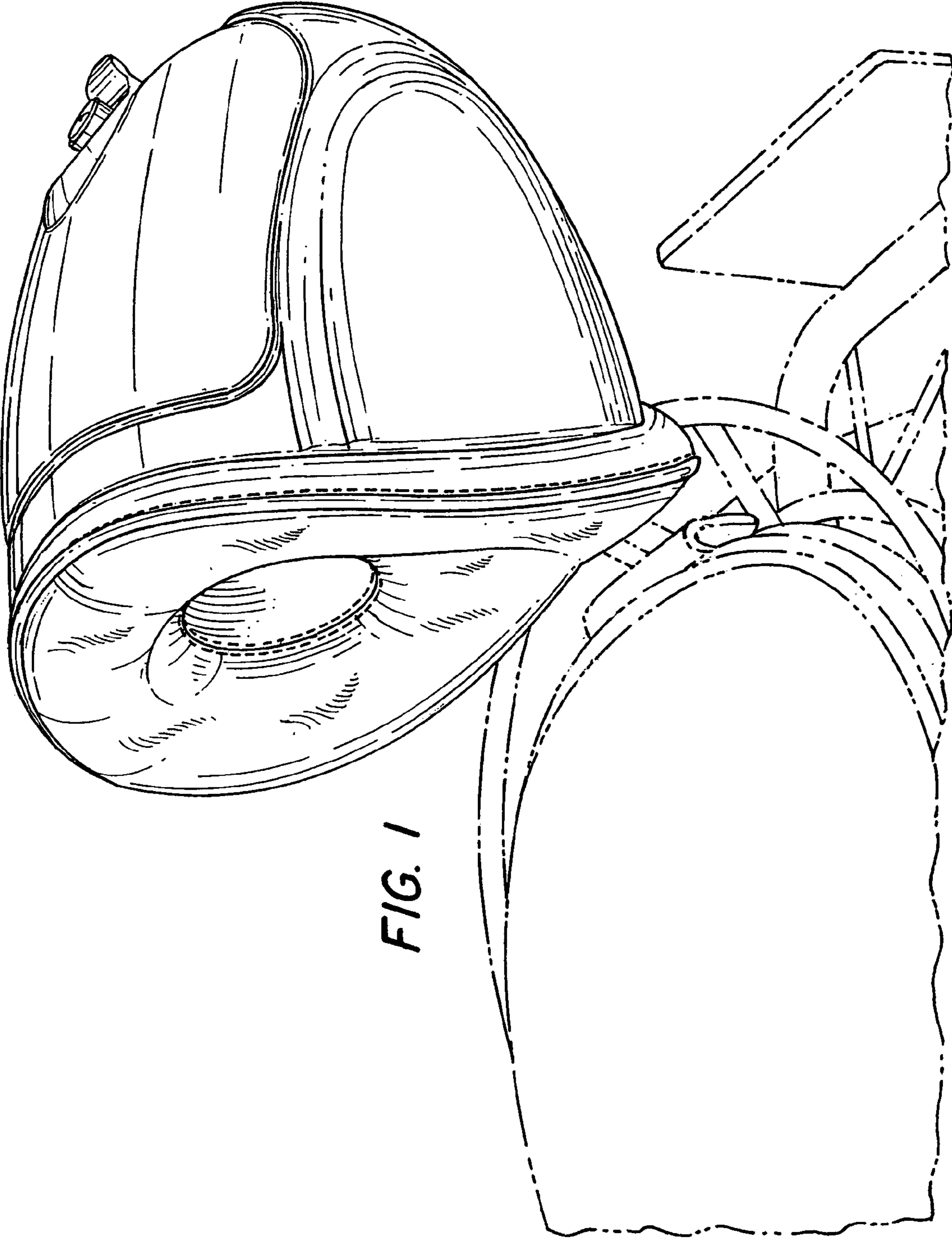
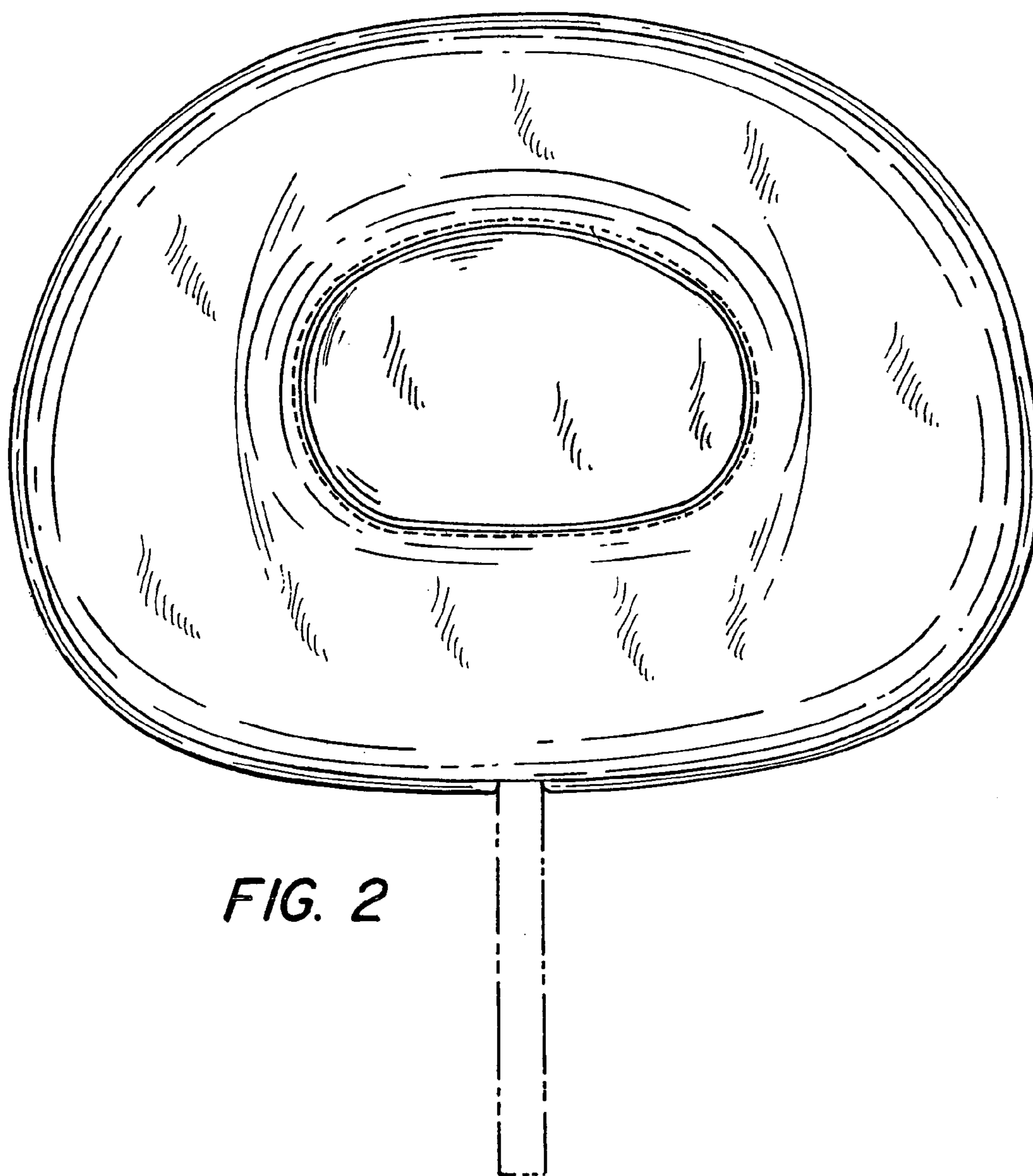


FIG. 1



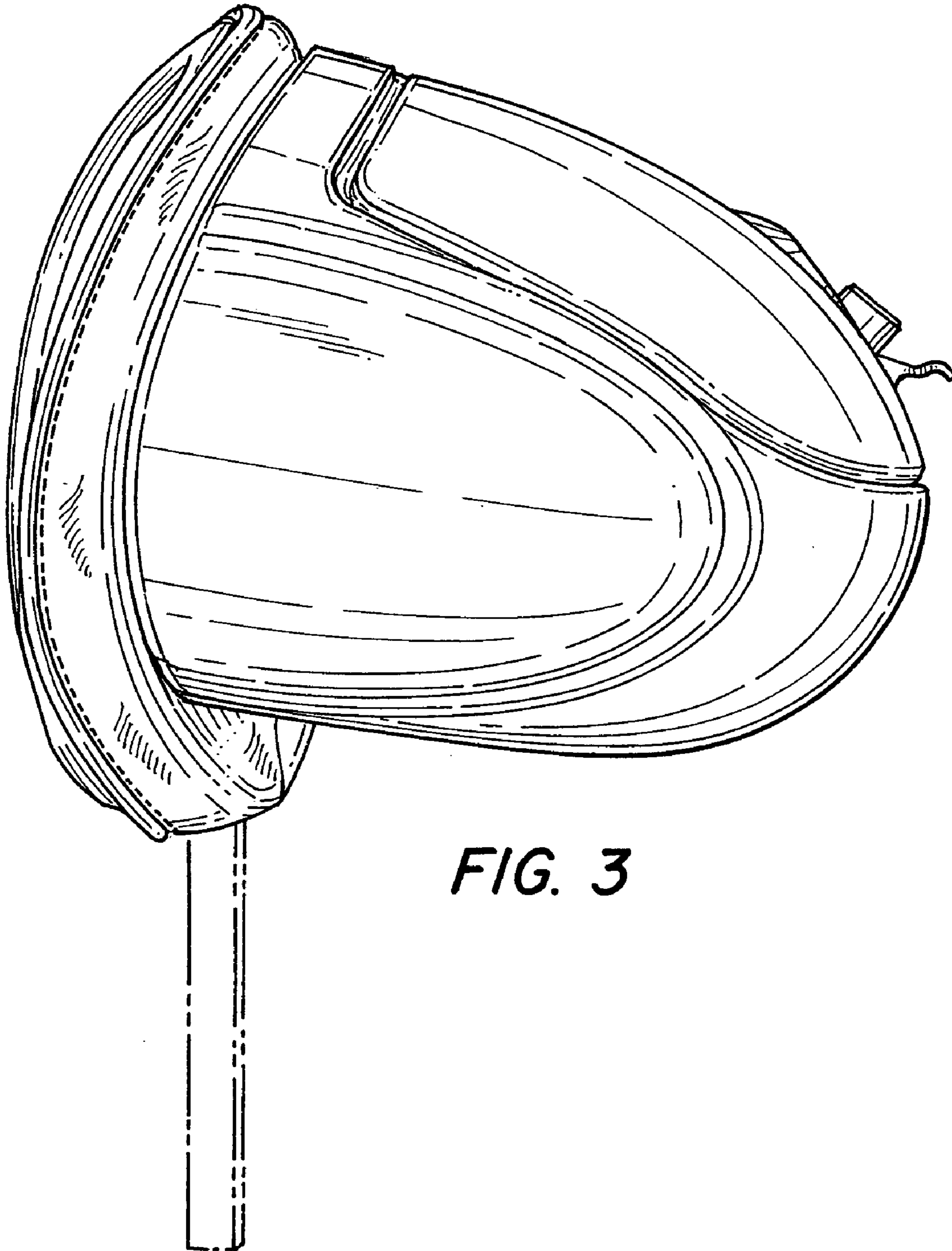


FIG. 3

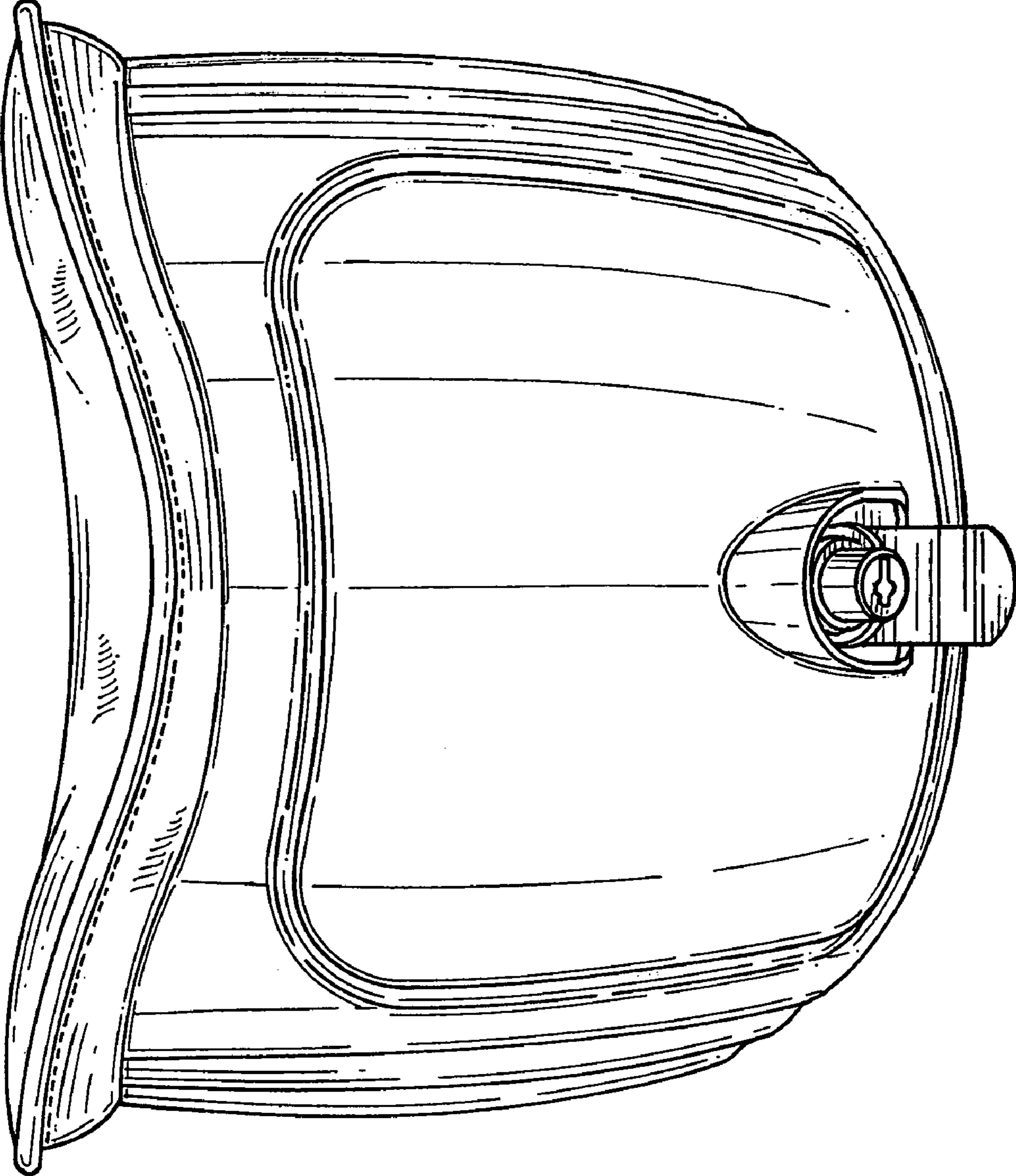


FIG. 4

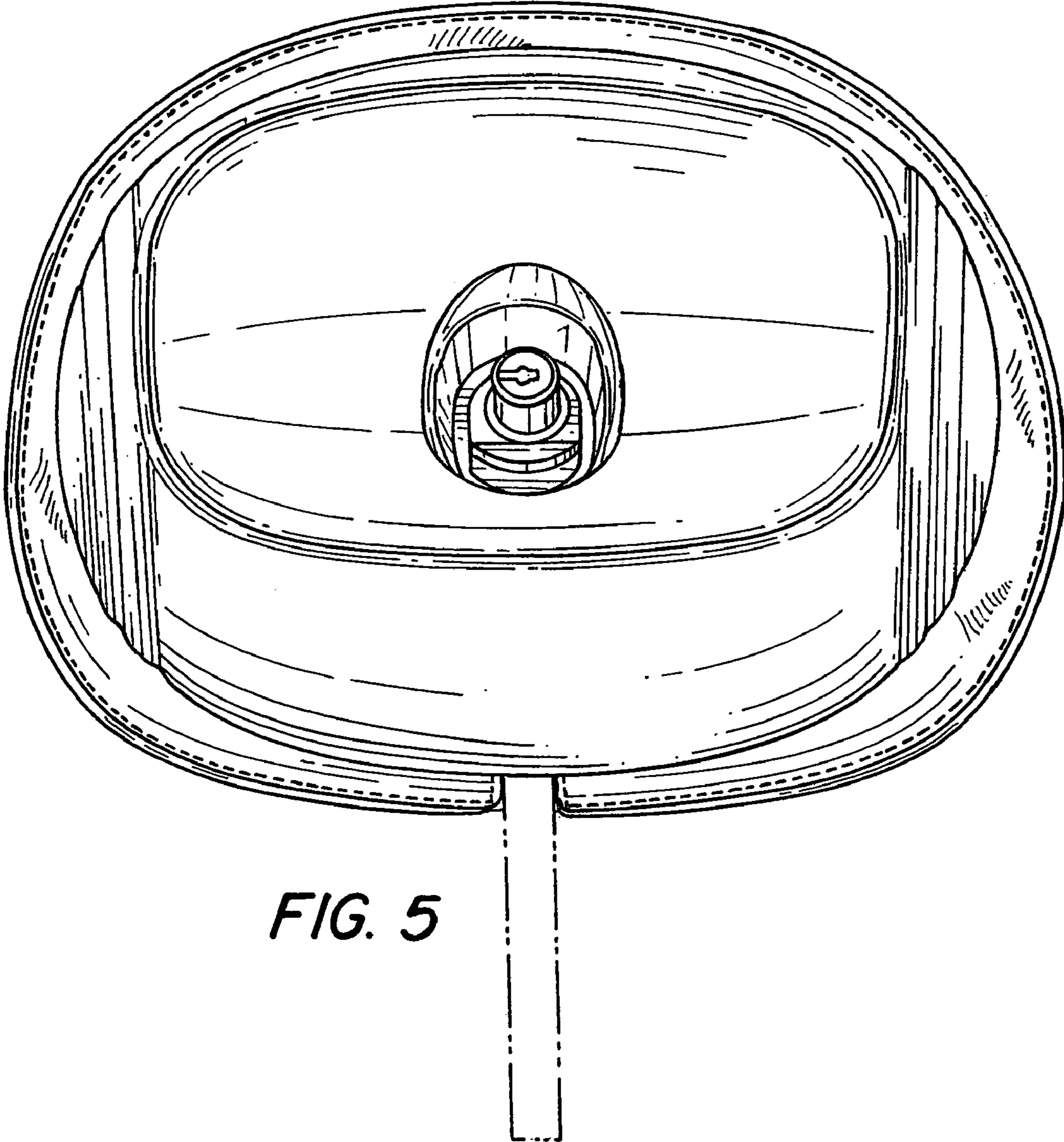


FIG. 5

