



US00D545070S

(12) **United States Design Patent**
Hutton

(10) **Patent No.:** **US D545,070 S**

(45) **Date of Patent:** **** Jun. 26, 2007**

- (54) **SEAT**
- (75) Inventor: **Jennifer Hutton**, New York, NY (US)
- (73) Assignee: **Donghia, Inc.**, New York, NY (US)
- (**) Term: **14 Years**
- (21) Appl. No.: **29/261,199**
- (22) Filed: **Jun. 9, 2006**

- (51) **LOC (8) Cl.** **06-01**
- (52) **U.S. Cl.** **D6/334**
- (58) **Field of Classification Search** D6/334,
D6/370, 374, 379-381, 500-502; 297/445.1,
297/446.1; 5/12.1

See application file for complete search history.

(56) **References Cited**

U.S. PATENT DOCUMENTS

2,891,255	A *	6/1959	Simmons	5/9.1
D186,308	S *	10/1959	Knoll	D6/334
2,979,122	A *	4/1961	Knoll	297/446.1
3,328,810	A *	7/1967	Berman	5/17
D251,938	S *	5/1979	Spound et al.	D6/334
D264,026	S *	4/1982	Mascheroni	D6/381
D264,027	S *	4/1982	Aronowitz et al.	D6/364
D268,797	S *	5/1983	Mascheroni	D6/371
D269,651	S *	7/1983	Blowers	D6/364
D275,342	S *	9/1984	Fister, Jr.	D6/364
D281,655	S *	12/1985	Carter	D6/334
D282,423	S *	2/1986	Carter	D6/449
D284,142	S *	6/1986	Raftery	D6/334
D313,893	S *	1/1991	Hopfer	D6/334
D327,174	S *	6/1992	Hopfer	D6/334
D336,377	S *	6/1993	Gibson	D6/334
D359,856	S	7/1995	Hutton	D6/334
D360,997	S	8/1995	Hutton	D6/381
D364,752	S	12/1995	Hutton	D6/334
D366,571	S	1/1996	Hutton	D6/361
D373,257	S	9/1996	Hutton	D6/381
D379,269	S	5/1997	Hutton	D6/334

D383,006	S	9/1997	Hutton	D6/334
D384,827	S *	10/1997	Hutton	D6/334
D390,017	S *	2/1998	Lewis	D6/334
D395,958	S	7/1998	Hutton	D6/334

(Continued)

OTHER PUBLICATIONS

Armless Sleeper, Conran's 1908 Catalog, 2 pgs.*

(Continued)

Primary Examiner—Sandra Snapp

(74) *Attorney, Agent, or Firm*—Heslin Rothenberg Farley & Mesiti P.C.

(57) **CLAIM**

The ornamental design for the seat, as shown and described.

DESCRIPTION

FIG. 1 is a perspective view of a seat comprising the new design;

FIG. 2 is a top view thereof;

FIG. 3 is a front view thereof;

FIG. 4 is a right side view thereof, where the left side view is a mirror image thereof;

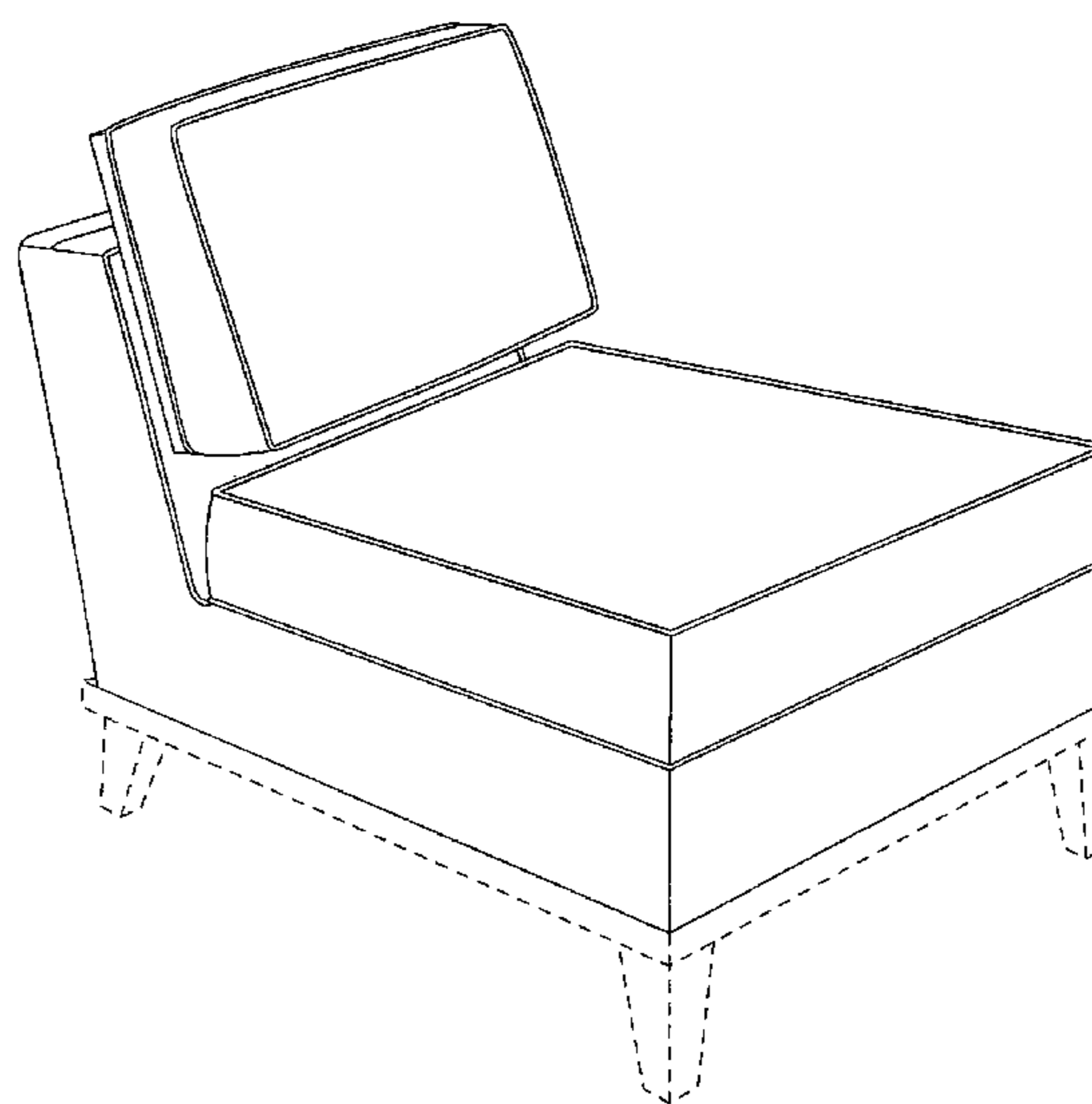
FIG. 5 is a rear view thereof;

FIG. 6 is a front view of an alternative embodiment of said new design, portions of which are cut away to illustrate indeterminate width, which is the sole difference between it and FIGS. 1-6; and,

FIG. 7 is a right side view of an alternative embodiment of said new design, portions of which are cut away to illustrate indeterminate depth, which is the sole difference between it and FIGS. 1-6.

The broken lines in the figures are for illustrative purposes only and form no part of the claimed invention.

1 Claim, 7 Drawing Sheets



US D545,070 S

Page 2

U.S. PATENT DOCUMENTS

D400,015 S 10/1998 Hutton D6/334
D403,167 S 12/1998 Hutton D6/334
D404,210 S 1/1999 Hutton D6/361
D404,212 S 1/1999 Hutton D6/381
D406,955 S * 3/1999 Hutton D6/381
D407,231 S 3/1999 Hutton D6/381
D423,244 S 4/2000 Hutton D6/381
D433,824 S * 11/2000 King D6/334
D437,141 S 2/2001 Hutton D6/381
D437,142 S 2/2001 Hutton D6/381
D437,502 S 2/2001 Hutton D6/381
D439,071 S 3/2001 D'Urso et al. D6/381
D439,432 S 3/2001 Hutton D6/381
D441,978 S 5/2001 Hutton D6/381
D442,374 S 5/2001 Hutton D6/334
D442,385 S 5/2001 Hutton D6/379

D442,787 S 5/2001 Hutton D6/334
D446,029 S 8/2001 Hutton D6/334
D446,395 S 8/2001 Hutton D6/334
D498,064 S * 11/2004 Gomez D6/334
D504,781 S 5/2005 Suzuki et al. D6/334
D505,560 S 5/2005 Hutton et al. D6/361
D511,415 S * 11/2005 Pessa D6/334
D518,654 S * 4/2006 Pessa D6/334

OTHER PUBLICATIONS

Natuzzi sofa #1819, International Home Furnishings Market, High Point, NC, Apr. 1999, 1 pg.*

Pages from *Fifties Furniture by Paul McCobb: Directional Designs*; © 1956 by Directional Furniture Showrooms Incorporated.

* cited by examiner

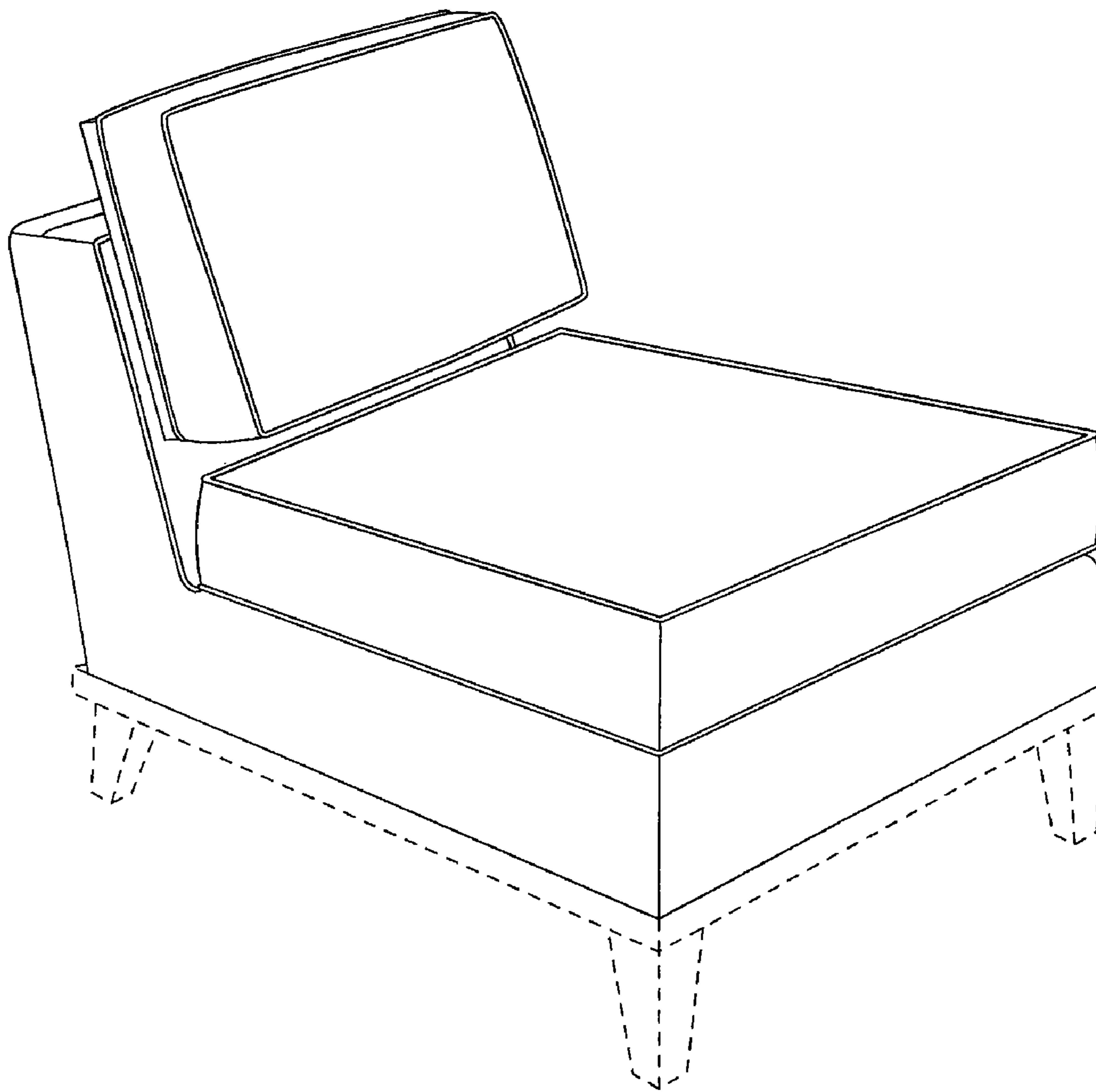


FIG. 1

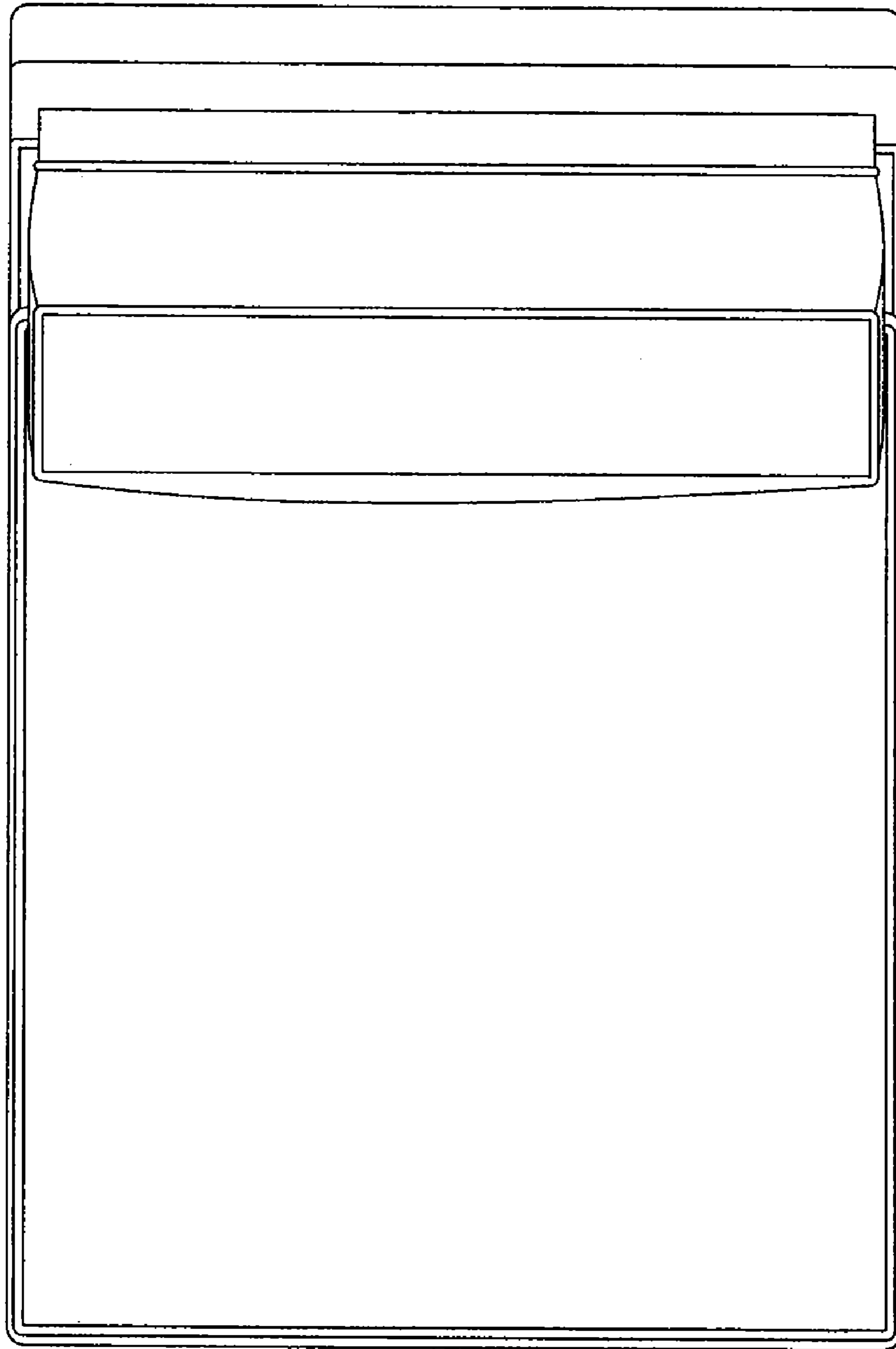


FIG. 2

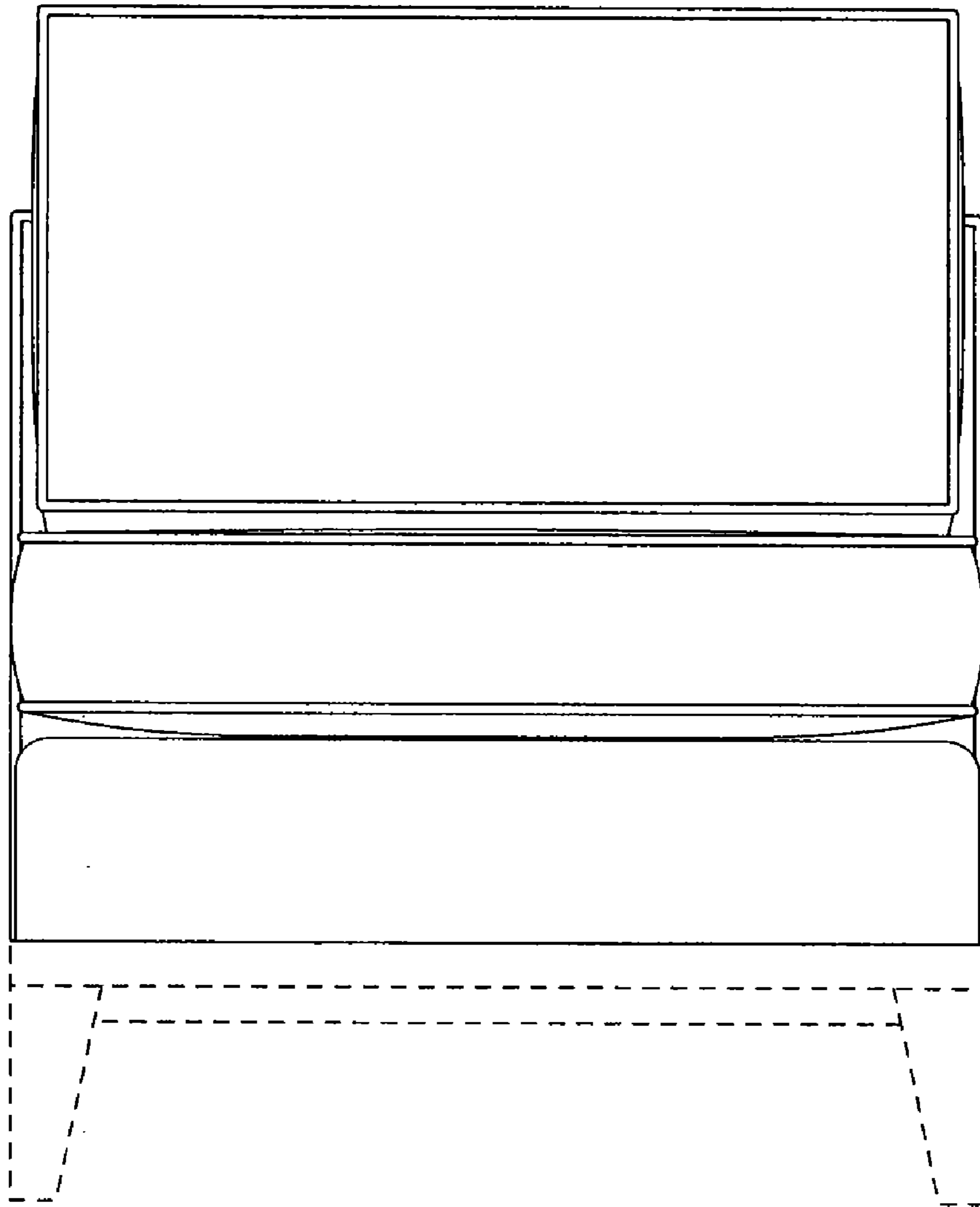


FIG. 3

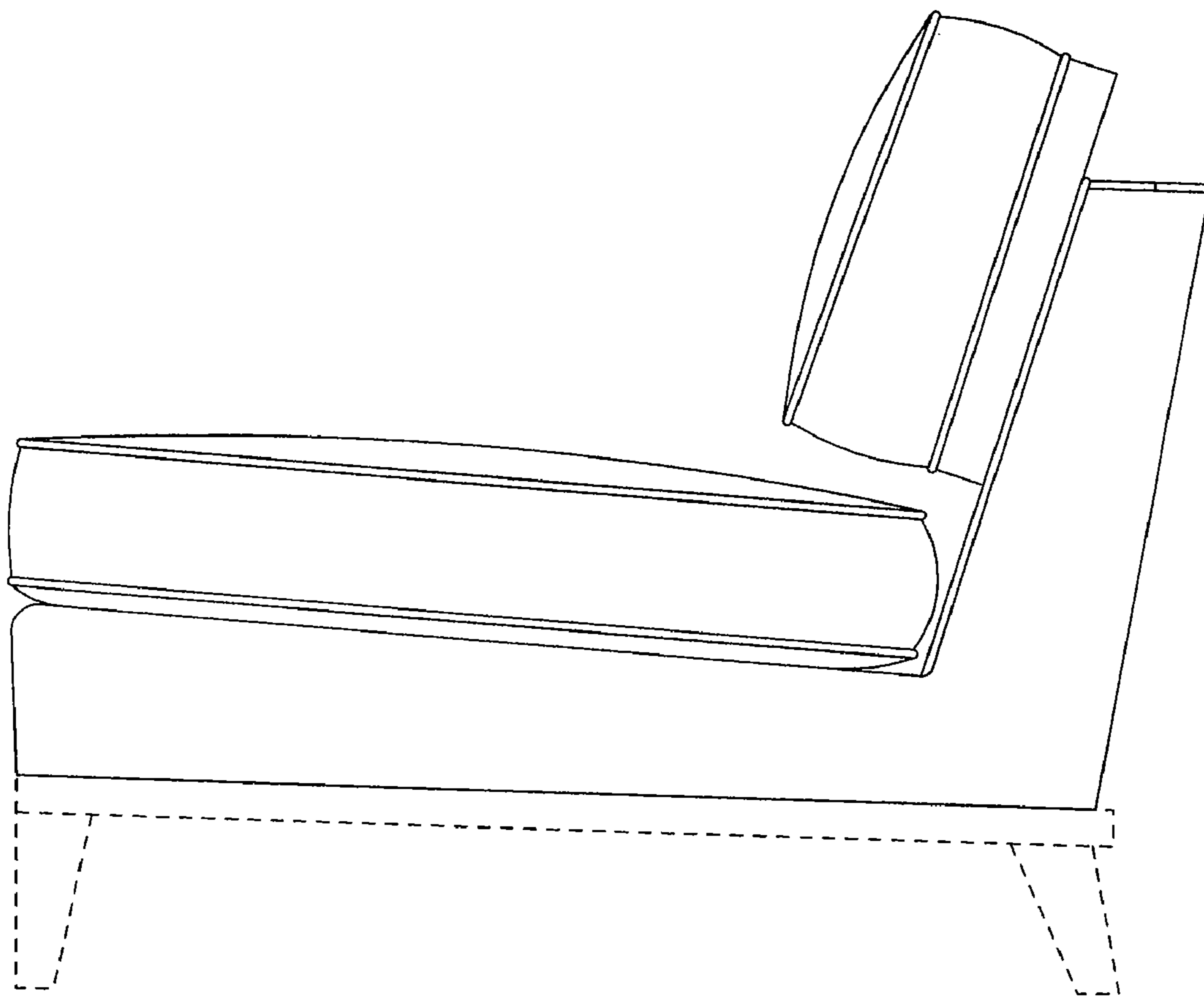


FIG. 4

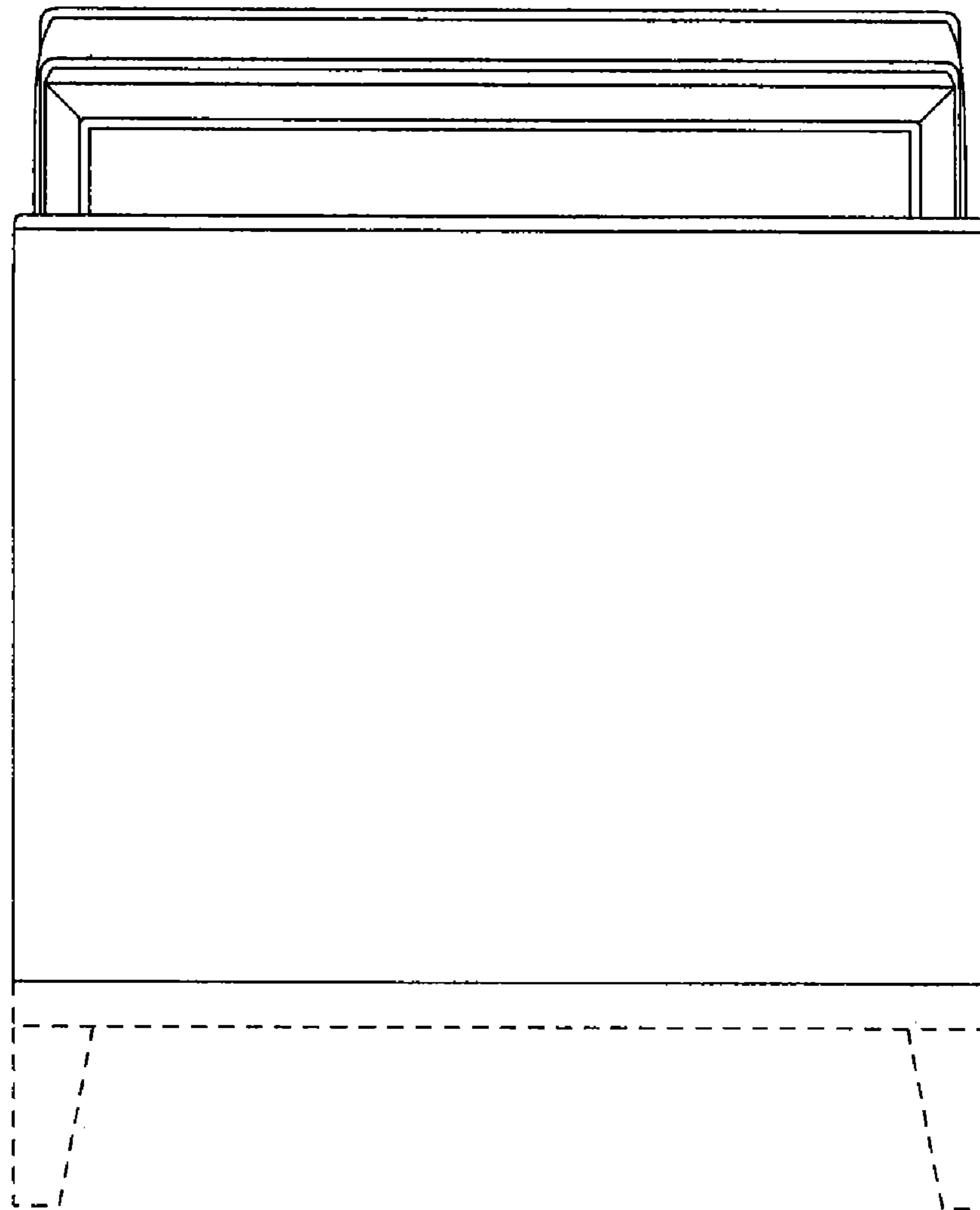


FIG. 5

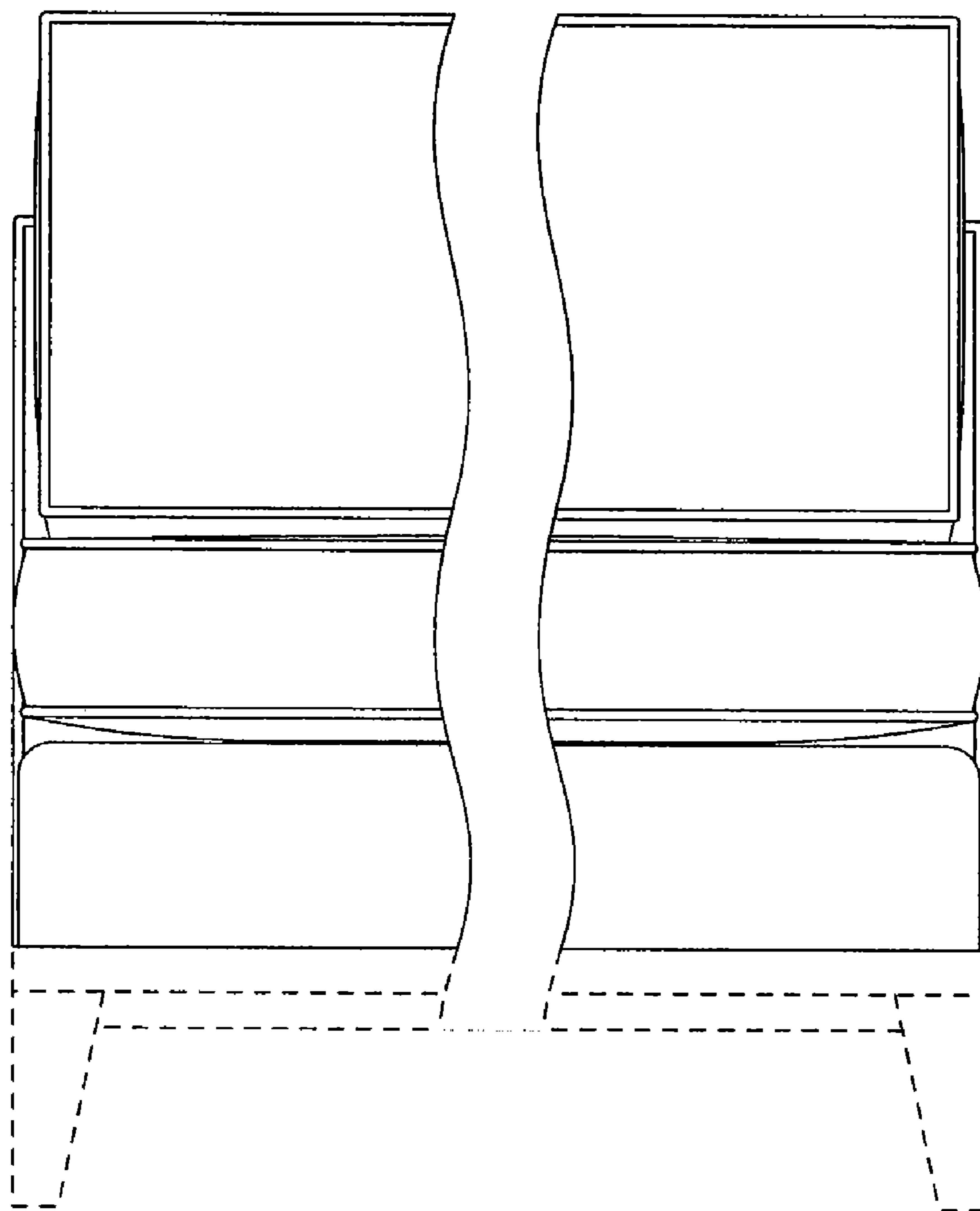


FIG. 6

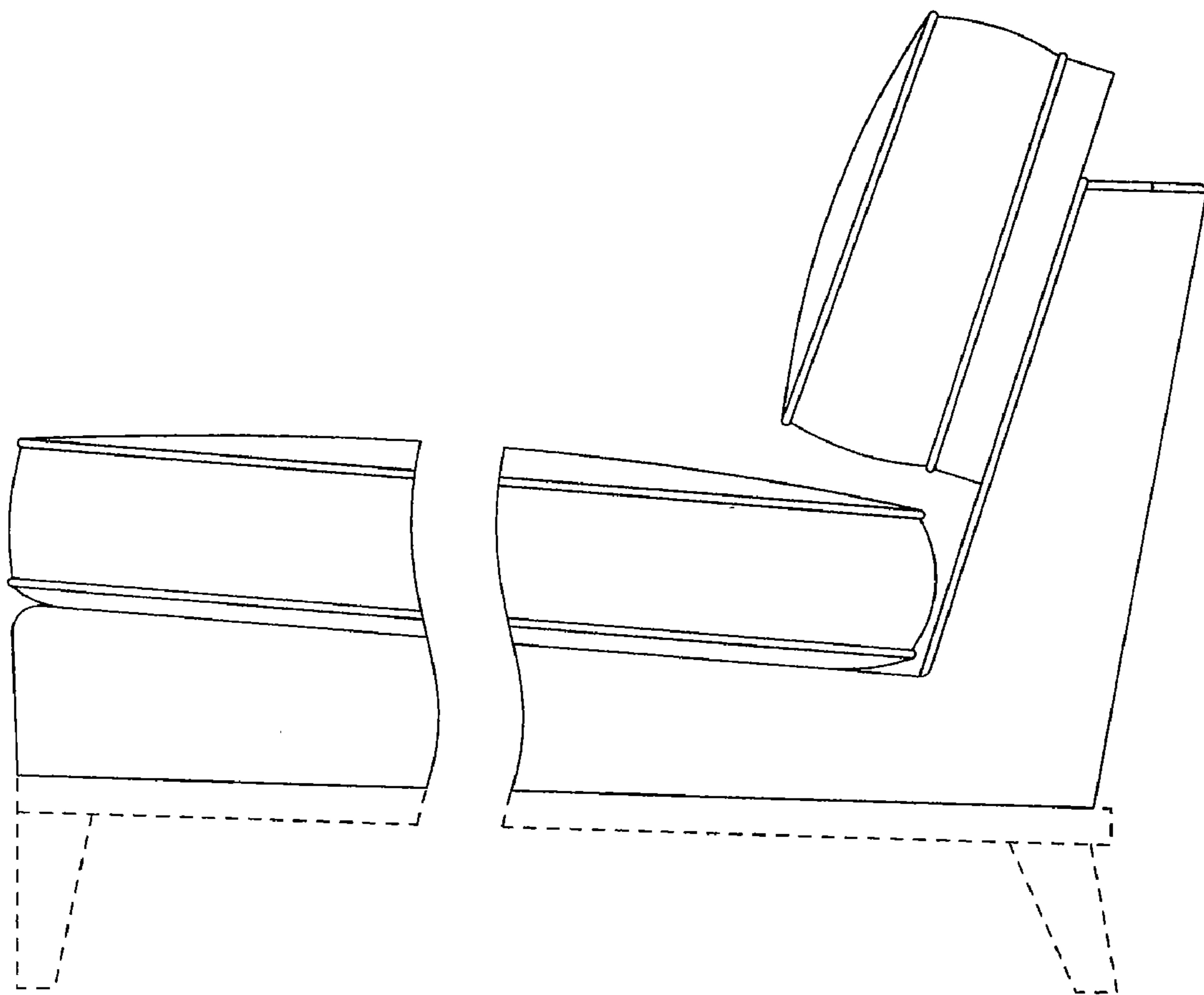


FIG. 7

UNITED STATES PATENT AND TRADEMARK OFFICE
CERTIFICATE OF CORRECTION

PATENT NO. : Des. 545,070 S
APPLICATION NO. : 29/261199
DATED : June 26, 2007
INVENTOR(S) : Hutton

Page 1 of 1

It is certified that error appears in the above-identified patent and that said Letters Patent is hereby corrected as shown below:

Title Page, line 11, col 2, delete "FIGS. 1-6" and insert -- FIGS. 1-5 --

Title Page, line 15, delete "FIGS. 1-6" and insert -- FIGS. 1-5 --

Signed and Sealed this

Twenty-first Day of August, 2007

A handwritten signature in black ink on a light gray dotted background. The signature reads "Jon W. Dudas" in a cursive style.

JON W. DUDAS

Director of the United States Patent and Trademark Office